



US00D785925S

(12) **United States Design Patent** (10) **Patent No.:** **US D785,925 S**
Gholston et al. (45) **Date of Patent:** **** May 9, 2017**

(54) **THREAD SPOOL HOLDER AND DISPENSER**

(71) Applicants: **Alma Gholston**, Santa Clarita, CA
(US); **Brian Gholston**, Santa Clarita,
CA (US)

(72) Inventors: **Alma Gholston**, Santa Clarita, CA
(US); **Brian Gholston**, Santa Clarita,
CA (US)

(**) Term: **15 Years**

(21) Appl. No.: **29/530,959**

(22) Filed: **Jun. 22, 2015**

(51) **LOC (10) Cl.** **02-07**

(52) **U.S. Cl.**
USPC **D3/24**

(58) **Field of Classification Search**
USPC D3/18, 20, 21, 23, 24, 26; D6/515, 518,
D6/521; 242/134, 138, 139, 140, 141
CPC B65H 2701/31; A01K 97/06; D05B 91/14;
D05B 3/06
See application file for complete search history.

(56) **References Cited**

U.S. PATENT DOCUMENTS

D41,860 S *	10/1911	Mowrey et al.	D3/24
D46,078 S *	7/1914	Wardwell et al.	D3/24
D92,522 S *	6/1934	Chinn et al.	D3/21
D96,363 S *	7/1935	Arnold et al.	211/59.1
D103,187 S *	2/1937	Reynolds et al.	D3/21
D121,721 S *	7/1940	Ligh et al.	D3/18
2,222,039 A *	11/1940	Mahoney B65H 55/04	242/118.3
D127,614 S *	6/1941	Bishop et al.	D15/78
D134,208 S *	10/1942	McCrary et al.	D3/21
2,410,018 A *	10/1946	D Arcy D04B 3/06	242/139

2,491,585 A *	12/1949	Sammons A47F 13/04	242/130
D161,617 S *	1/1951	Faeder et al.	D3/21
D162,164 S *	2/1951	Hill et al.	D3/21
D239,070 S *	3/1976	Gray D3/20	
D306,795 S *	3/1990	Akin 223/106	
D333,559 S *	3/1993	Rowley D3/25	
D337,430 S *	7/1993	Gaither D3/23	
D351,724 S *	10/1994	Roberts D11/160	
D450,442 S *	11/2001	Leonard D3/18	
D565,608 S *	4/2008	Hirate D15/72	
D573,787 S *	7/2008	Sweet D3/23	
D632,705 S *	2/2011	Fujihara D15/66	
D752,339 S *	3/2016	Hoover D3/23	

* cited by examiner

Primary Examiner — John Windmuller
Assistant Examiner — Steven Czyz

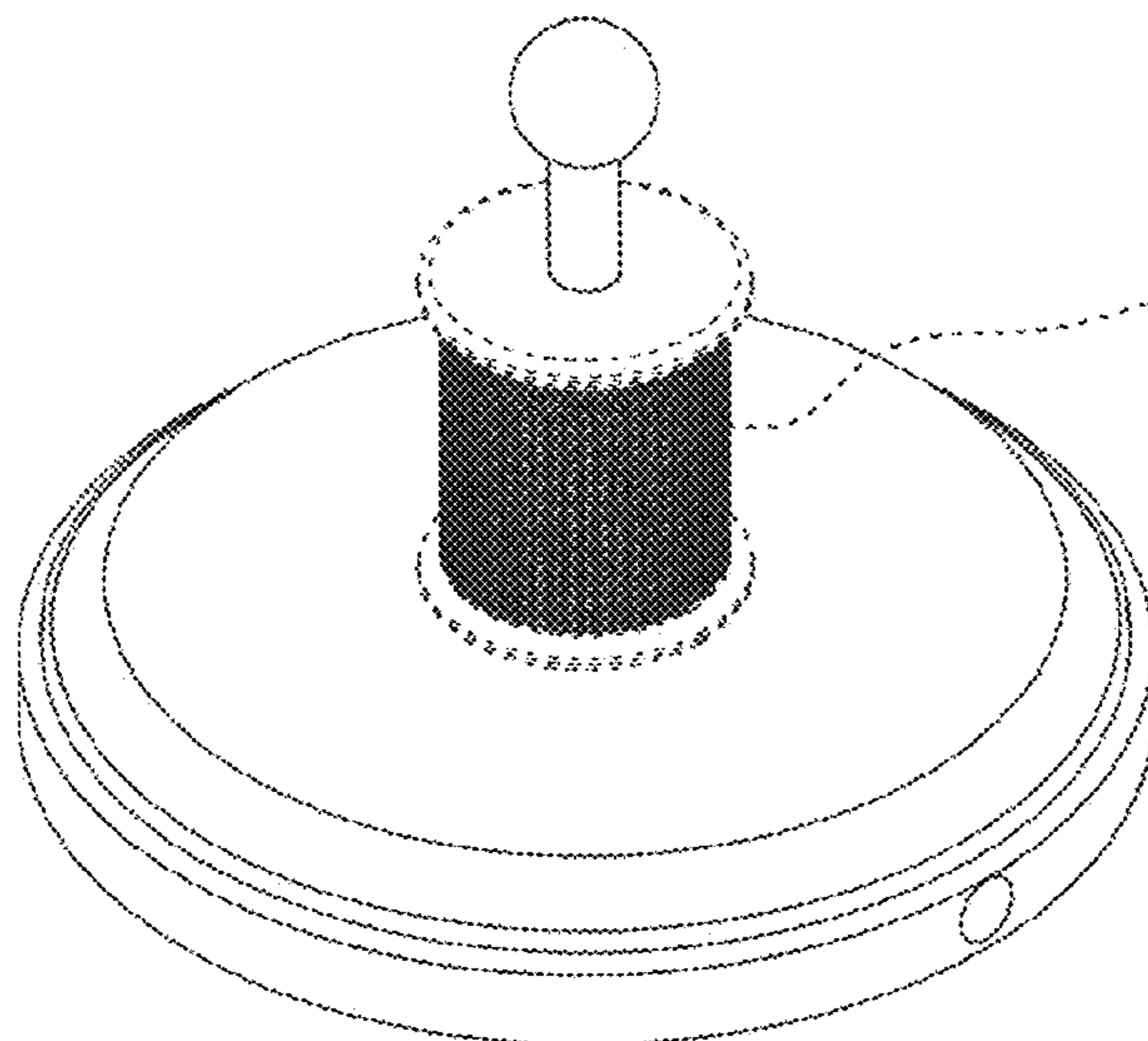
(57) **CLAIM**

The ornamental design for a thread spool holder and dispenser, as shown and described.

DESCRIPTION

FIG. 1 is a perspective view of a thread spool holder and dispenser showing our new design;
 FIG. 2 is another perspective view shown without environment, and the thread spool holder in an alternate state;
 FIG. 3 is a side elevation view of the thread spool holder and dispenser;
 FIG. 4 is a top plan view thereof;
 FIG. 5 is a bottom plan view thereof;
 FIG. 6 is a top plan view shown with the thread spool holder in an alternate state; and,
 FIG. 7 is a cross-sectional view taken along the line 7-7 of FIG. 3.
 The broken lines depict environment that forms no part of the claimed design.

1 Claim, 4 Drawing Sheets



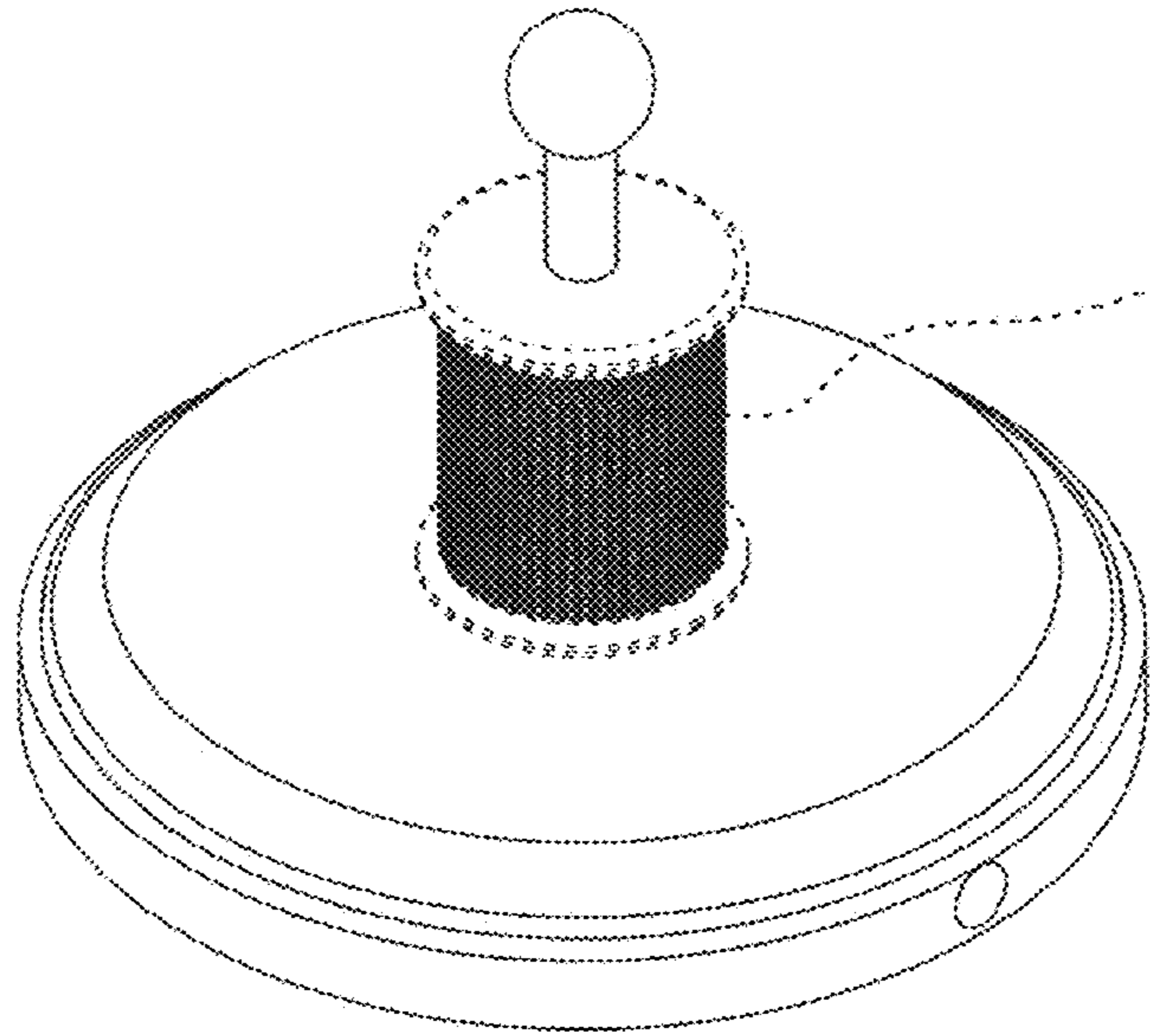


FIG. 1

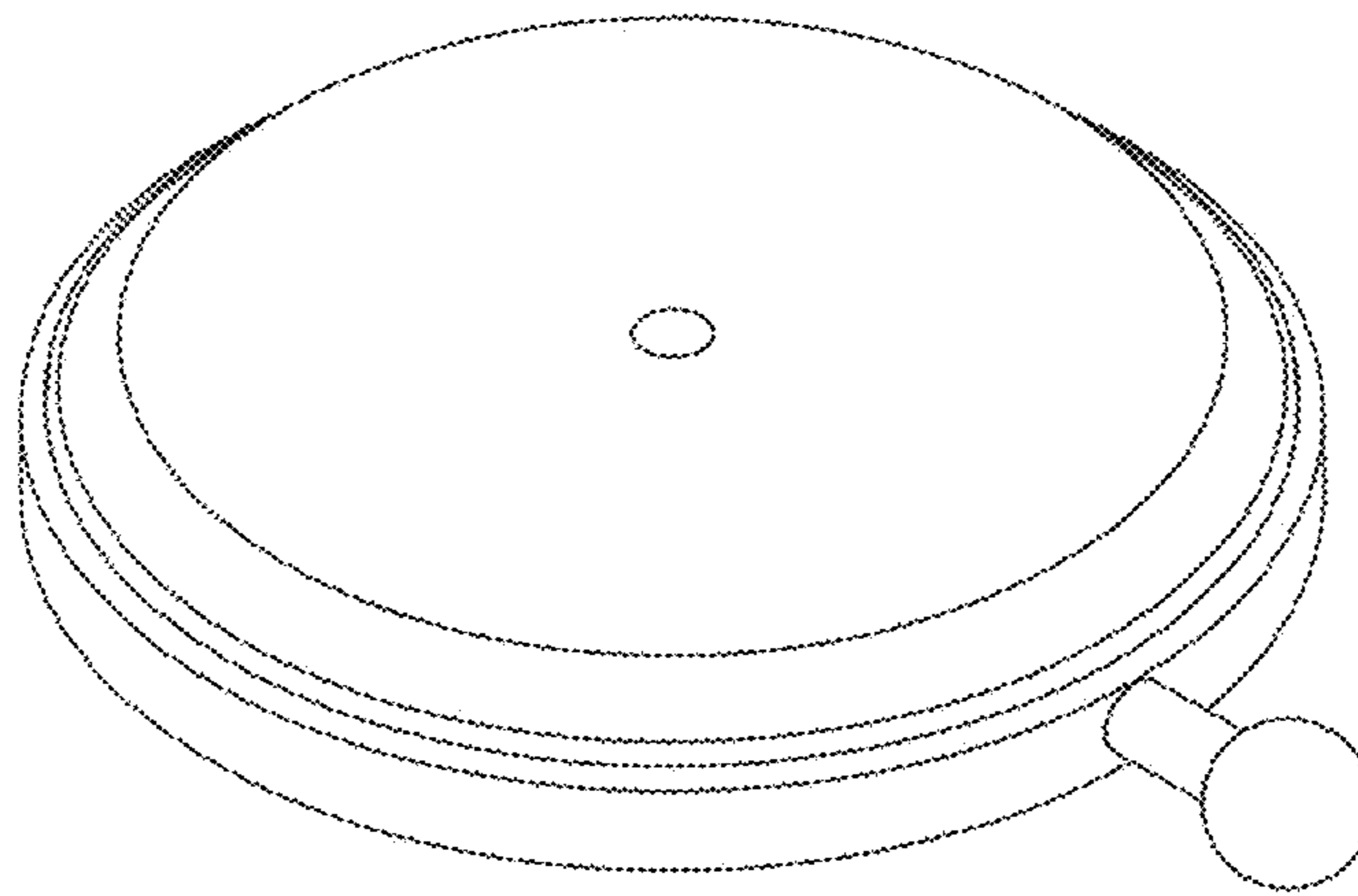


FIG. 2

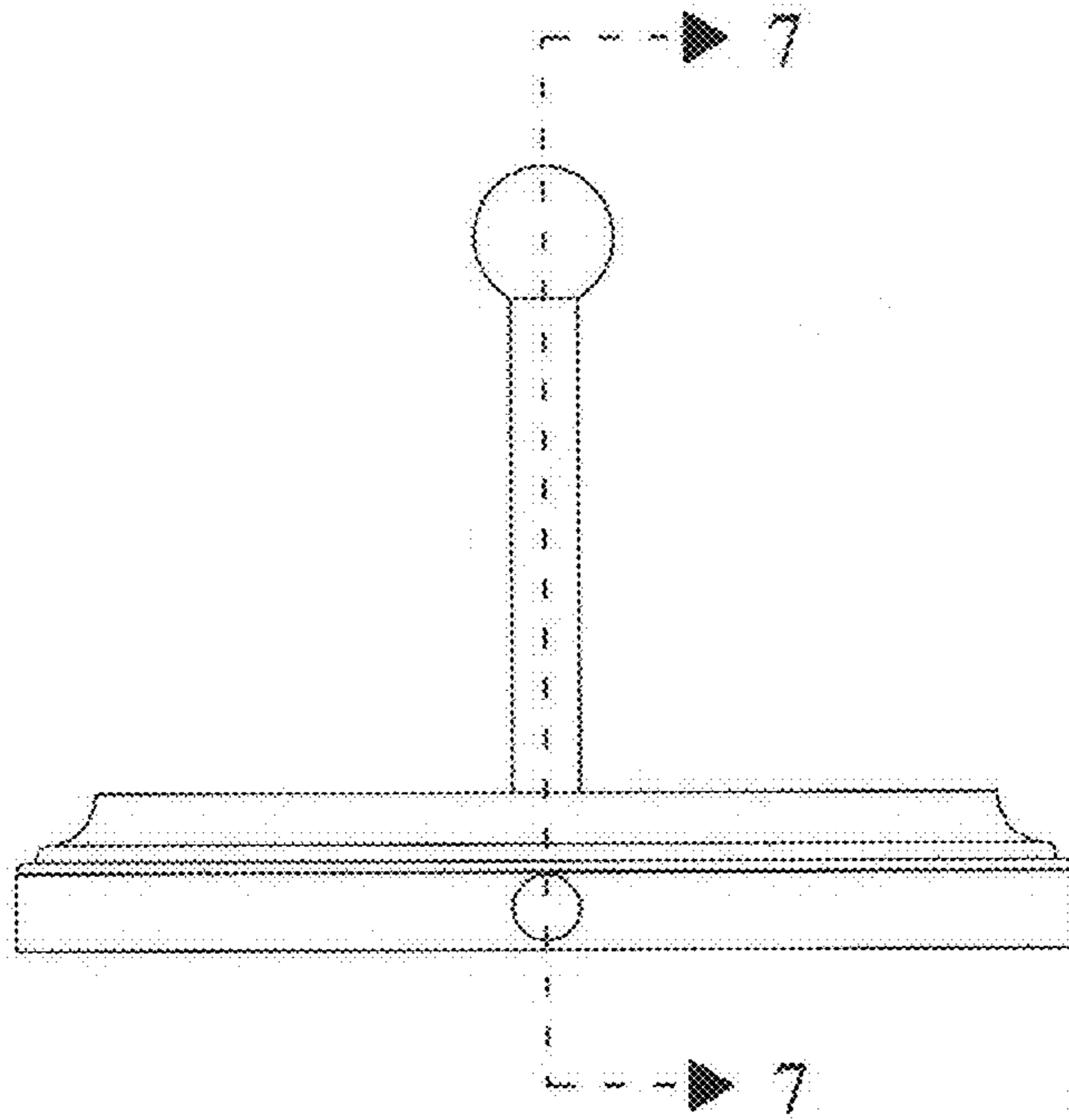


FIG.3

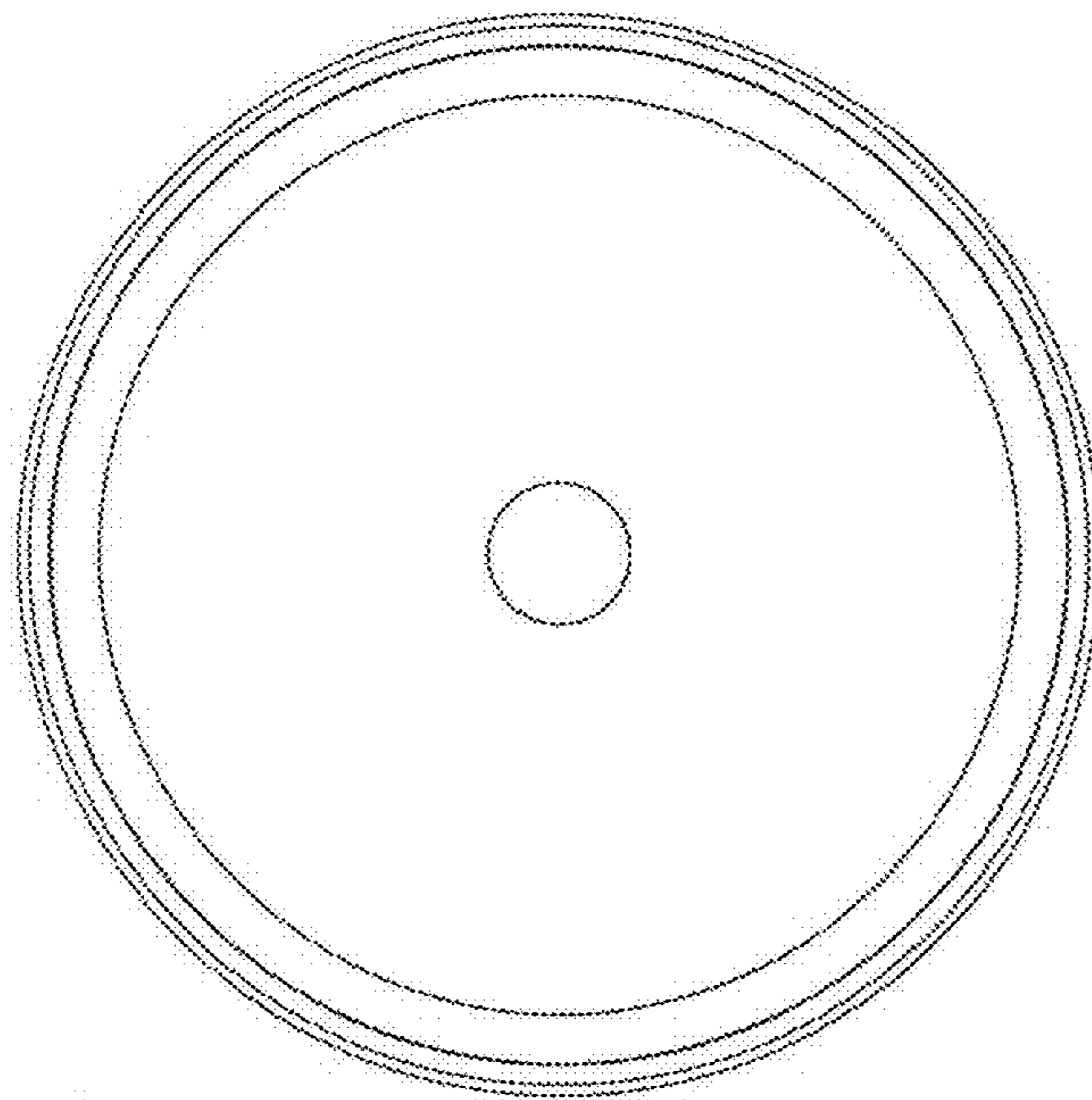


FIG.4

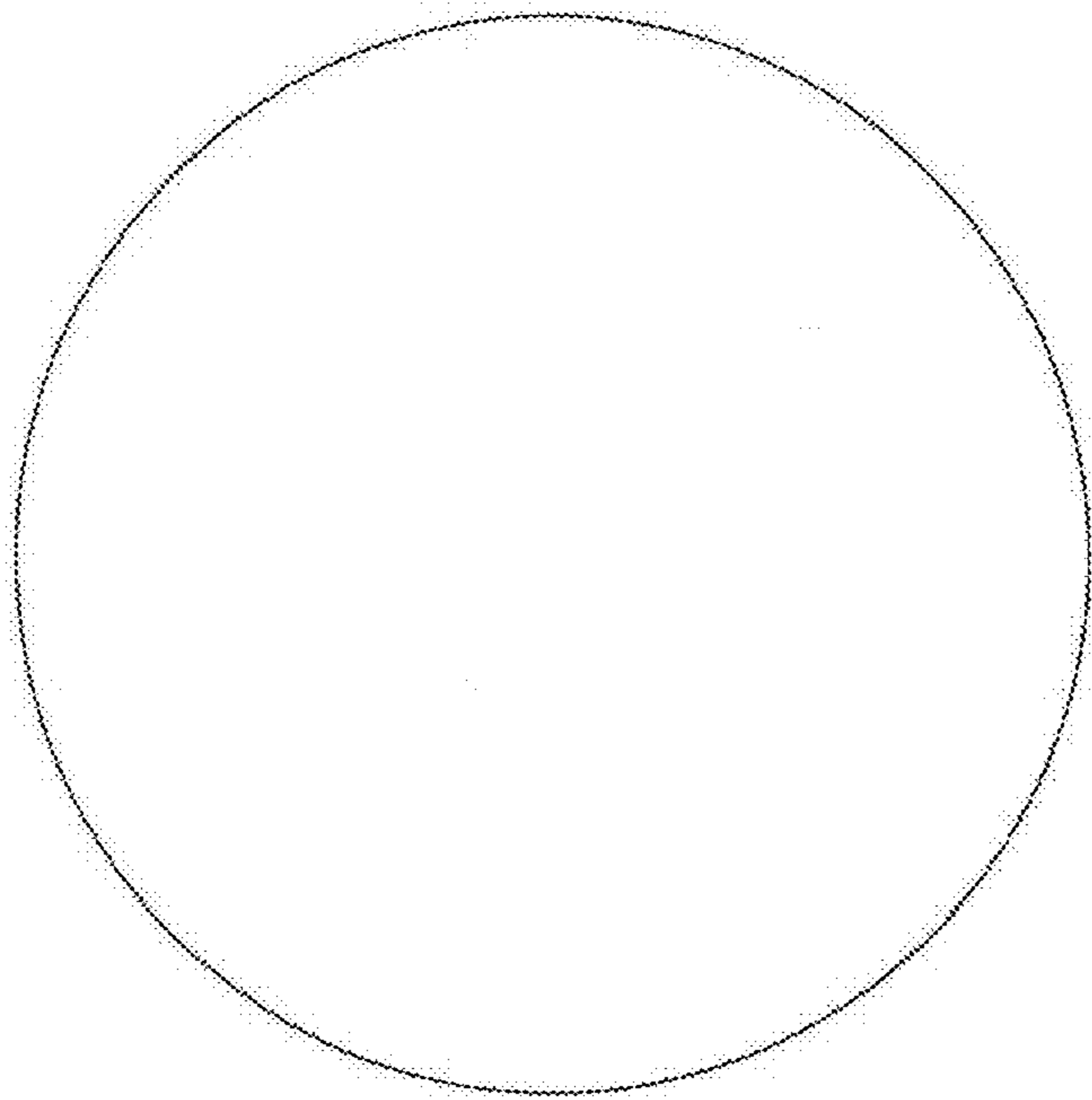


FIG. 5

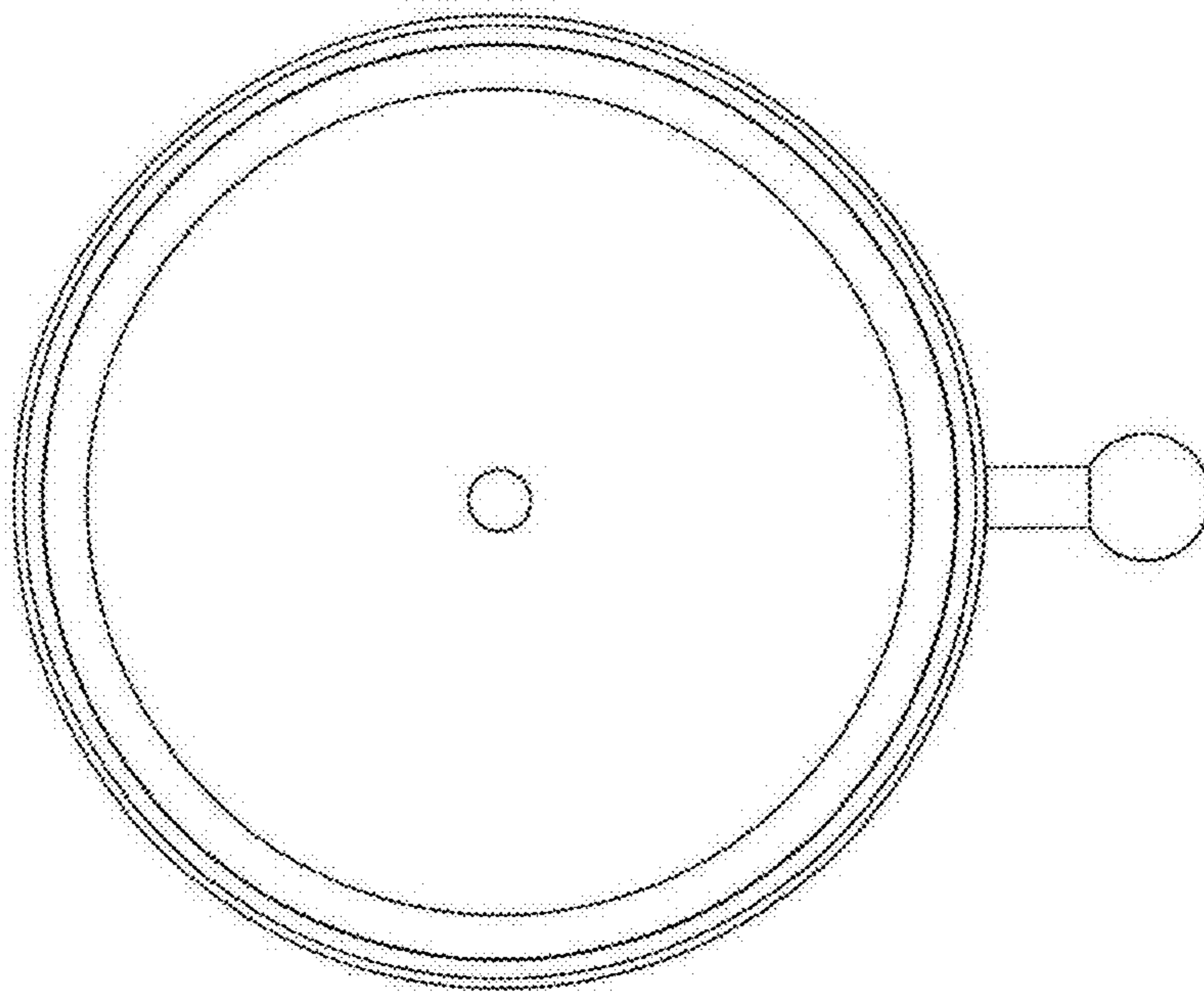


FIG. 6

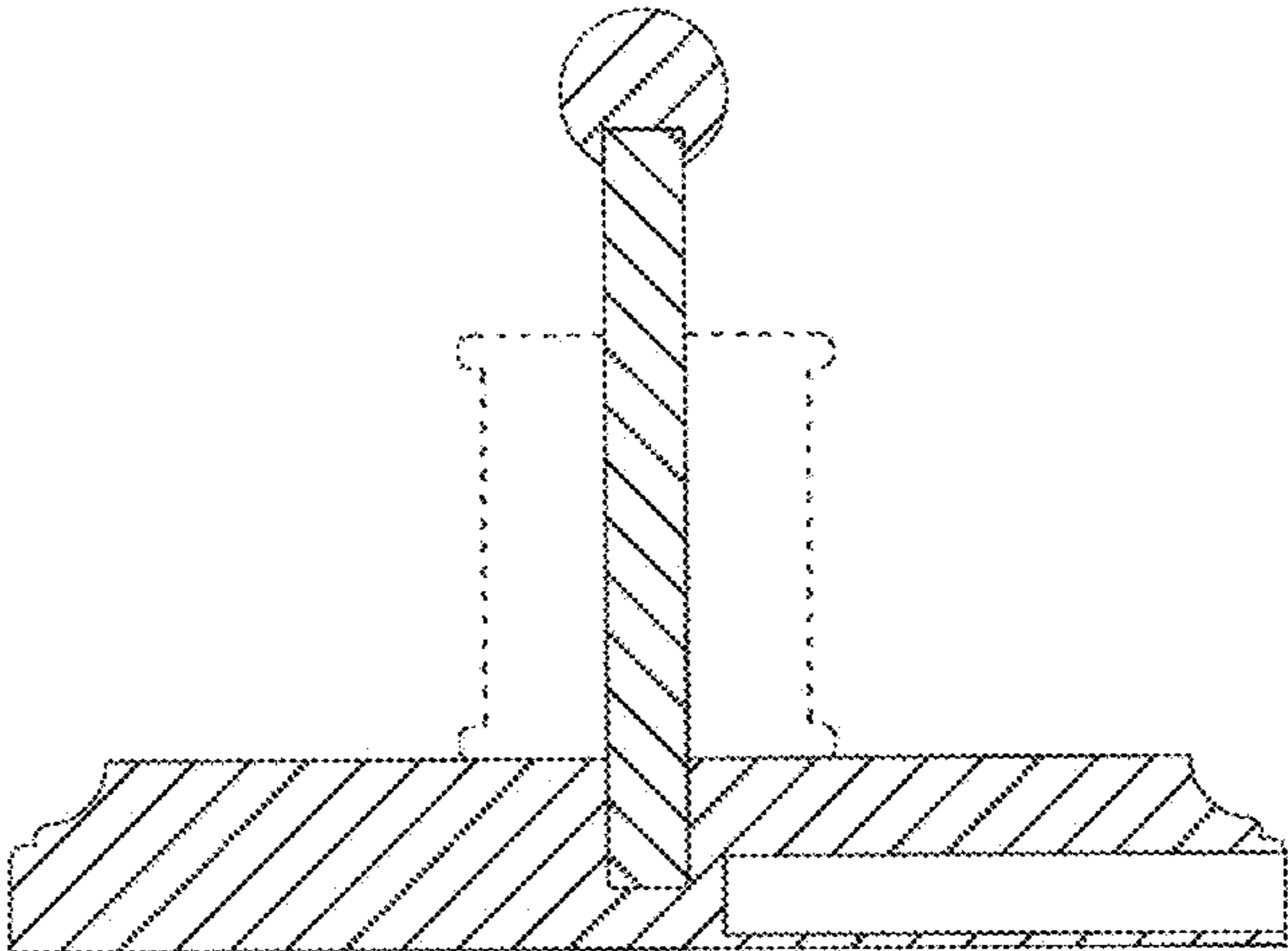


FIG.7