



US00D785924S

(12) **United States Design Patent** (10) **Patent No.:** **US D785,924 S**
Blythe (45) **Date of Patent:** **** May 9, 2017**

(54) **WRIST BAND**

(71) Applicant: **Drymax Technologies Inc.**, Paso Robles, CA (US)

(72) Inventor: **William A. Blythe**, Paso Robles, CA (US)

(73) Assignee: **Drymax Technologies, Inc.**, Paso Robles, CA (US)

(**) Term: **14 Years**

(21) Appl. No.: **29/519,916**

(22) Filed: **Mar. 9, 2015**

(51) **LOC (10) Cl.** **02-99**

(52) **U.S. Cl.**
USPC **D2/999**

(58) **Field of Classification Search**
USPC D2/621, 623, 744, 747, 853, 976, 985,
D2/986, 992, 993, 994, 999; D11/3, 4,
D11/15; 2/162, 169, 917
CPC A41D 13/08; A41D 19/00; A41D 19/015;
A41D 19/02; A41F 1/06
See application file for complete search history.

(56) **References Cited**

U.S. PATENT DOCUMENTS

243,252 A 6/1881 Harbison
413,749 A * 10/1889 Carrier D04D 5/00
112/409
668,800 A 2/1901 Knapp
(Continued)

FOREIGN PATENT DOCUMENTS

AU 2007246238 A1 11/2007
AU 2008200440 A1 3/2010
(Continued)

OTHER PUBLICATIONS

“Nike Adult Fielder’s Wrist Guard” First comment: Oct. 8, 2013.

Baseball Savings. <http://reviews.baseballsavings.com/9058/41799/nike-adult-fielders-wrist-guard-reviews/reviews.htm>.*

(Continued)

Primary Examiner — Susan Bennett Hattan

Assistant Examiner — Suzanne Tisdell

(74) *Attorney, Agent, or Firm* — Christopher J. Knors;
Moore & Van Allen, PLLC

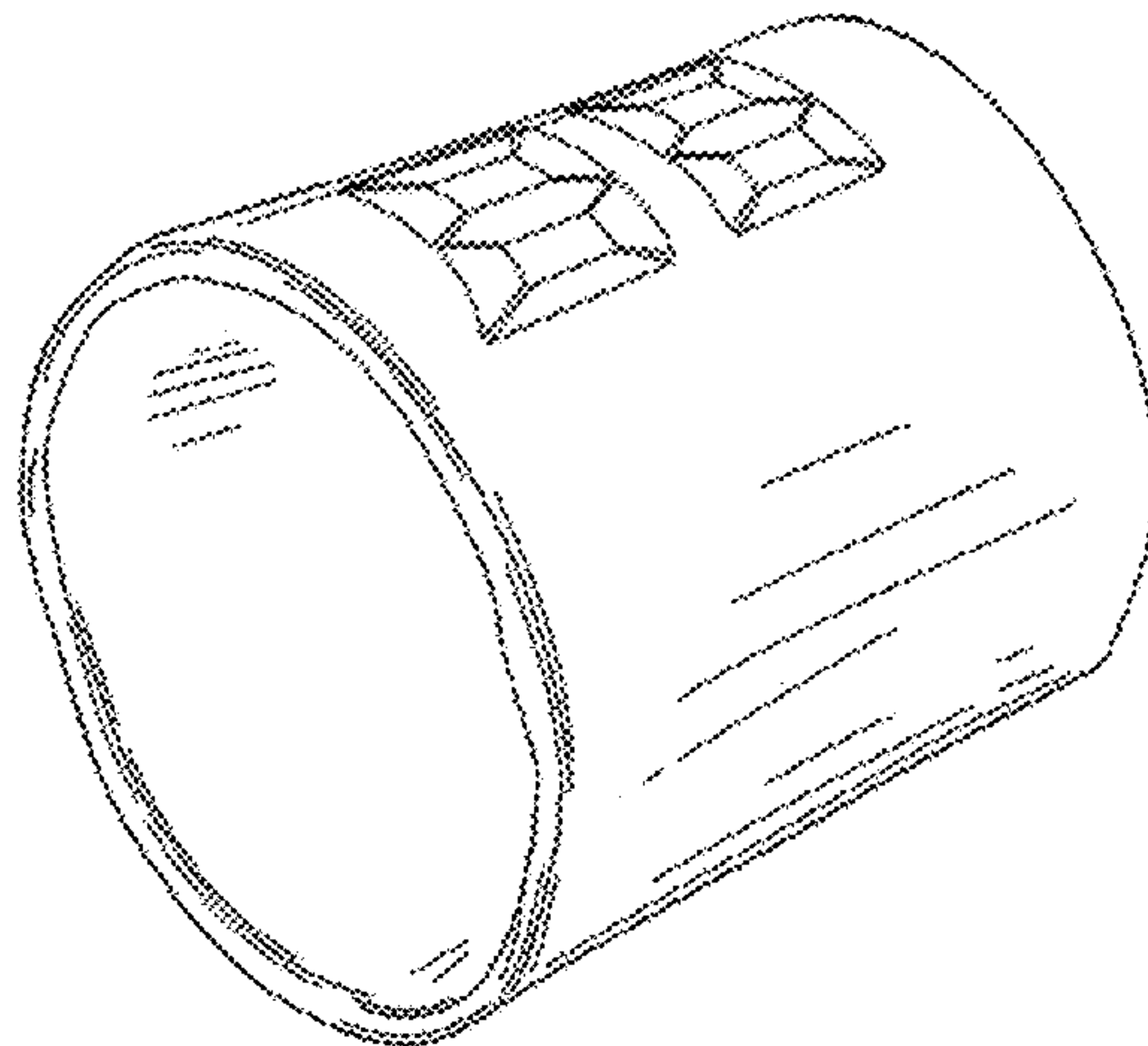
(57) **CLAIM**

The ornamental design for a wrist band, as shown and described.

DESCRIPTION

FIG. 1 is a perspective view of a first embodiment of a wrist band in accordance with our new design;
FIG. 2 first end view showing of the design of FIG. 1;
FIG. 3 is a second end view thereof;
FIG. 4 is a first side view thereof;
FIG. 5 is a second side view thereof, the view rotated 180 degrees relative to the first side view;
FIG. 6 is a top plan view thereof;
FIG. 7 is a bottom plan view thereof; and
FIG. 8 is a perspective view of the wrist band of FIG. 1 being worn on a human wrist;
FIG. 9 is a perspective view of a second embodiment of a wrist band in accordance with our new design;
FIG. 10 first end view showing of the design of FIG. 9;
FIG. 11 is a second end view thereof;
FIG. 12 is a first side view thereof;
FIG. 13 is a second side view thereof, the view rotated 180 degrees relative to the first side view;
FIG. 14 is a top plan view thereof;
FIG. 15 is a bottom plan view thereof; and
FIG. 16 is a perspective view of the wrist band of FIG. 9 being worn on a human wrist.
The broken lines represent unclaimed environment and form no part of the claimed design.

1 Claim, 10 Drawing Sheets



(56)

References Cited

U.S. PATENT DOCUMENTS

872,137 A * 11/1907 Laupertz A41D 19/02
2/169
D99,164 S * 3/1936 Levine D2/620
D160,416 S * 10/1950 Mueller D11/4
D163,988 S * 7/1951 Breath D2/619
2,591,905 A * 4/1952 Kennedy A41D 19/00
2/159
2,643,389 A 8/1953 Wegner
4,014,046 A * 3/1977 Craig A41D 13/08
2/60
4,047,400 A 9/1977 Thorneburg
D257,884 S * 1/1981 Ternstrom D2/712
4,399,567 A * 8/1983 Weon Joong A41D 19/0082
2/16
4,499,741 A 2/1985 Harris
4,521,922 A 6/1985 Mitchell et al.
4,843,653 A 7/1989 Coble
D308,436 S * 6/1990 Weitzell D2/623
5,119,513 A * 6/1992 McKay A41D 20/005
2/170
5,511,241 A * 4/1996 Ziegler A41D 19/01511
2/16
D370,111 S 5/1996 Walker
D372,878 S * 8/1996 Finnegan D11/3
5,746,067 A * 5/1998 Leach, II A44C 5/22
63/7
5,823,012 A 10/1998 Hacskaylo
D402,411 S * 12/1998 Radler D28/61
6,113,565 A 9/2000 Schlup et al.
D433,197 S 10/2000 Niksich
6,332,225 B1 12/2001 Casey
6,349,414 B1 2/2002 Tillman
D453,985 S 3/2002 Casey
6,383,157 B1 5/2002 Massi et al.
6,425,137 B1 7/2002 Fakhrai
6,701,532 B1 3/2004 Glassberg et al.
D491,829 S * 6/2004 Seifert D11/3
D517,442 S 3/2006 Polk, III
D550,112 S 9/2007 Andren et al.
D553,536 S * 10/2007 Andren D11/3
D556,194 S 11/2007 Rambosek et al.
D558,198 S 12/2007 Blankenship et al.
D569,577 S 5/2008 Barker
D584,972 S 1/2009 Aeberhard et al.
D604,191 S * 11/2009 Ohara D11/3
D651,535 S * 1/2012 Rodarmel D11/3
D681,941 S 5/2013 Kennedy et al.
D685,284 S * 7/2013 Spano D11/3
D705,112 S * 5/2014 Namazy D11/27

D727,613 S * 4/2015 Schoenbeck D2/993
D731,345 S * 6/2015 Stewart D11/3
D738,748 S * 9/2015 Bibl D10/32
D739,274 S * 9/2015 Chen D10/70
D743,131 S * 11/2015 Jeon D32/29
D744,890 S * 12/2015 Murphy D11/3
D750,902 S * 3/2016 Duparc D5/27
D753,357 S * 4/2016 Song D32/29
2003/0176904 A1 9/2003 Patterson
2003/0221241 A1 * 12/2003 Rivera A41D 20/005
2/170
2008/0000009 A1 * 1/2008 Kogawa A41D 19/015
2/159
2009/0007597 A1 * 1/2009 Hanevold A44C 5/0015
63/1.14
2009/0151045 A1 6/2009 Hinds et al.
2009/0205106 A1 8/2009 Sohn
2009/0206117 A1 8/2009 Chan
2009/0307825 A1 * 12/2009 Bhalla A41D 19/0055
2/161.7
2014/0123702 A1 * 5/2014 Pierce A44C 15/00
63/40
2014/0245520 A1 * 9/2014 Bae G09F 21/026
2/170
2014/0365979 A1 * 12/2014 Yoon G06F 3/017
715/863
2015/0049591 A1 * 2/2015 Adams G04G 21/08
368/13
2015/0143600 A1 * 5/2015 House A63B 71/141
2/20
2015/0309535 A1 * 10/2015 Connor G06F 1/1637
361/679.03

FOREIGN PATENT DOCUMENTS

WO 9833562 A1 8/1998
WO 2007129853 A1 11/2007

OTHER PUBLICATIONS

“Nike Dri-fit Stealth Wristbands” Accessed: Apr. 8, 2016. Sports Unlimited. <http://www.sportsunlimitedinc.com/nike-dri-fit-stealth-wristbands.html>.
“Wrist Sweatband” Accessed: Apr. 8, 2016. Sadiq Sports. <http://www.sadiqsports.com/detail.php?nod=2125>.
“Terry cloth sweat wristbands,” downloaded from the Internet, 2016, <http://terrywristband.com/sweatband/index.php?main_page=product_reviews_info&products_id=275&reviews_id=18&zenid=50523ade7ca25af7aff1b3a9bacff213>.

* cited by examiner

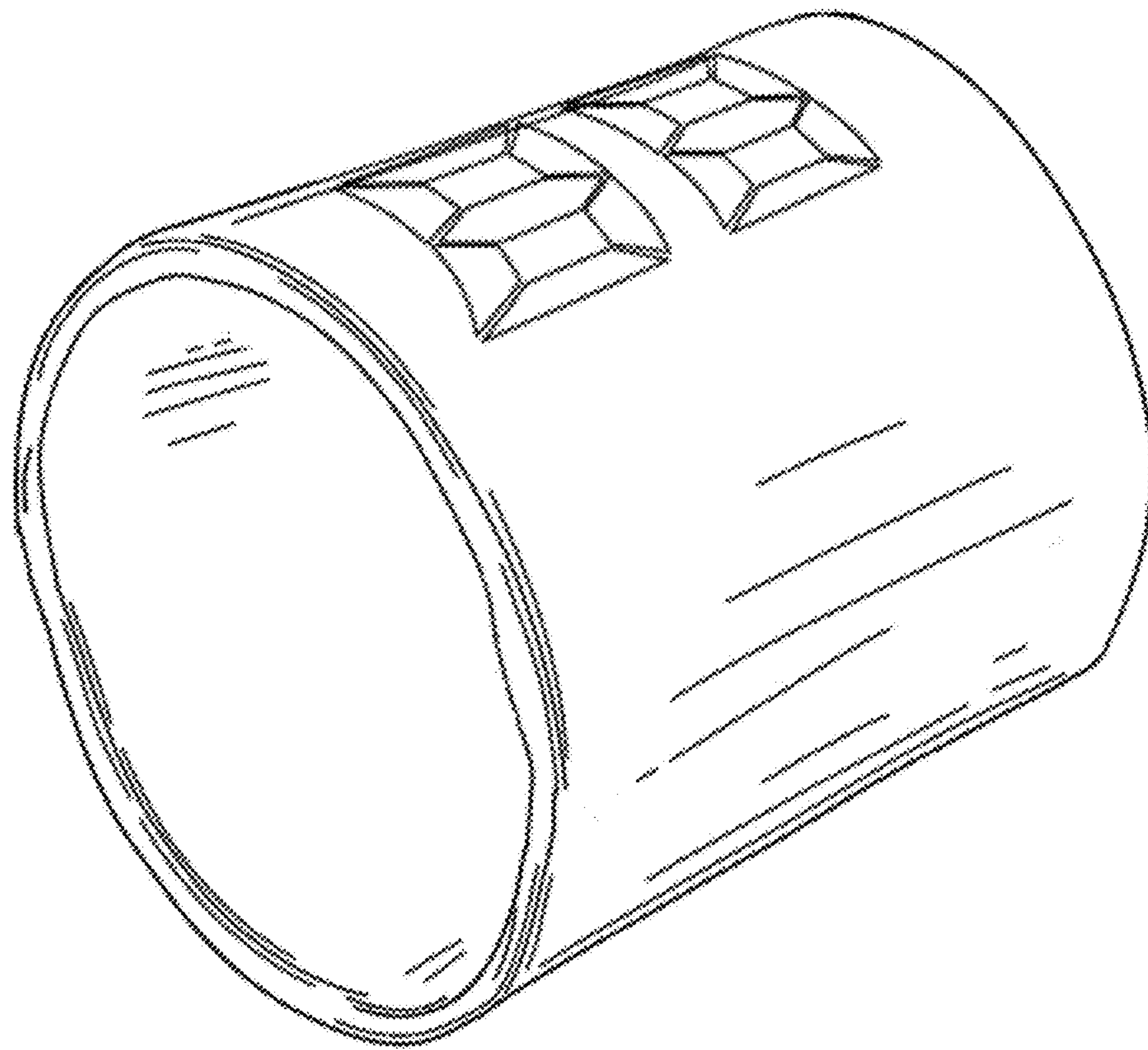


FIG. 1

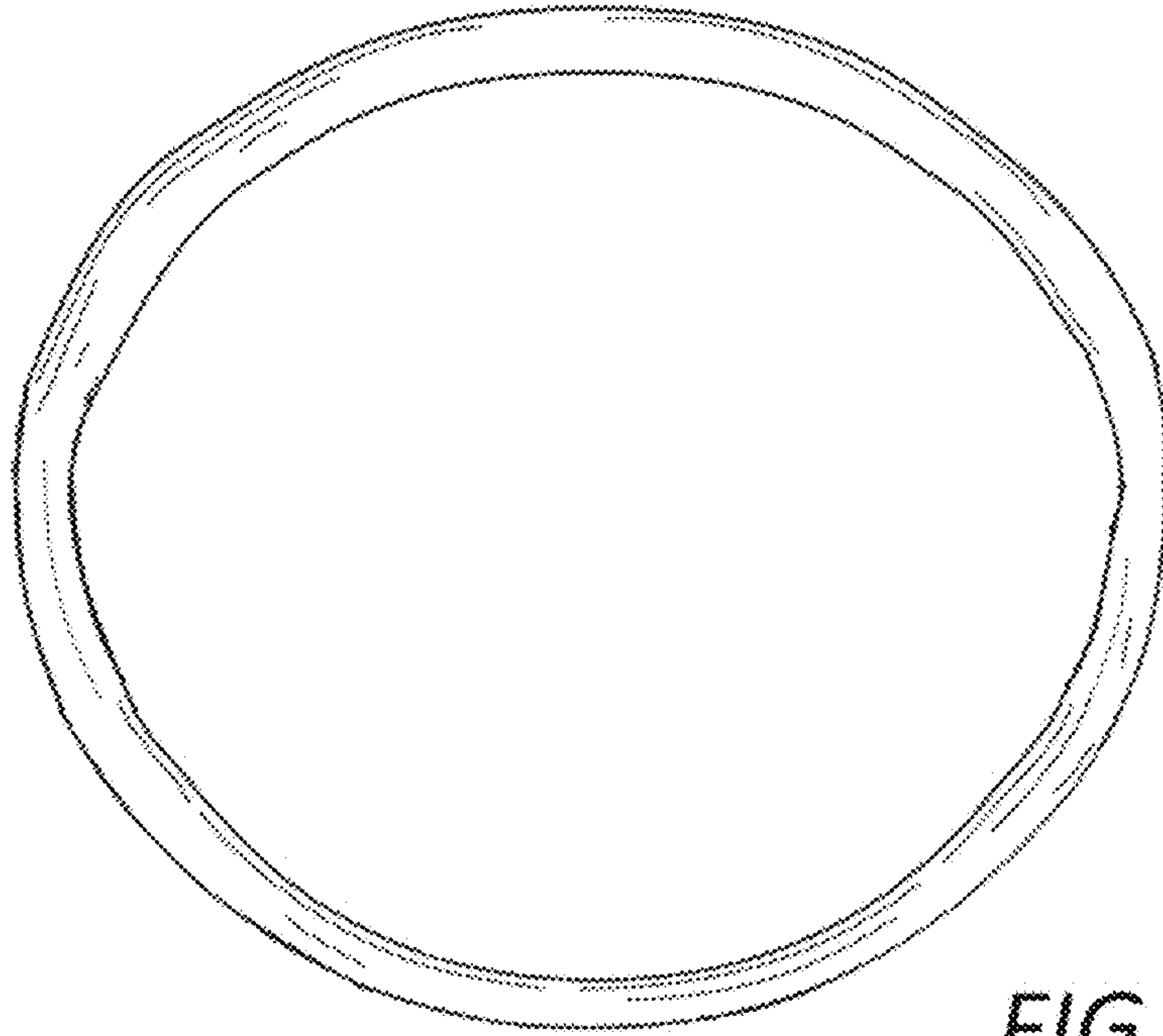


FIG. 2

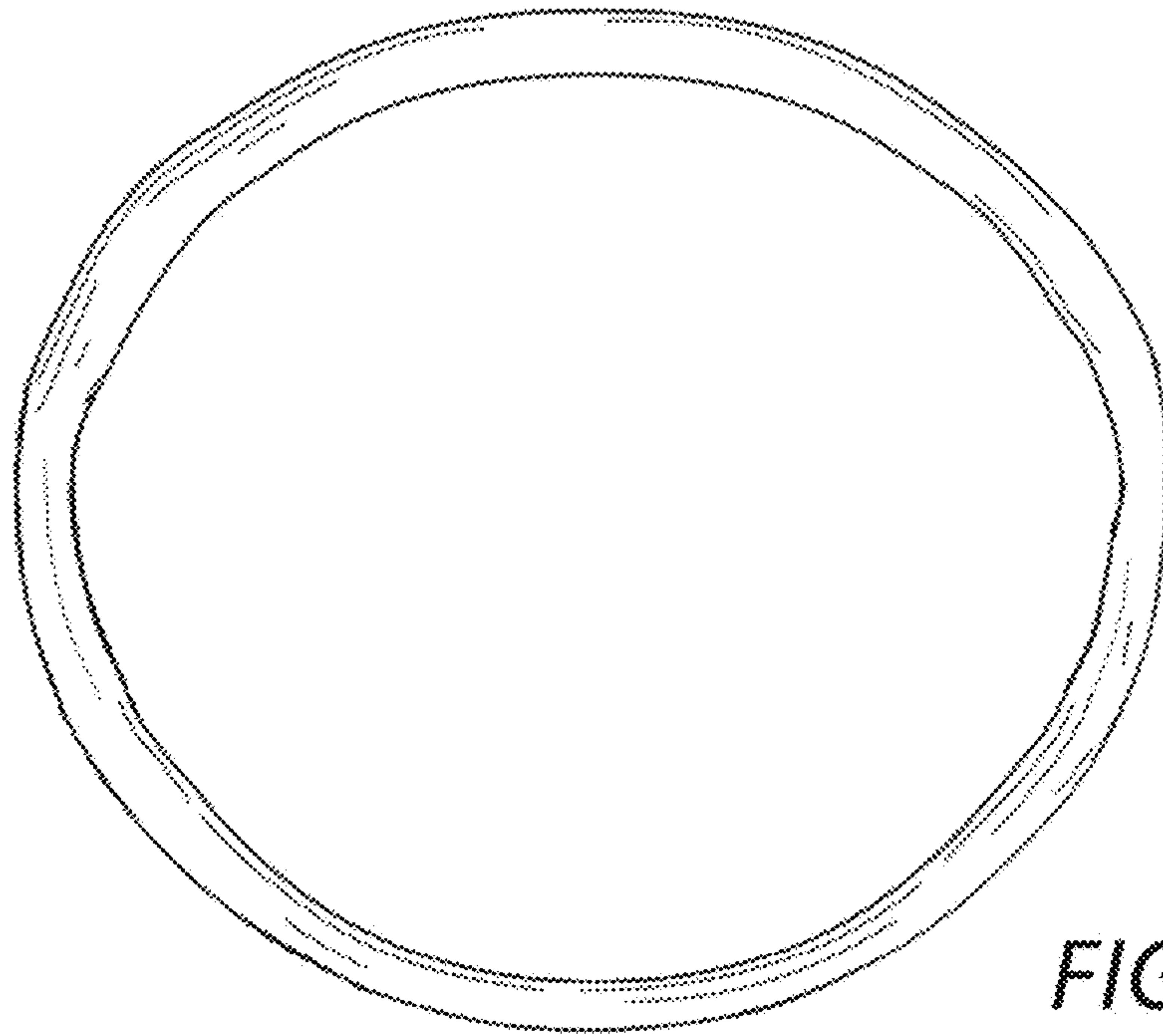


FIG. 3

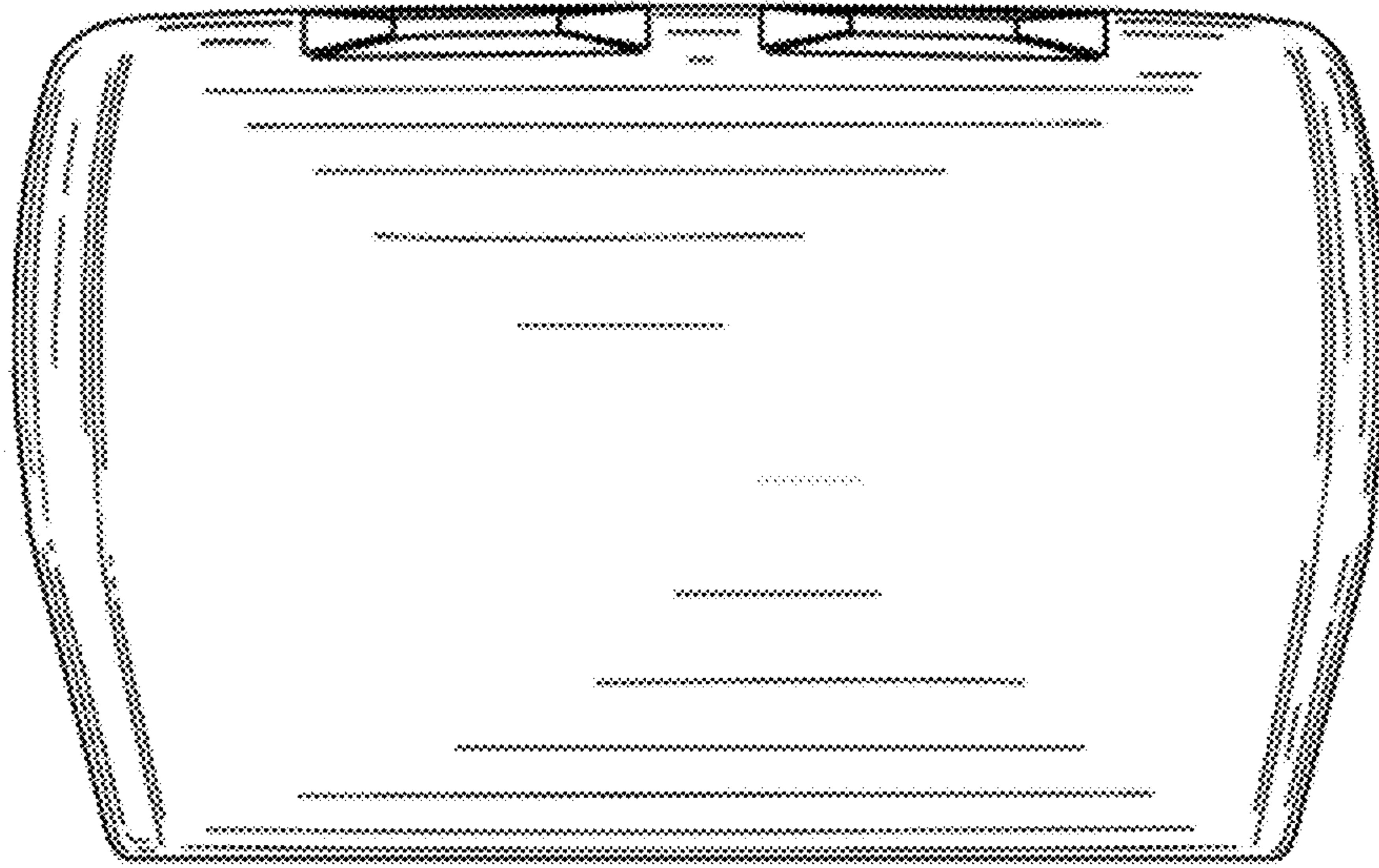


FIG. 4

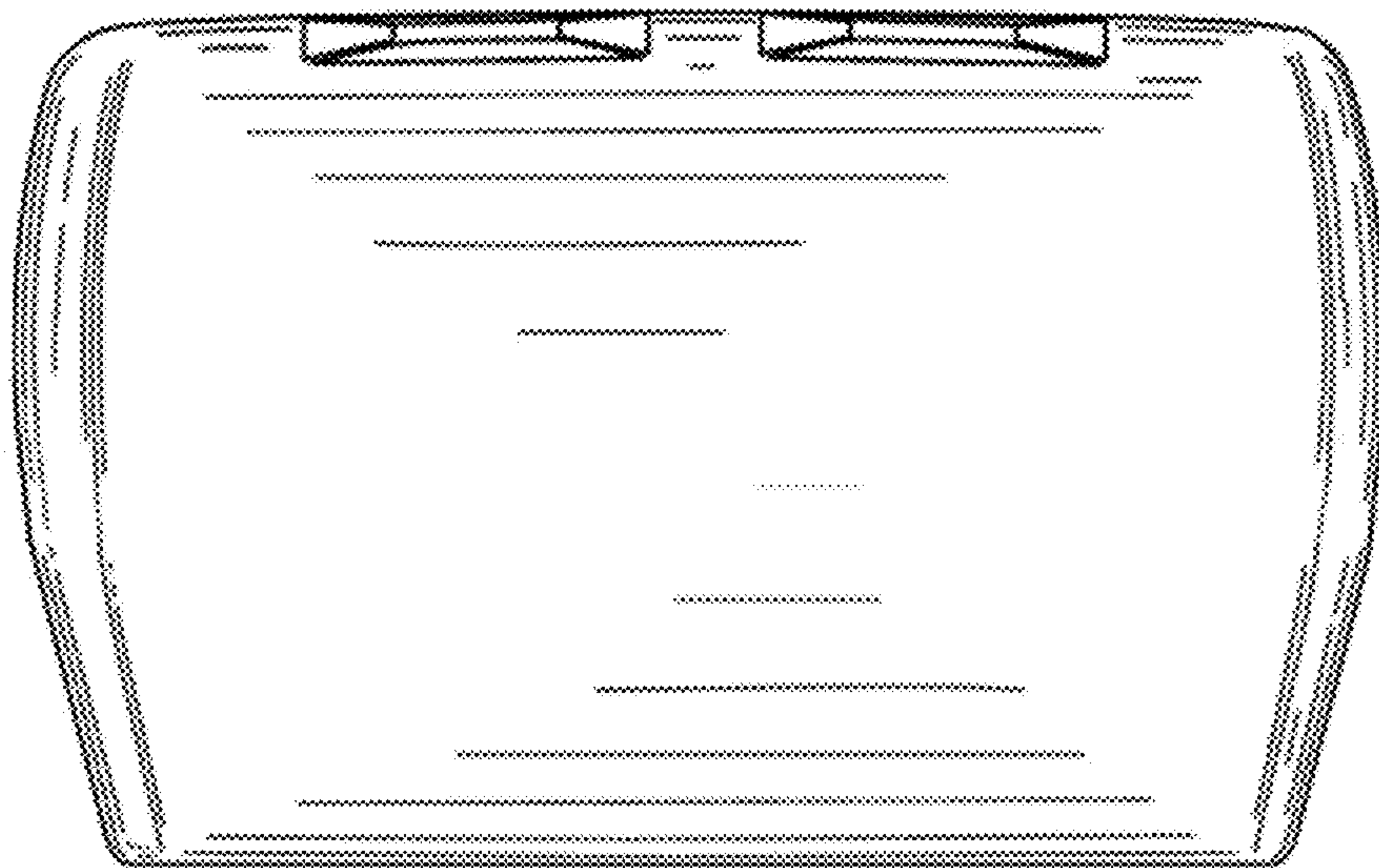


FIG. 5

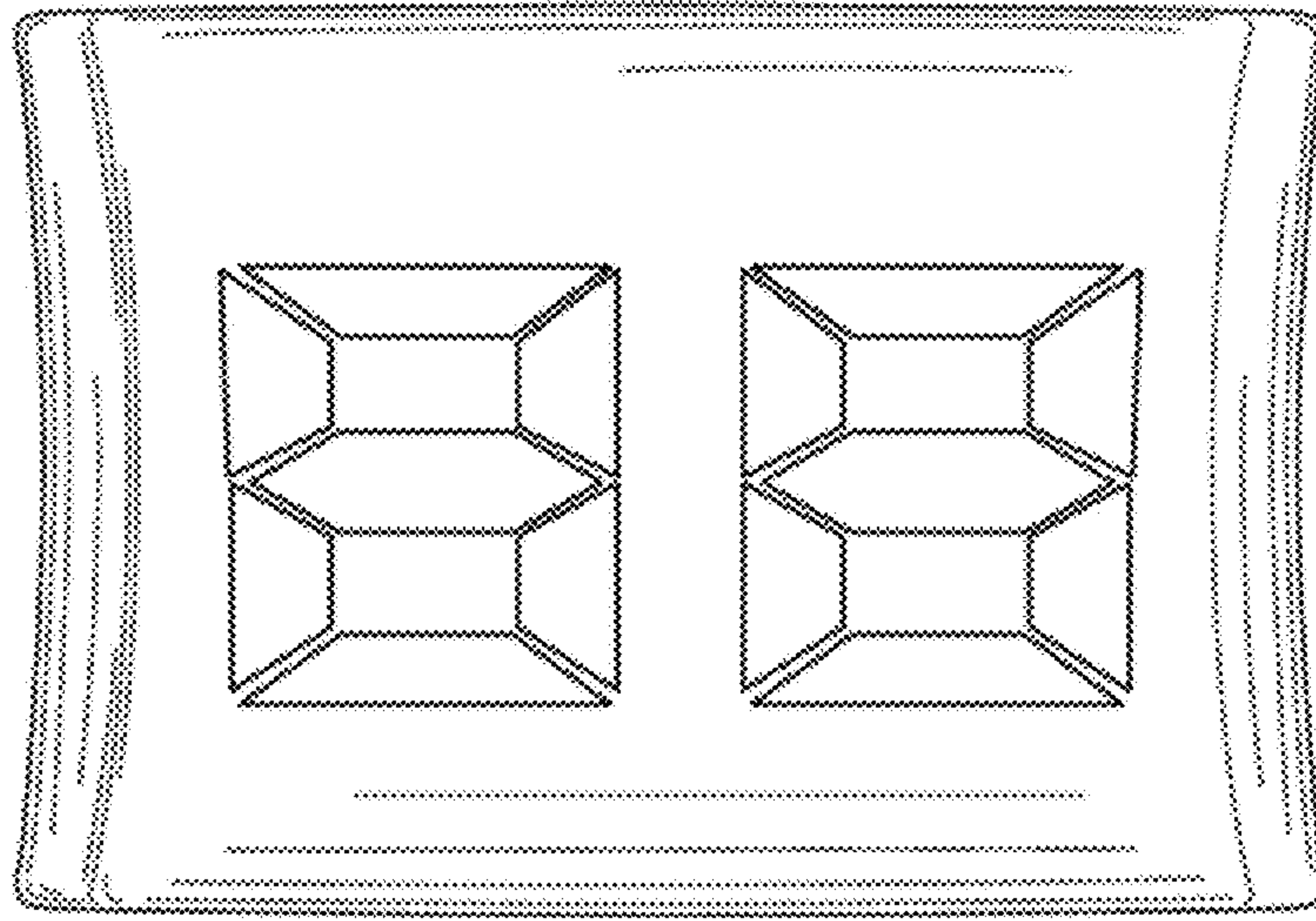


FIG. 6

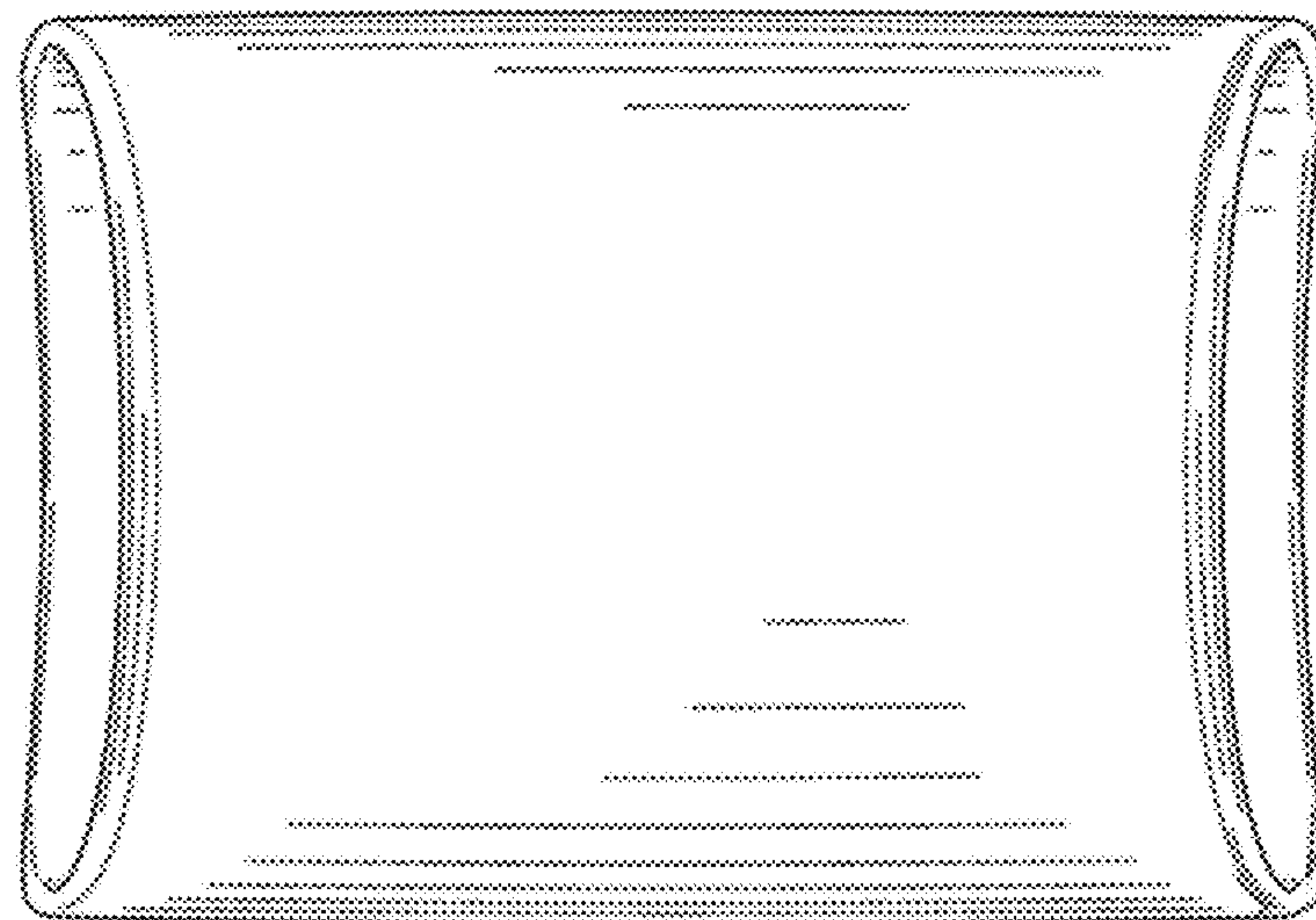


FIG. 7

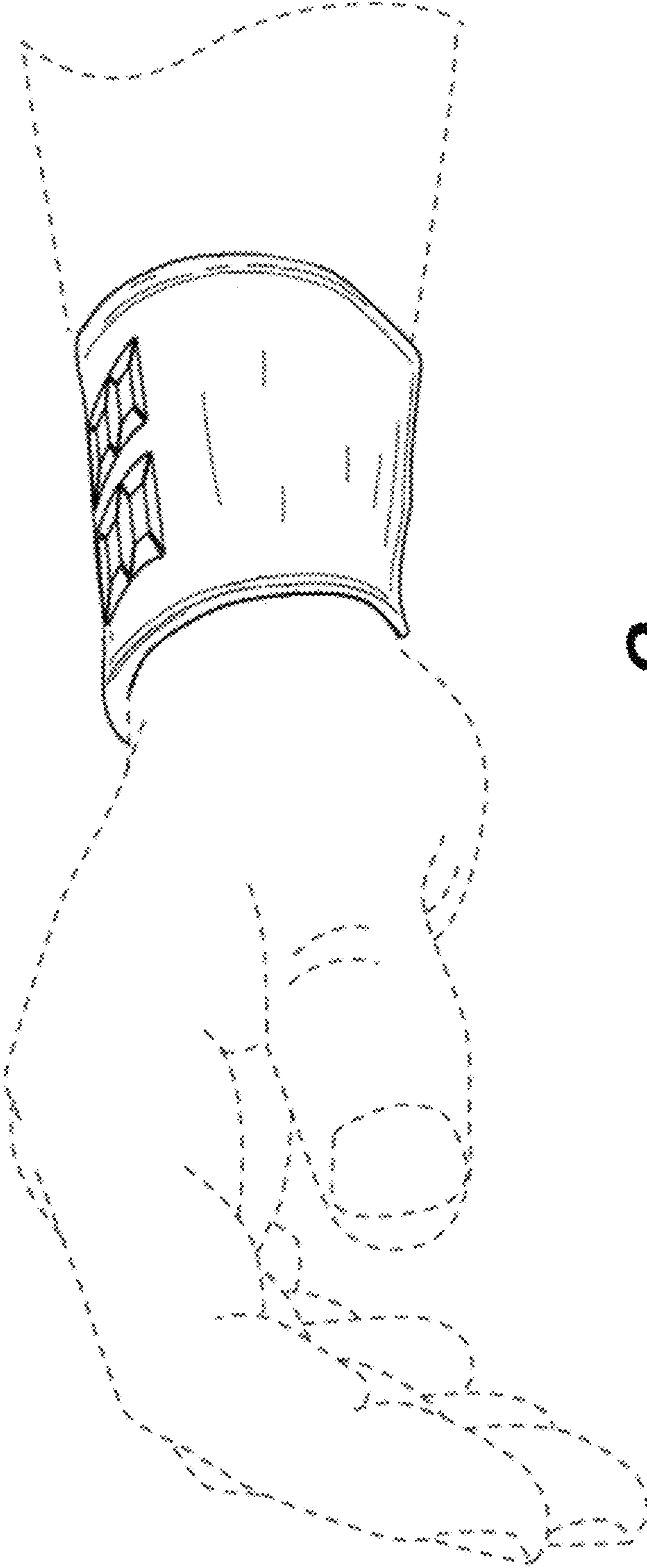


FIG. 8

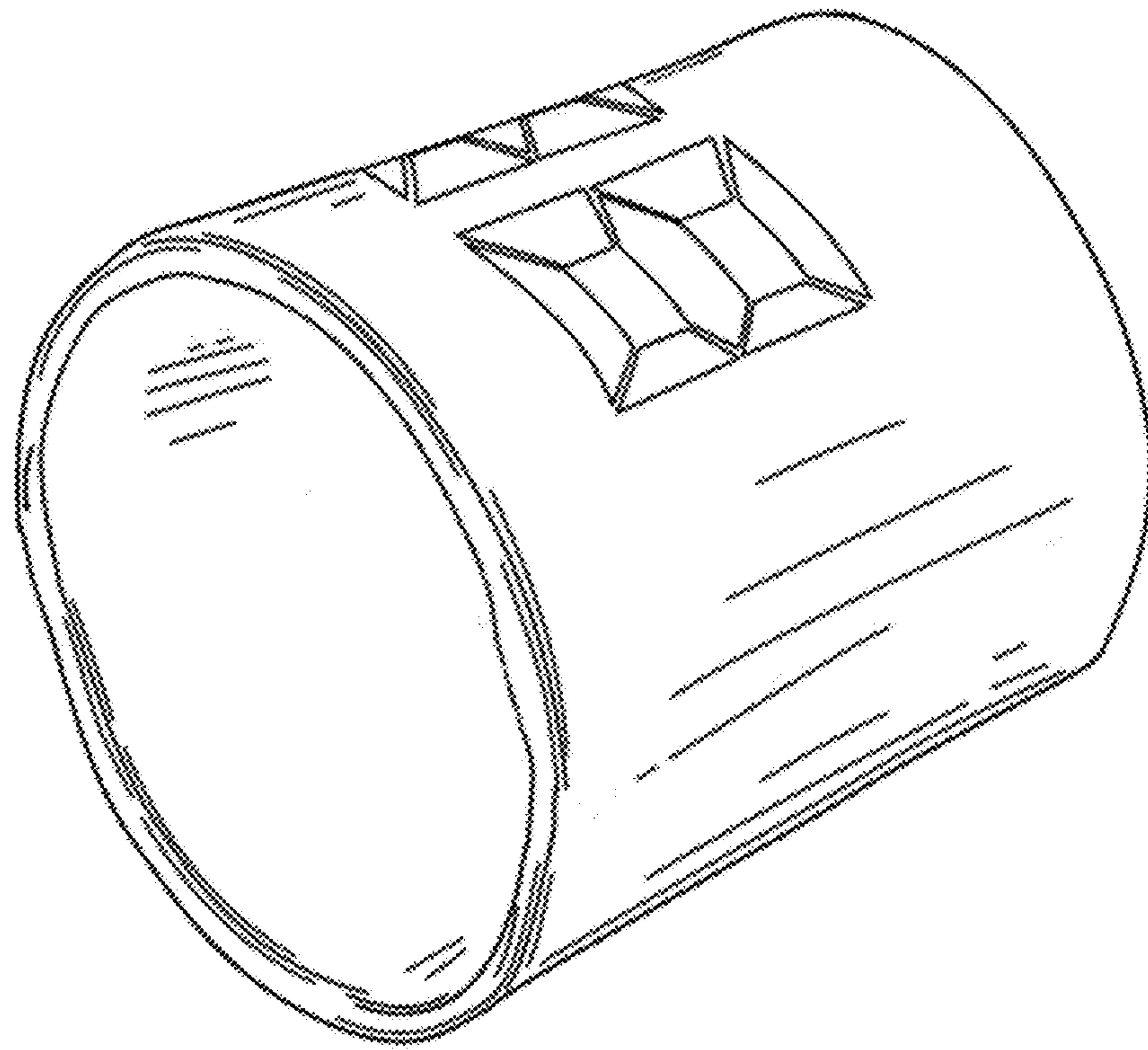


FIG. 9

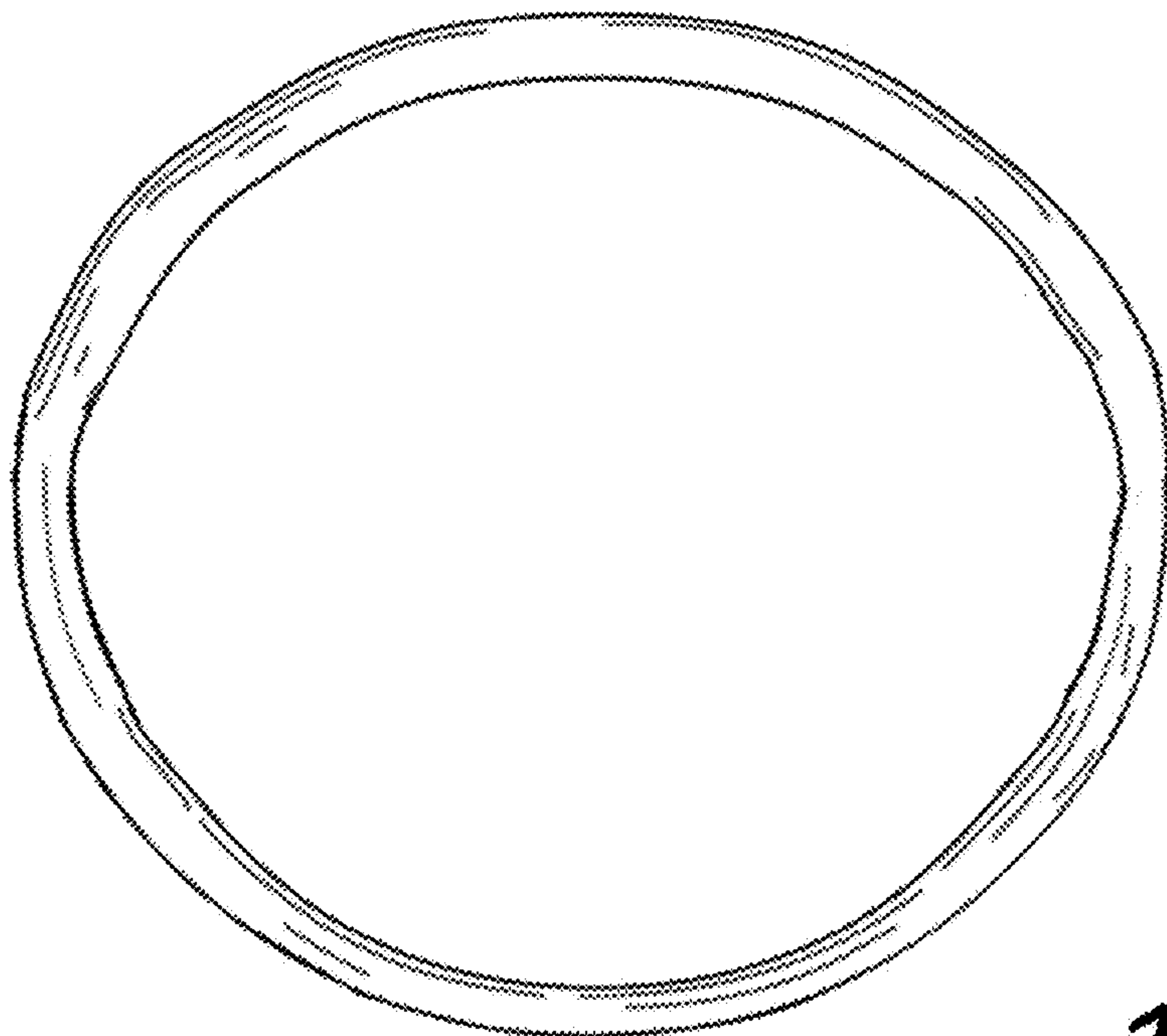


FIG. 10

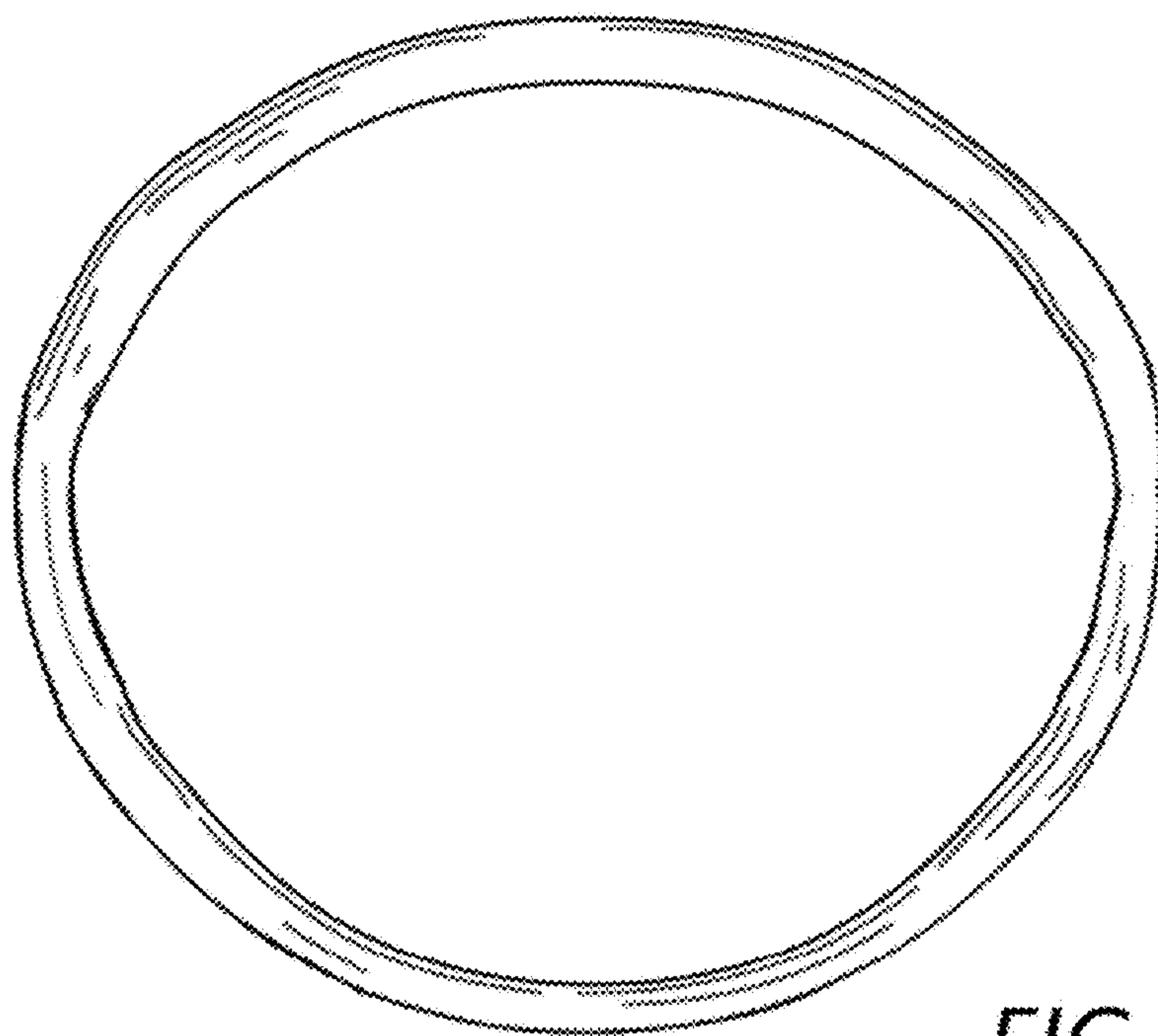


FIG. 11

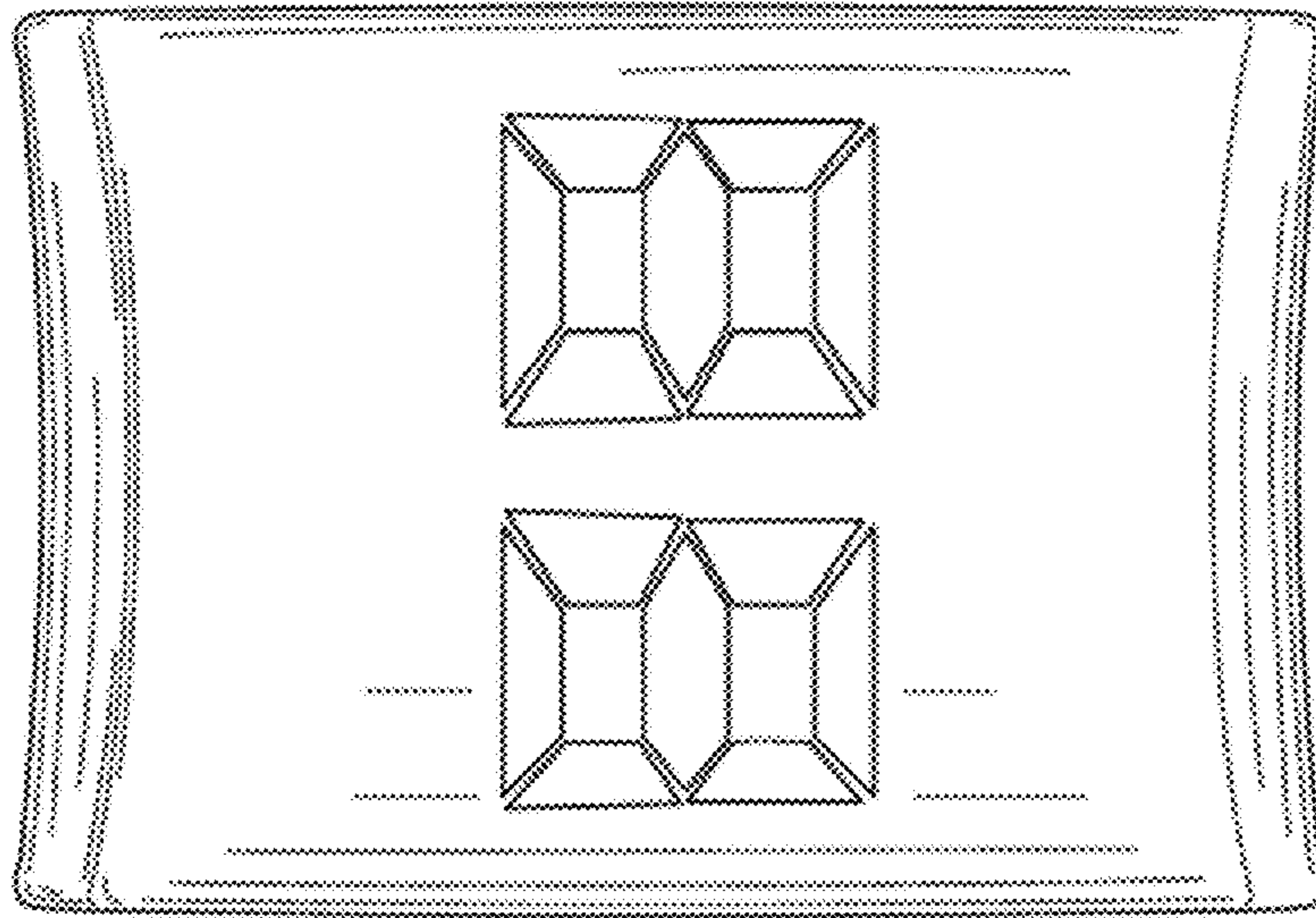


FIG. 12

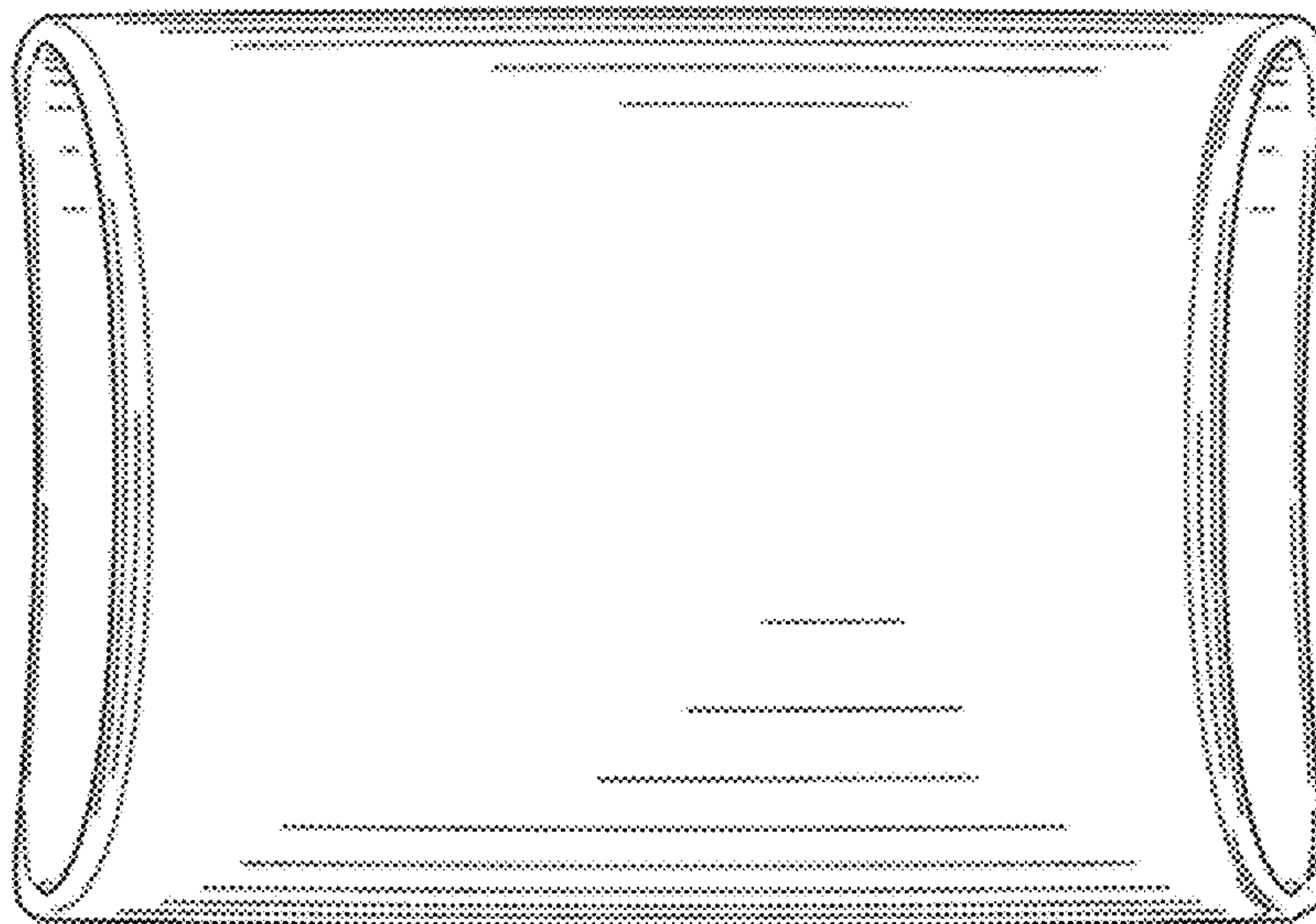


FIG. 13

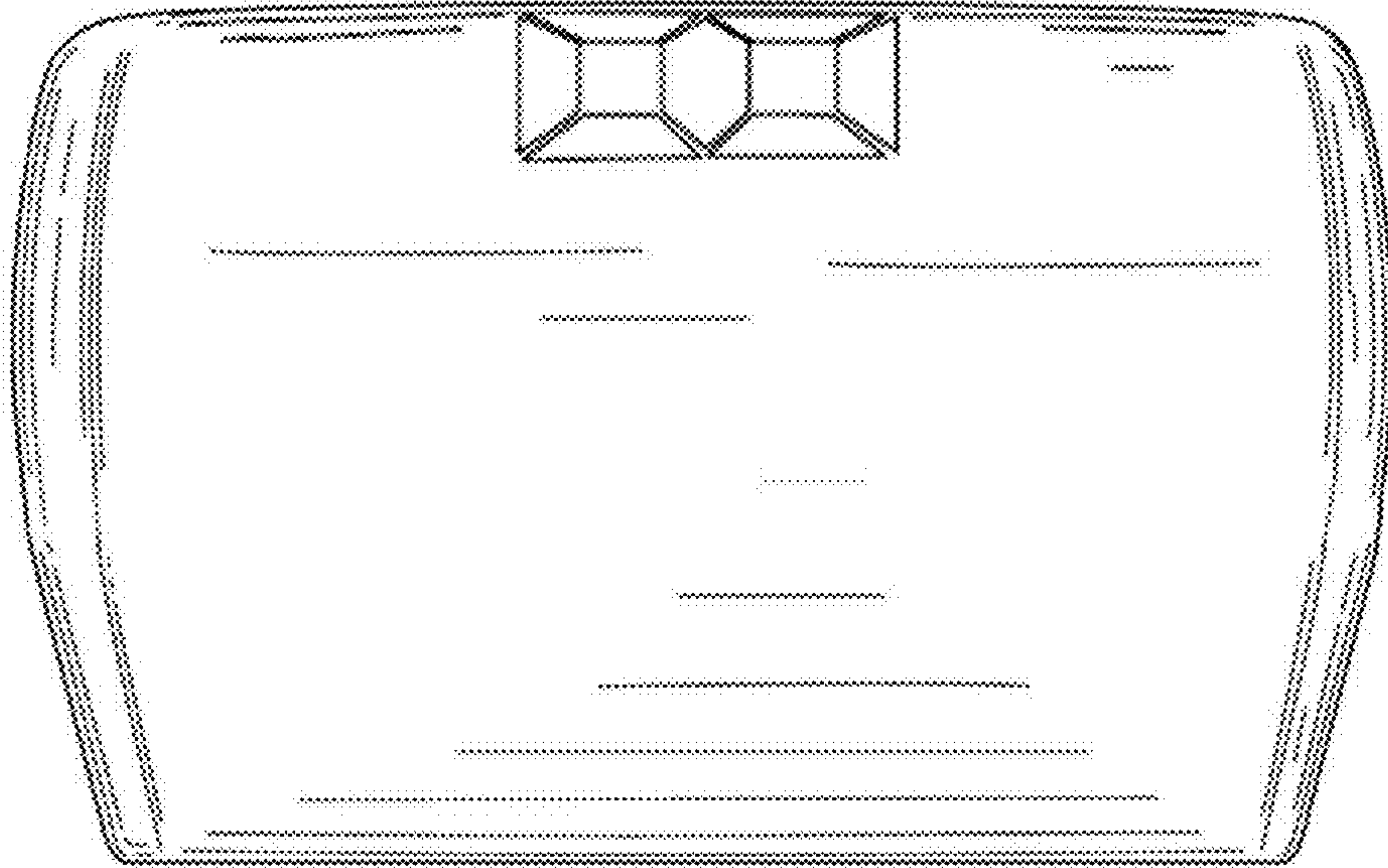


FIG. 14

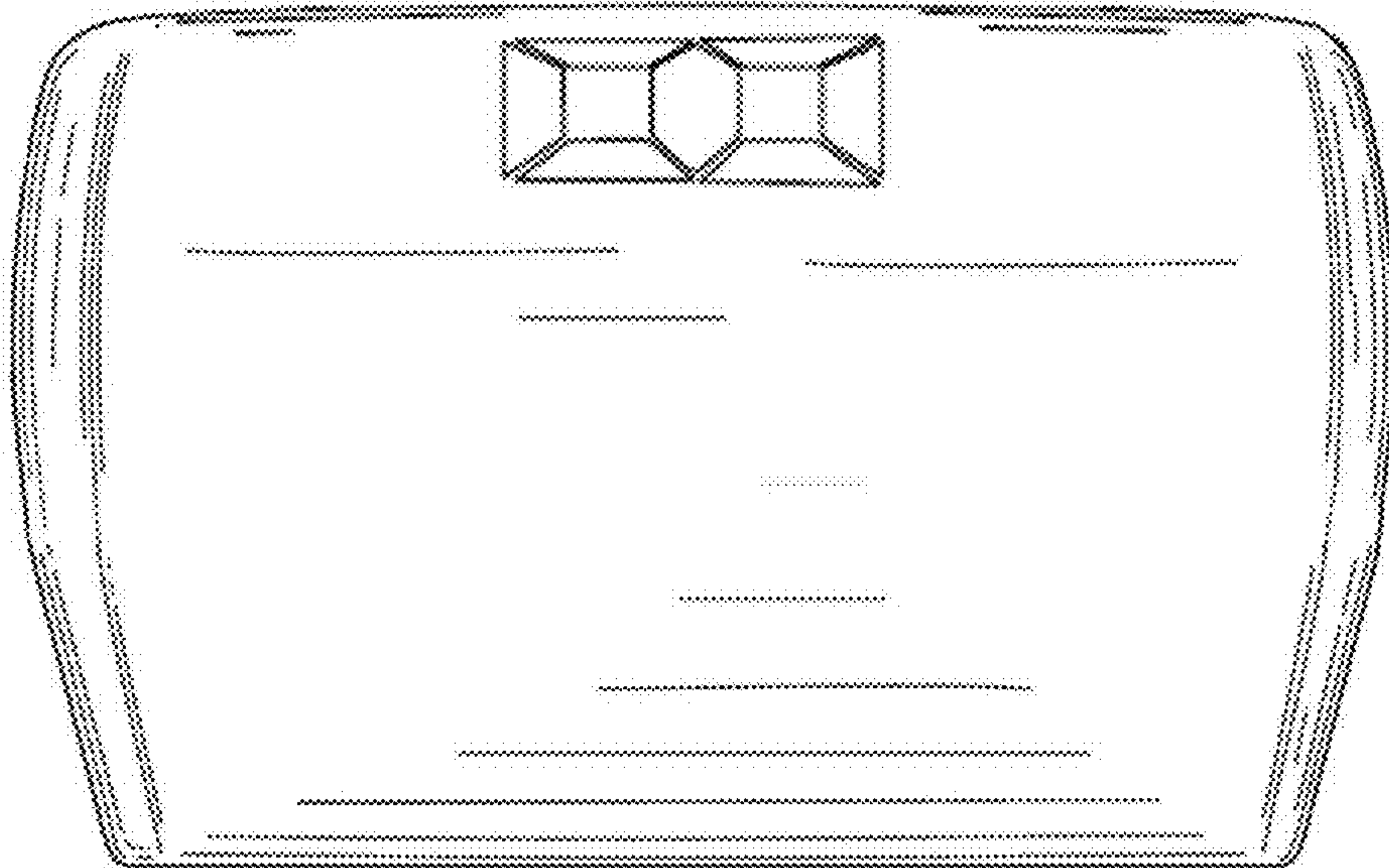


FIG. 15

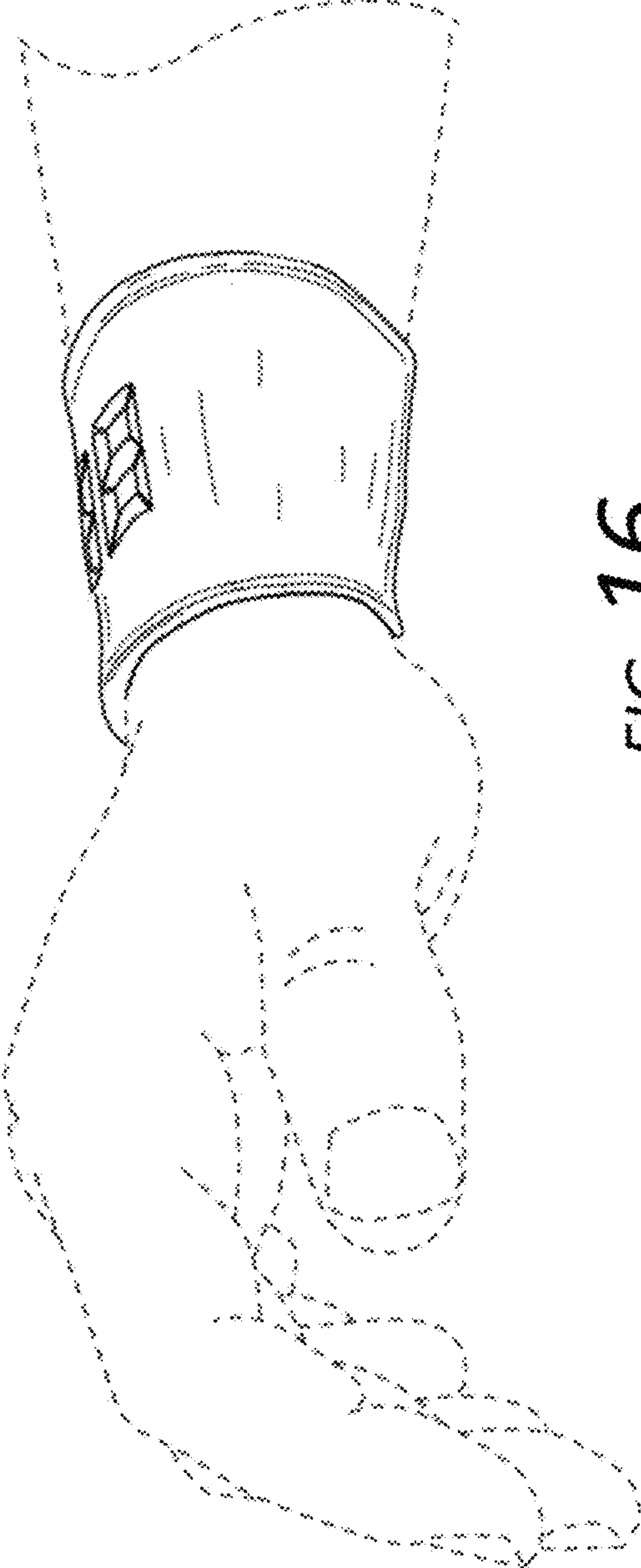


FIG. 16