



US00D785918S

(12) **United States Design Patent**
Vargo

(10) **Patent No.:** **US D785,918 S**

(45) **Date of Patent:** **** May 9, 2017**

(54) **ULTRA LIGHTWEIGHT TRAIL RUNNING SPIKES**

(71) Applicant: **Brian J. Vargo**, Lewisburg, PA (US)

(72) Inventor: **Brian J. Vargo**, Lewisburg, PA (US)

(**) Term: **15 Years**

(21) Appl. No.: **29/536,047**

(22) Filed: **Aug. 12, 2015**

(51) **LOC (10) Cl.** **02-04**

(52) **U.S. Cl.**
USPC **D2/962**

(58) **Field of Classification Search**
USPC D2/896, 906, 946, 962, 963, 968, 976
CPC A43B 1/00; A43B 3/00; A43B 5/00; A43B 5/06; A43B 5/18; A43B 5/185; A43B 7/14; A43B 7/36

See application file for complete search history.

(56) **References Cited**

U.S. PATENT DOCUMENTS

1,293,349	A *	2/1919	Cotter	A43C 15/06 36/7.6
2,367,736	A *	1/1945	Parsons	A43C 13/04 36/62
2,538,182	A *	1/1951	Young	A43C 15/10 36/7.6
2,685,141	A *	8/1954	Davenport	A43C 15/02 280/11.3
3,214,850	A *	11/1965	McNair	A43C 15/06 36/62
D342,150	S *	12/1993	Nava	D2/962
D362,109	S *	9/1995	Jones	D2/962
5,485,687	A *	1/1996	Rohde	A43C 15/063 36/59 R

D376,255	S *	12/1996	Ehmann	D2/962
5,737,856	A *	4/1998	Brockman	A43C 15/161 36/62
D453,987	S *	3/2002	Ray	D2/946
D479,905	S *	9/2003	Wright	D2/946
6,779,280	B2 *	8/2004	Wright	A43B 1/0081 36/114
D655,903	S *	3/2012	Kang	D2/946
D748,903	S *	2/2016	Lee	D2/946
D755,493	S *	5/2016	Gobbi	D2/962

* cited by examiner

Primary Examiner — Elizabeth J Oswecki

(74) *Attorney, Agent, or Firm* — Sonya C. Harris; Invention Services

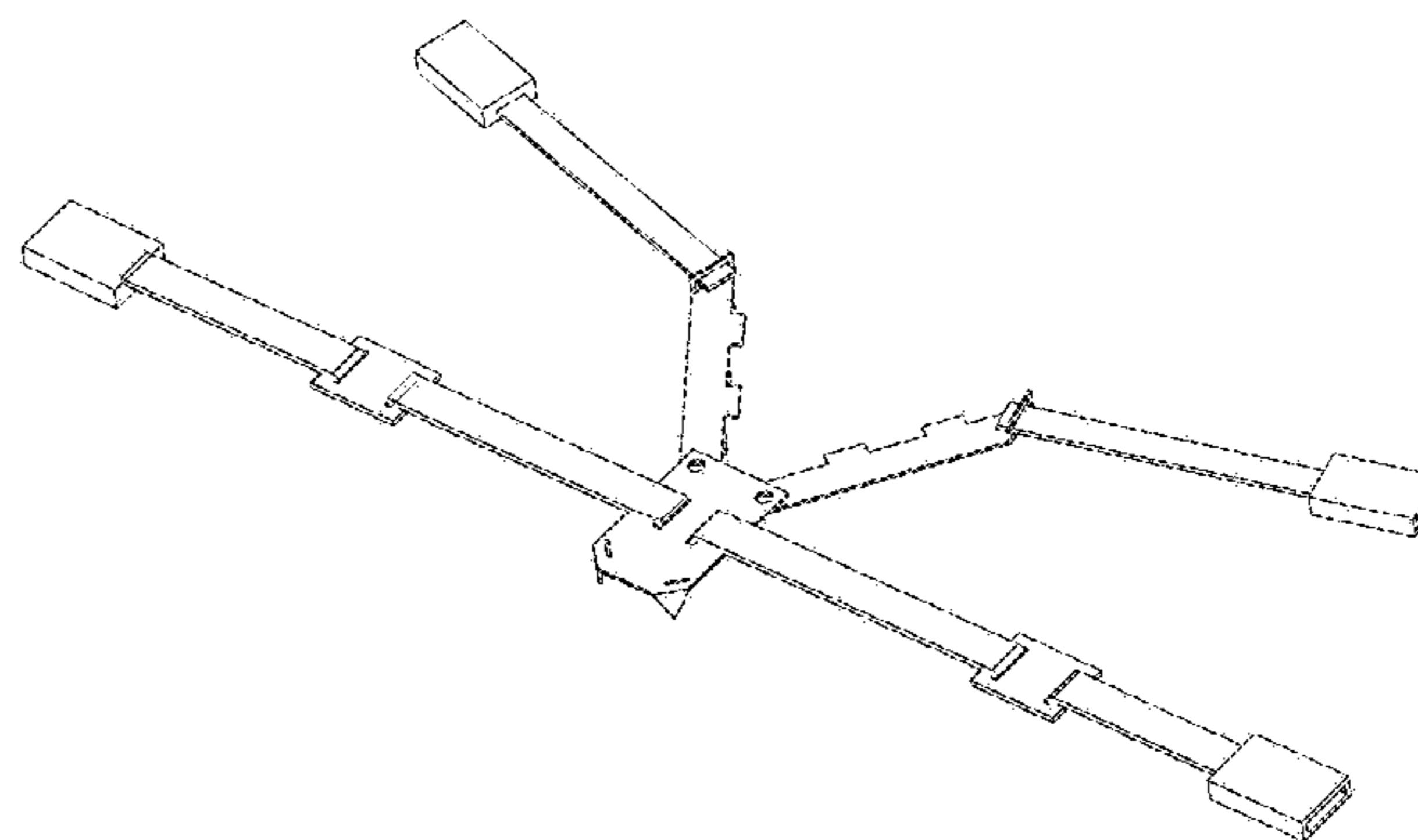
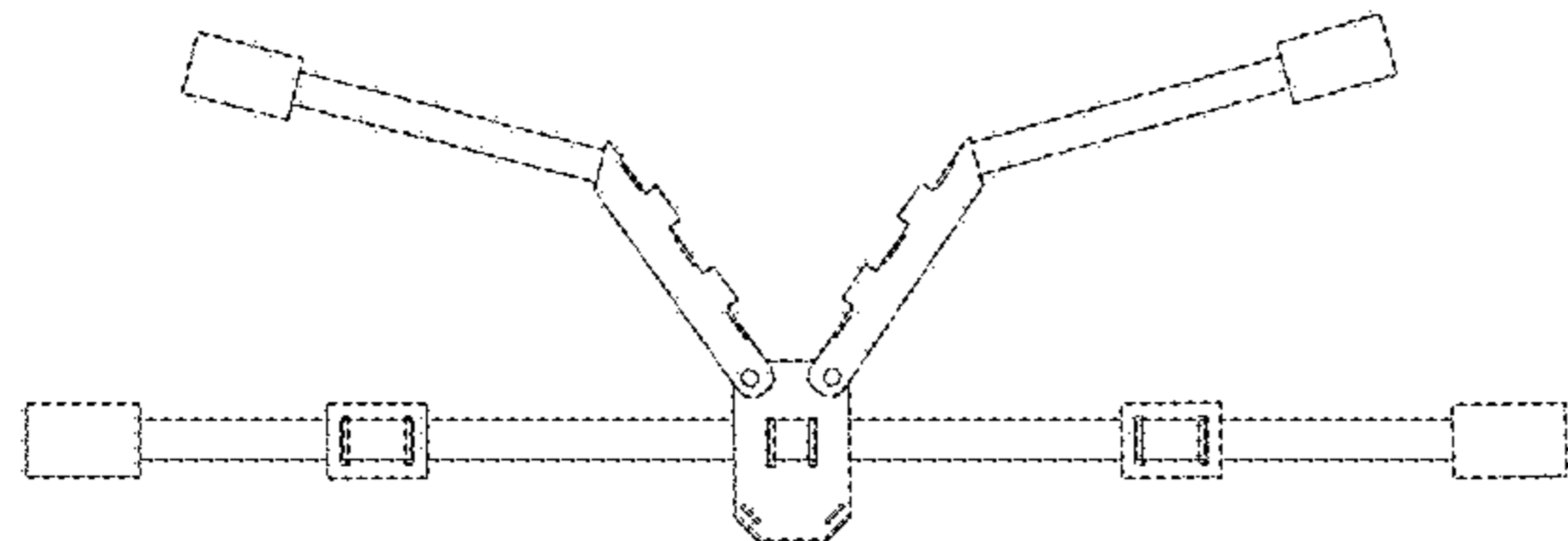
(57) **CLAIM**

The ornamental design for an ultra lightweight trail running spikes, as shown and described.

DESCRIPTION

FIG. 1 is a top plan view of an ultra lightweight trail running spikes, showing my new design in a fully open position; FIG. 2 is a front elevational view thereof; FIG. 3 is a rear elevational view thereof; FIG. 4 is a left side elevational view thereof; FIG. 5 is a right side elevational view thereof; FIG. 6 is a top perspective view thereof; FIG. 7 is a left side elevational view thereof, with the straps in a partially closed position; FIG. 8 is a rear elevational view thereof; FIG. 9 is a bottom perspective view thereof; FIG. 10 is a bottom plan view thereof, with the straps in a partially opened position; FIG. 11 is a front elevational view thereof; and, FIG. 12 is a top perspective view thereof.

1 Claim, 7 Drawing Sheets



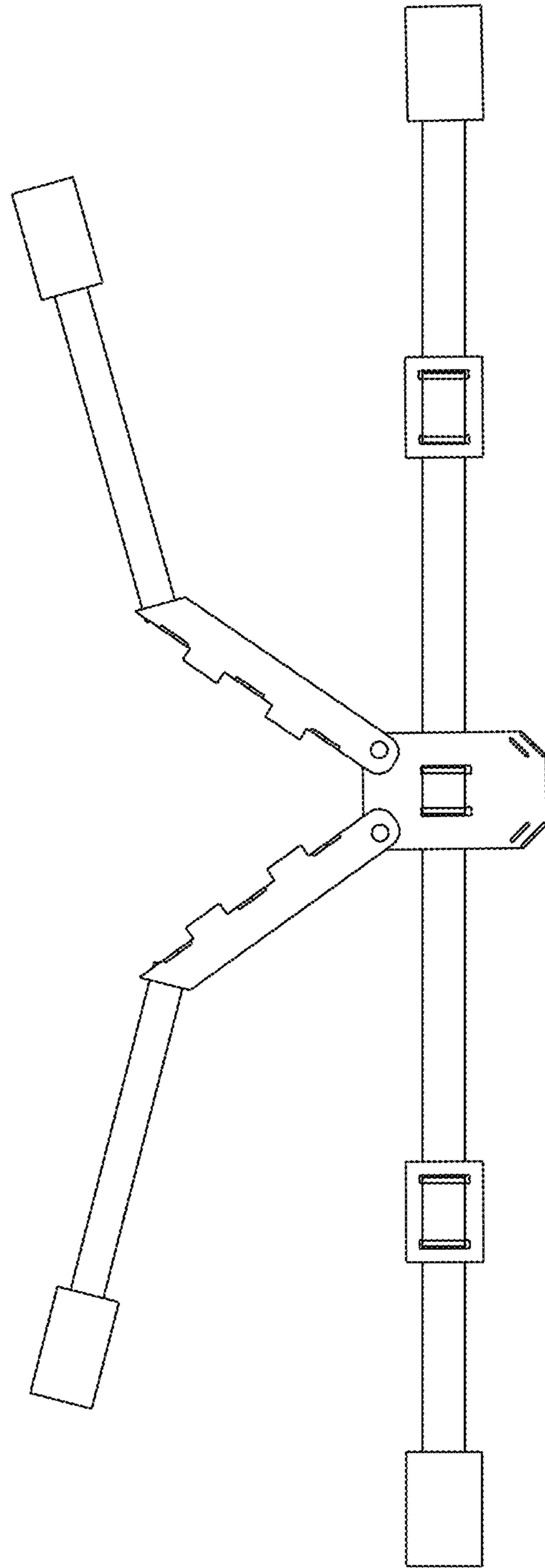


FIGURE 1

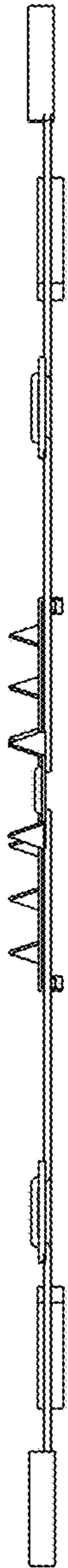


FIGURE 2

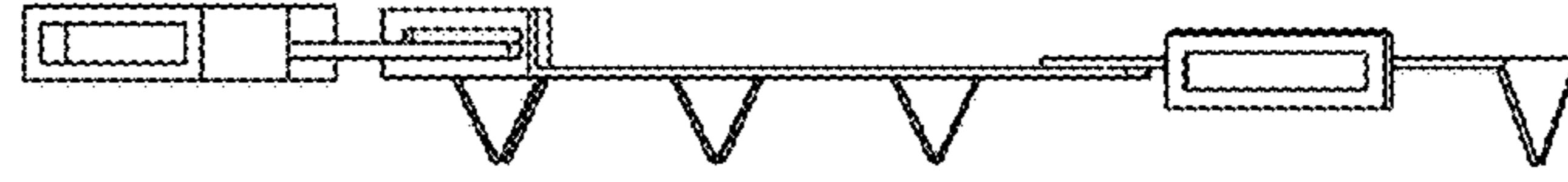


FIGURE 5

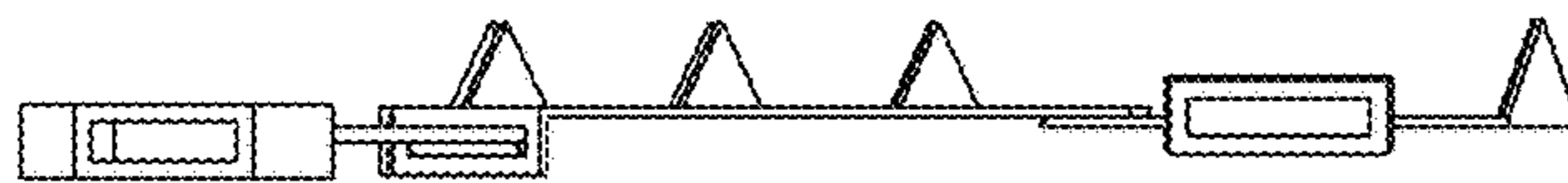


FIGURE 4

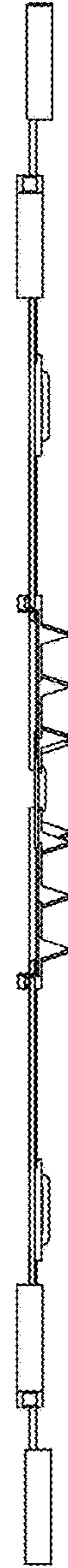


FIGURE 3

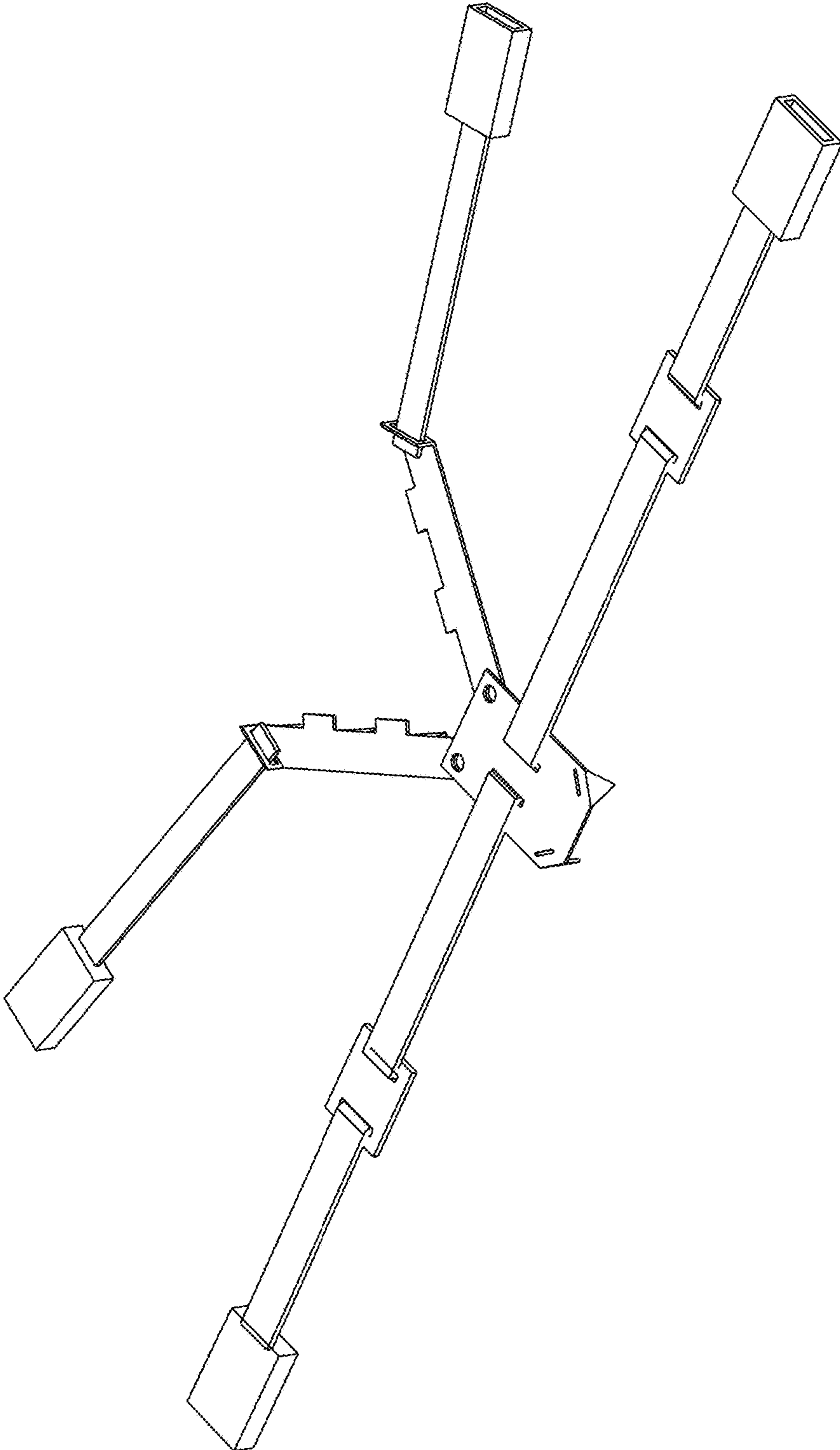


FIGURE 6

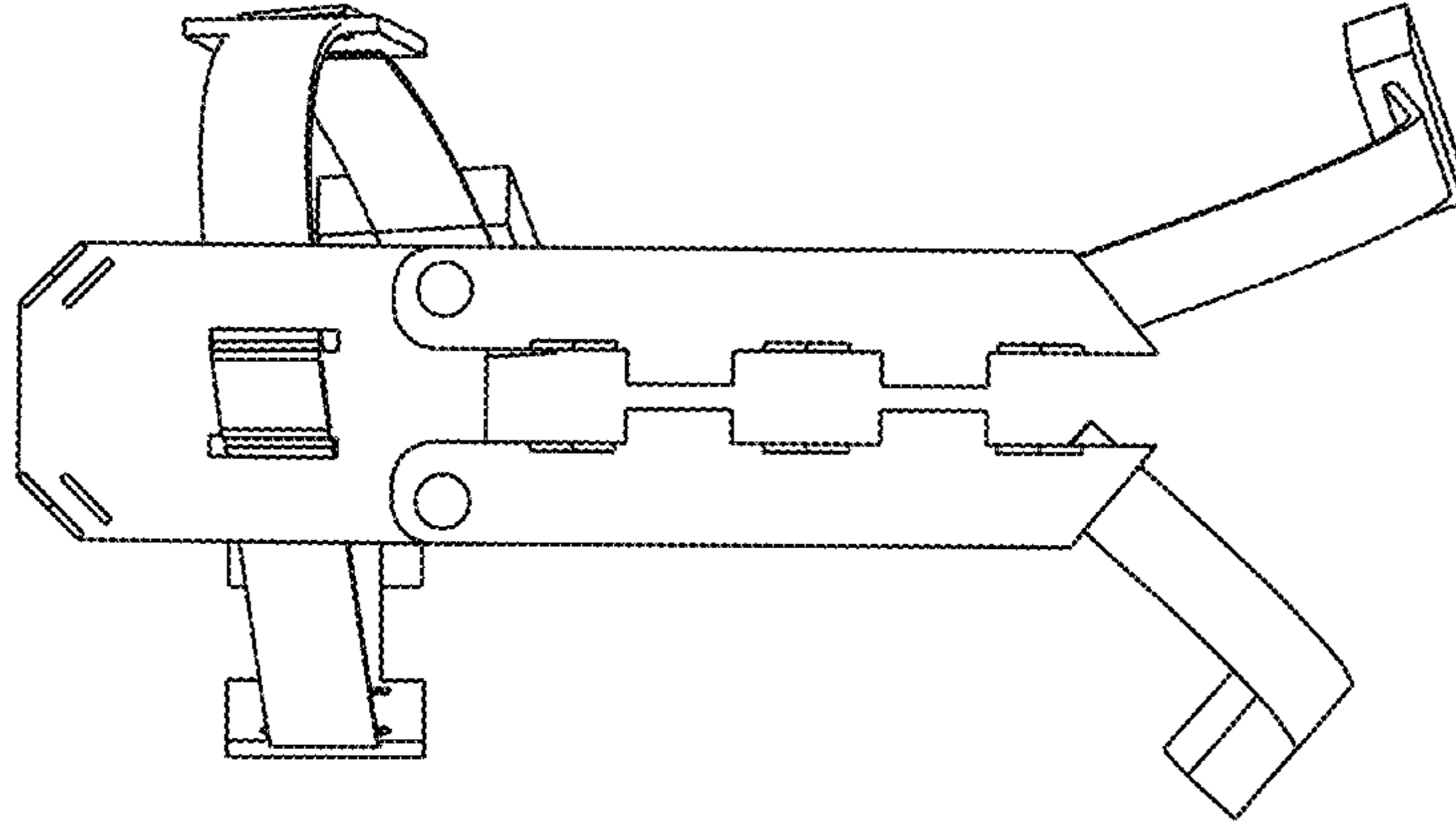


FIGURE 8

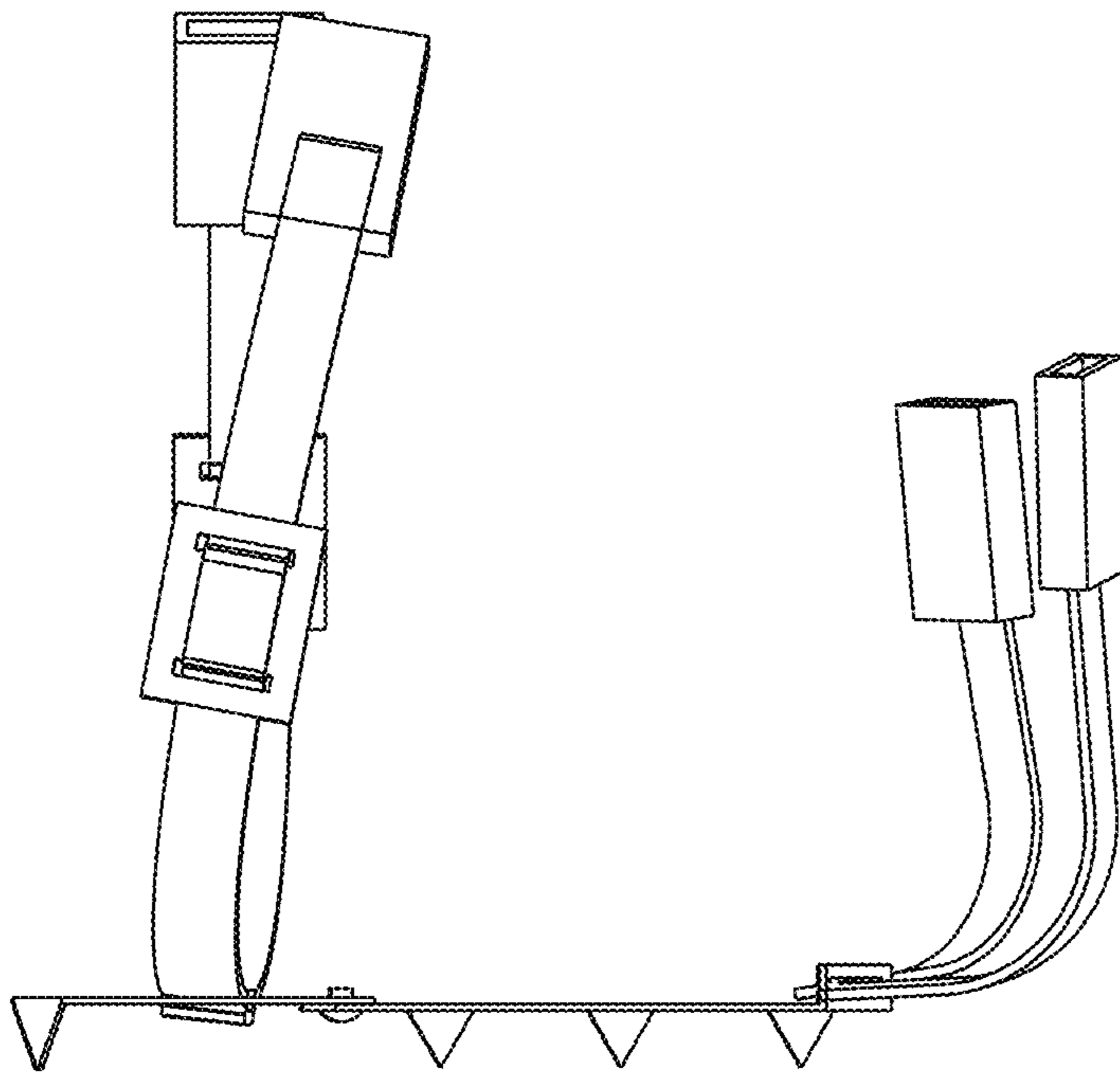


FIGURE 7

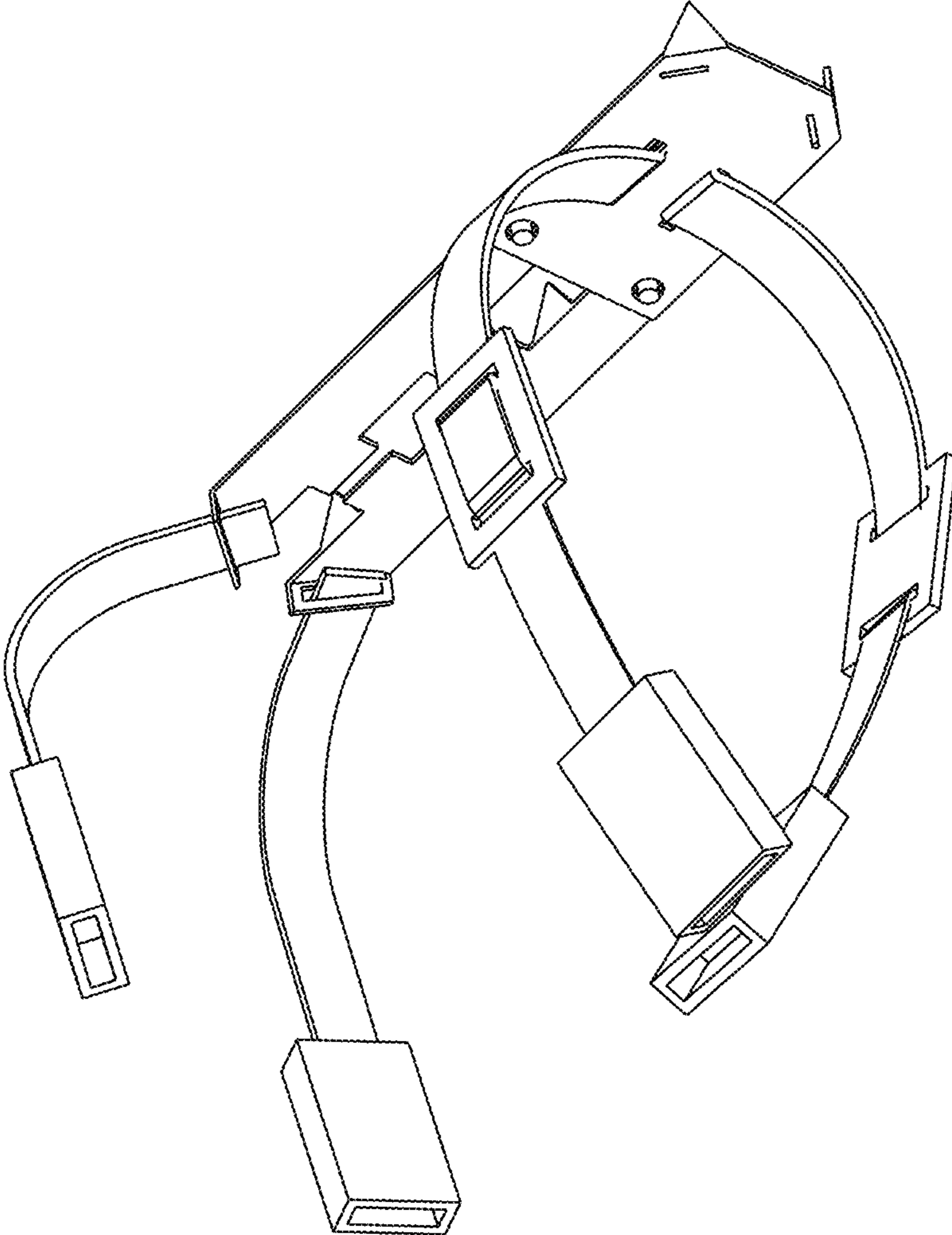


FIGURE 9

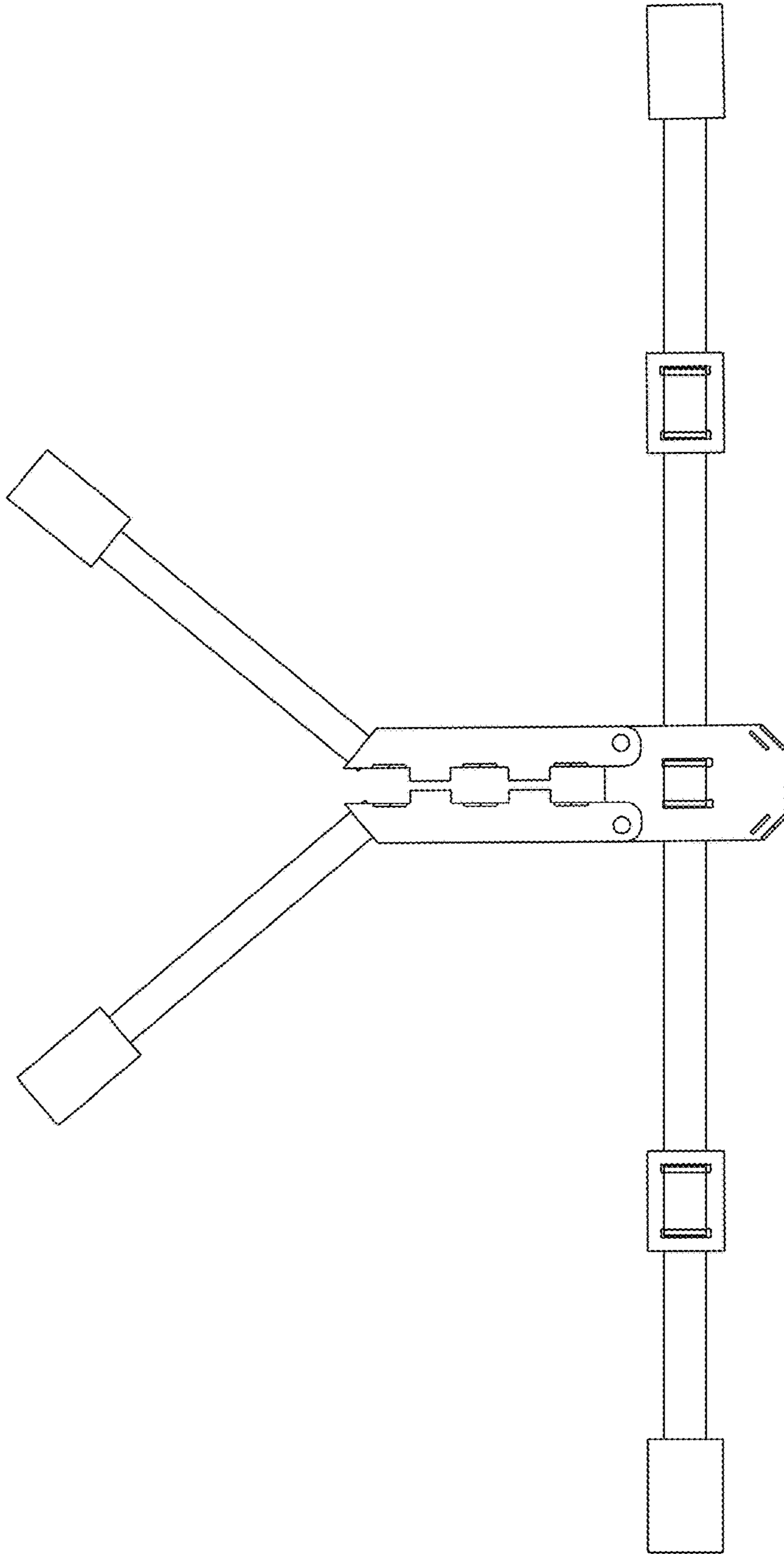


FIGURE 10



FIGURE 11

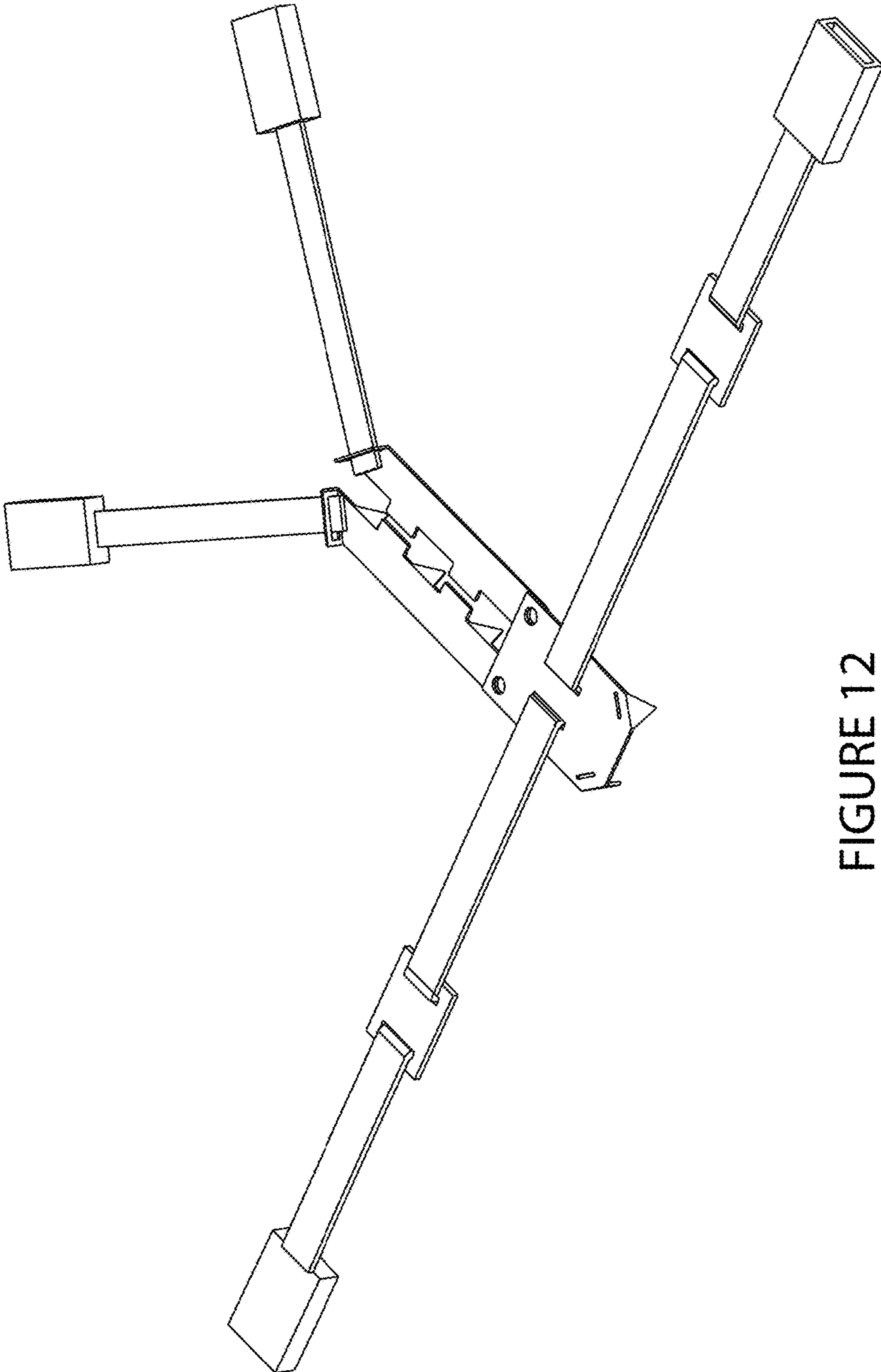


FIGURE 12