



US00D785913S

(12) **United States Design Patent**
Lubart

(10) **Patent No.:** **US D785,913 S**

(45) **Date of Patent:** **** *May 9, 2017**

(54) **OVERSHOE**

(71) Applicant: **Shoes For Crews, LLC**, West Palm Beach, FL (US)

(72) Inventor: **Randy N Lubart**, Palm Beach Gardens, FL (US)

(73) Assignee: **Shoes For Crews, LLC**, West Palm Beach, FL (US)

(*) Notice: This patent is subject to a terminal disclaimer.

(**) Term: **15 Years**

(21) Appl. No.: **29/527,892**

(22) Filed: **May 22, 2015**

(51) **LOC (10) Cl.** **02-04**

(52) **U.S. Cl.**
USPC **D2/909; D2/951; D2/957; D2/960**

(58) **Field of Classification Search**
USPC D2/896, 907-909, 914, 946, 947, 951, D2/952, 953-955, 969; D6/583
CPC A43B 1/10; A43B 5/18; A43B 1/00; A43B 5/00
See application file for complete search history.

(56) **References Cited**

U.S. PATENT DOCUMENTS

D125,523 S *	2/1941	Oakley	D6/583
3,486,248 A *	12/1969	Iversen	A43B 1/10 36/7.3
D369,457 S *	5/1996	Weston	D2/914
D385,092 S *	10/1997	Holden	D2/909

D446,912 S *	8/2001	Cockrell	D2/909
D514,287 S *	2/2006	Cockrell	D2/947
D599,087 S *	9/2009	Kay	D2/909
D611,691 S *	3/2010	Lubart	D2/946
D619,346 S *	7/2010	Moon	D2/951
D625,091 S *	10/2010	Moon	D2/951
D628,366 S *	12/2010	Ringdal	D2/909
D639,539 S *	6/2011	Lubart	D2/951

* cited by examiner

Primary Examiner — Holly Baynham

Assistant Examiner — Rashida C Walshon

(74) *Attorney, Agent, or Firm* — McHale & Slavin, P.A.

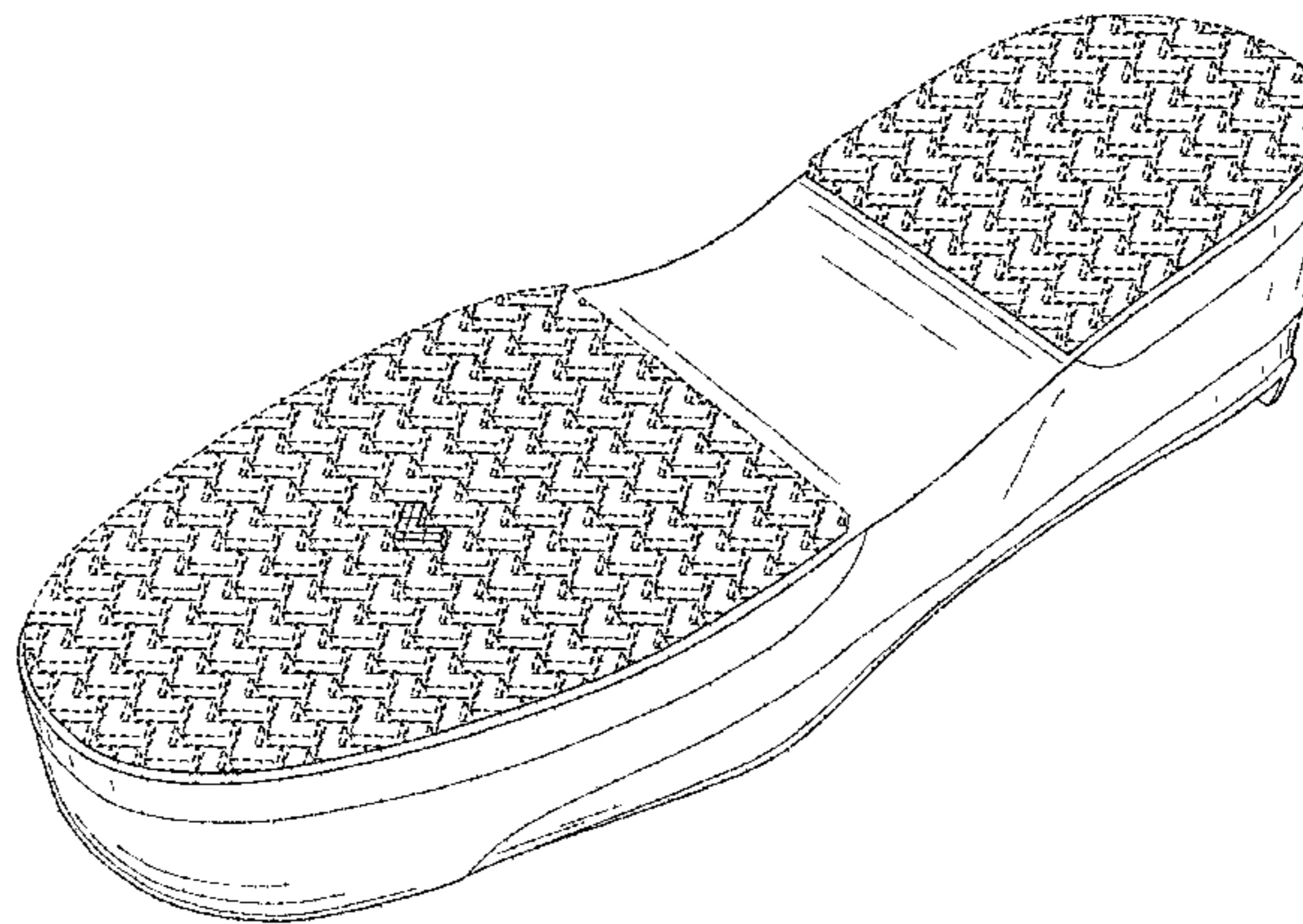
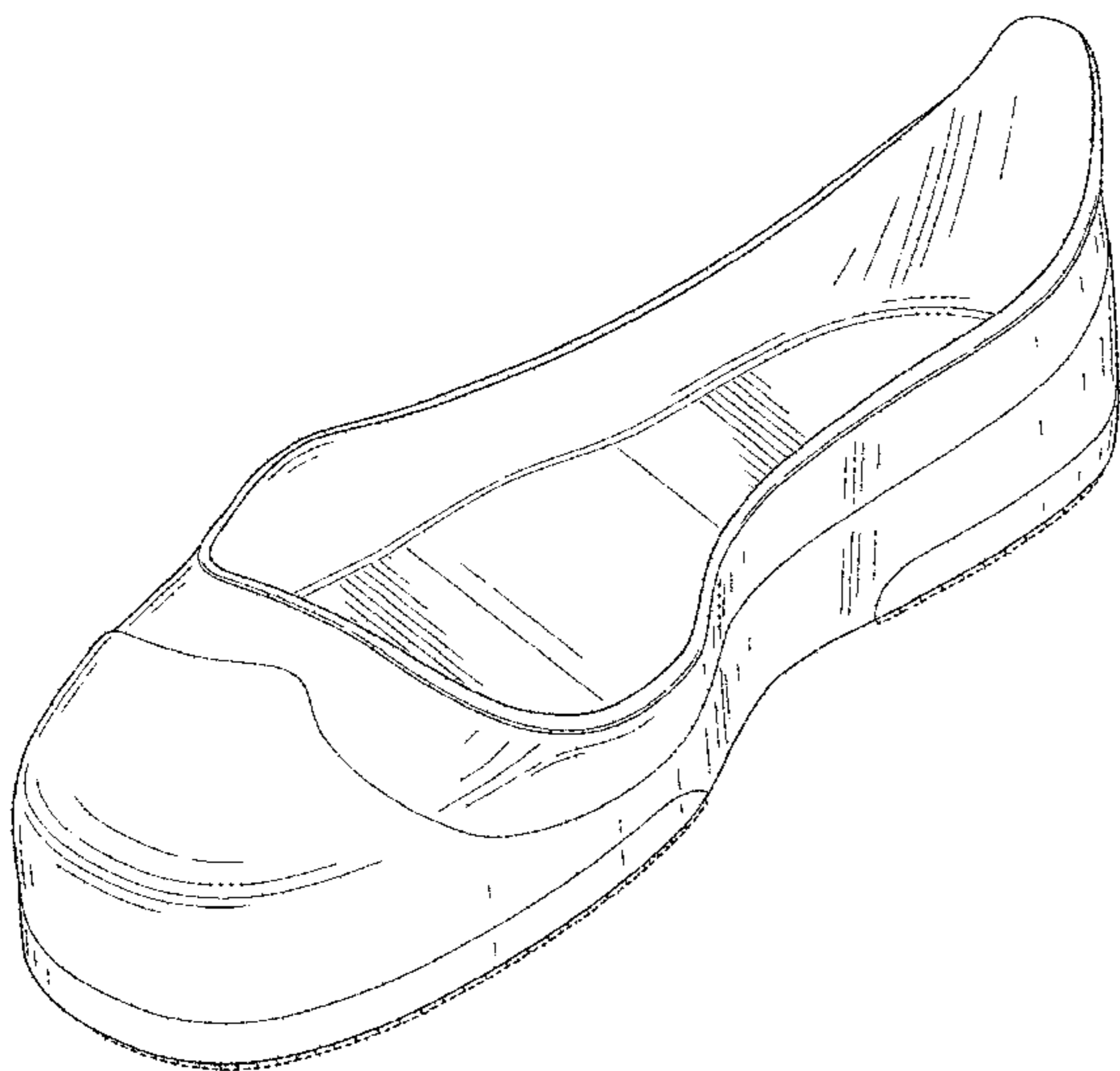
(57) **CLAIM**

The ornamental design for an overshoe, as shown and described.

DESCRIPTION

FIG. 1 is a front left isometric view of the overshoe of the present invention;
FIG. 2 is an isometric bottom view thereof;
FIG. 3 is an isometric view of one tread member thereof;
FIG. 4 is a left side view thereof;
FIG. 5 is a right side view thereof;
FIG. 6 is a top view thereof;
FIG. 7 is a bottom view thereof;
FIG. 8 is a front view thereof;
FIG. 9 is a rear view thereof; and,
FIG. 10 is an environmental view, illustrating the overshoe of the invention in cooperation with an inner shoe.
The portions of the overshoe shown in broken lines form no part of the claimed subject matter.

1 Claim, 8 Drawing Sheets



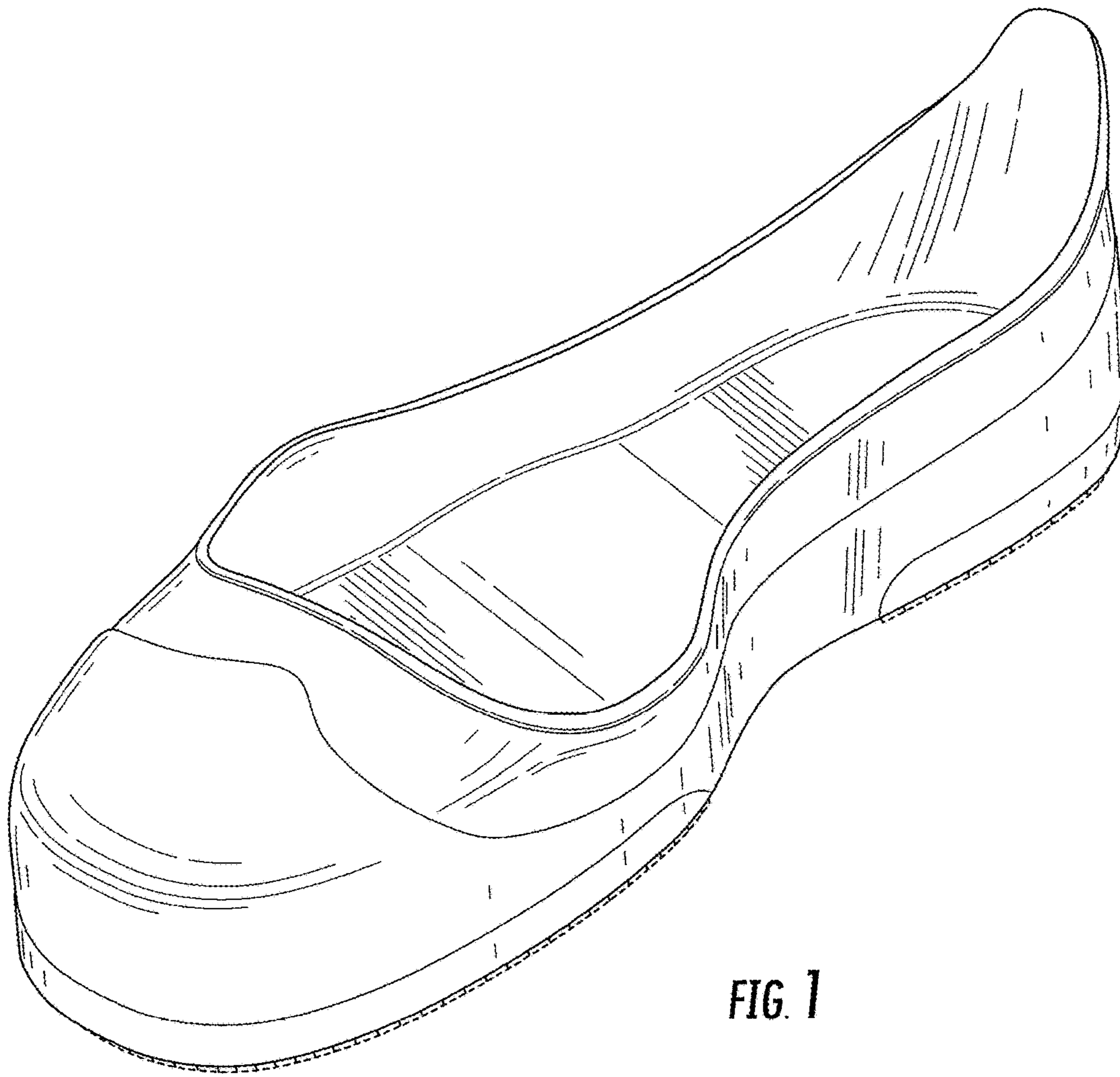


FIG. 1

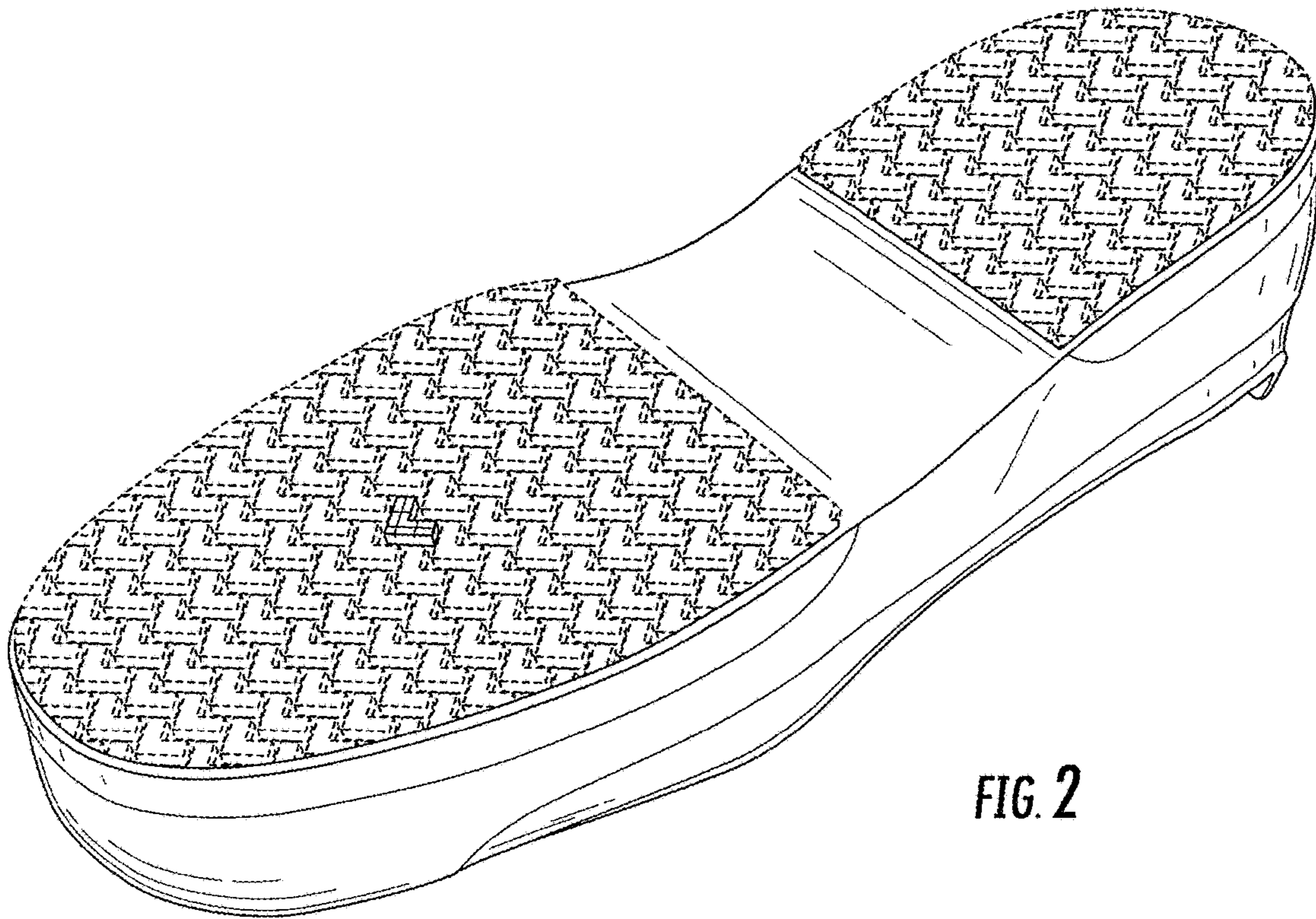


FIG. 2

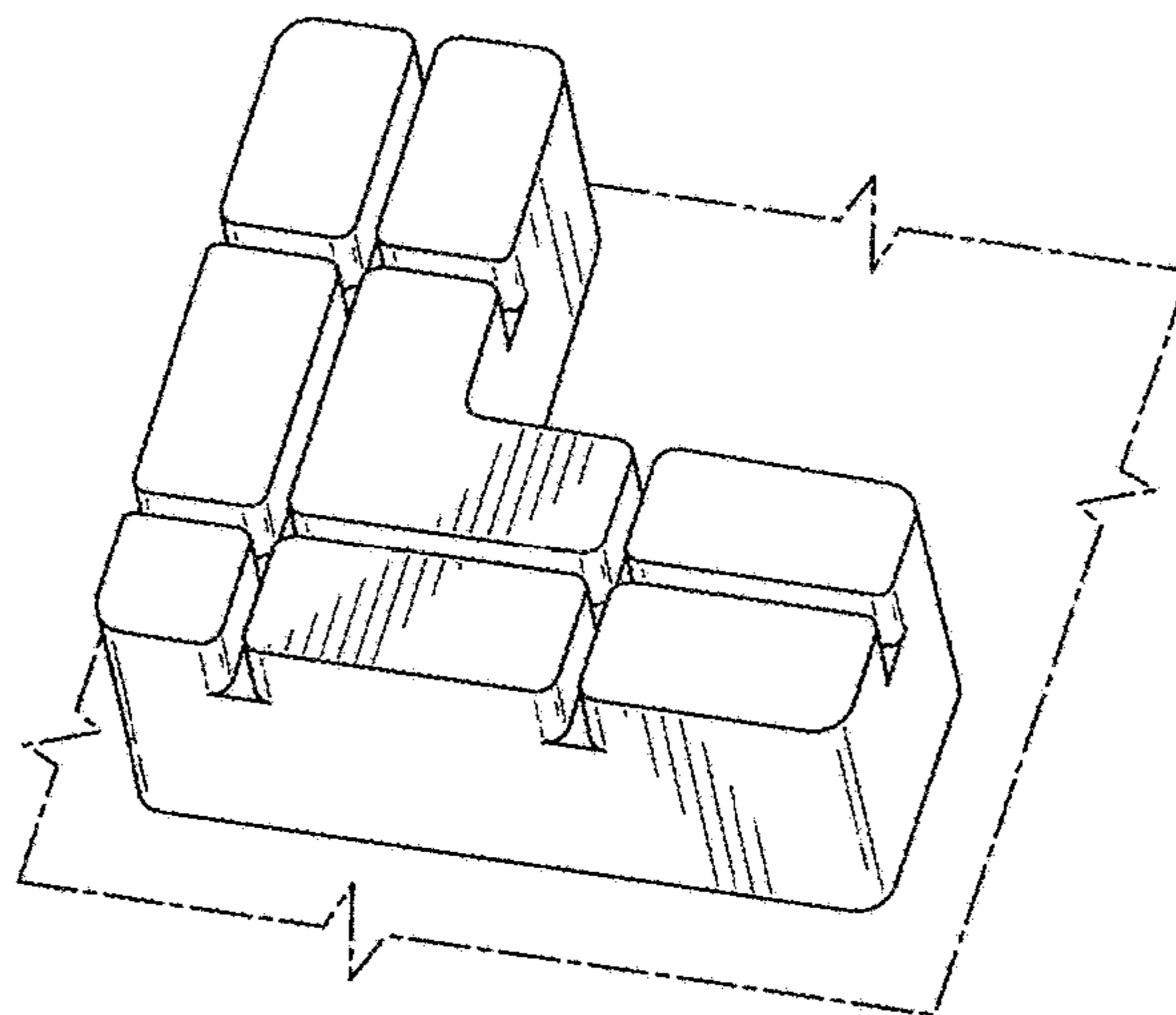


FIG. 3

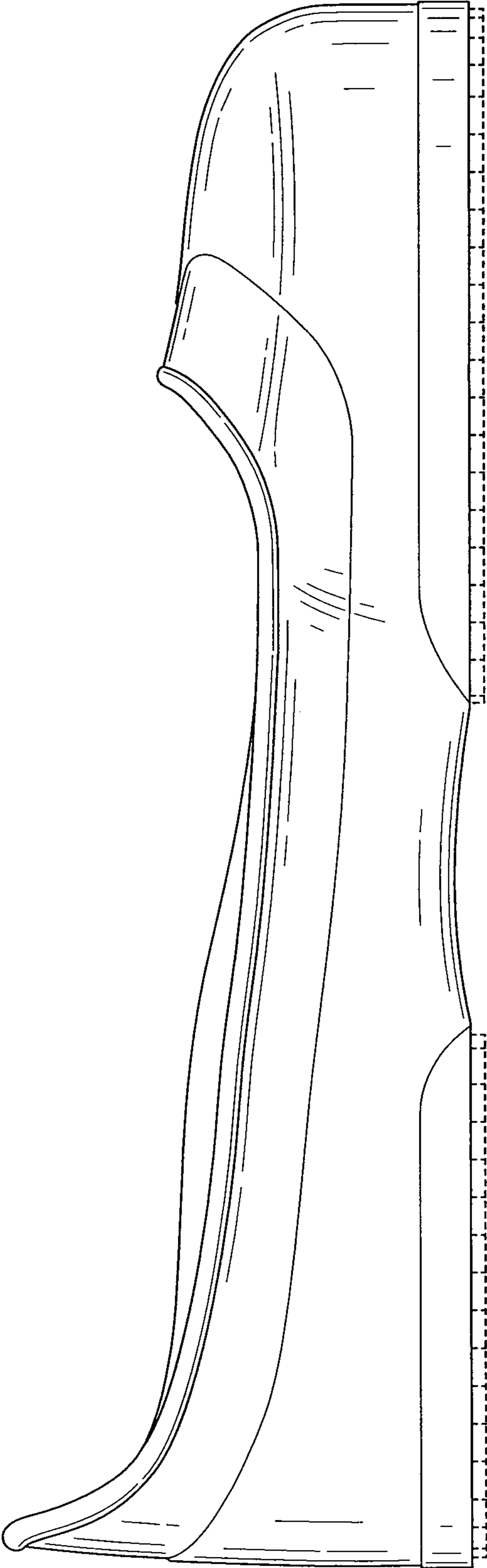


FIG. 4

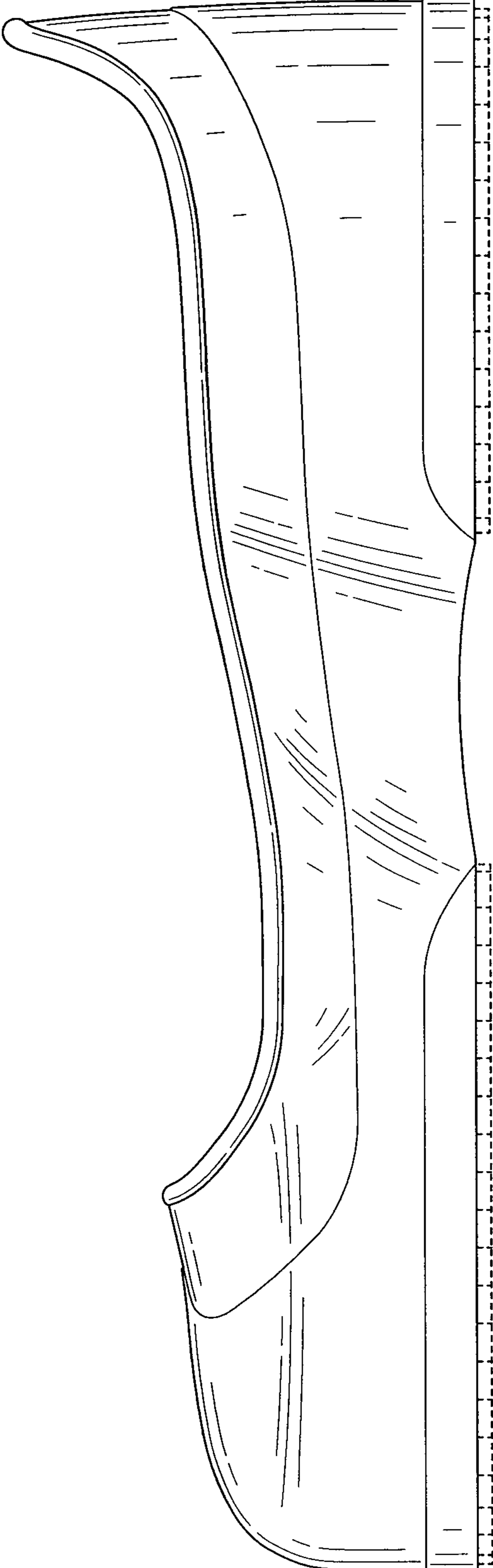


FIG. 5

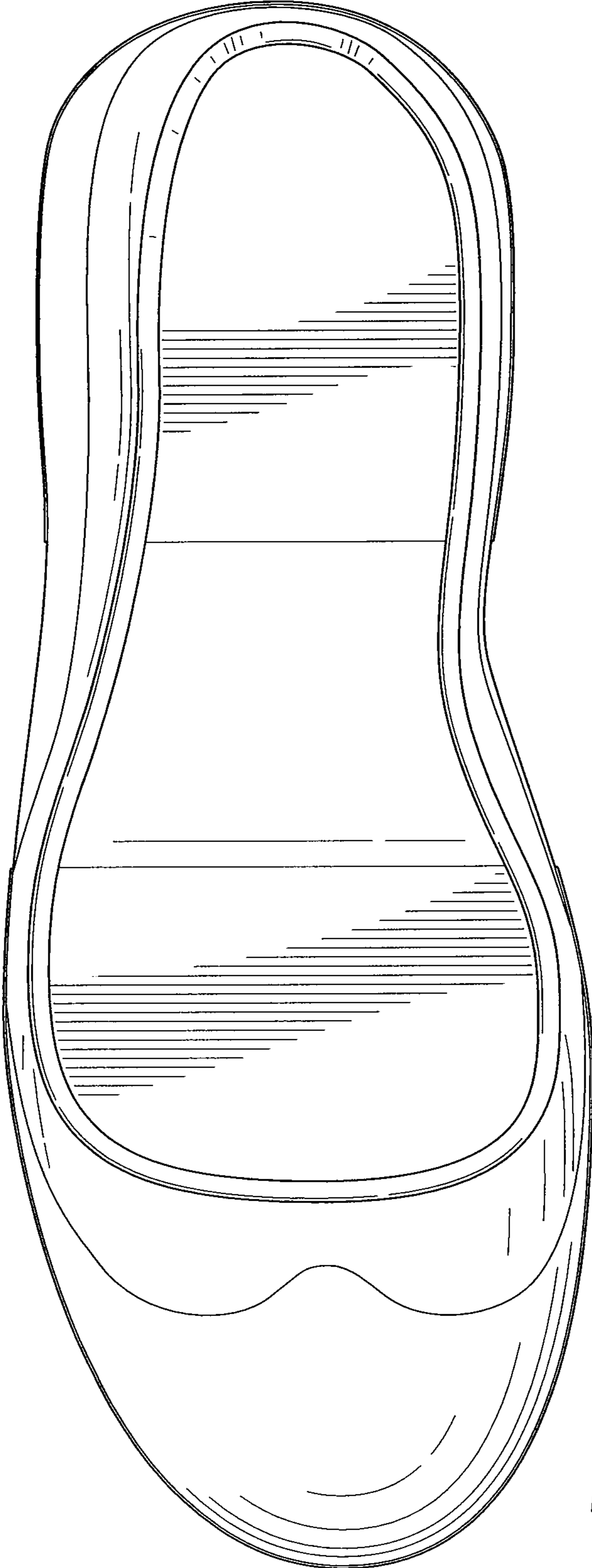


FIG. 6

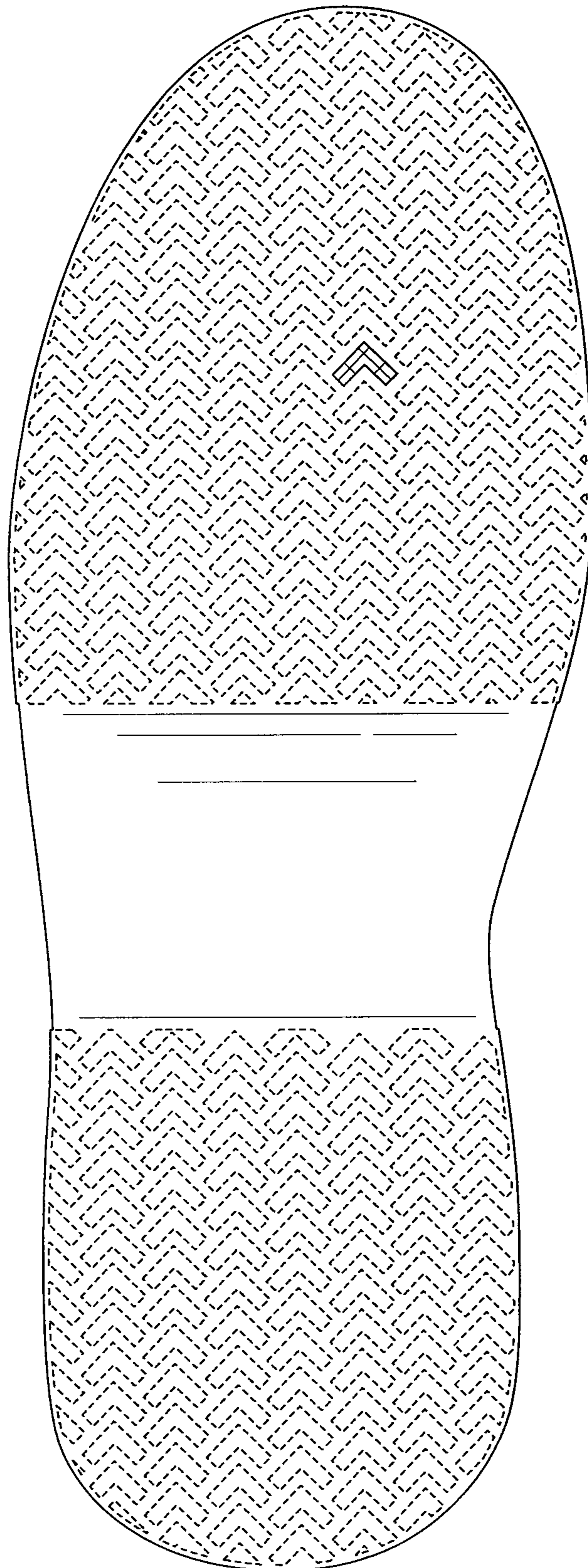


FIG. 7

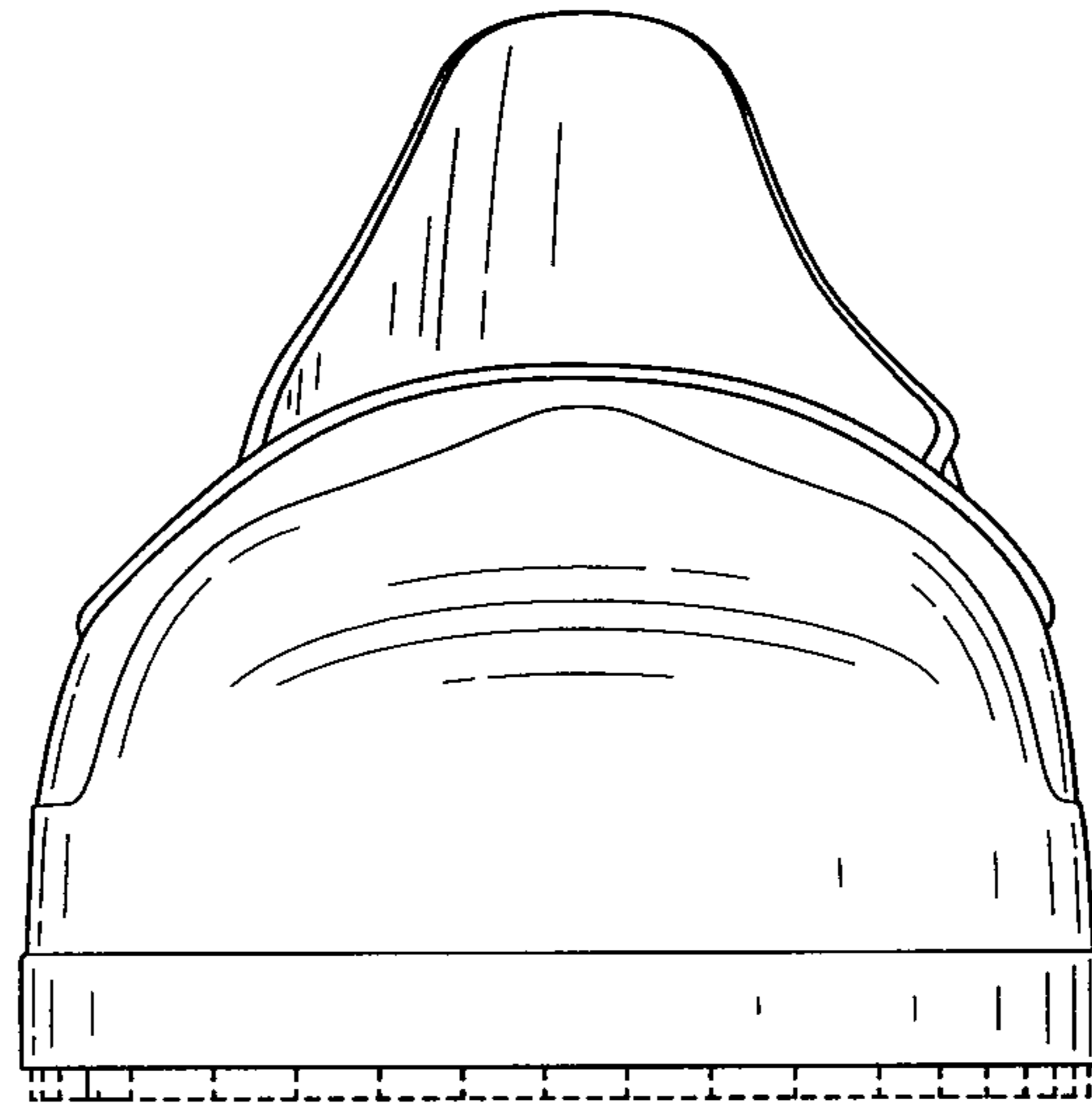


FIG. 8

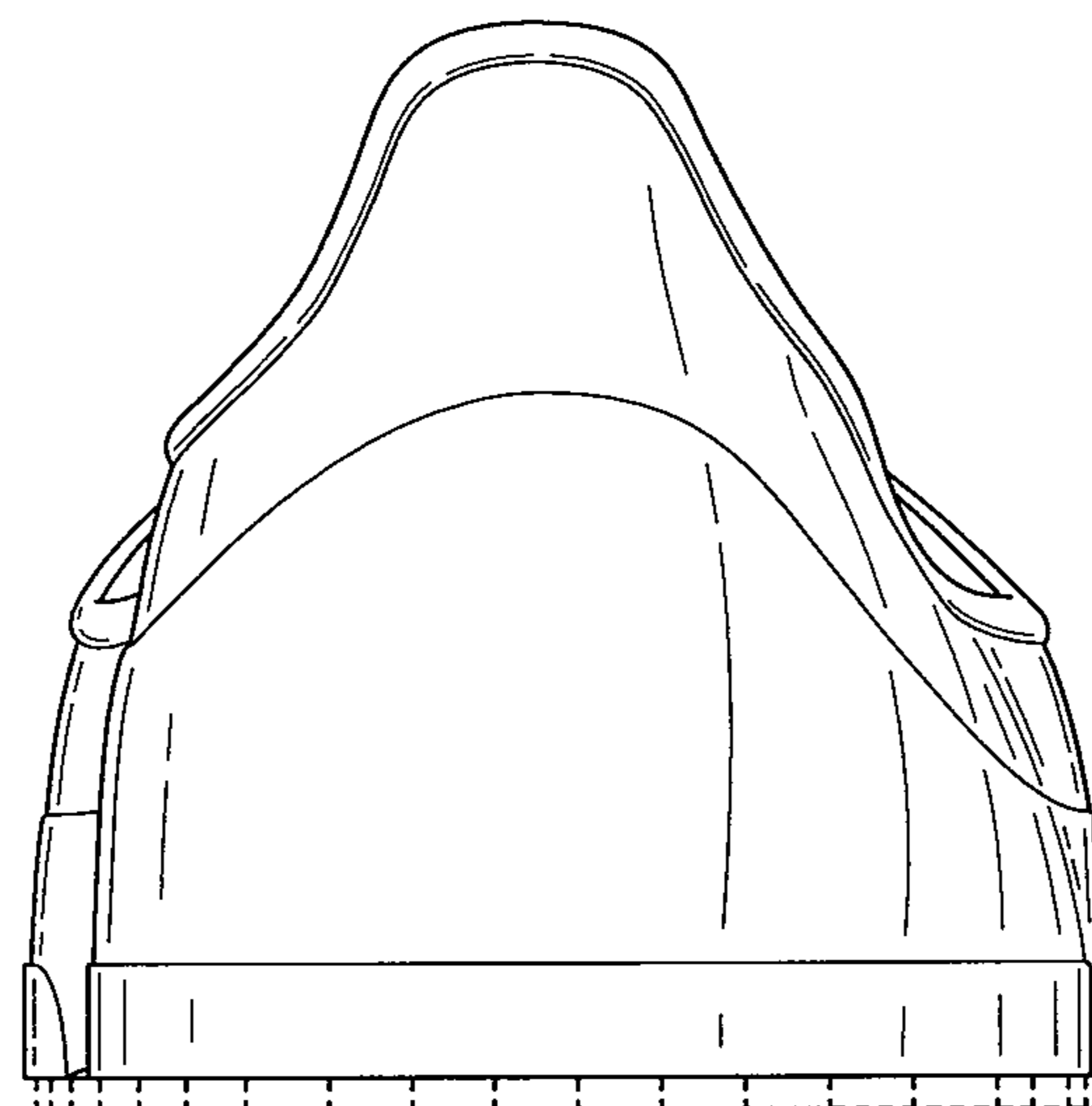


FIG. 9



FIG. 10