



US00D785911S

(12) **United States Design Patent** (10) **Patent No.:** **US D785,911 S**
Arenson et al. (45) **Date of Patent:** **** May 9, 2017**

- (54) **BOONIE HAT**
- (71) Applicant: **Global Sourcing Connection, Ltd.**,
Riverwoods, IL (US)
- (72) Inventors: **Marty Arenson**, Deerfield, IL (US);
Noel Teves, Deerfield, IL (US)
- (73) Assignee: **GLOBAL SOURCING CONNECTION, LTD.**, Riverwoods, IL (US)
- (**) Term: **15 Years**
- (21) Appl. No.: **29/546,497**
- (22) Filed: **Nov. 23, 2015**

Related U.S. Application Data

- (63) Continuation-in-part of application No. 29/514,966, filed on Jan. 19, 2015, now Pat. No. Des. 755,483, which is a continuation of application No. 29/432,985, filed on Sep. 24, 2012, now Pat. No. Des. 721,224.
- (51) **LOC (10) Cl.** **02-03**
- (52) **U.S. Cl.**
USPC **D2/886**
- (58) **Field of Classification Search**
None
See application file for complete search history.

(56) **References Cited**

U.S. PATENT DOCUMENTS

1,494,249 A	5/1924	Johnson
1,706,205 A	3/1929	Alonzo
1,780,801 A	11/1930	Shlenker
1,802,262 A	4/1931	Mahler
2,367,006 A	1/1945	Cope
2,472,033 A	5/1949	Wetzel
2,728,913 A	1/1956	Connor

2,769,272 A	11/1956	Goldman
4,214,318 A	7/1980	Gomez
5,694,647 A	12/1997	Crickmore
5,790,986 A	8/1998	Hall
5,950,241 A	9/1999	Gomez
6,260,204 B1	7/2001	Morrissey

(Continued)

OTHER PUBLICATIONS

Brim 360 Detasseling hat (on-line), dated Jan. 13, 2015. Retrieved from Internet Nov. 1, 2016, URL: <https://web.archive.org/web/20150113031624/http://www.detasselingppe.com/product/brim-360> (1 page).*

(Continued)

Primary Examiner — Karen E. Eldridge Powers
Assistant Examiner — Kimberly Barnes
(74) *Attorney, Agent, or Firm* — McAndrews, Held & Malloy, Ltd.

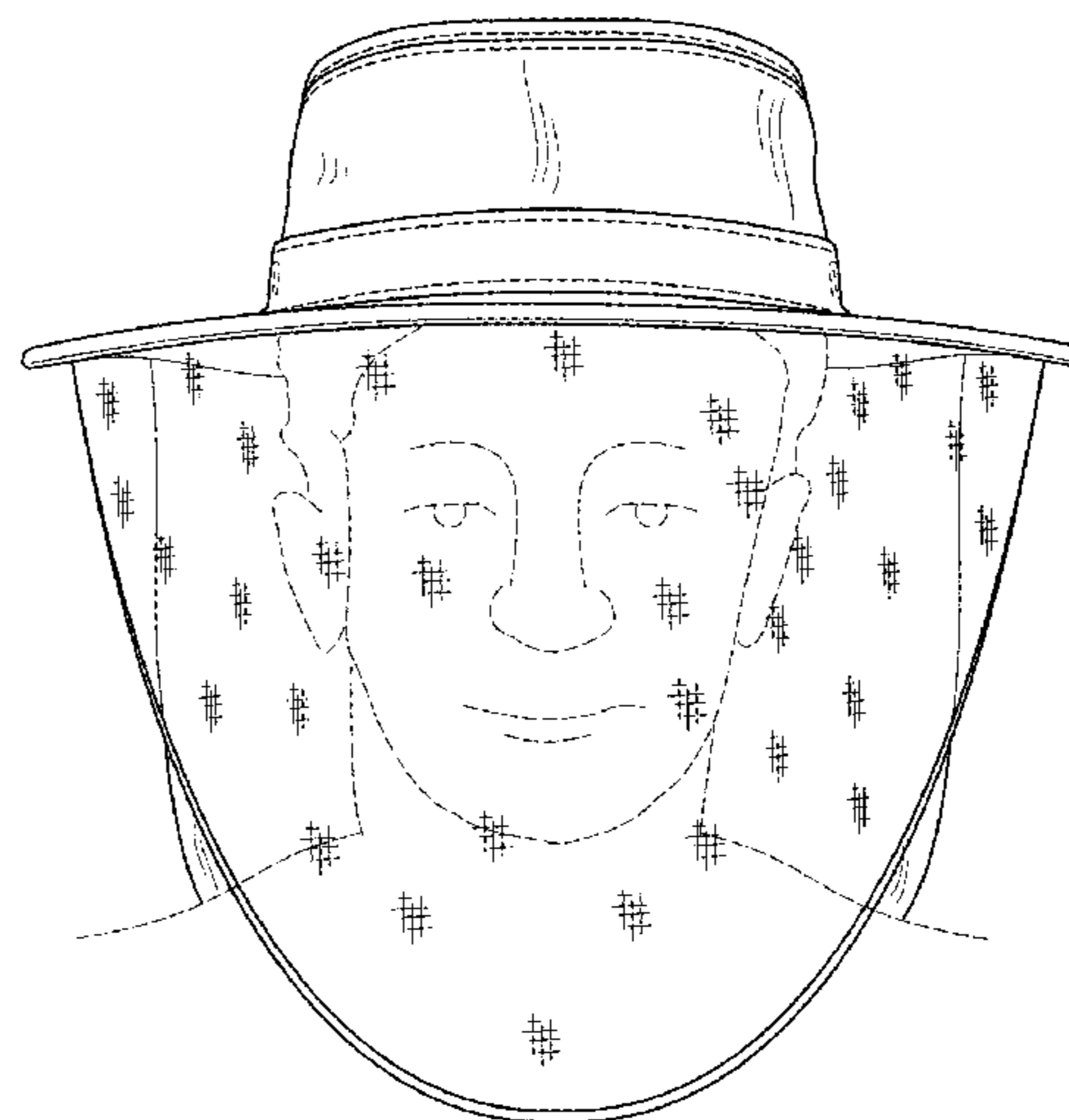
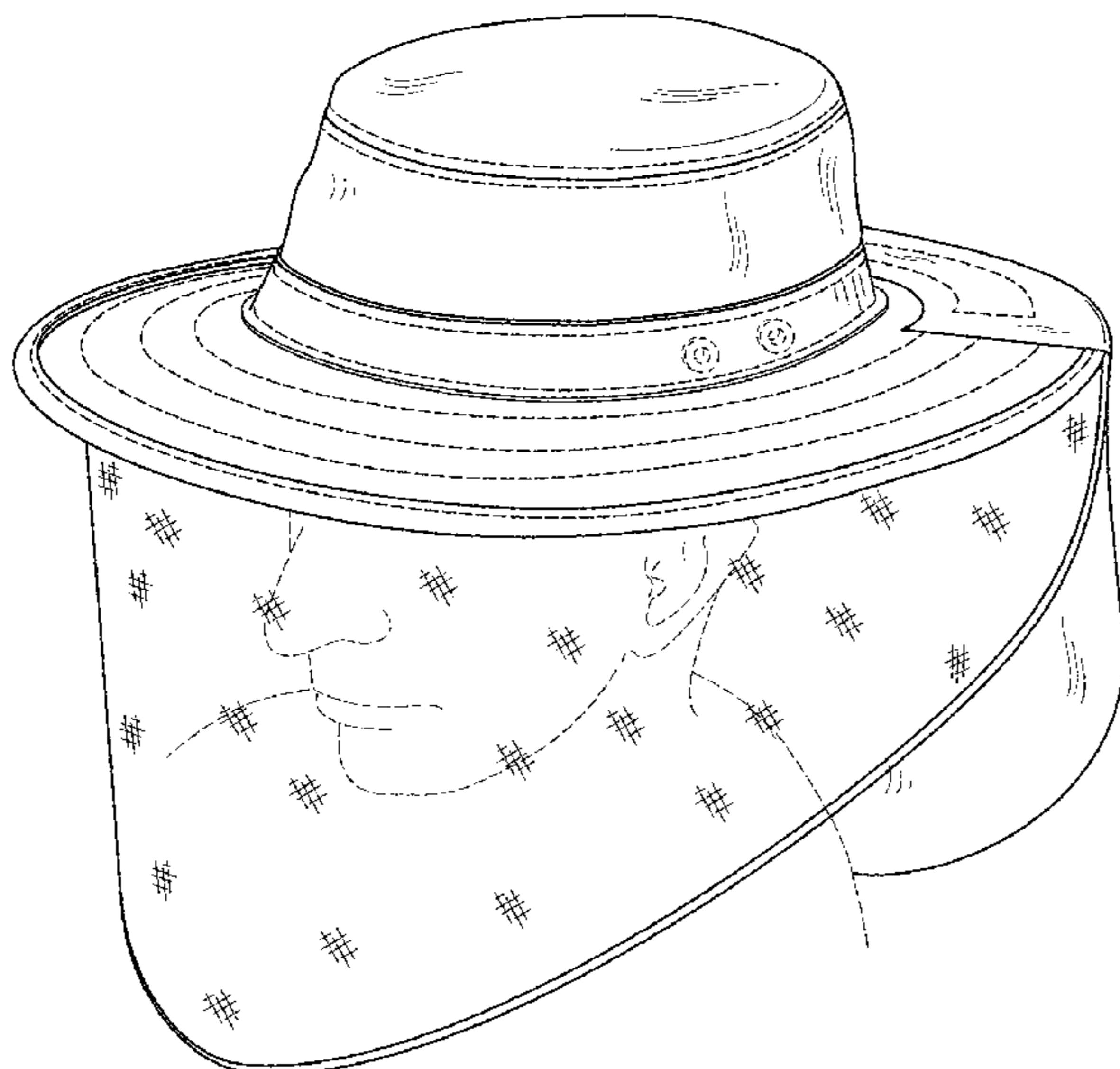
(57) **CLAIM**

We claim the ornamental design for a boonie hat, substantially as shown and described.

DESCRIPTION

FIG. 1 is a front perspective view of our new design for a boonie hat with attached protective elements.
FIG. 2 is a top plan view thereof;
FIG. 3 is a front elevational view thereof.
FIG. 4 is a rear elevational view thereof;
FIG. 5 is a left side elevational view thereof; and,
FIG. 6 is a top plan view of the boonie hat without the protective elements shown, for clarity of illustration.
The broken lines showing a partial human figure represent environmental subject matter and form no part of the claimed design. The broken lines shown on the boonie hat are lines of stitching that are a part of the claimed design.

1 Claim, 6 Drawing Sheets



(56)

References Cited

U.S. PATENT DOCUMENTS

6,588,021	B2	7/2003	Kronenberger
D478,409	S	8/2003	Lesley
7,055,179	B2	6/2006	Warner
7,107,625	B2	9/2006	St-Germain
D532,185	S	11/2006	St-Germain
7,240,372	B2	7/2007	Larson
D593,732	S	6/2009	Tilley
D594,185	S	6/2009	Lacy
D619,788	S	7/2010	Lacy
7,971,278	B2	7/2011	Klamerus, Jr.
D670,891	S	11/2012	Bayley
D681,926	S	5/2013	Votel
D684,342	S	6/2013	Arenson
D684,753	S	6/2013	Arenson
D721,224	S	1/2015	Arenson
2010/0257659	A1	10/2010	Hitch
2014/0047617	A1	2/2014	Abers
2015/0047112	A1	2/2015	Foster

OTHER PUBLICATIONS

Neck Shade PPE by Carmen's Creations (on-line). Available on Internet at least as early as Jan. 17, 2015; downloaded from Internet Nov. 5, 2016, URL: <http://web.archive.org/web/20150117111602/http://www.detasselingppe.com/product/neck-shade/> (5 pages).*

Office Action dated Jan. 20, 2016, U.S. Appl. No. 29/514,966, filed Jan. 19, 2015.

Two-page printout of website for Carmen's Creations at <http://www.detasselingppe.com/store.html>, accessed on Aug. 30, 2013.

Nine photographs, taken on Aug. 30, 2013, by staff of counsel for Applicant, of a hat offered for sale by Carmen's Creations Performance Textile Solutions, PO Box 48063. Seattle, WA 98148, showing various views of the hat with screen attached to the underside of the brim of the hat. The date of first sale or public disclosure of this hat is not known, but may be prior to Dec. 7, 2010 (which is one year before the filing of Applicant's provisional application for patent).

* cited by examiner

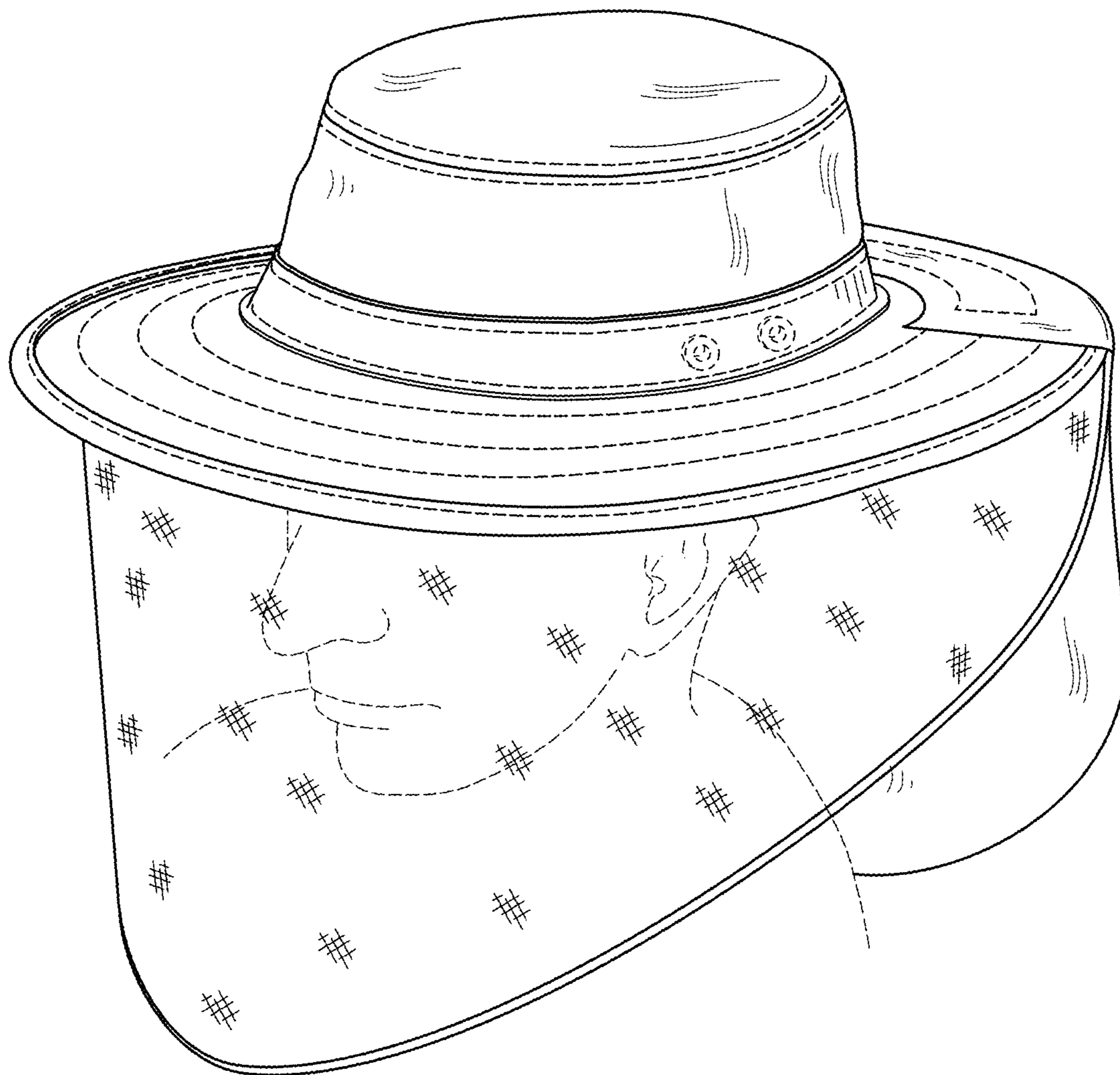


FIG. 1

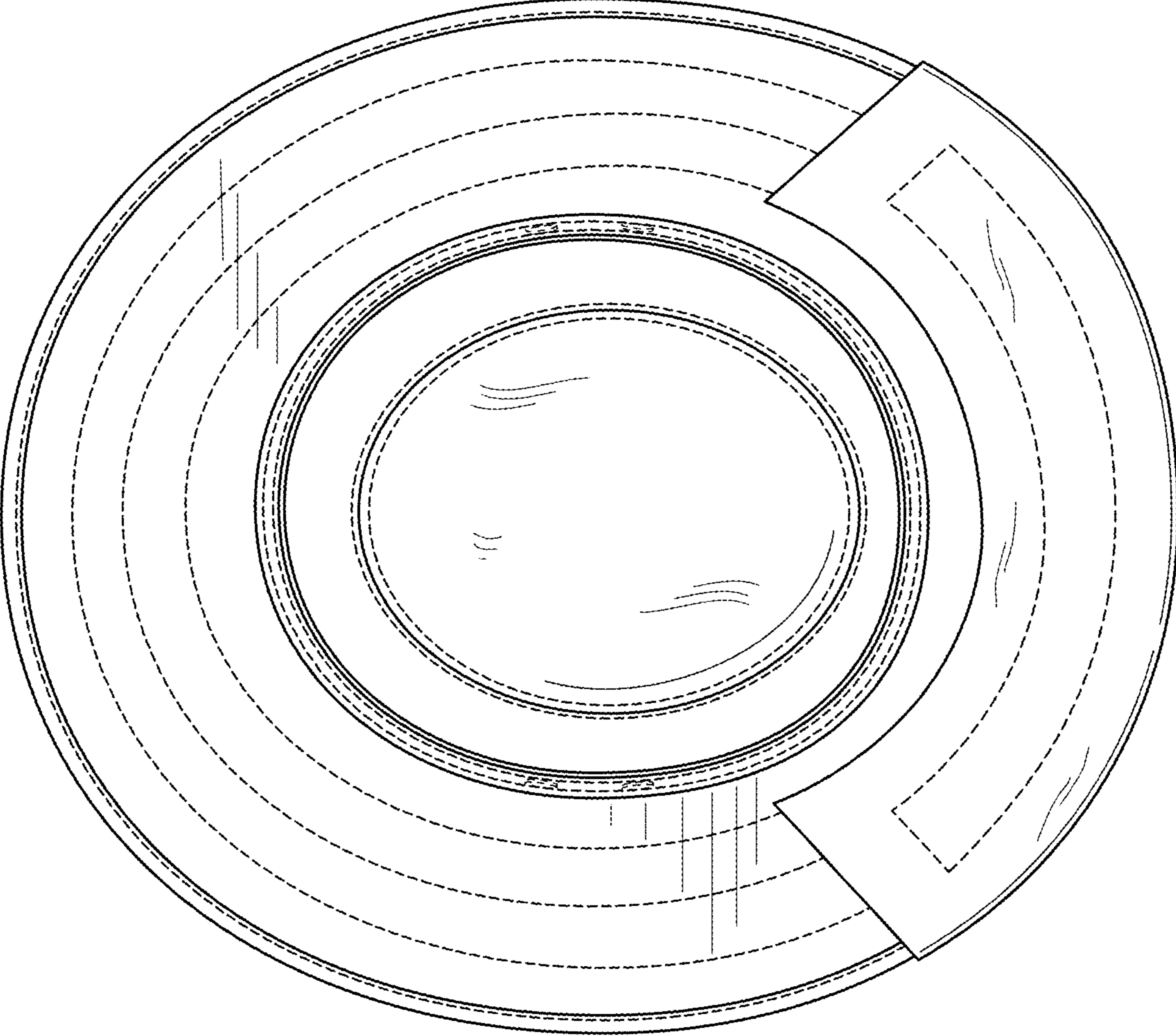


FIG. 2

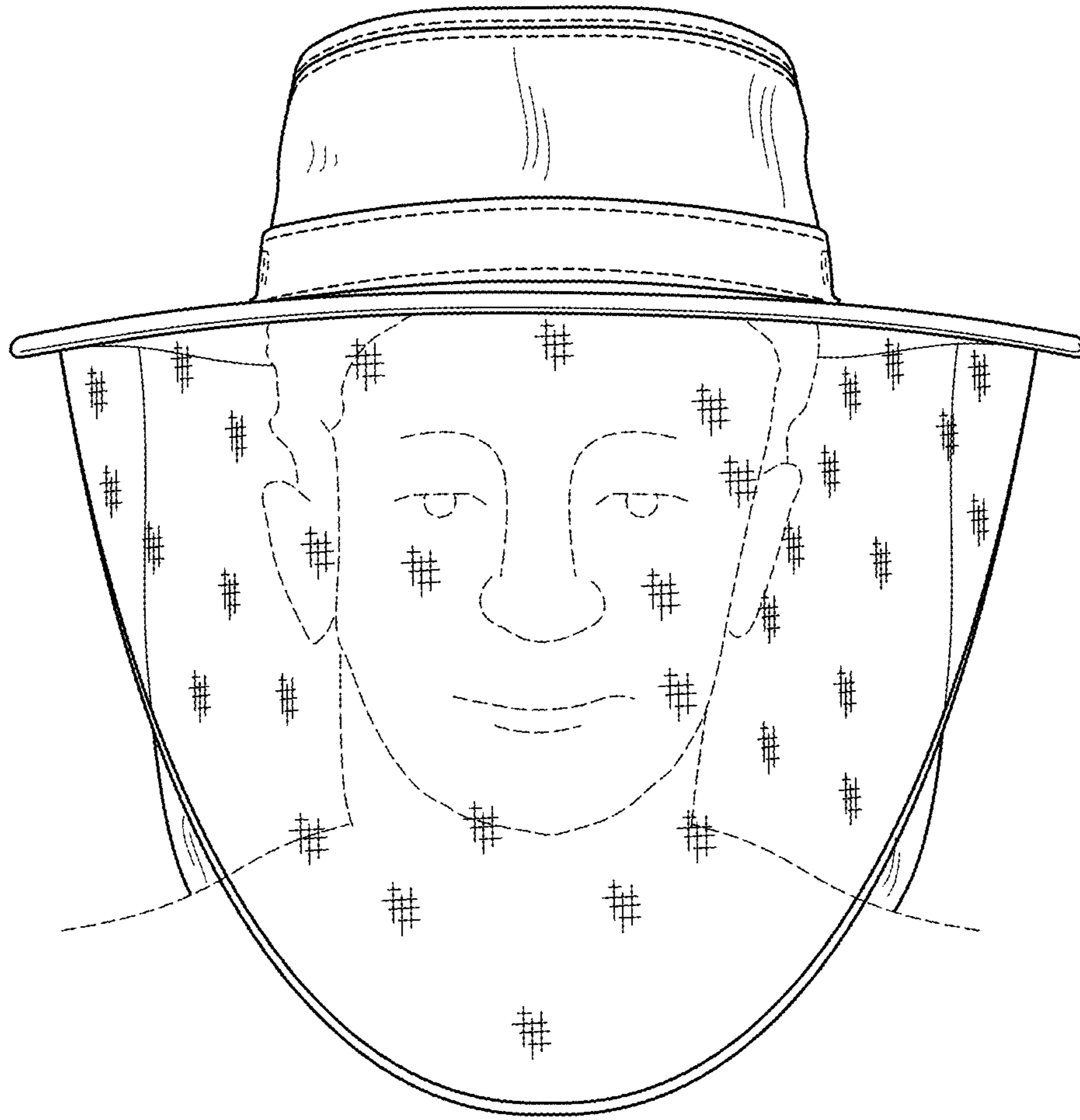


FIG. 3

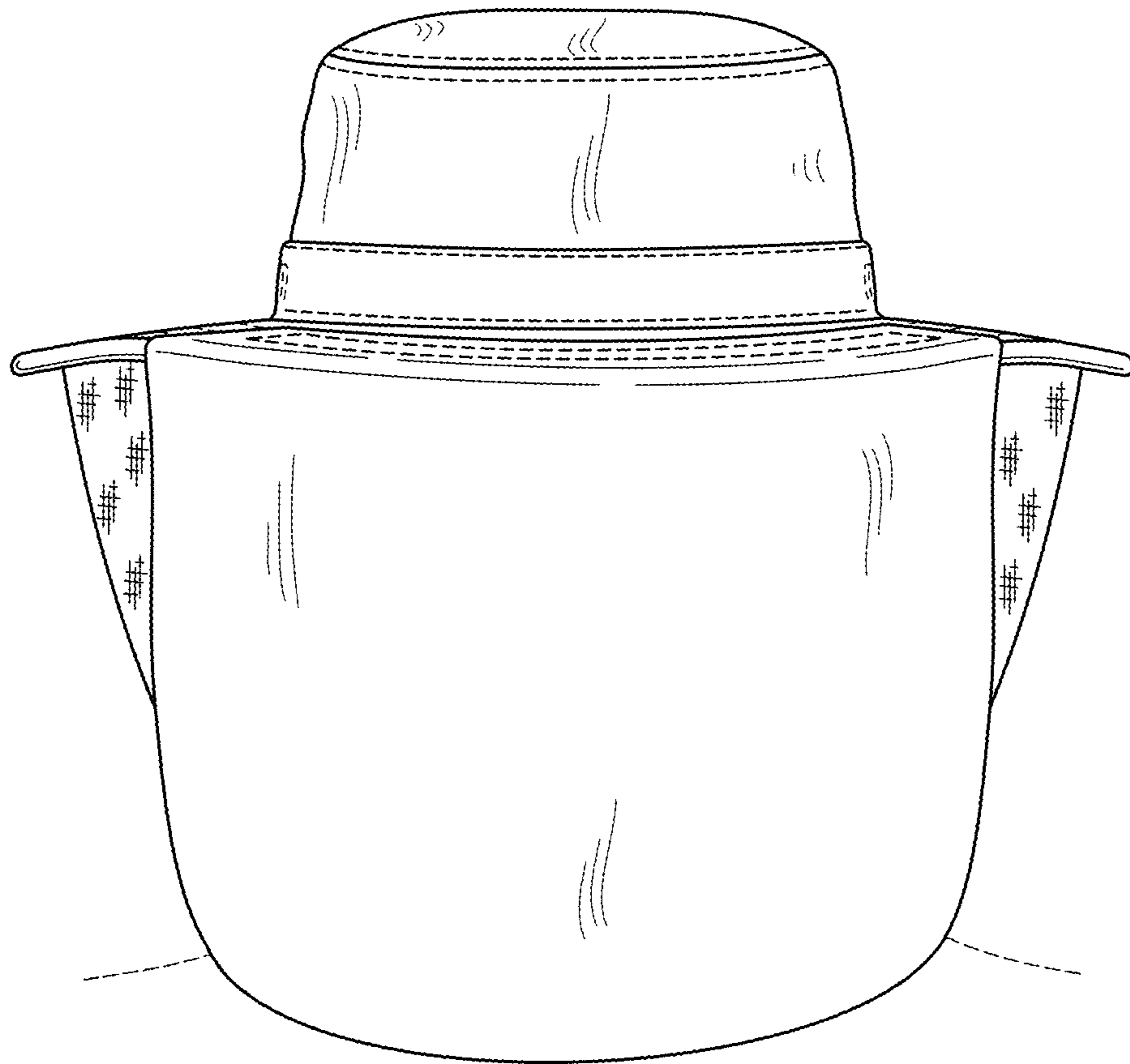


FIG. 4

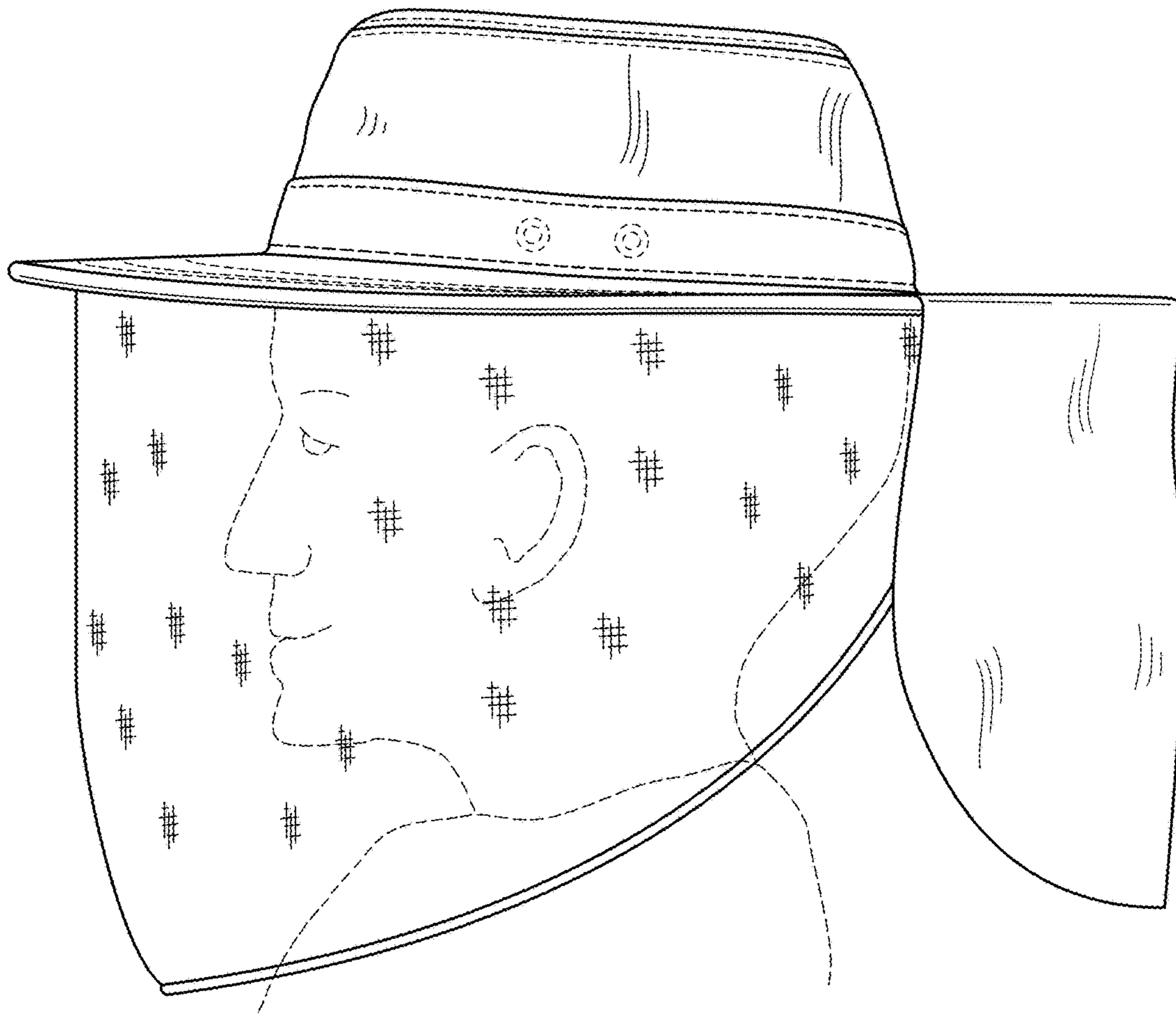


FIG. 5

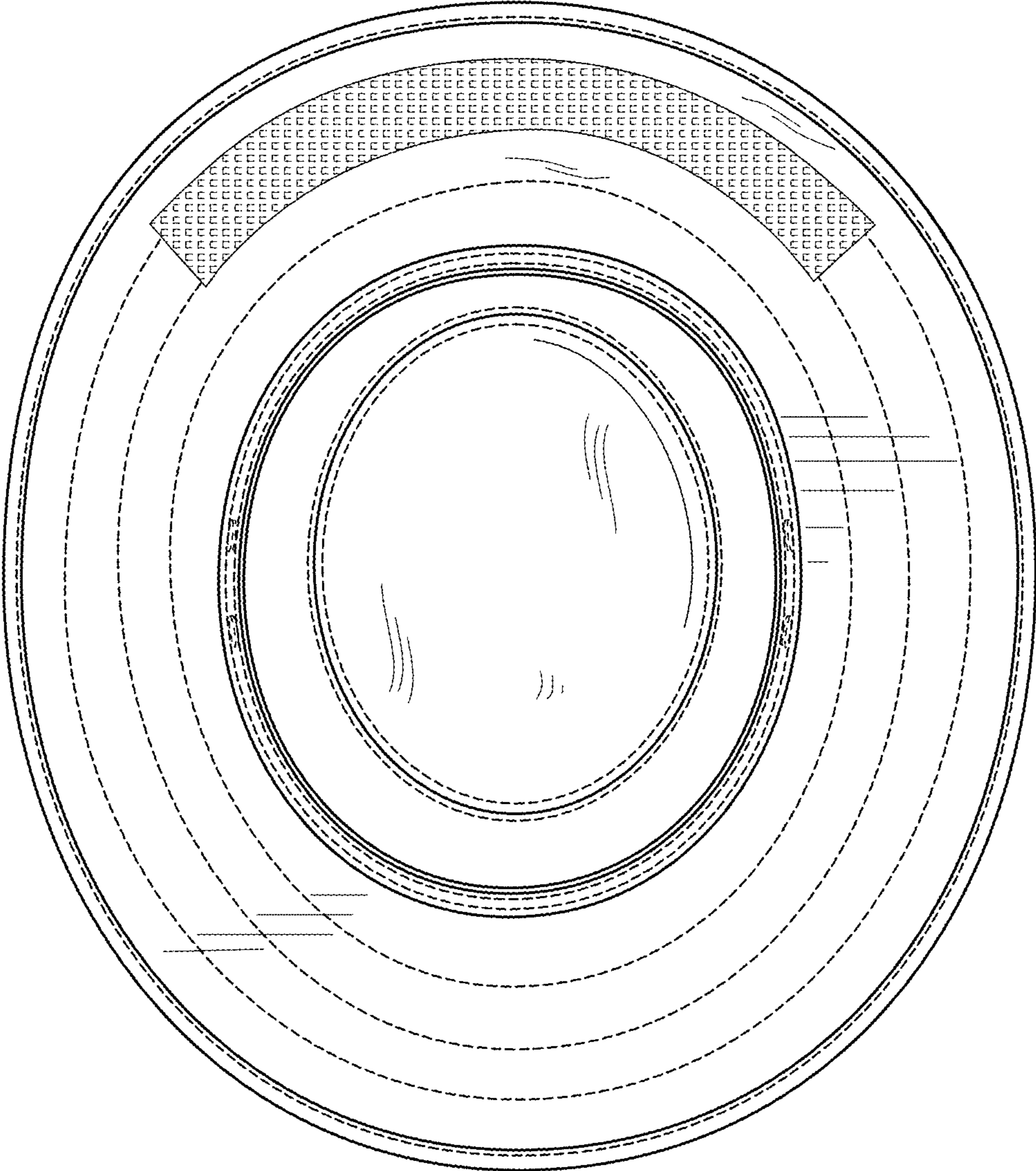


FIG. 6