



US00D785907S

(12) **United States Design Patent** (10) **Patent No.:** **US D785,907 S**  
**Auth** (45) **Date of Patent:** **\*\* May 9, 2017**

(54) **PORT ACCESS MEDICAL GARMENT**

(71) Applicant: **Cecilia Auth**, Nottingham, MD (US)

(72) Inventor: **Cecilia Auth**, Nottingham, MD (US)

(\*\*) Term: **15 Years**

(21) Appl. No.: **29/560,547**

(22) Filed: **Apr. 7, 2016**

(51) **LOC (10) Cl.** ..... **02-02**

(52) **U.S. Cl.**  
USPC ..... **D2/745**

(58) **Field of Classification Search**  
USPC ..... D2/745, 712, 713, 731, 746, 739, 741,  
D2/733  
CPC .... A41D 1/00; A41B 1/04; A41B 1/06; A41B  
13/08; A41B 13/00; A41B 2300/00; A41B  
9/007; A41B 9/06

See application file for complete search history.

(56) **References Cited**

**U.S. PATENT DOCUMENTS**

|              |    |   |         |           |       |                      |
|--------------|----|---|---------|-----------|-------|----------------------|
| D637,376     | S  | * | 5/2011  | Chapman   | ..... | D2/745               |
| D656,709     | S  | * | 4/2012  | Richards  | ..... | D2/713               |
| D689,259     | S  | * | 9/2013  | Marrin    | ..... | D2/733               |
| D710,571     | S  | * | 8/2014  | James     | ..... | D2/745               |
| D731,757     | S  | * | 6/2015  | Sullivan  | ..... | D2/745               |
| D731,758     | S  | * | 6/2015  | Sullivan  | ..... | D2/745               |
| D737,024     | S  | * | 8/2015  | Couto     | ..... | D2/745               |
| D741,046     | S  | * | 10/2015 | Pelekanou | ..... | D2/745               |
| D742,097     | S  | * | 11/2015 | Dunn      | ..... | D2/745               |
| D743,145     | S  | * | 11/2015 | Tuchardt  | ..... | D2/745               |
| D744,722     | S  | * | 12/2015 | Sullivan  | ..... | D2/745               |
| D749,820     | S  | * | 2/2016  | Lombardo  | ..... | D2/745               |
| 2014/0123363 | A1 | * | 5/2014  | Templeton | ..... | A41B 13/08<br>2/69   |
| 2014/0250558 | A1 | * | 9/2014  | Russo     | ..... | A41B 13/10<br>2/49.4 |

**OTHER PUBLICATIONS**

“Boy’s One Piece Body Suit (undershirt)” available at [http://www.cracked.com/article\\_17479\\_5-corporate-promotions-that-ended-in-predictable-disaster.html](http://www.cracked.com/article_17479_5-corporate-promotions-that-ended-in-predictable-disaster.html). Website printed on Apr. 21, 2016.  
“Girl’s One Piece Body Suite (undershirt)” available at [http://www.cracked.com/article\\_17479\\_5-corporate-promotions-that-ended-in-predictable-disaster.html](http://www.cracked.com/article_17479_5-corporate-promotions-that-ended-in-predictable-disaster.html). Website printed Apr. 21, 2016.

\* cited by examiner

*Primary Examiner* — Robin V Webster

*Assistant Examiner* — James Thorn, Sr.

(74) *Attorney, Agent, or Firm* — Pamela K. Riewerts, Esq.; Larry J. Guffey, Esq.; Oliver & Grimsley, LLC

(57) **CLAIM**

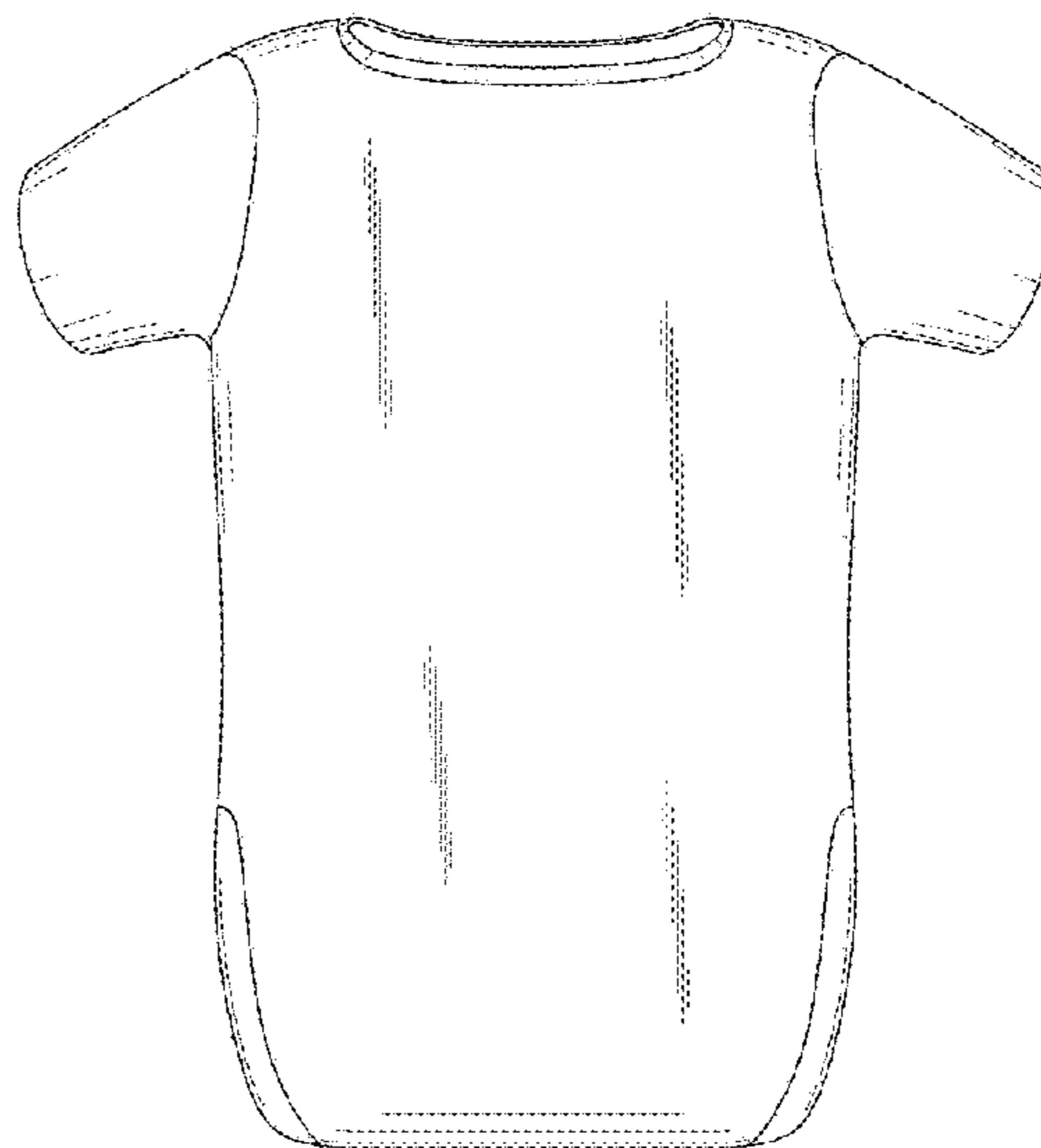
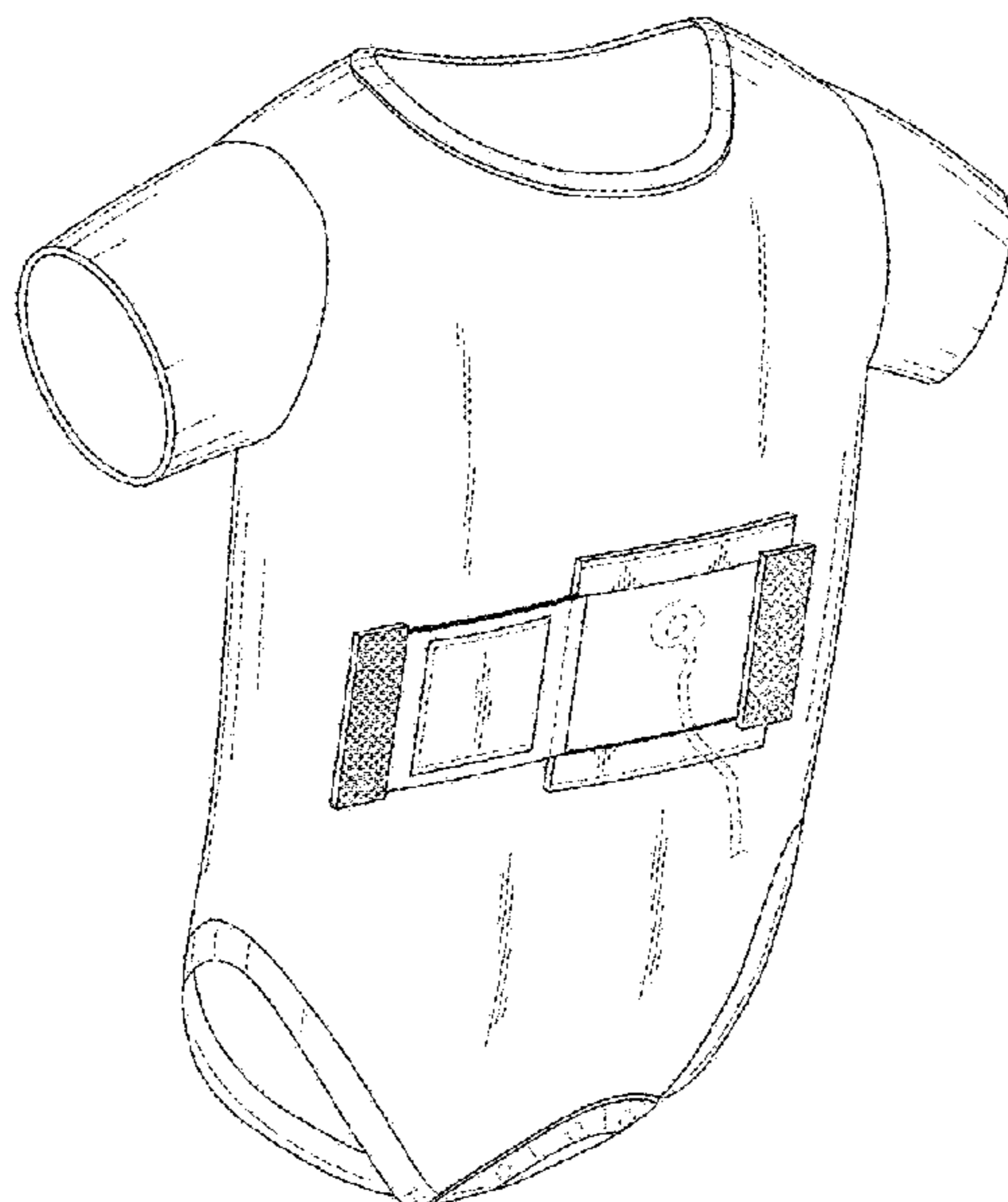
I claim the ornamental design for a port access medical garment, as shown and described herein.

**DESCRIPTION**

FIG. 1 is a perspective view of a port access medical garment showing my new design, as it would be worn, with the front access flap in the open position; FIG. 2 is a front view thereof, showing the port access flap in the open position; FIG. 3 is a rear view thereof; FIG. 4 is a bottom plan view thereof; FIG. 5 is a top plan view thereof; FIG. 6 is a side view of a first side thereof, showing the port access flap in the open position; FIG. 7 is a side view of a second side thereof, showing the access port in the open position; and, FIG. 8 is a perspective view thereof, showing the access port in the closed position.

The broken lines shown in the drawings are included for the purpose of illustrating unclaimed portions and form no part of the claimed design.

**1 Claim, 8 Drawing Sheets**



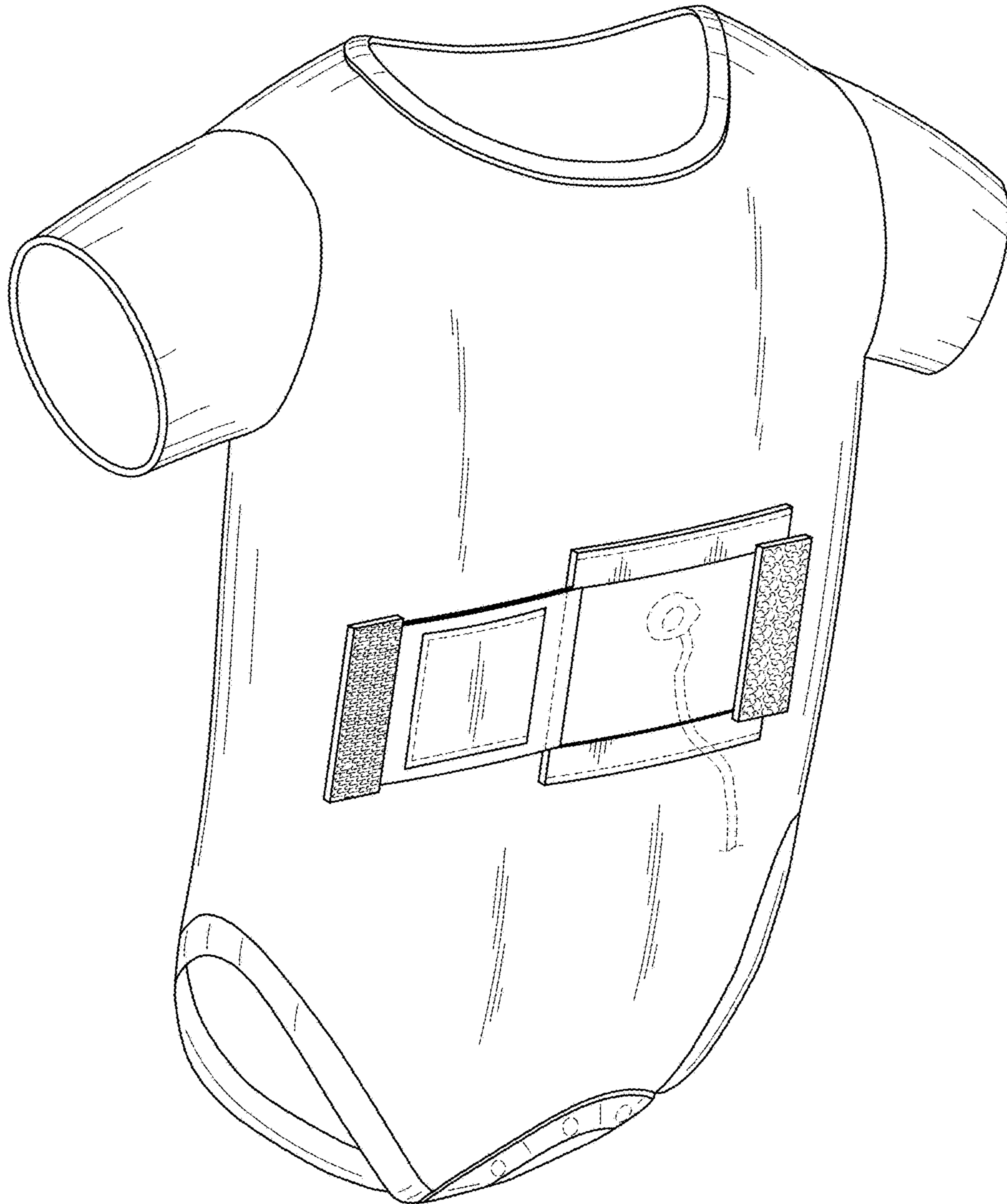
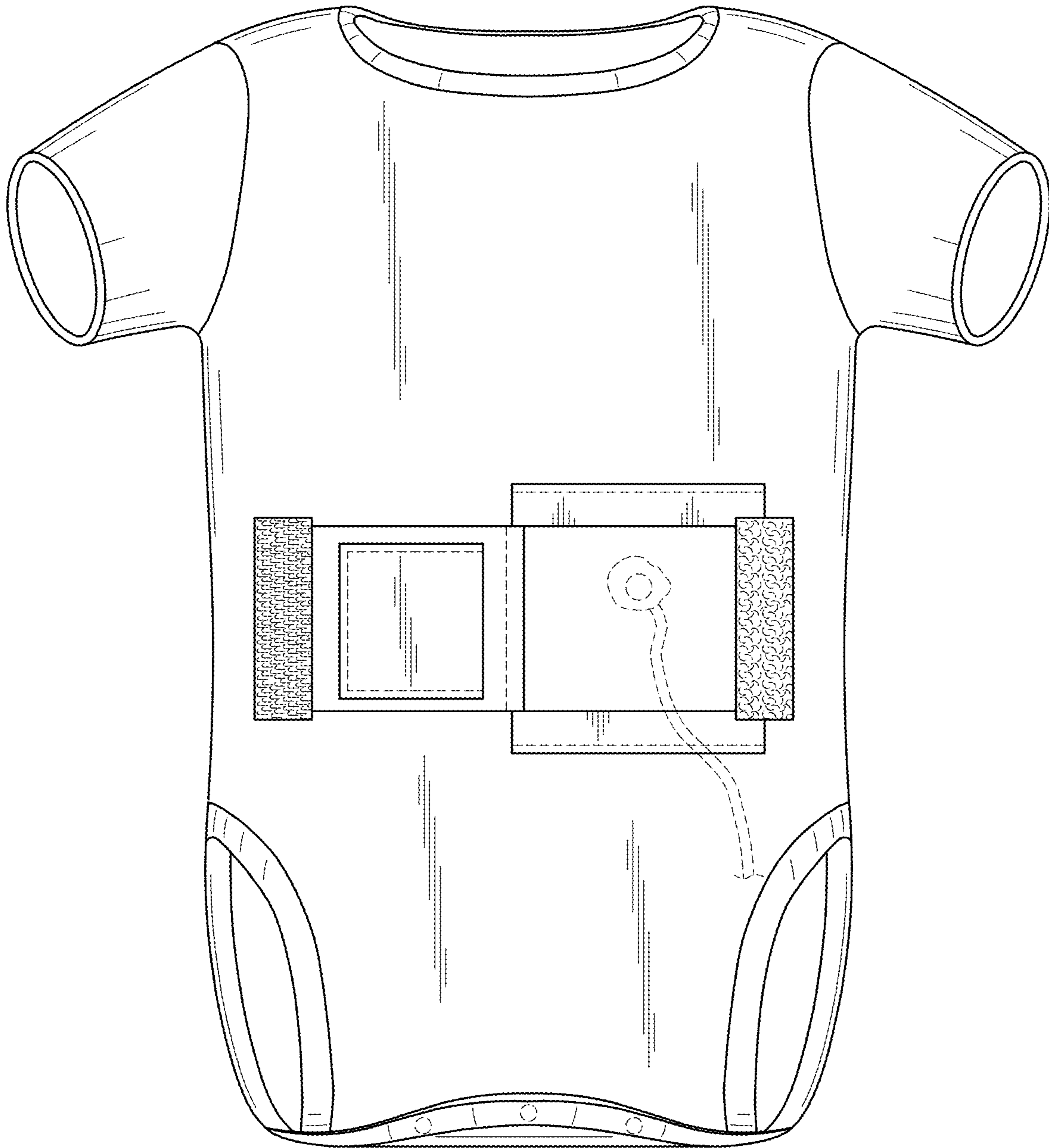
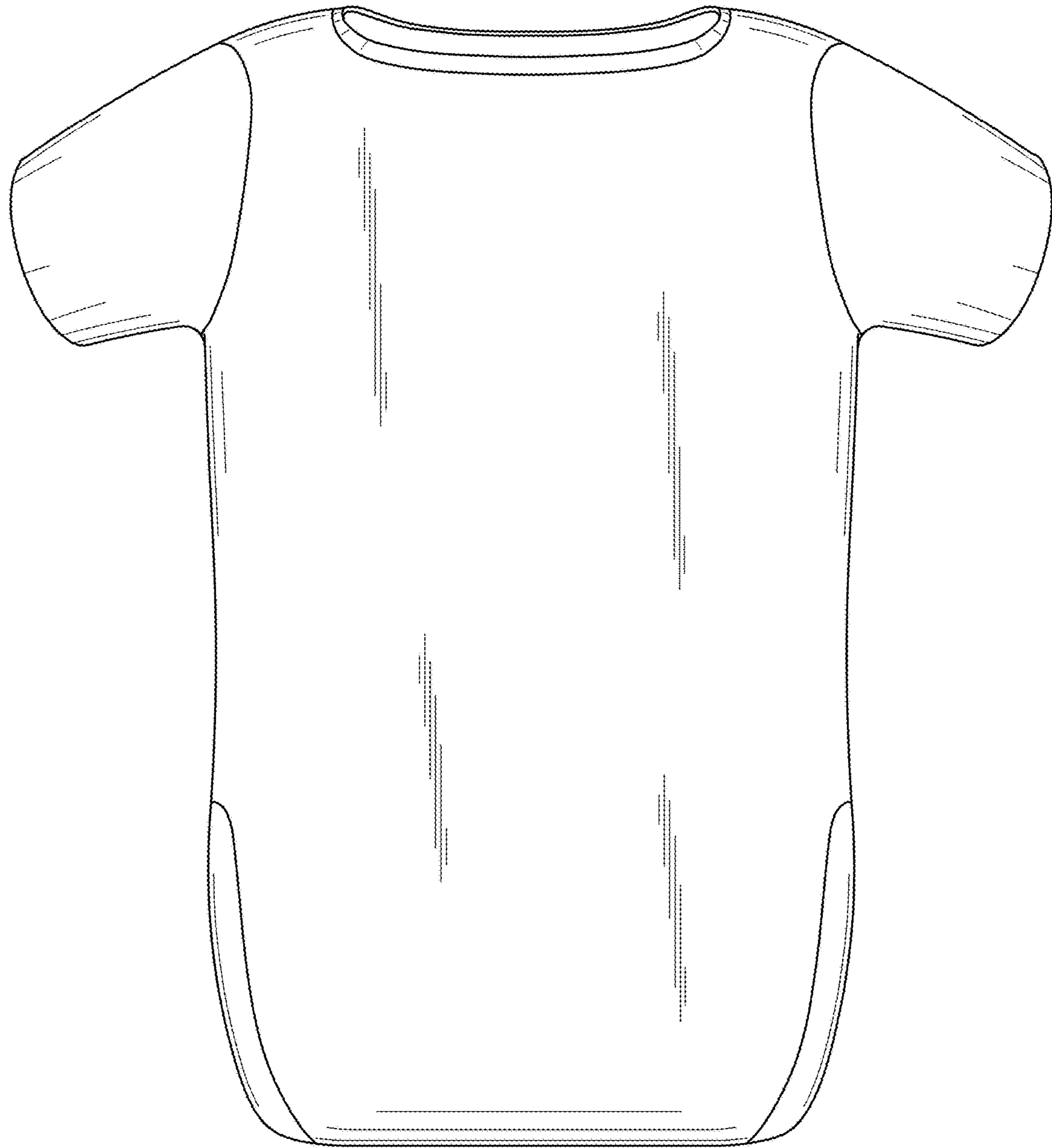


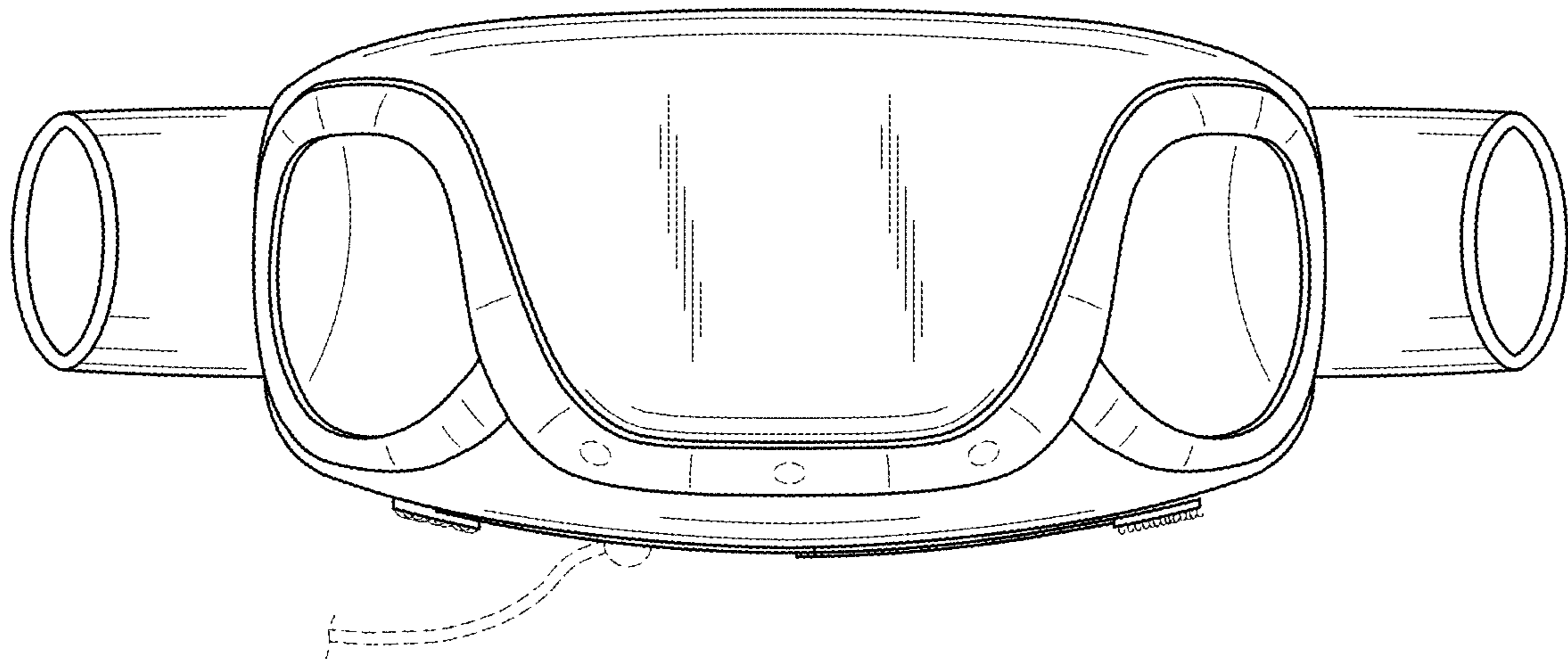
FIG. 1



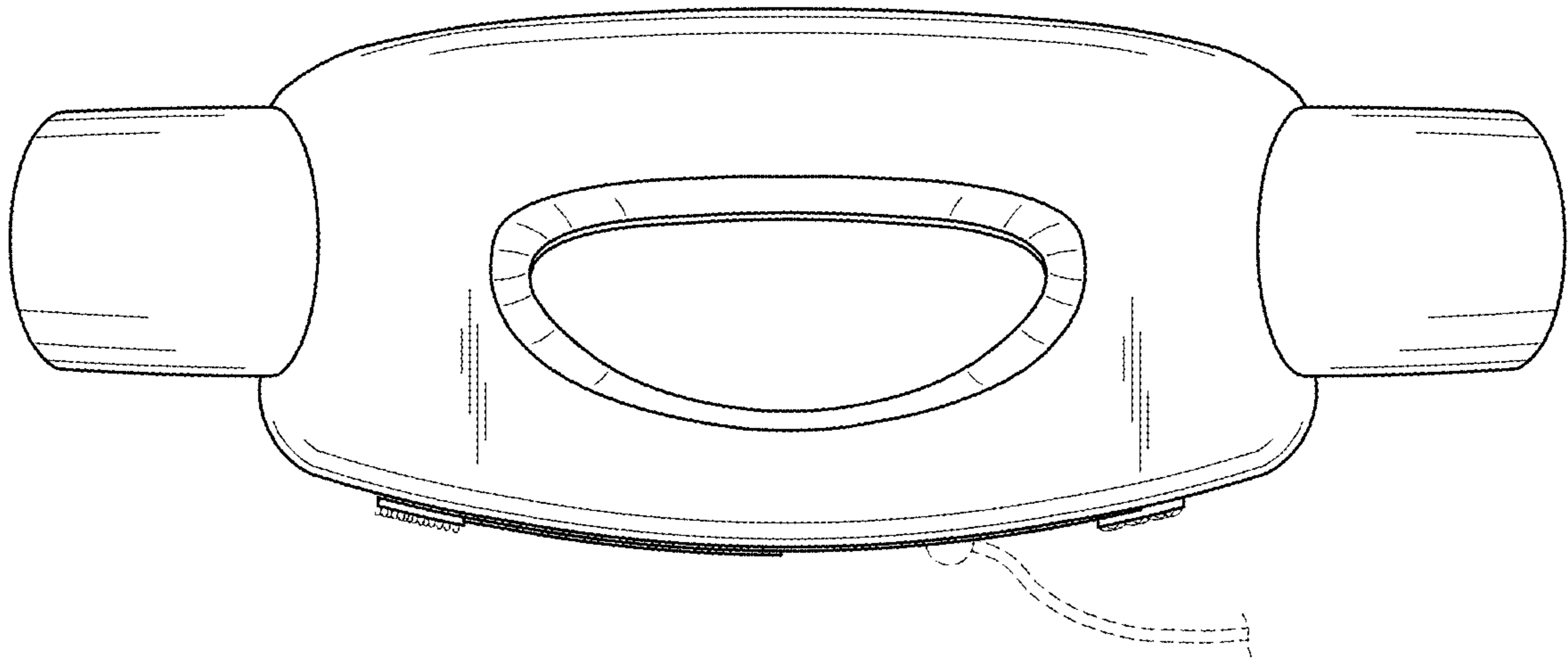
**FIG. 2**



*FIG. 3*



*FIG. 4*



*FIG. 5*

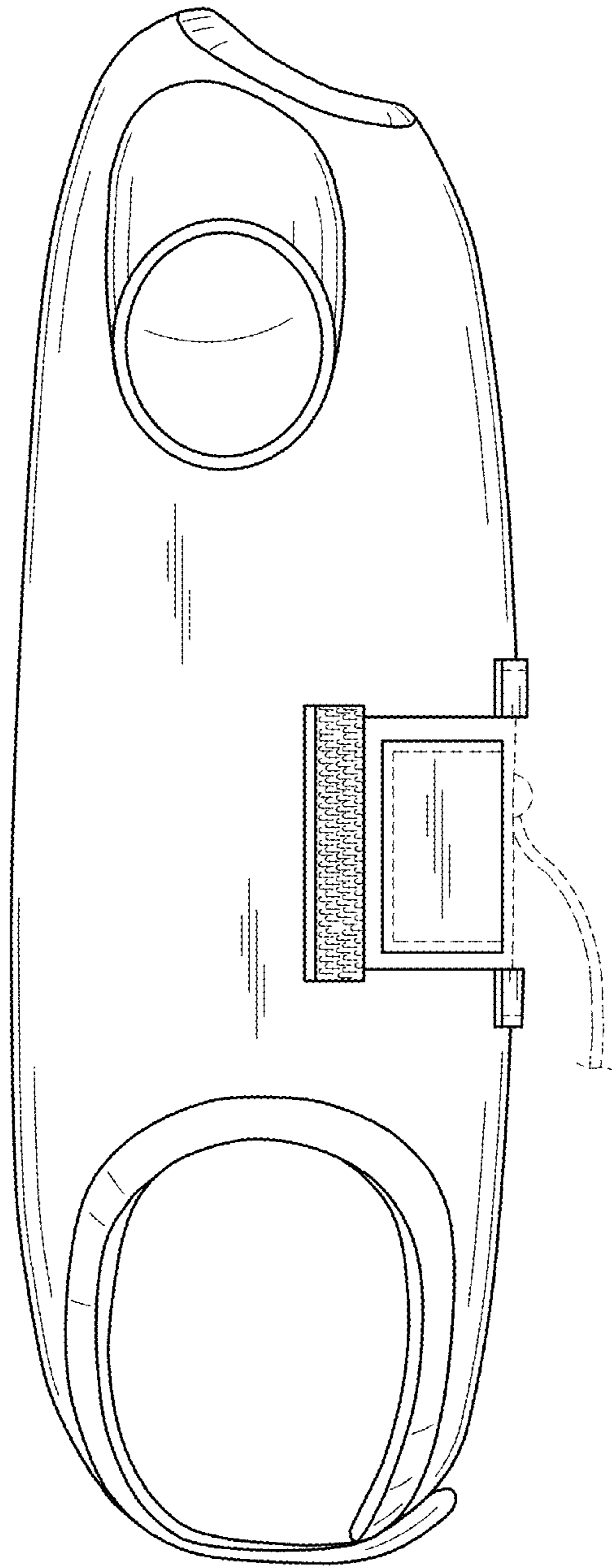
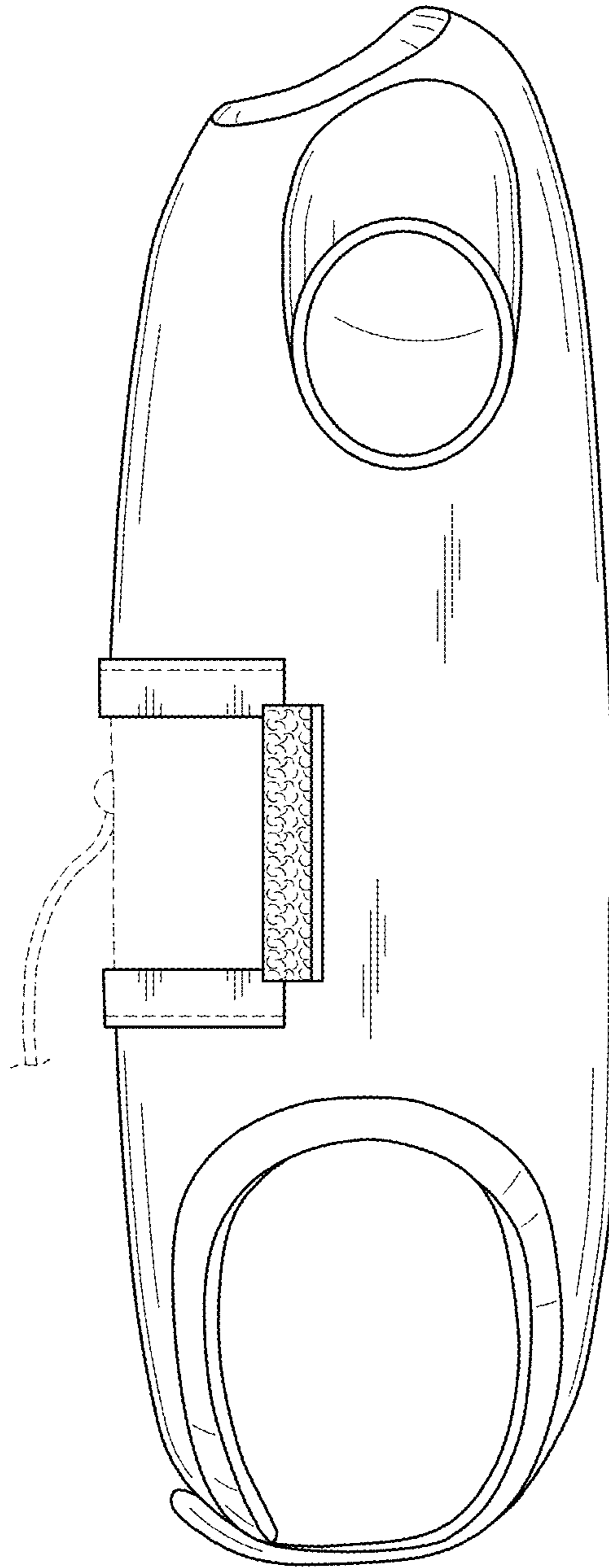


FIG. 6



**FIG. 7**



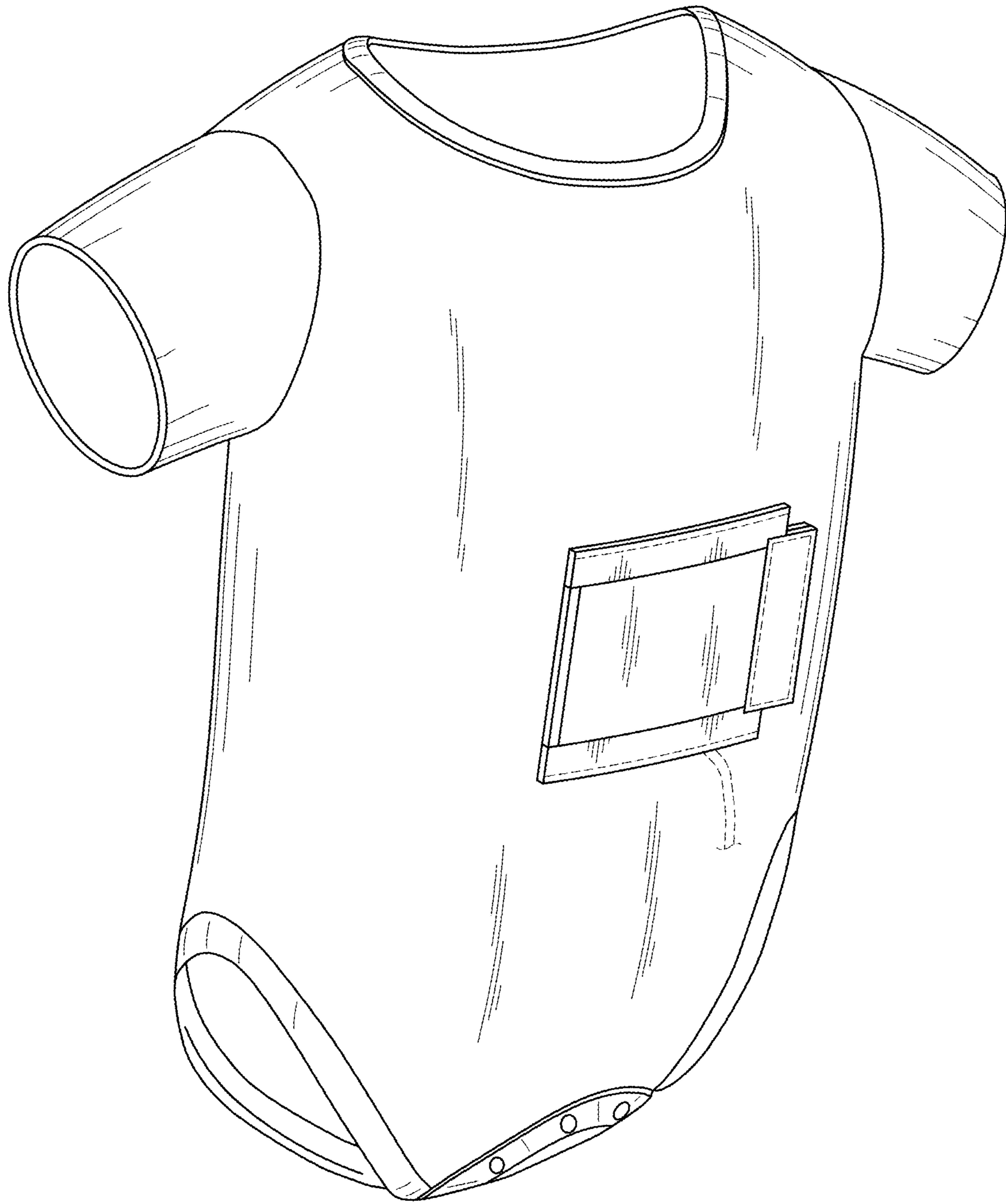


FIG. 8