



US00D785904S

(12) **United States Design Patent** (10) **Patent No.:** **US D785,904 S**
Stames (45) **Date of Patent:** **** May 9, 2017**

(54) **SURVIVAL SUIT** 5,815,833 A * 10/1998 Kuo A41D 15/04
2/69.5
(71) Applicant: **Rebecca Stames**, Pittsford, NY (US) 6,000,395 A 12/1999 Brown
6,032,285 A 3/2000 Densen
(72) Inventor: **Rebecca Stames**, Pittsford, NY (US) (Continued)
(**) Term: **15 Years**
(21) Appl. No.: **29/531,273**
(22) Filed: **Jun. 24, 2015**
(51) **LOC (10) Cl.** **02-01**
(52) **U.S. Cl.**
USPC **D2/719**
(58) **Field of Classification Search**
USPC D2/719, 718, 728, 700, 743-745,
D2/823-825, 828, 830, 831
CPC A41B 13/06; A41D 11/00; A41D 15/04;
A41D 13/012; A41D 13/02; A41D 3/00
See application file for complete search history.

(56) **References Cited**

U.S. PATENT DOCUMENTS

2,121,788 A 6/1938 Daiber
2,562,061 A * 7/1951 Peterson A41B 13/06
2/69.5
D168,887 S * 2/1953 Friedman D2/719
4,103,377 A * 8/1978 Mayer A41D 15/04
2/69.5
4,125,910 A 11/1978 Nicholai
4,206,512 A 6/1980 Osborne
D282,596 S * 2/1986 Bangert D2/719
4,683,593 A 8/1987 Langley
4,807,303 A 2/1989 Mann et al.
4,998,296 A 3/1991 Stames
5,129,406 A 7/1992 Magnusen et al.
5,152,017 A 10/1992 Jaeger
5,226,193 A 7/1993 Chen
5,383,918 A 1/1995 Panetta
D355,068 S * 2/1995 Prendergast D2/719
5,560,043 A * 10/1996 Armstrong A41D 3/00
2/69.5

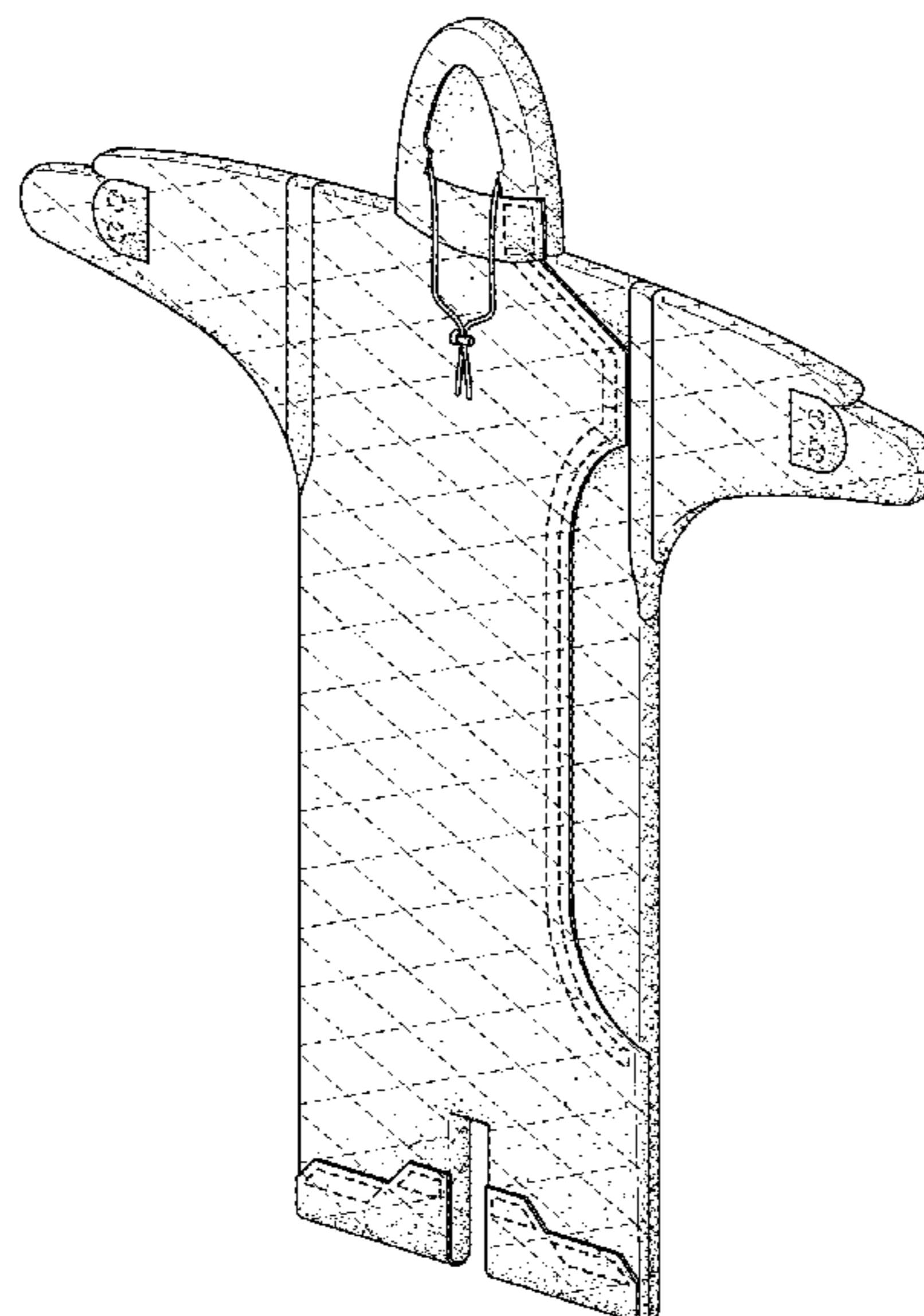
Primary Examiner — George D. Kirschaum
Assistant Examiner — Clese Moore, Jr.
(74) *Attorney, Agent, or Firm* — Woods Oviatt Gilman
LLP; Katherine H. McGuire, Esq.

(57) **CLAIM**
The survival suit, as shown and described.

DESCRIPTION

FIG. 1 is a front perspective view of a survival suit showing my new design;
FIG. 2 is a front, elevational view thereof;
FIG. 3 is a rear, elevational view thereof;
FIG. 4 is a side, elevational view thereof;
FIG. 5 is a side elevational view thereof opposite the view of FIG. 4;
FIG. 6 is a top, plan view thereof;
FIG. 7 is a bottom, plan view thereof;
FIG. 8 is the view of FIG. 1 showing the sleeves in their stowed positions;
FIG. 9 is a front, elevational view of FIG. 8;
FIG. 10 is a rear, elevational view thereof;
FIG. 11 is a side, elevational view thereof;
FIG. 12 is a side, elevational view thereof opposite the view of FIG. 11;
FIG. 13 is a top, plan view thereof;
FIG. 14 is a bottom, plan view thereof; and,
FIG. 15 is a perspective view thereof showing the survival suit in its rolled-up condition.
The broken lines shown illustrate portions and environment of the survival suit that form no part of the claimed design. The diagonal dash-dash lines illustrate stitching that forms part of the claimed design.

1 Claim, 11 Drawing Sheets



(56)

References Cited

U.S. PATENT DOCUMENTS

6,061,831	A *	5/2000	Rudolph	A41D 15/04	2/69
6,334,221	B1	1/2002	Hope			
6,488,188	B2	12/2002	Fleischli			
D487,836	S *	3/2004	Cowdin	D2/719	
7,441,279	B1	10/2008	Lewis			
D609,432	S *	2/2010	Jennings	D2/720	
7,766,950	B2	8/2010	Castellani et al.			
7,810,170	B1 *	10/2010	Guthrie	A41B 13/06	2/69
D626,310	S *	11/2010	Cruz	D2/752	
D641,136	S *	7/2011	Abrams	D2/719	
8,091,144	B2	1/2012	Sigmon et al.			
D655,072	S *	3/2012	Webster	D2/831	
8,166,572	B1 *	5/2012	Campbell	A47G 9/086	2/69.5
8,424,113	B2	4/2013	Sprole			
D693,540	S *	11/2013	Vanneste	D2/728	
D693,541	S *	11/2013	Vanneste	D2/728	
D693,987	S *	11/2013	Wagner	D2/719	
8,621,669	B2	1/2014	Yadav et al.			
D708,423	S *	7/2014	Adams	D2/744	
D742,093	S *	11/2015	Wells	D2/700	
D744,721	S *	12/2015	Crye	D2/743	
2003/0028949	A1 *	2/2003	Kerr	A41D 13/012	2/96
2007/0050882	A1 *	3/2007	Eisenhuth	A41D 13/00	2/69
2008/0235848	A1 *	10/2008	Wilder	A41B 13/06	2/69.5
2008/0301861	A1 *	12/2008	Meistrell	B63C 9/087	2/458
2011/0067163	A1	3/2011	Sprole			
2012/0047622	A1	3/2012	van Oudenallen			
2012/0260394	A1 *	10/2012	Poore	A41D 15/04	2/69.5

* cited by examiner

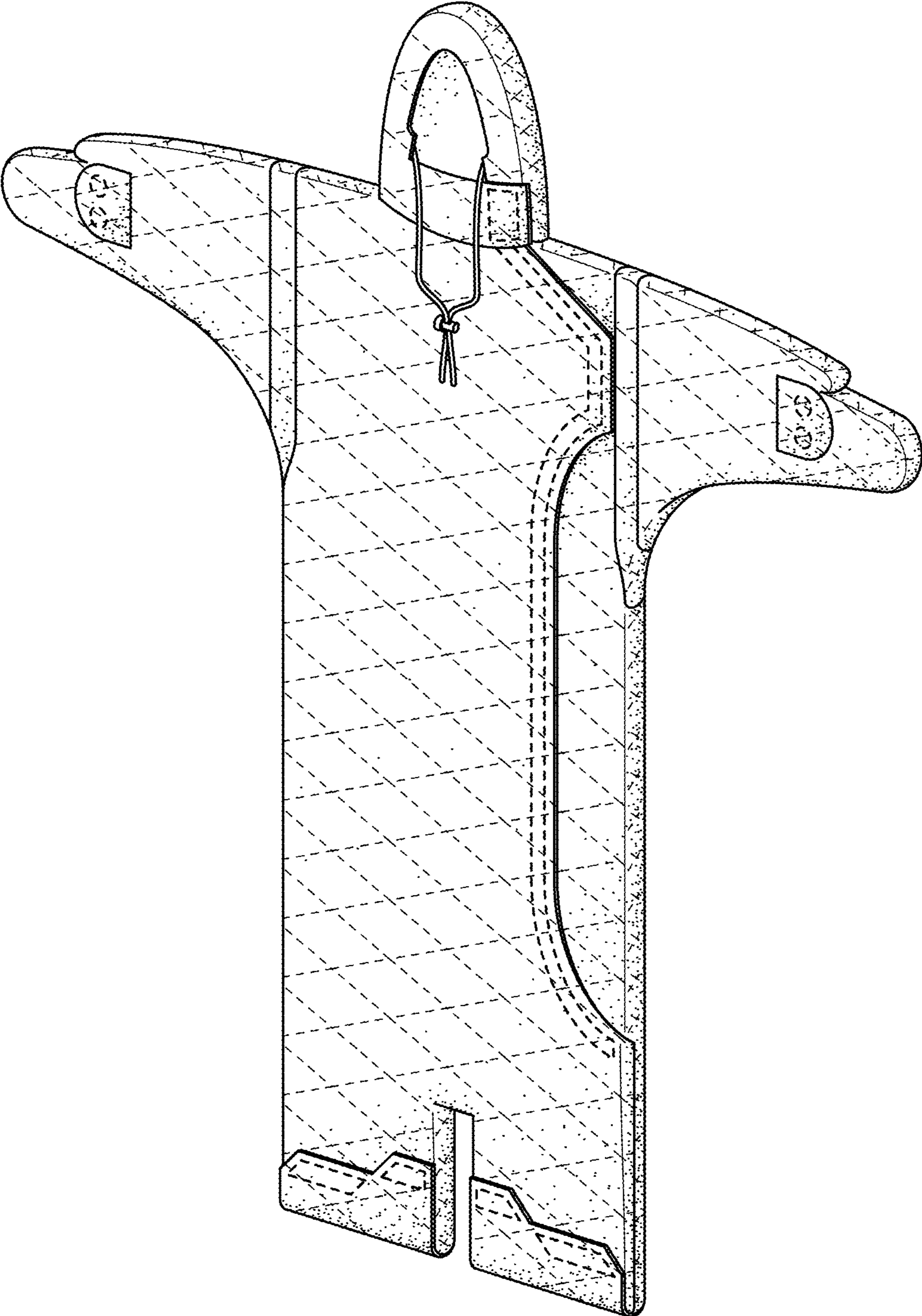


FIG. 1

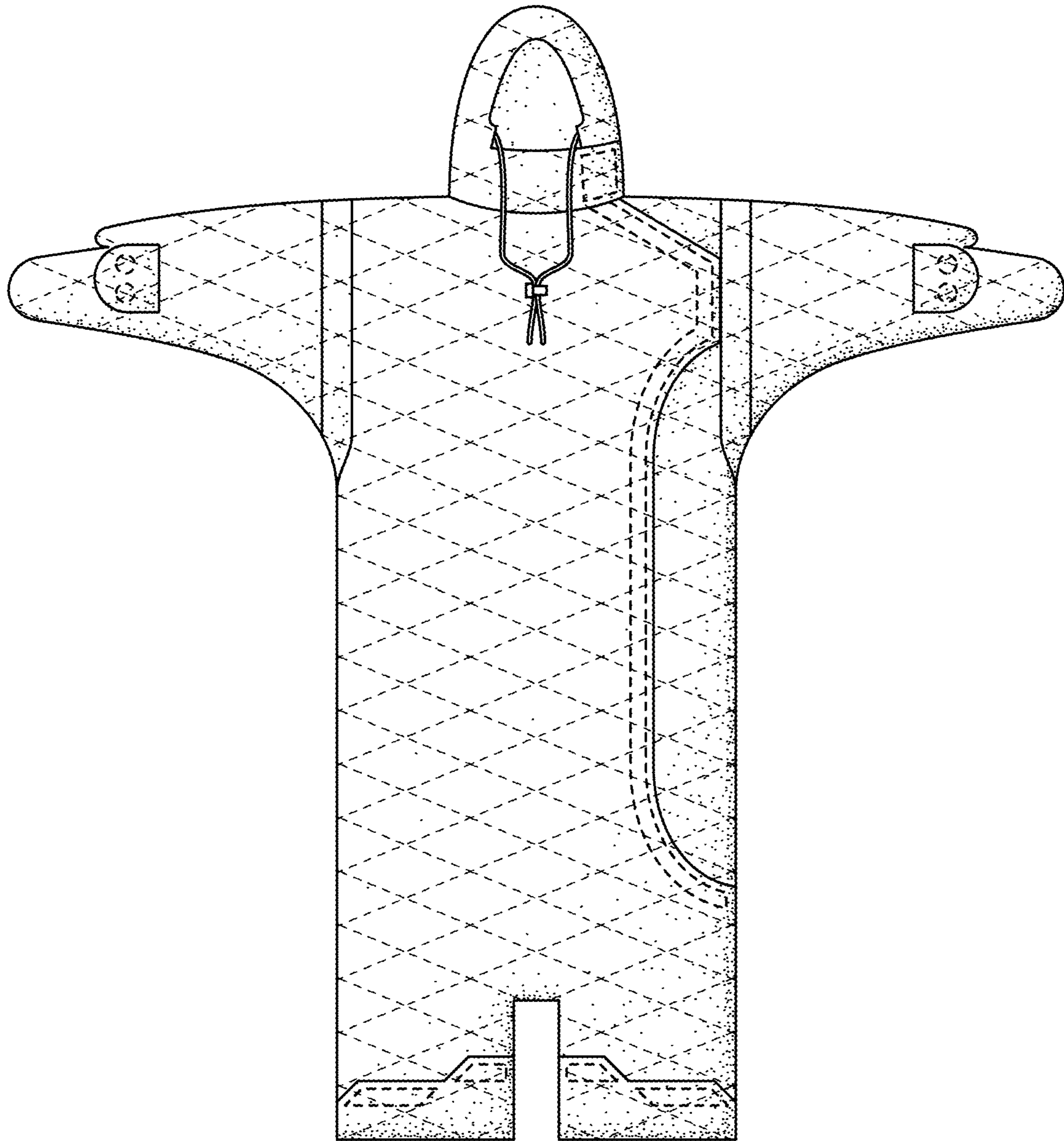


FIG. 2

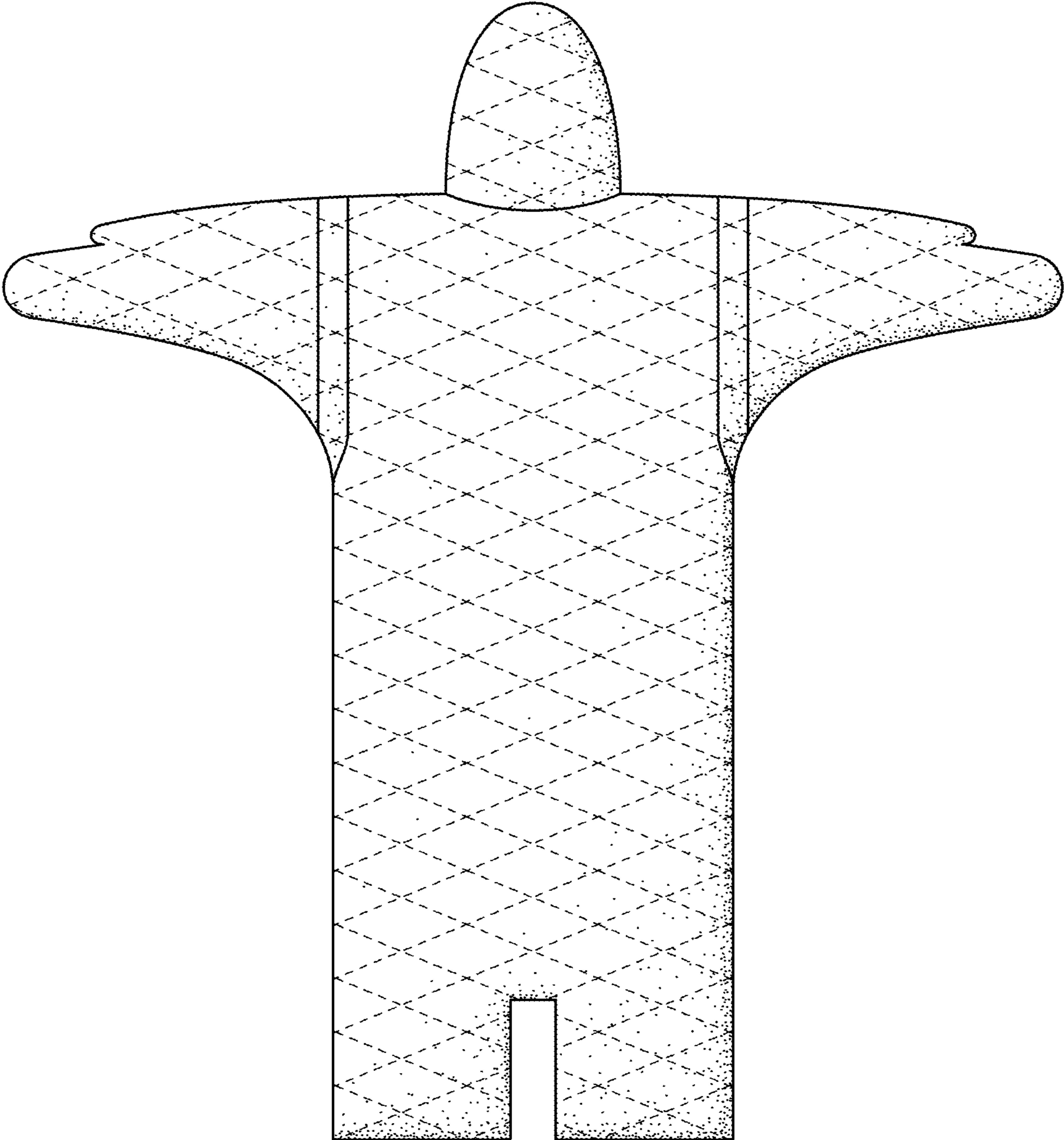


FIG. 3

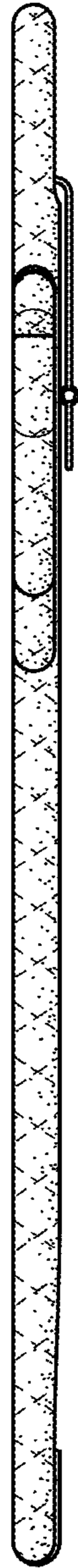


FIG. 4



FIG. 5



FIG. 6



FIG. 7

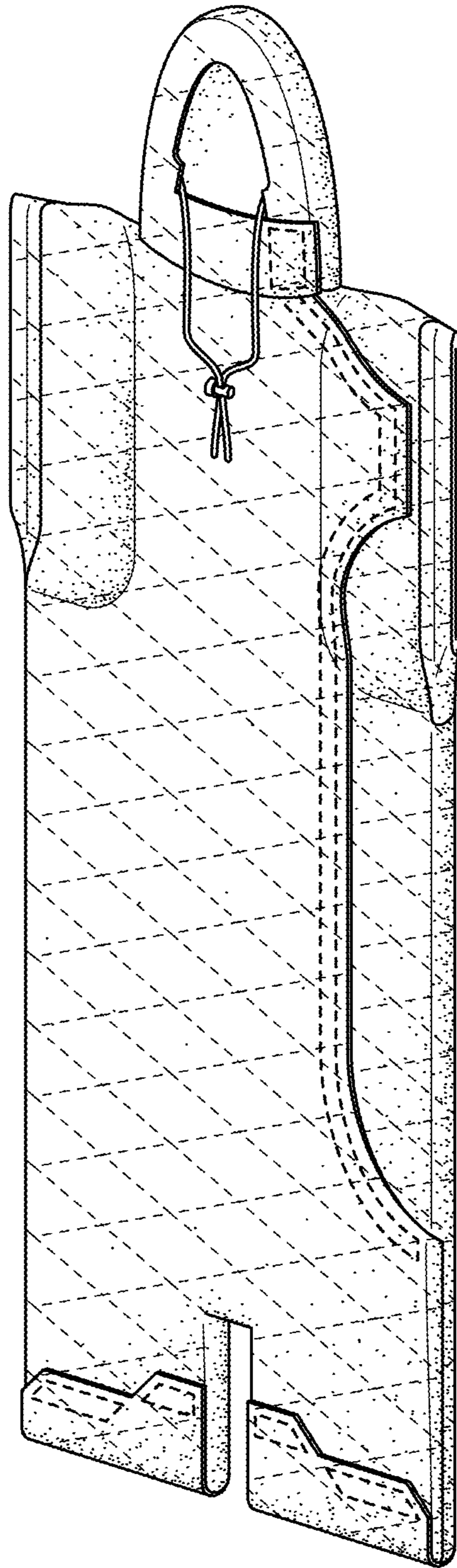


FIG. 8

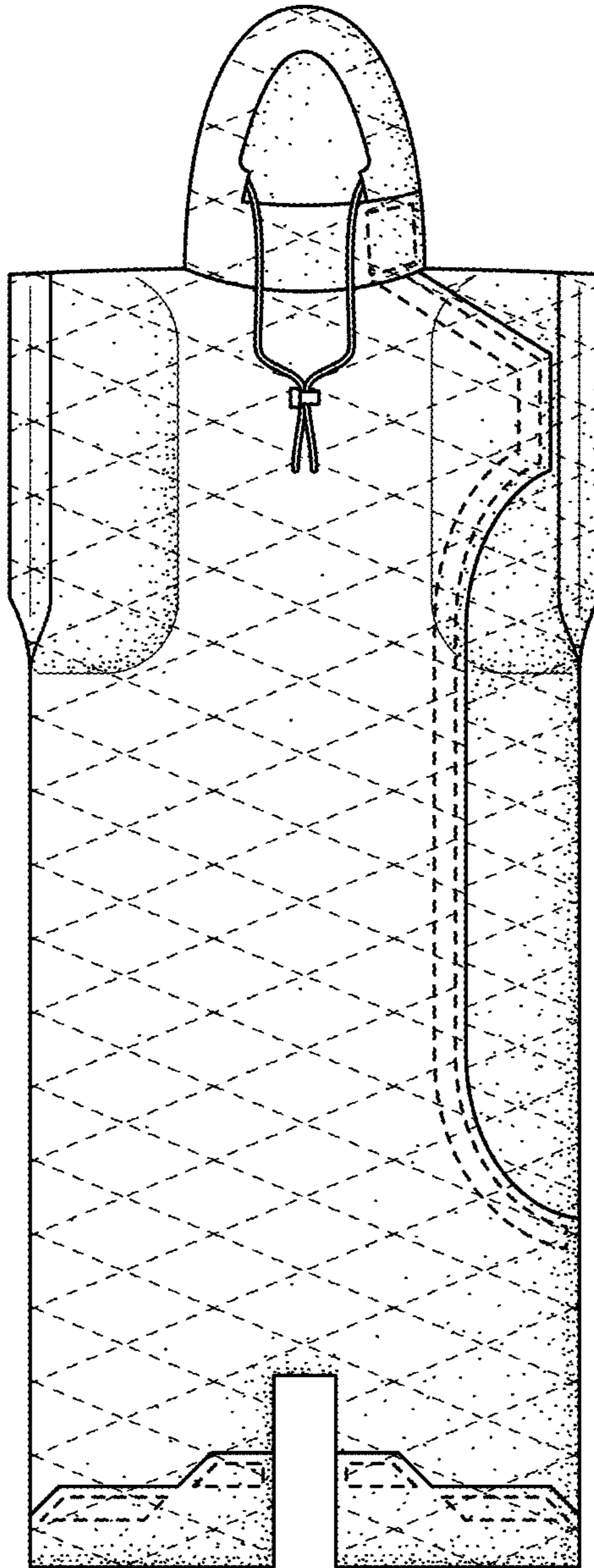


FIG. 9

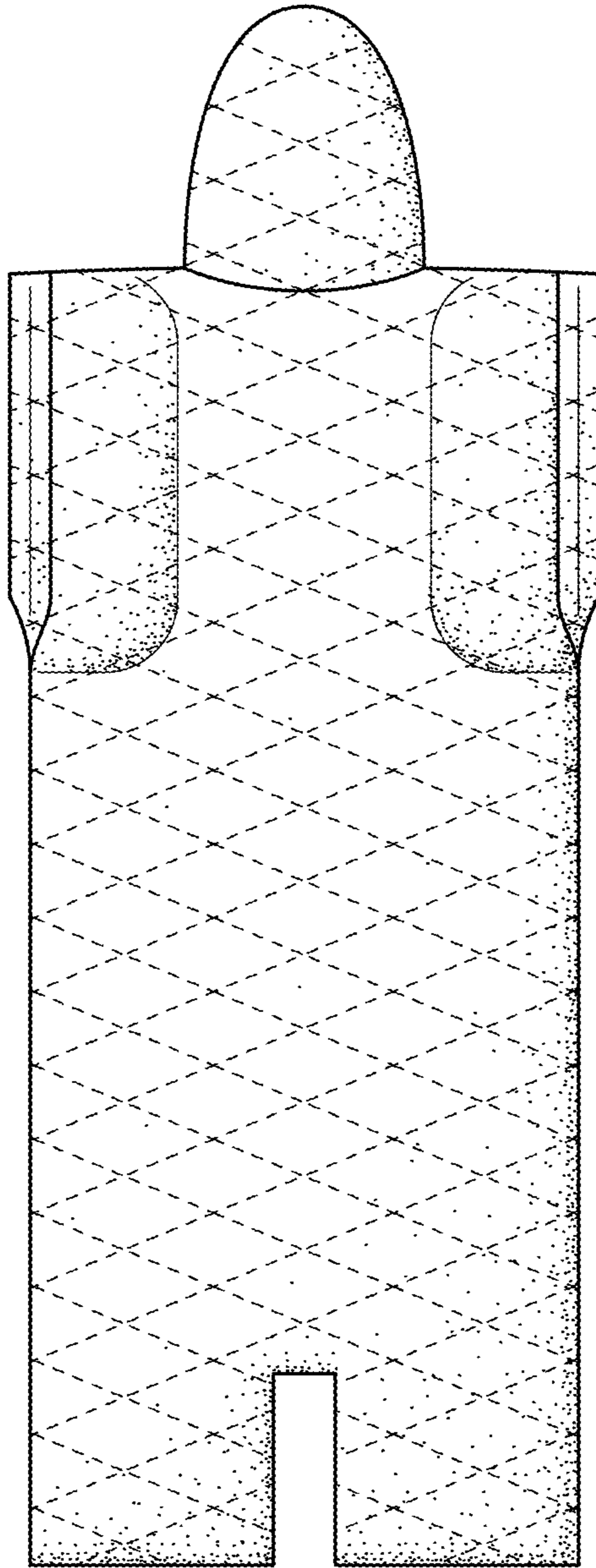


FIG. 10



FIG. 11

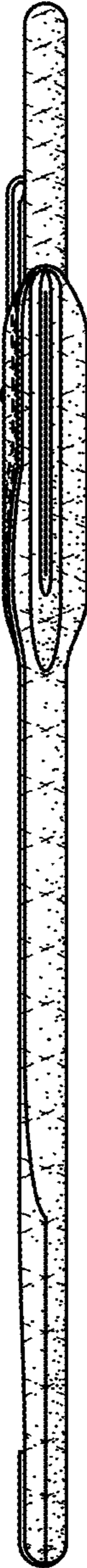


FIG. 12



FIG. 13



FIG. 14

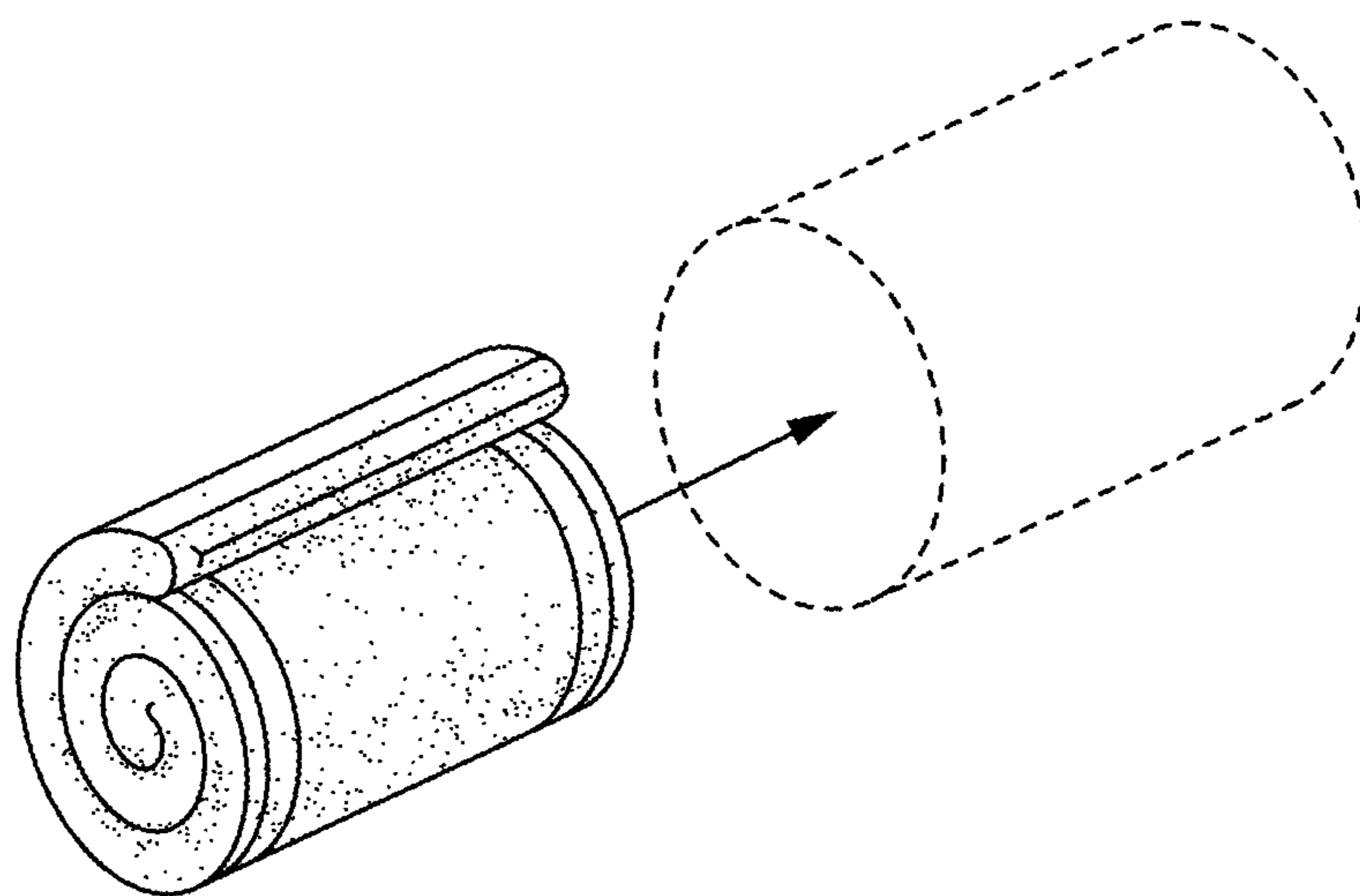


FIG. 15