



US00D785898S

(12) **United States Design Patent** (10) **Patent No.:** **US D785,898 S**
Rotem (45) **Date of Patent:** **** May 2, 2017**

(54) **LOCK BOX FOR MEDICAL DEVICE**
 (71) Applicant: **Shachar Rotem**, Kibbutz Metzer (IL)
 (72) Inventor: **Shachar Rotem**, Kibbutz Metzer (IL)
 (73) Assignee: **Q-core Medical Ltd.**, Petach Tikva (IL)
 (**) Term: **14 Years**

D267,834 S * 2/1983 Yew D3/203.7
 4,513,866 A * 4/1985 Thomas A45C 9/00
 190/110
 D281,836 S * 12/1985 Sparkman D3/203.7
 4,573,332 A * 3/1986 Ma A45C 13/20
 109/52
 D283,546 S * 4/1986 Nathan 224/223
 D289,461 S * 4/1987 Humphries 30/1
 D376,691 S * 12/1996 Naas D3/274

(Continued)

(21) Appl. No.: **29/496,206**

Primary Examiner — Elizabeth J Oswecki

(22) Filed: **Jul. 10, 2014**

(74) *Attorney, Agent, or Firm* — Eitan, Mehulal & Sadot

(51) **LOC (10) Cl.** **99-00**

(57) **CLAIM**

(52) **U.S. Cl.**

The ornamental design for a lock box for medical device, as shown and described.

USPC **D99/28**

(58) **Field of Classification Search**

DESCRIPTION

USPC D99/28, 43, 99; D3/201, 203.1, 203.6,
 D3/203.7, 272, 273, 274; 190/16, 100,
 190/101, 102, 109, 119, 120, 124, 900
 CPC .. E05G 1/00; E05G 1/005; E05G 1/02; E05G
 1/024; E05G 1/026; E05G 1/04; E05G
 1/10; E05G 1/14; E05G 1/003; E05G
 2700/00; E05G 2700/02; E05G 2700/04;
 G07D 11/0006; G07D 11/0009; A45C
 1/12; A45C 9/00; A45C 11/00; A45C
 11/007; A45C 3/02; A45C 3/00; A45C
 5/00; G09F 5/02

FIG. 1 is a front perspective view of a lock box for medical device in a closed position, showing my new design;
 FIG. 2 is a rear perspective view thereof;
 FIG. 3 is a front view thereof;
 FIG. 4 is a rear view thereof;
 FIG. 5 is a left side view thereof;
 FIG. 6 is a right side view thereof;
 FIG. 7 is a top view thereof;
 FIG. 8 is a bottom view thereof;
 FIG. 9 is a front perspective view of the lock box for medical device in an open position;
 FIG. 10 is a rear perspective view thereof;
 FIG. 11 is a front view thereof;
 FIG. 12 is a rear view thereof;
 FIG. 13 is a left side view thereof;
 FIG. 14 is a right side view thereof;
 FIG. 15 is a top view thereof; and,
 FIG. 16 is a bottom view thereof.
 Portions of the article shown in broken lines form no part of the claimed design.

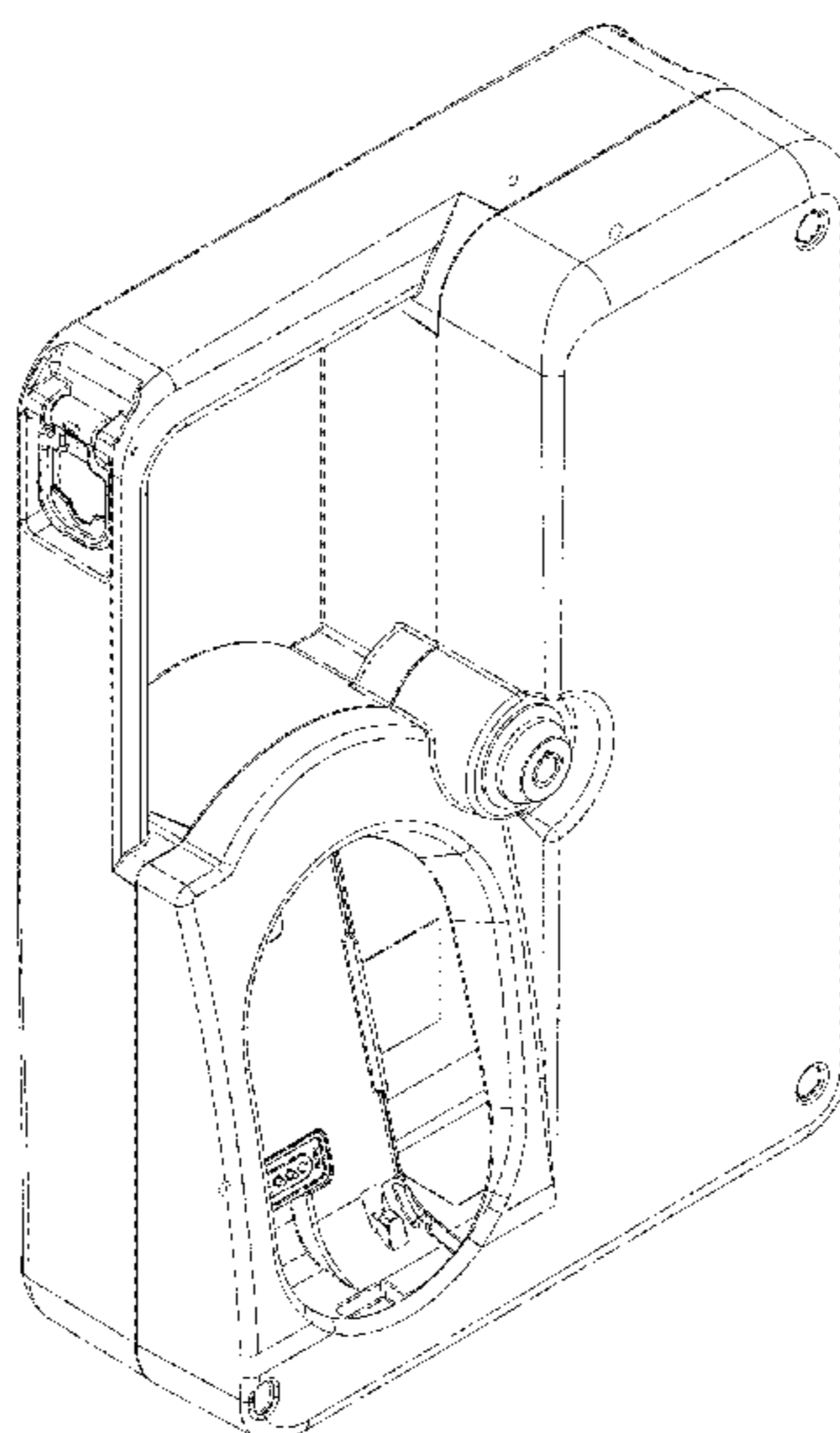
See application file for complete search history.

(56) **References Cited**

1 Claim, 16 Drawing Sheets

U.S. PATENT DOCUMENTS

D170,651 S * 10/1953 Palczewski 206/370
 D177,591 S * 5/1956 Robinson D3/203.7
 2,755,748 A * 7/1956 Abell, Jr. A45C 13/20
 109/52
 3,988,909 A * 11/1976 Catapano E05B 37/12
 220/315
 D253,556 S * 12/1979 D'Alo D3/203.7
 D261,198 S * 10/1981 Altadonna 224/240
 4,353,694 A * 10/1982 Pelerin A61C 19/02
 206/369



(56)

References Cited

U.S. PATENT DOCUMENTS

D386,307 S *	11/1997	Naas	D3/273
D399,632 S *	10/1998	Davis	D99/28
D482,056 S *	11/2003	Bergeron	D18/3.3
D560,875 S *	1/2008	Decarlo	D3/273
D579,174 S *	10/2008	Decarlo	D3/273
D635,324 S *	3/2011	Plato	D99/28
D719,344 S *	12/2014	Miller	D3/203.1
D748,889 S *	2/2016	Ng	D99/28
2006/0108252 A1 *	5/2006	Lax	A45C 11/00 206/470

* cited by examiner

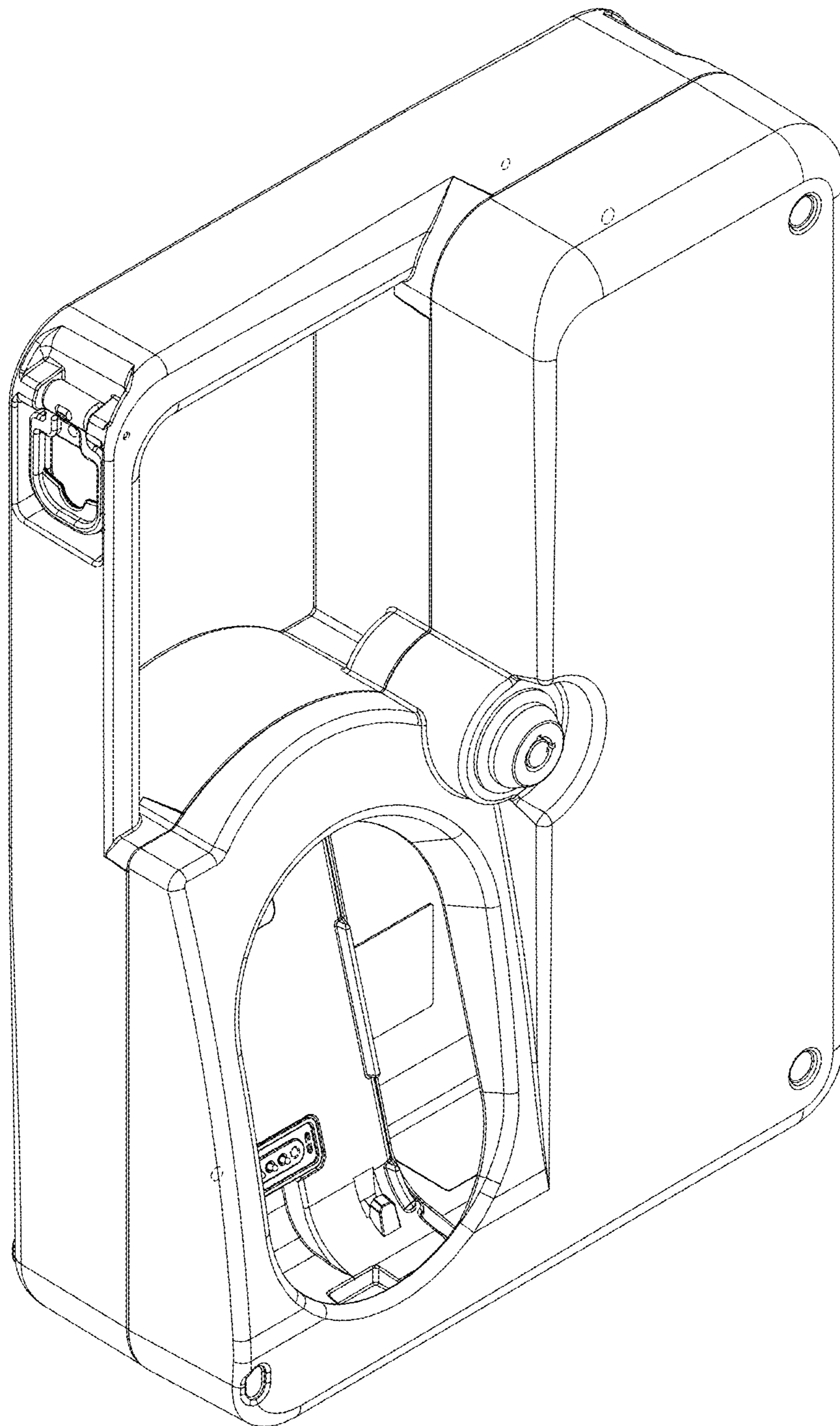


FIG.1

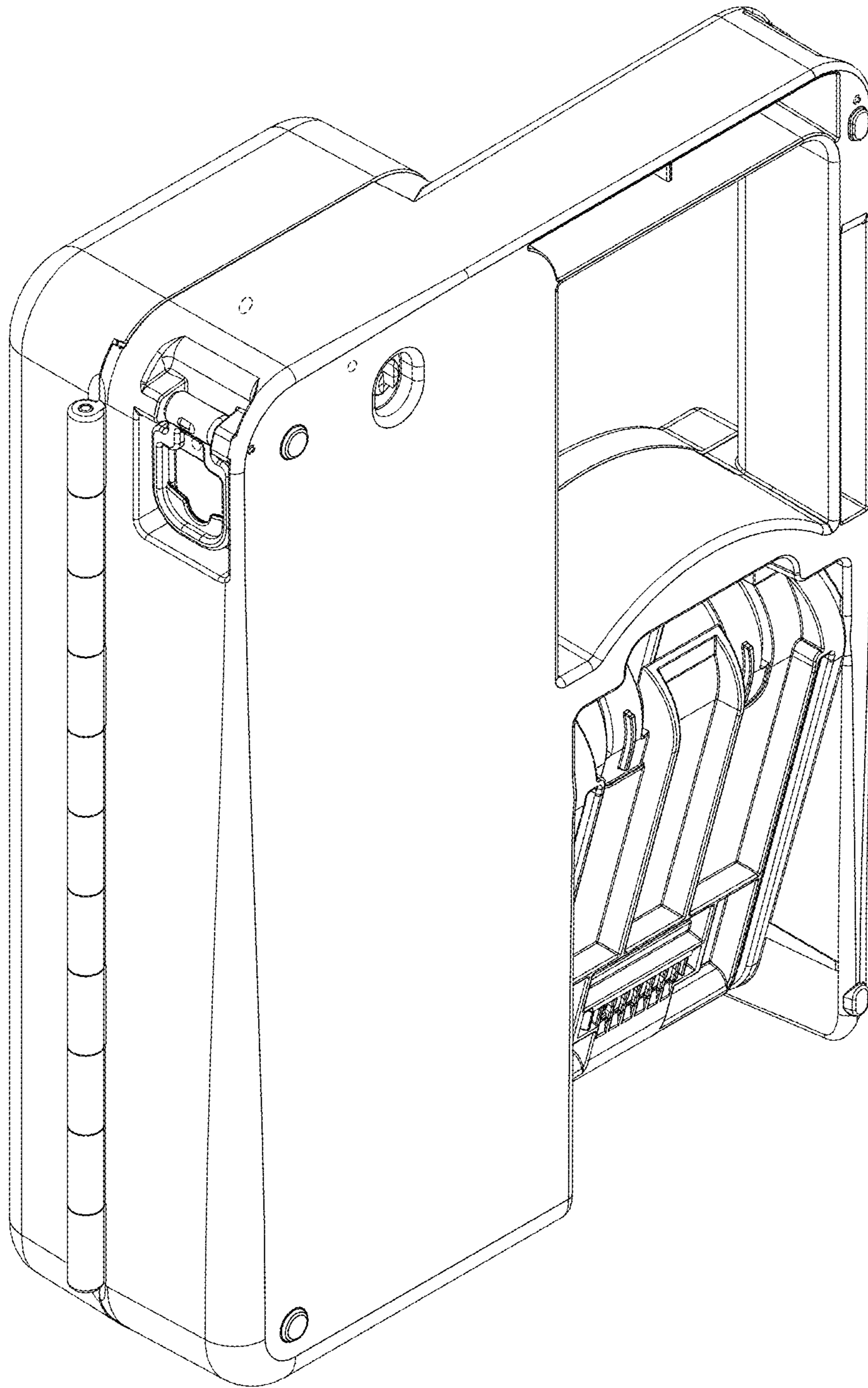


FIG.2

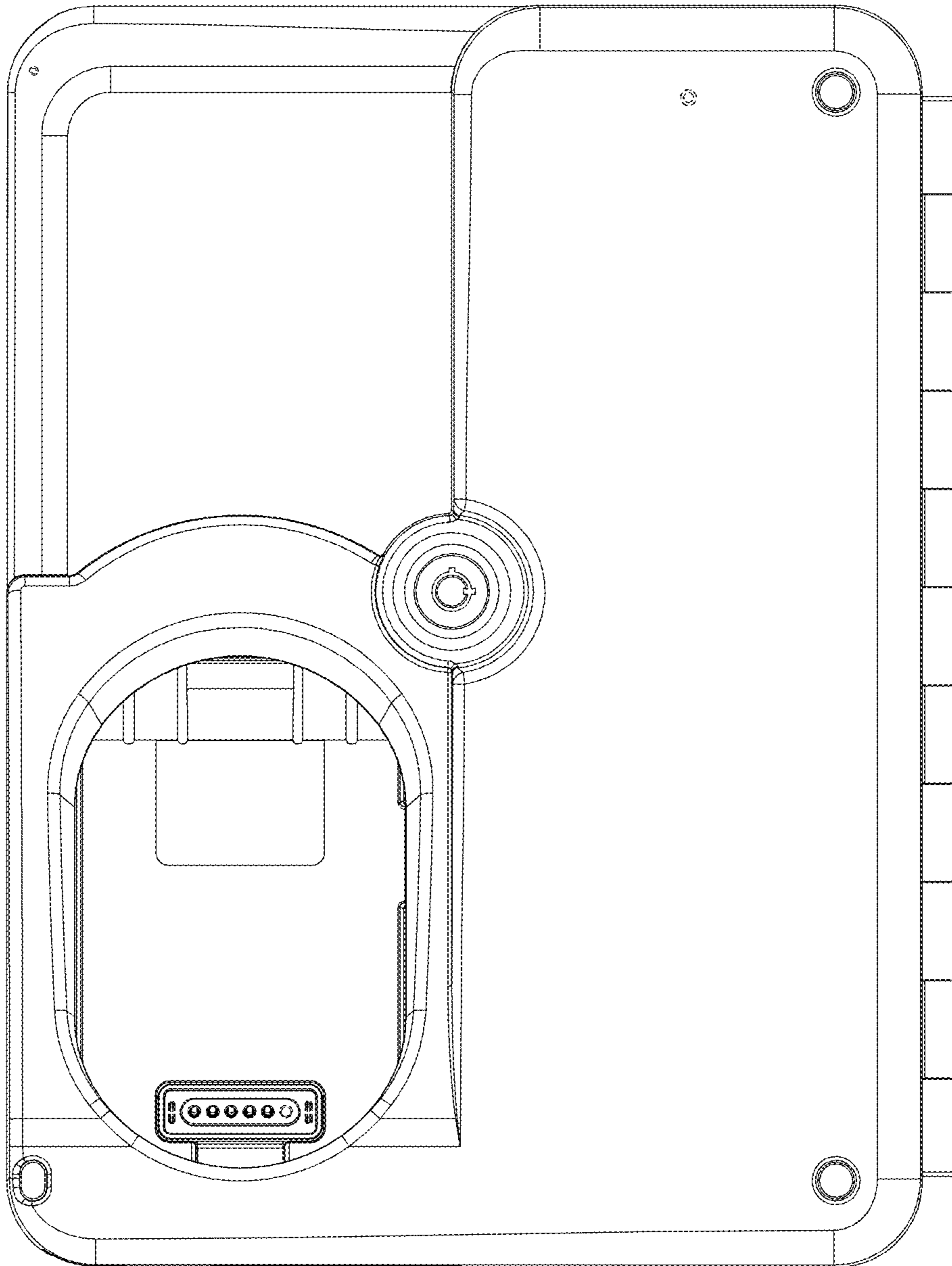


FIG. 3

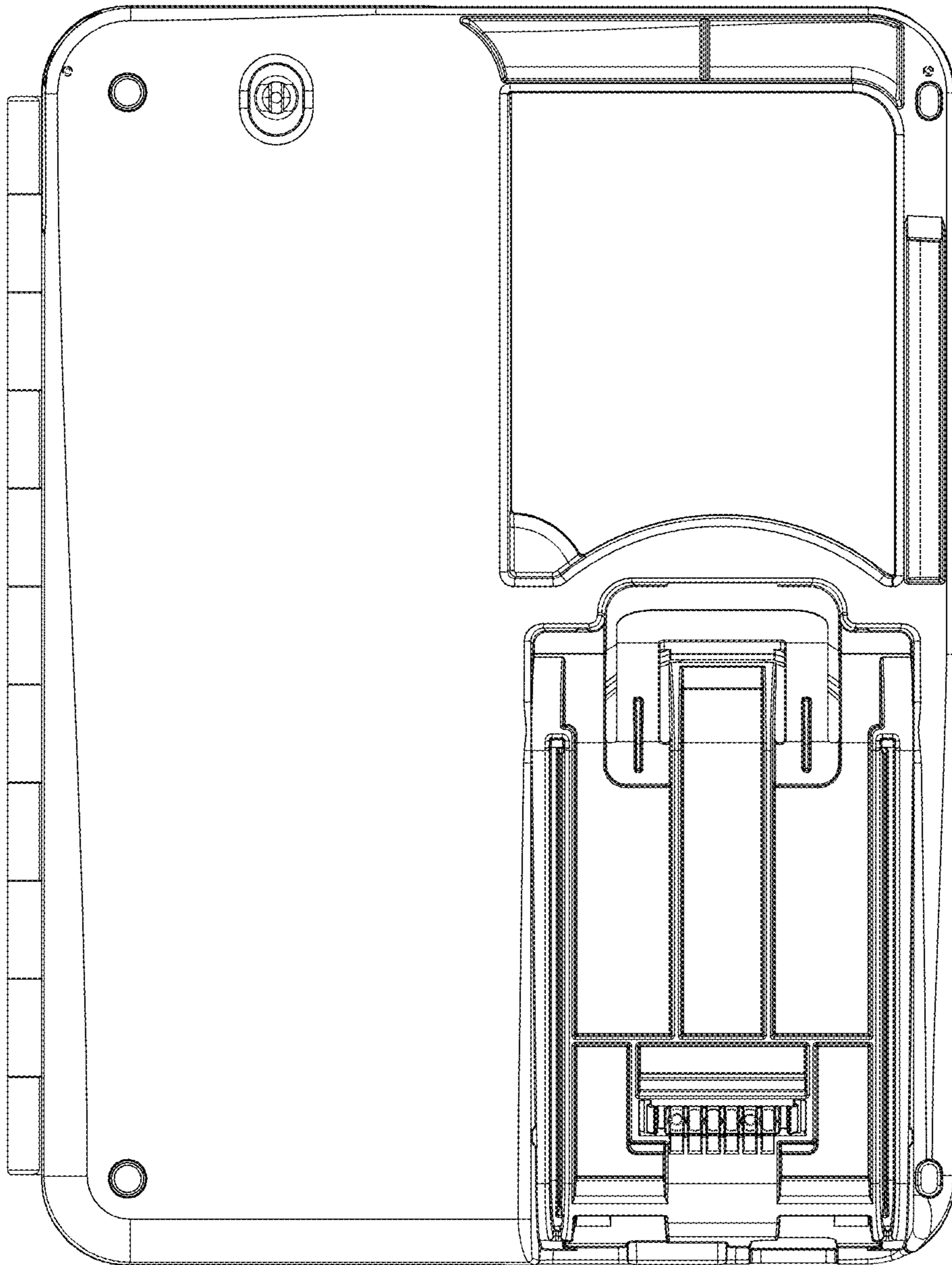


FIG. 4

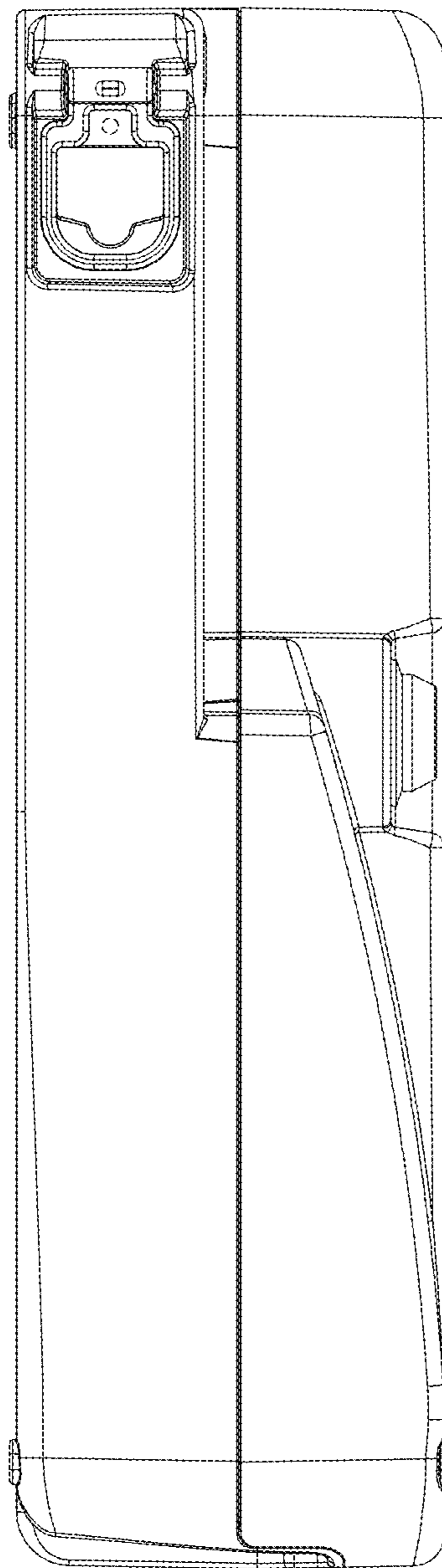


FIG. 5

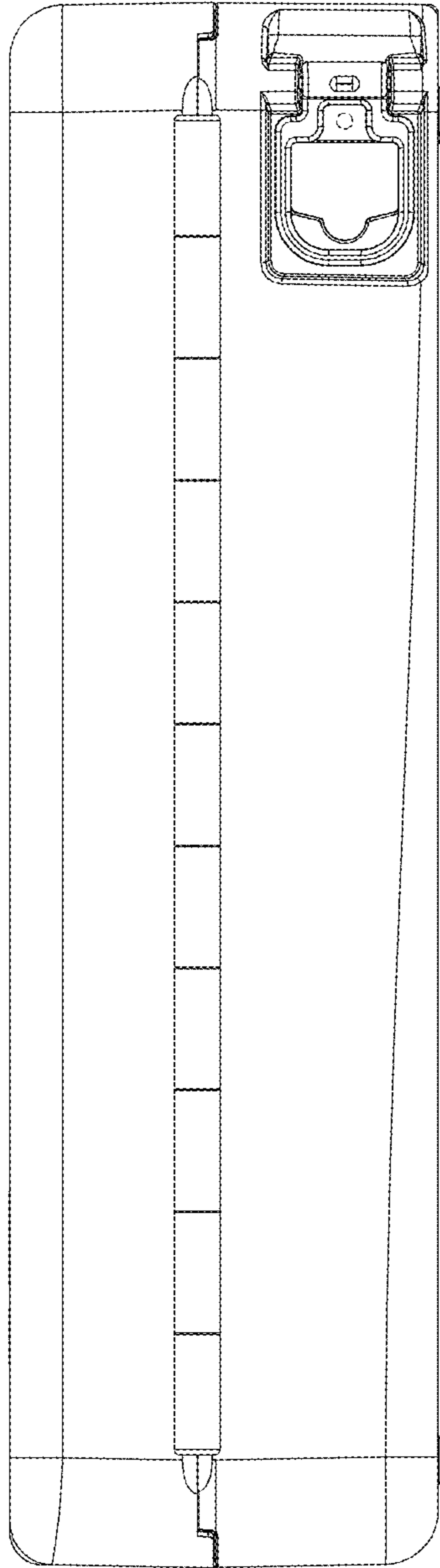


FIG.6

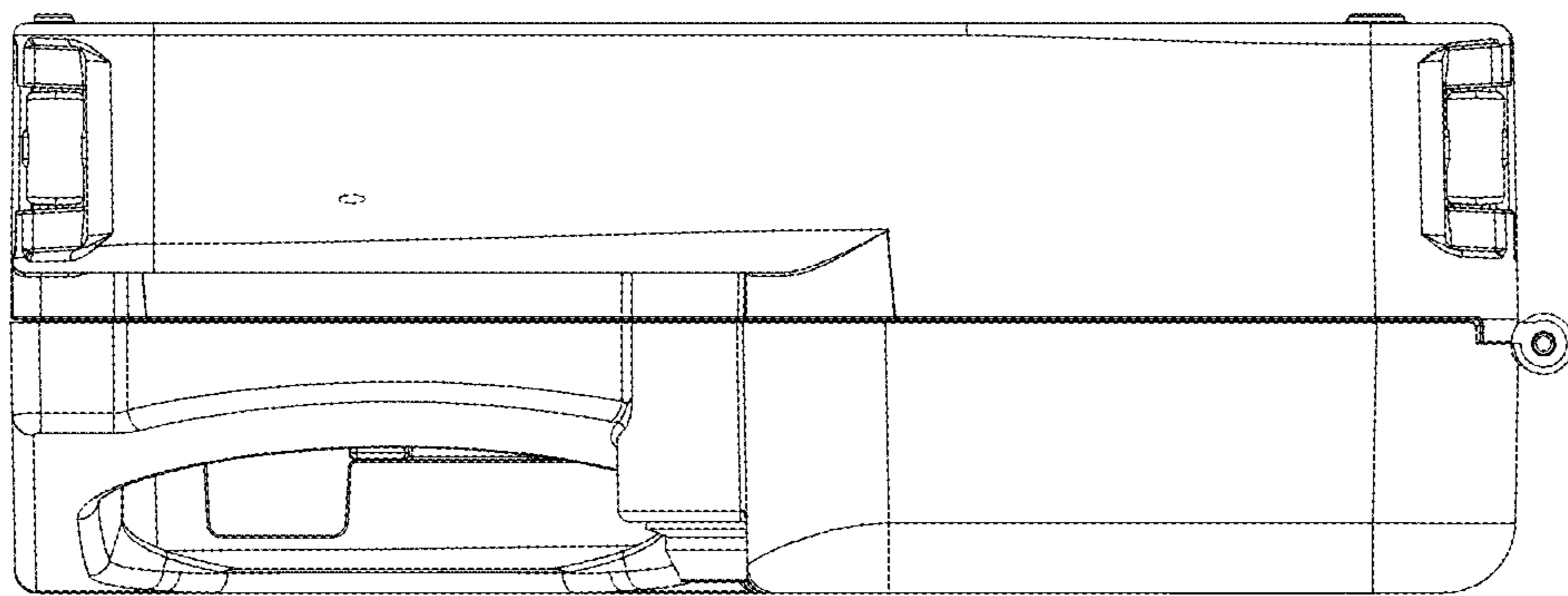


FIG. 7

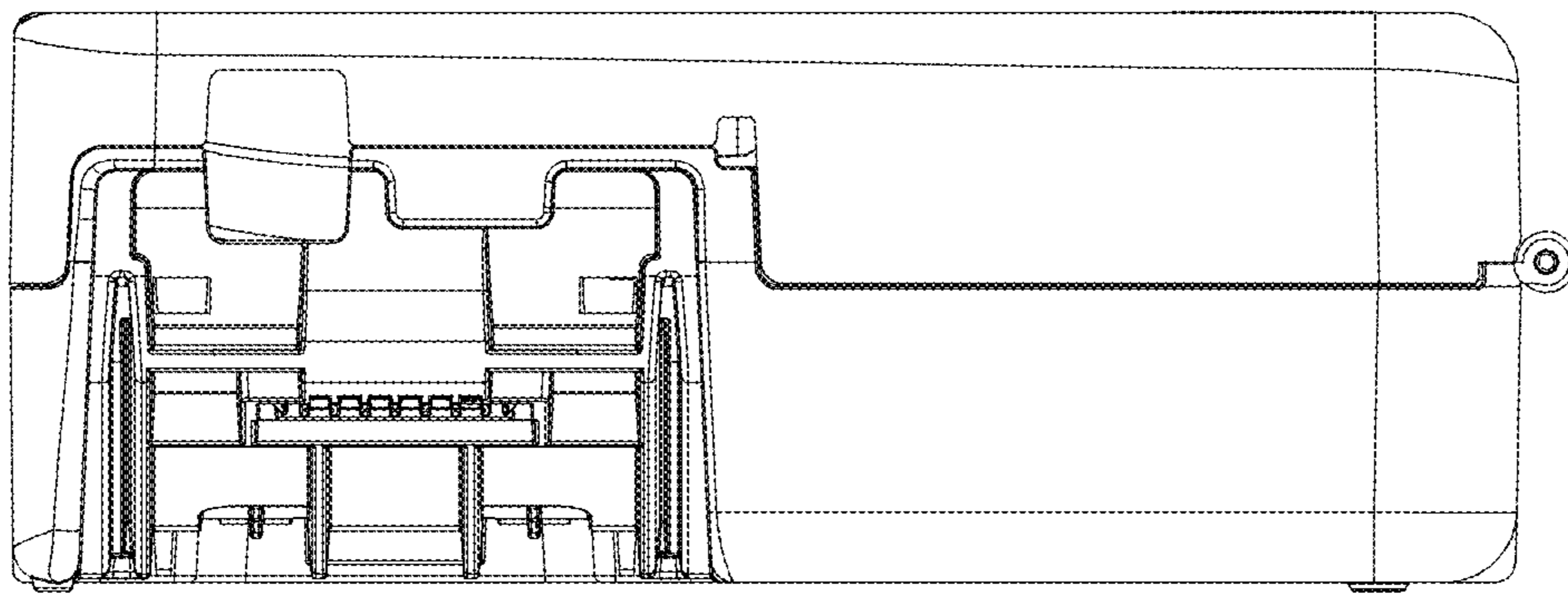


FIG. 8

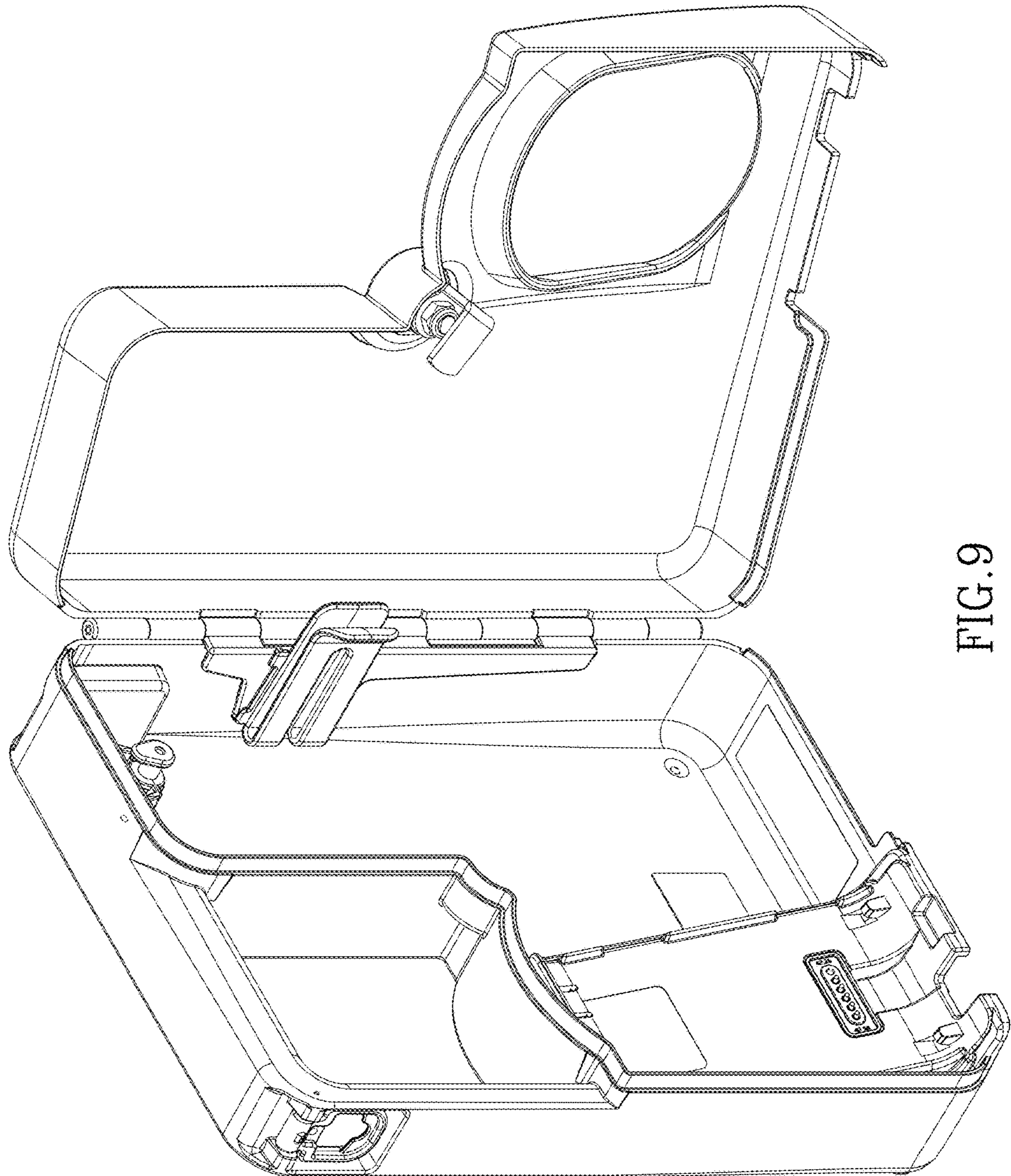


FIG. 9

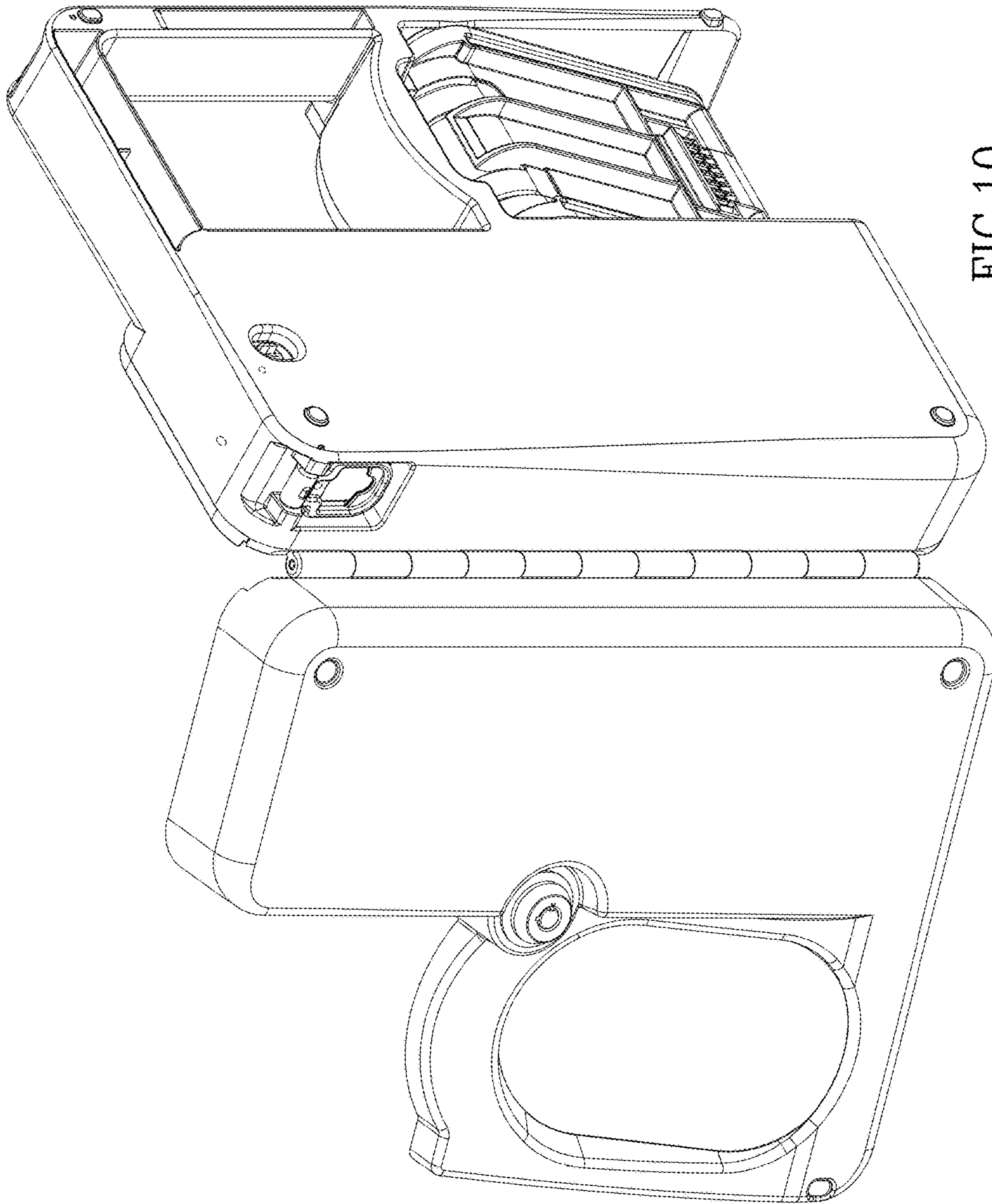


FIG.10

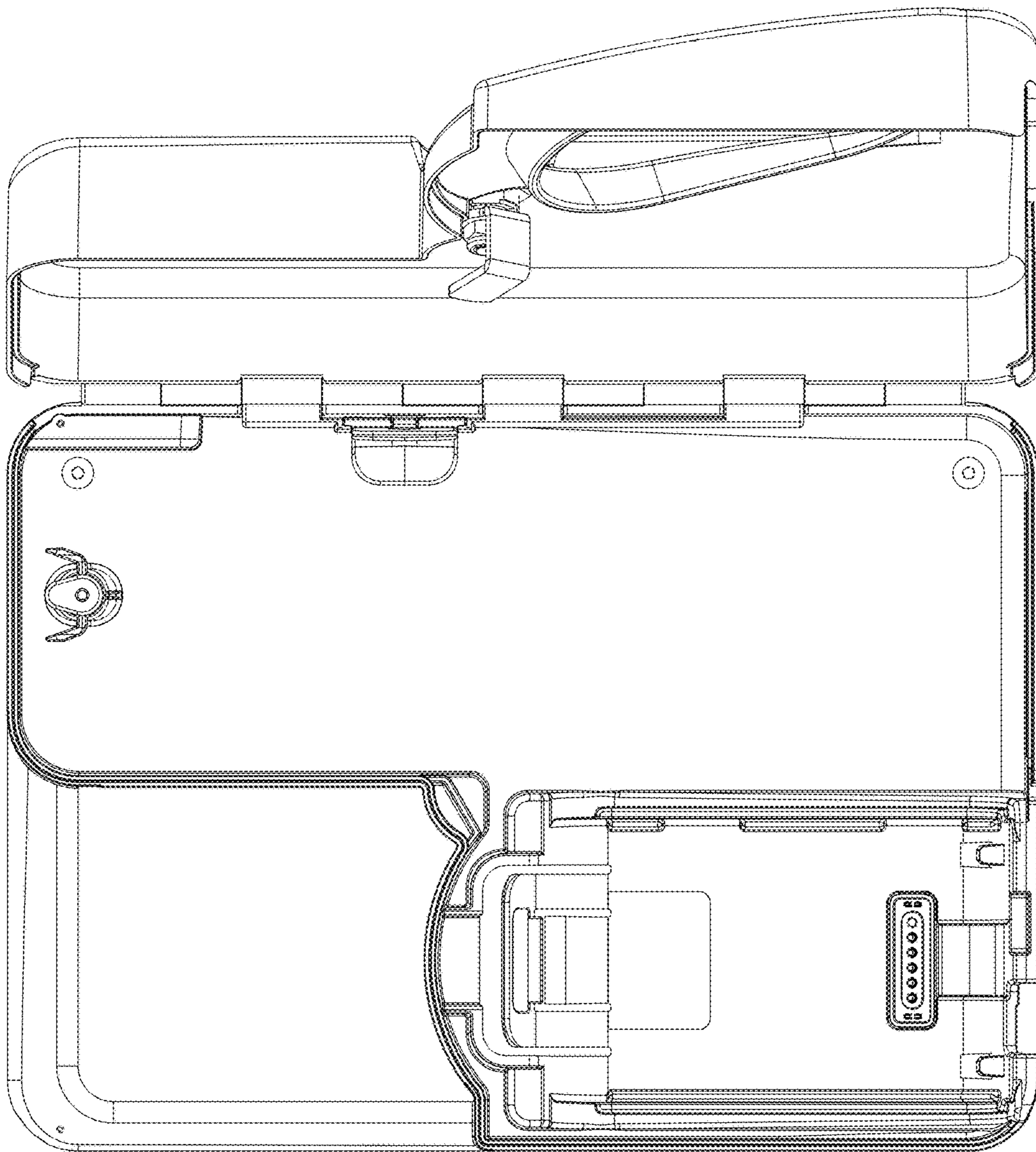


FIG.11

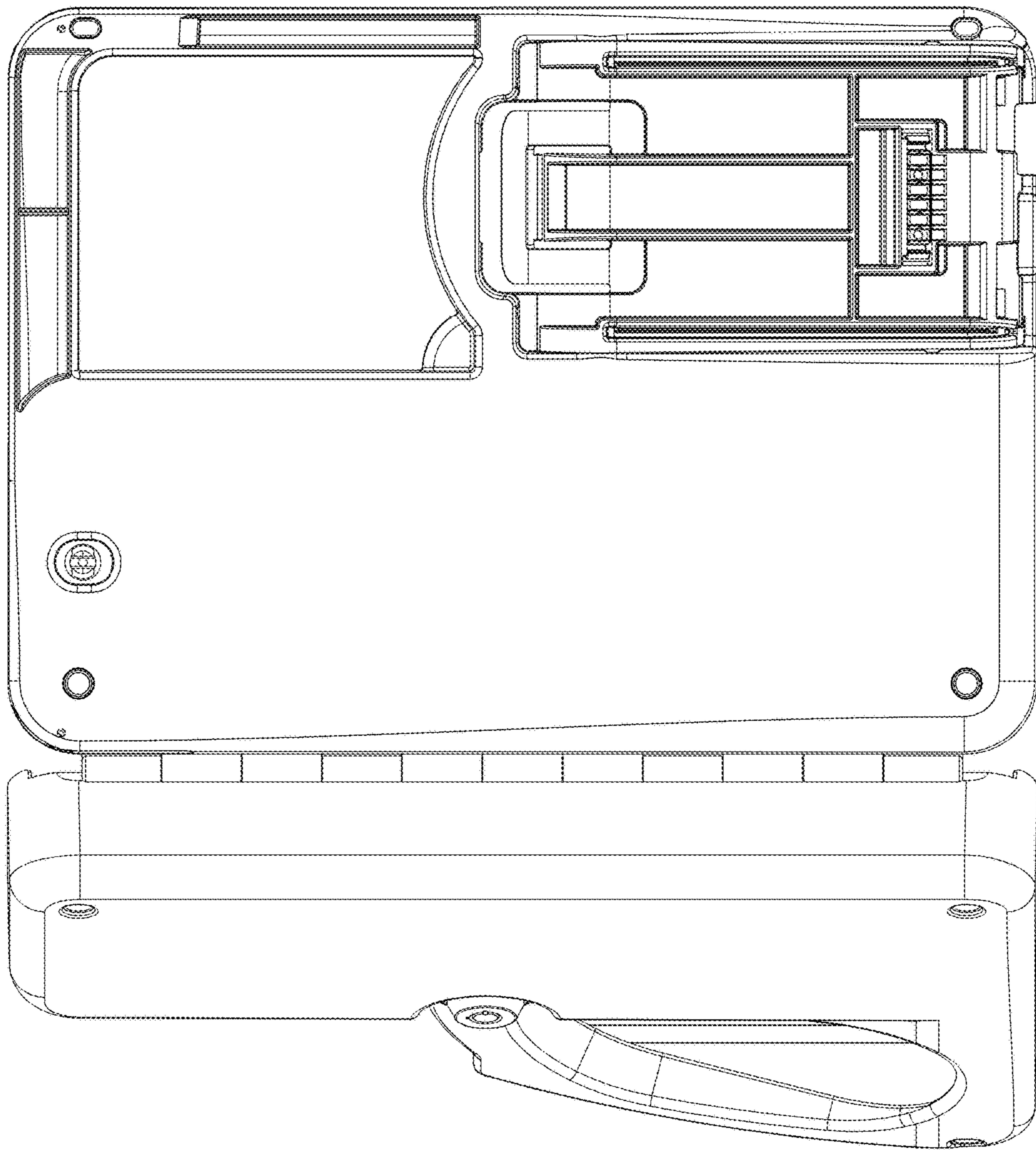


FIG.12

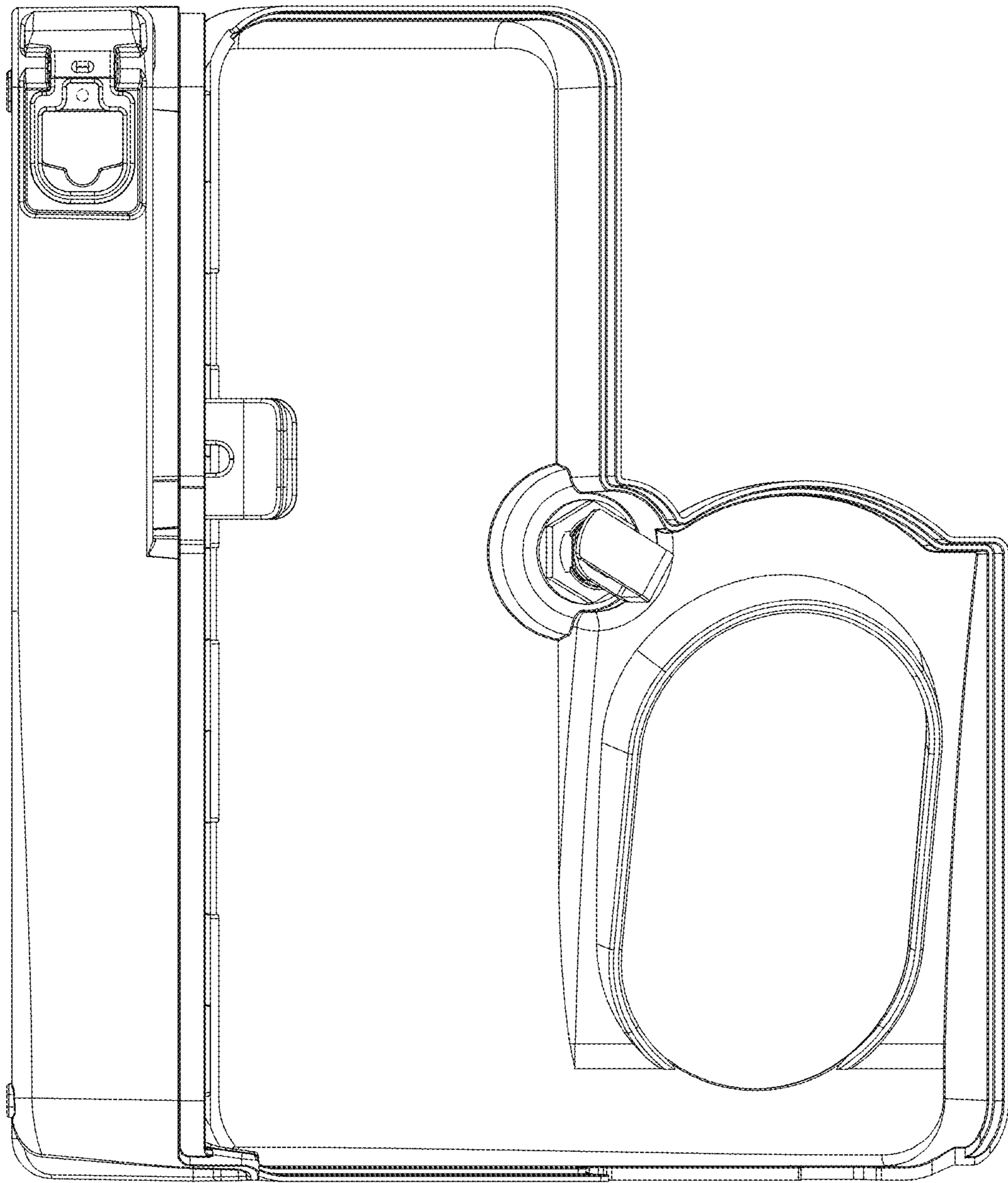


FIG.13

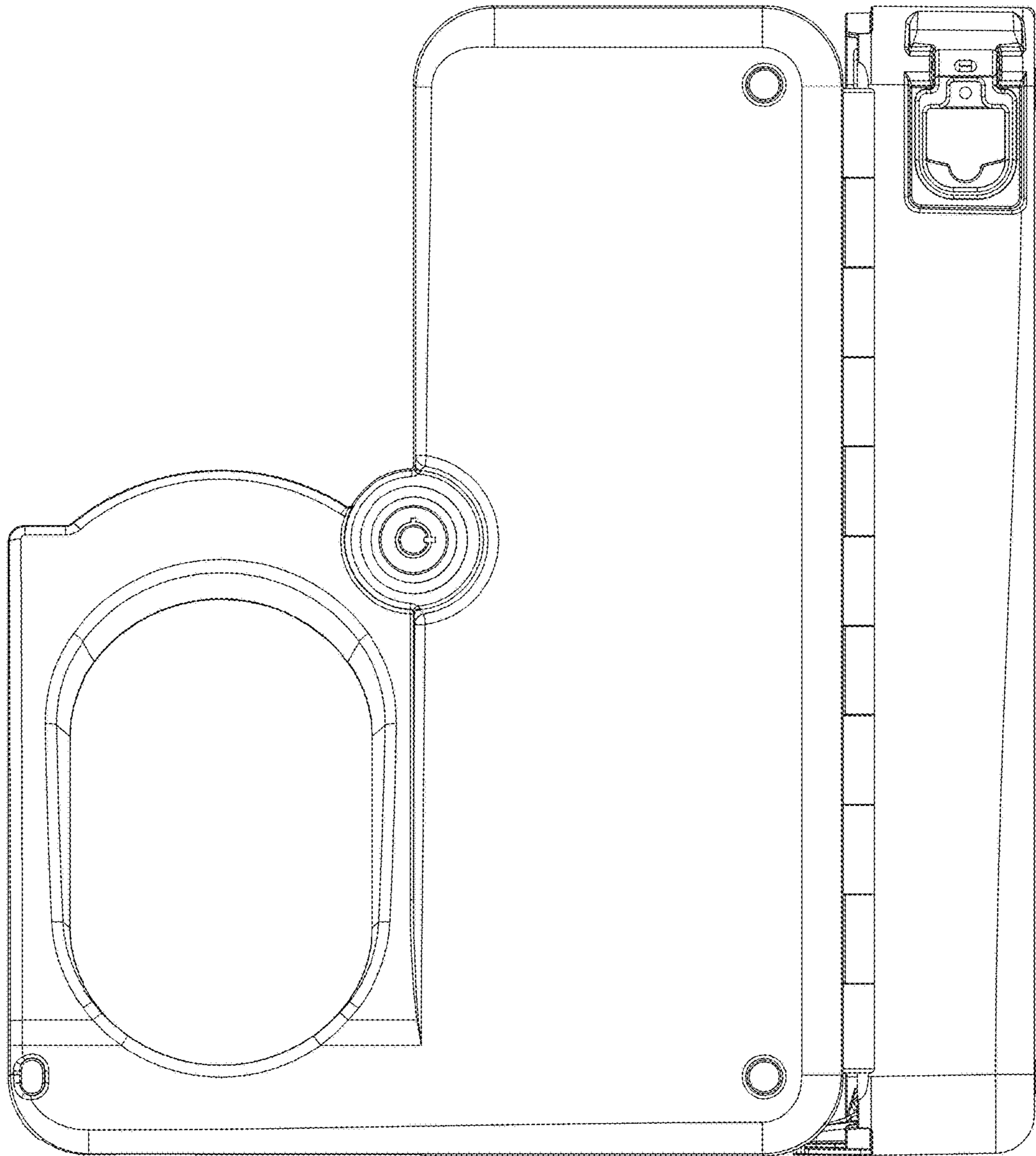


FIG.14

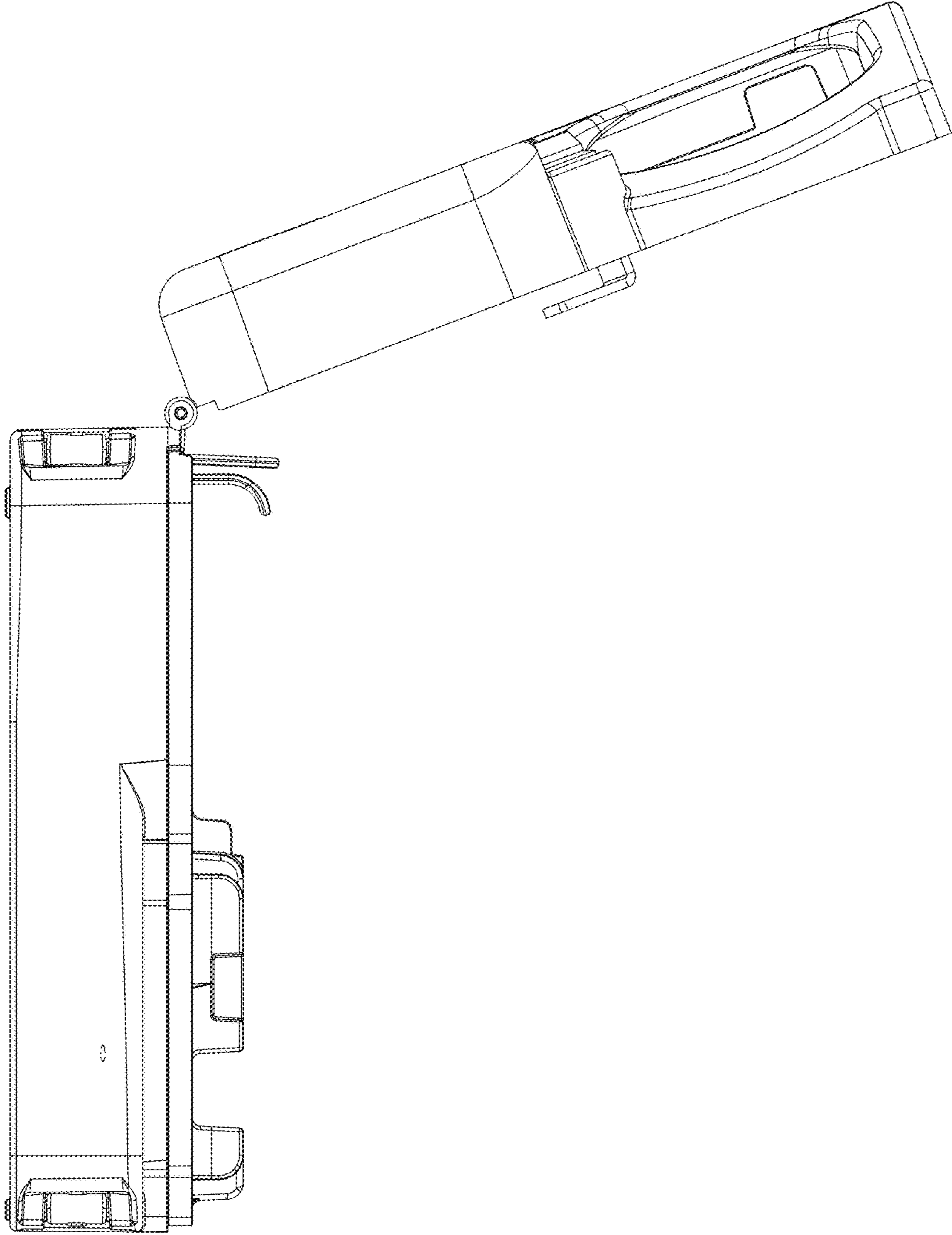


FIG.15

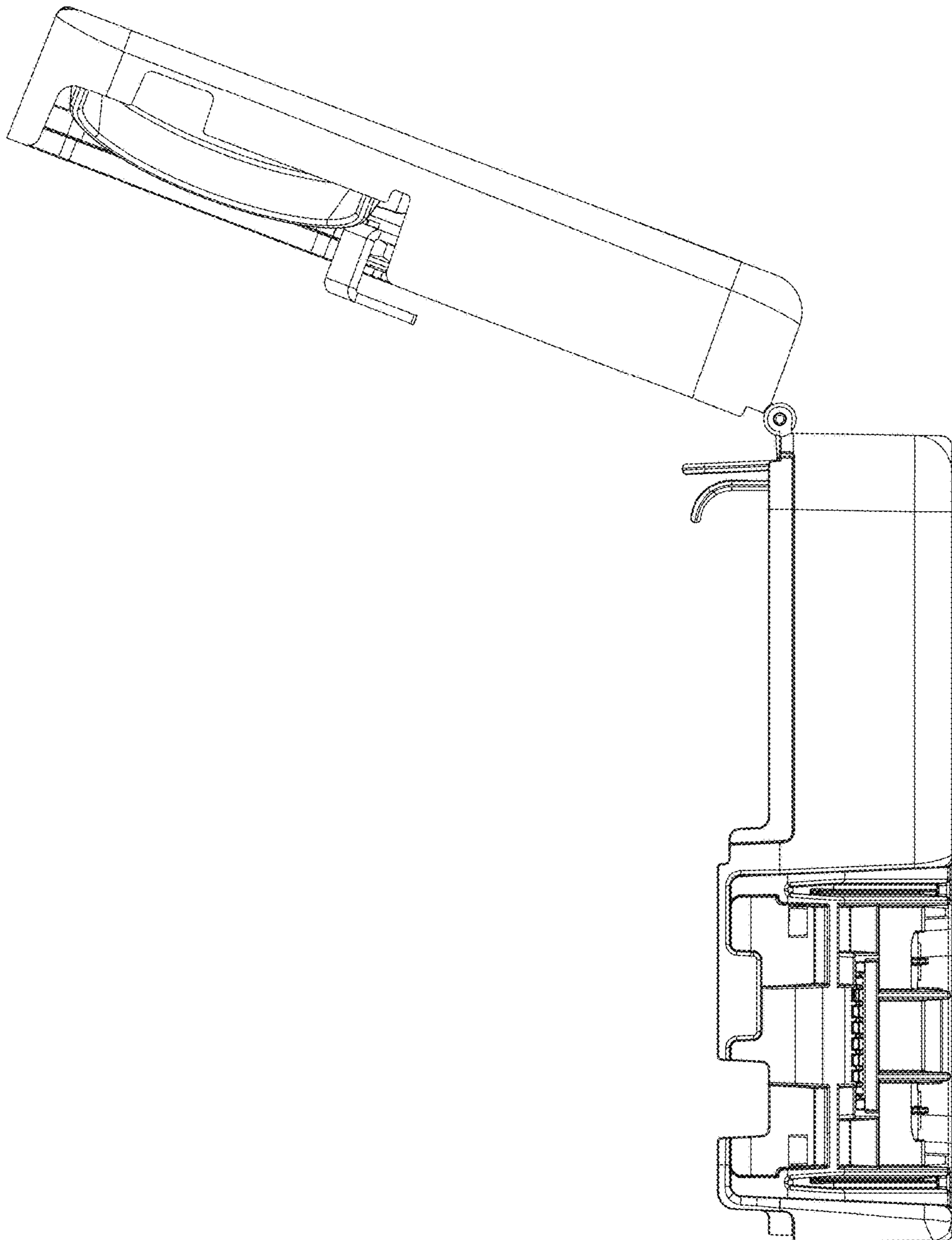


FIG.16