



US00D785894S

(12) **United States Design Patent** (10) **Patent No.:** **US D785,894 S**
Babel et al. (45) **Date of Patent:** **** May 2, 2017**

(54) **DISPLAY HOUSING FOR A LIFT TRUCK**
(71) Applicant: **Crown Equipment Corporation**, New Bremen, OH (US)
(72) Inventors: **Christoph Babel**, Tuerkenfeld (DE); **Christian Molnar**, Forstinning (DE); **James V. Kraimer**, Haimhausen (DE)
(73) Assignee: **Crown Equipment Corporation**, New Bremen, OH (US)

D576,775 S * 9/2008 Buchmann D34/34
D612,563 S * 3/2010 Stark D34/34
D649,322 S * 11/2011 Bartlett D34/35
D681,902 S * 5/2013 Hiraoka D34/34
D696,831 S * 12/2013 Kazaoka D34/35
D720,515 S * 12/2014 Warner D34/35
D744,904 S * 12/2015 Criss, Jr. D12/107
D746,014 S * 12/2015 Rekow D34/35
D746,534 S * 12/2015 Rekow D34/35

(**) Term: **15 Years**
(21) Appl. No.: **29/540,735**

* cited by examiner
Primary Examiner — Cynthia Ramirez
(74) *Attorney, Agent, or Firm* — Stevens & Showalter, LLP

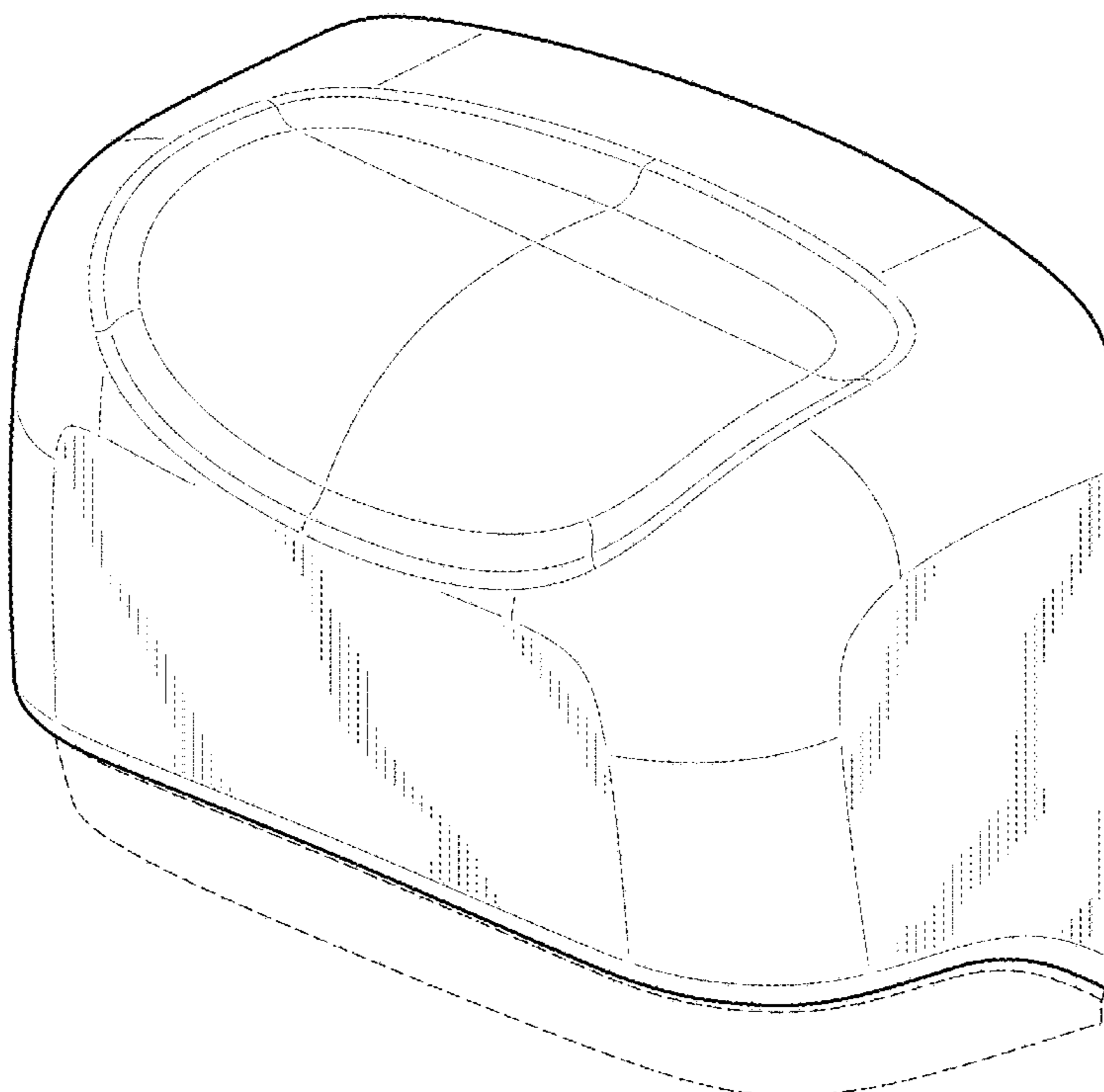
(22) Filed: **Sep. 28, 2015**
(51) **LOC (10) Cl.** **12-05**
(52) **U.S. Cl.**
USPC **D34/35**
(58) **Field of Classification Search**
USPC D34/34, 35; 414/572, 592, 631, 785, 414/640, 601, 602, 685, 687, 688, 694; 180/89.12, 89.13, 89.17; D15/22–29, 30, D15/31
CPC B66F 9/24; B66F 9/07563; B66F 9/105; B66F 9/07545; B66F 9/12; B66F 9/146; B66F 9/195; B66F 17/003
See application file for complete search history.

(57) **CLAIM**
The ornamental design for a display housing for a lift truck, as shown and described.

(56) **References Cited**
U.S. PATENT DOCUMENTS
D242,337 S * 11/1976 De Priester et al. D34/37
7,014,007 B2 * 3/2006 Iwamoto B62D 21/186
180/311

DESCRIPTION
FIG. 1 is a perspective view of the display housing for a lift truck;
FIG. 2 is a top view thereof;
FIG. 3 is a bottom view thereof;
FIG. 4 is a front elevational view thereof;
FIG. 5 is a rear elevational view thereof; and,
FIG. 6 is a right elevational view thereof, the left elevational view being a mirror image of the right elevational view.
The broken lines are included for the purpose of illustrating portions of the display housing for a lift truck and form no part of the claimed design.

1 Claim, 6 Drawing Sheets



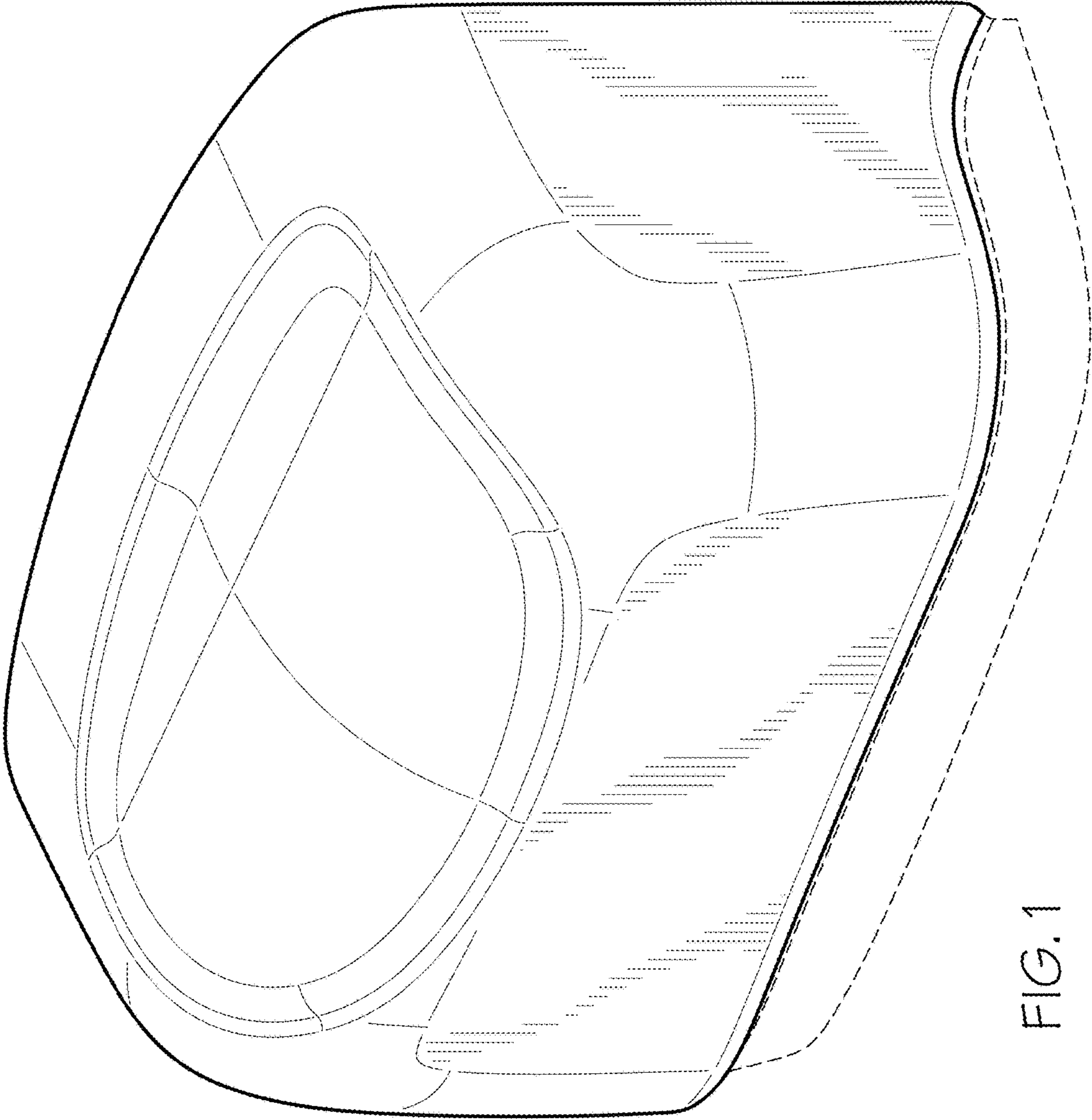


FIG. 1

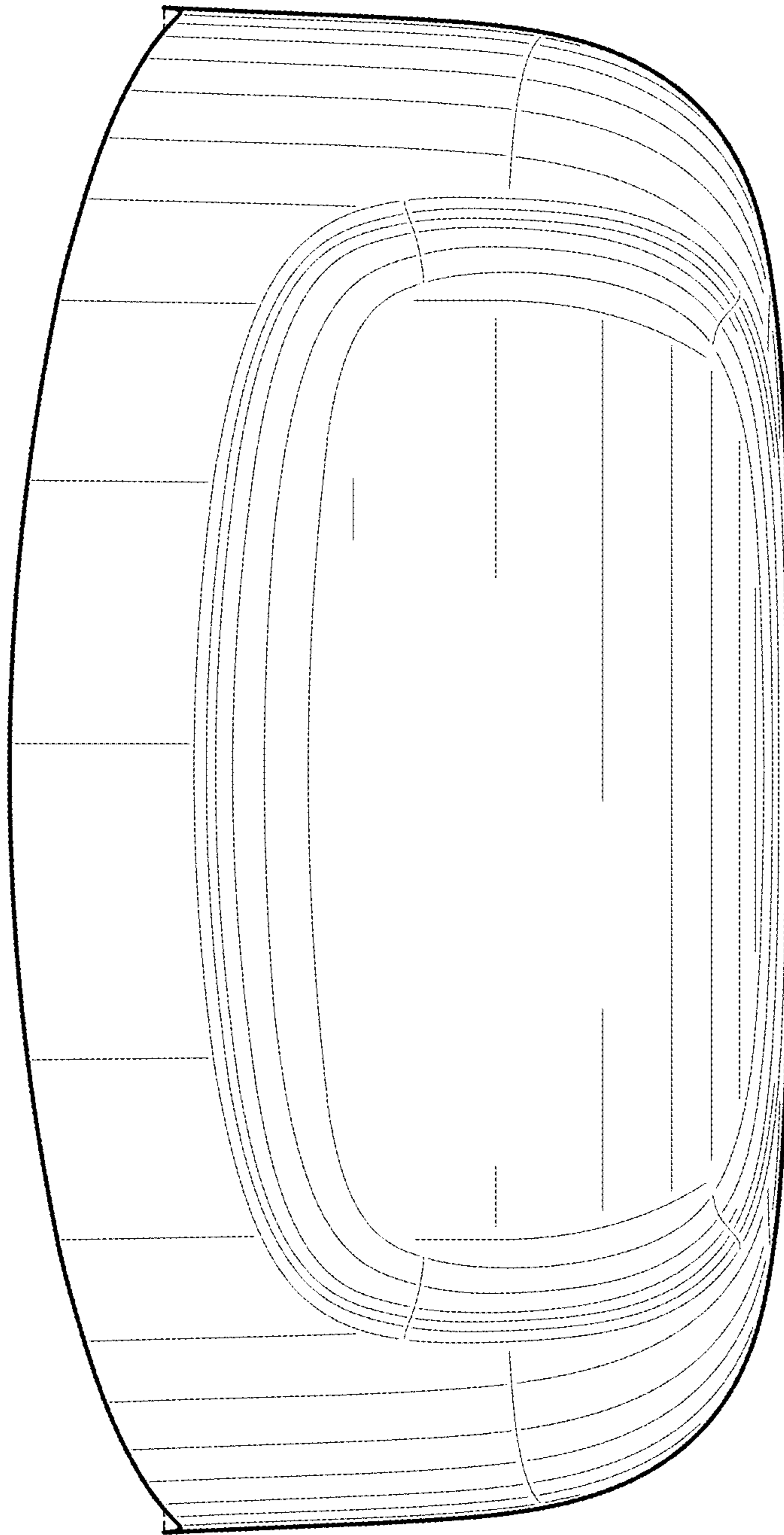


FIG. 2

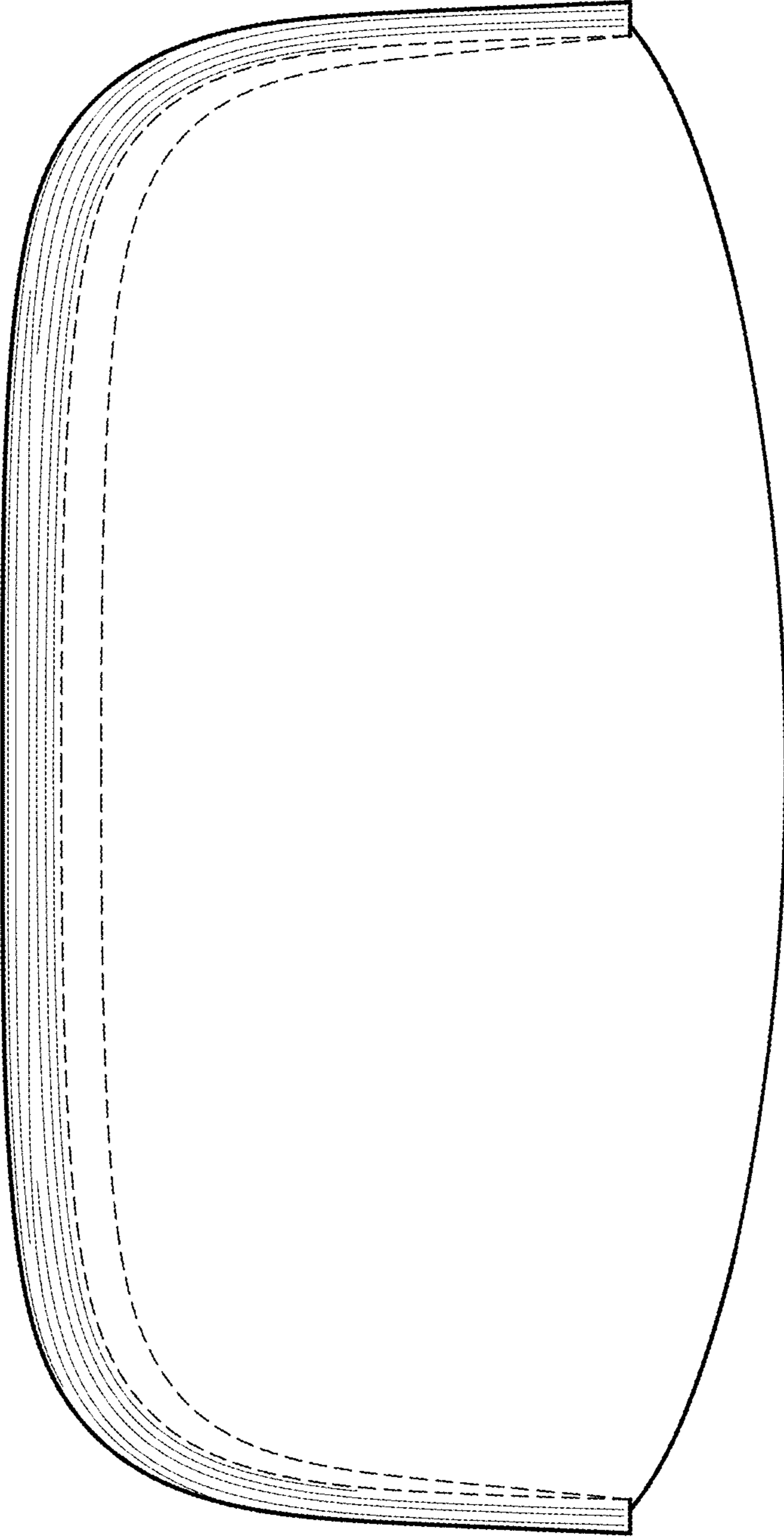


FIG. 3

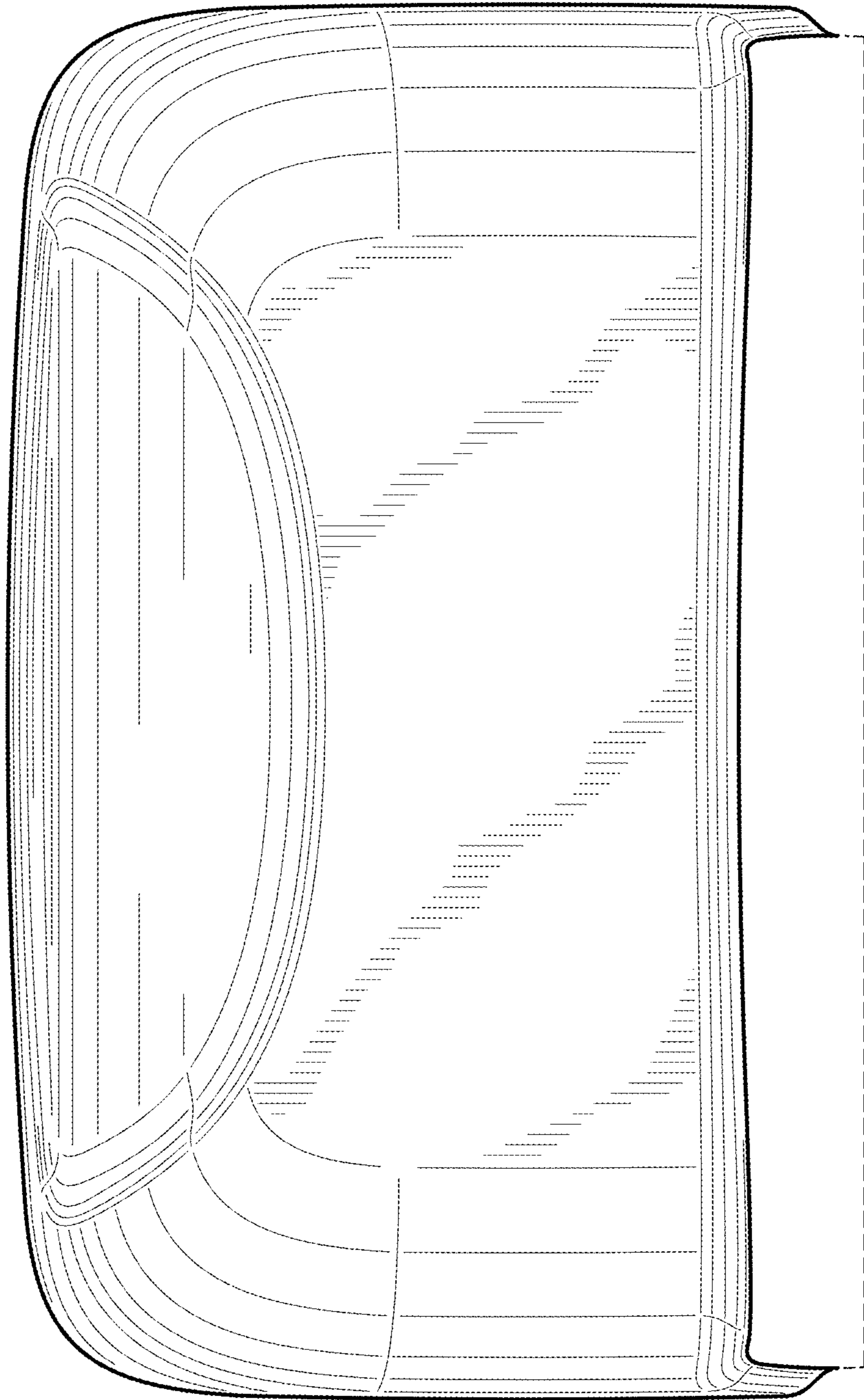


FIG. 4

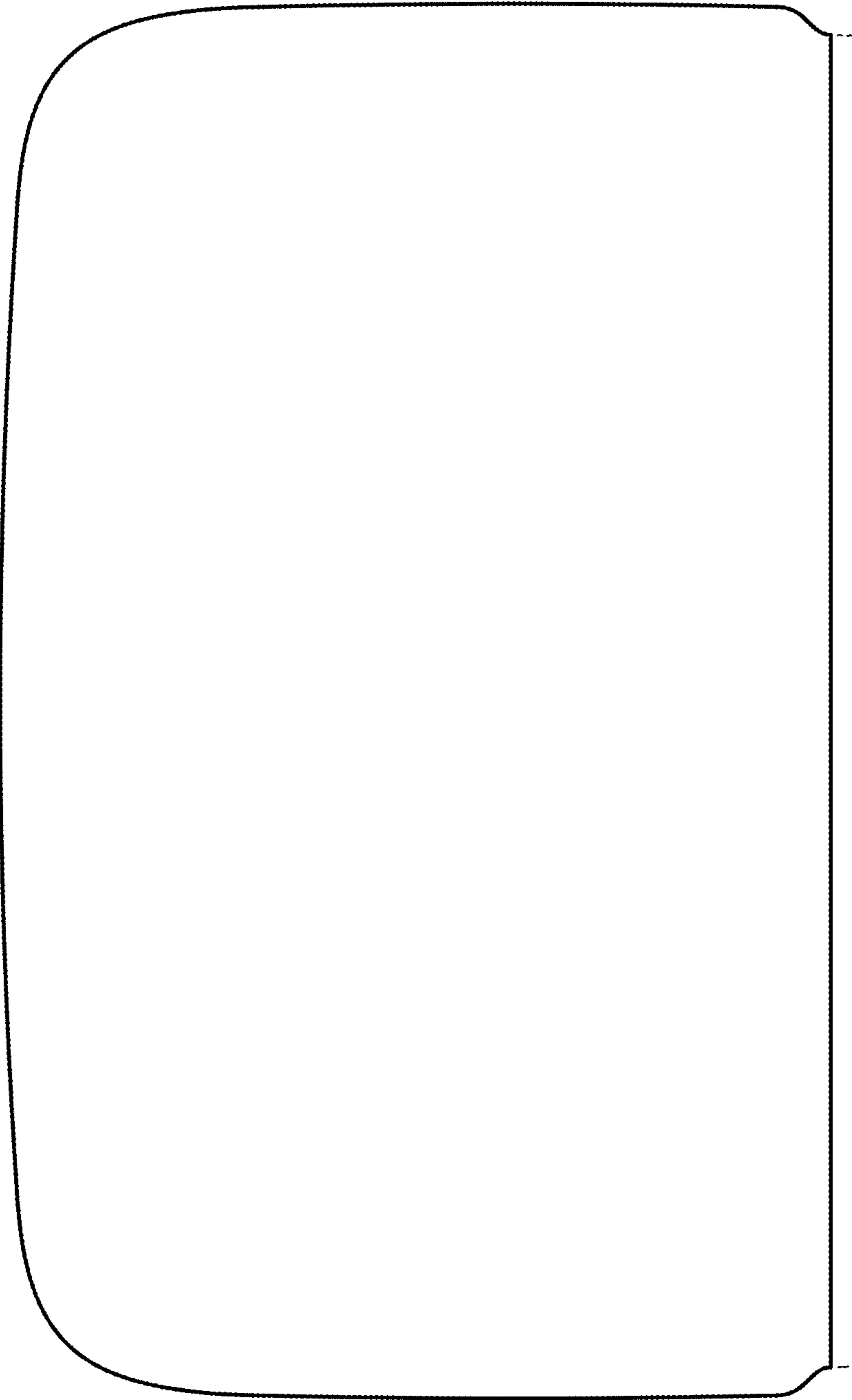


FIG. 5

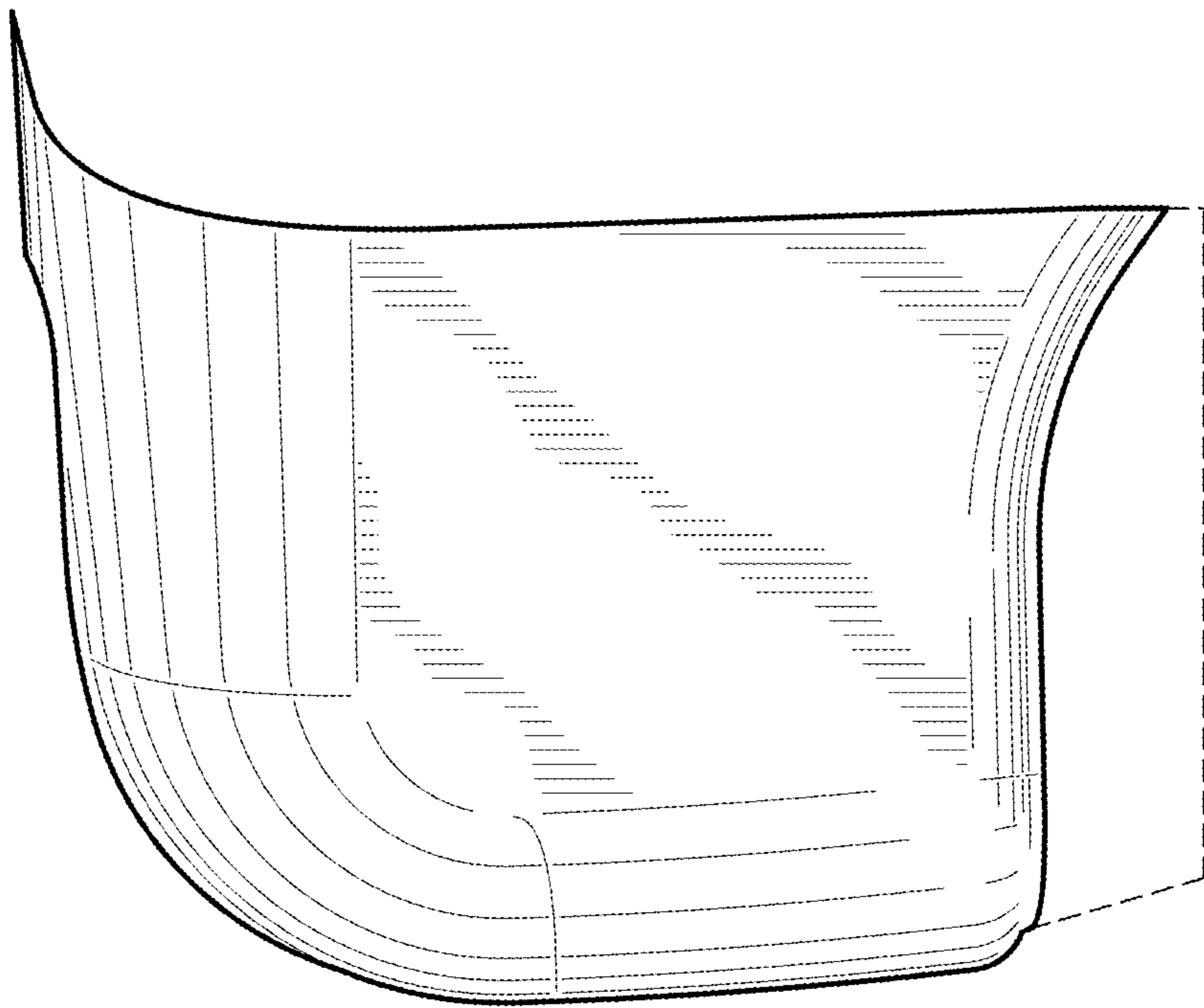


FIG. 6