



US00D785893S

(12) **United States Design Patent**  
**Kim et al.**

(10) **Patent No.:** **US D785,893 S**

(45) **Date of Patent:** **\*\* May 2, 2017**

(54) **GIMBAL**

(56) **References Cited**

(71) Applicant: **SZ DJI Technology Co., Ltd.**,  
Shenzhen, Guangdong (CN)

(72) Inventors: **Min Kim**, Shenzhen (CN); **Paul Pan**,  
Shenzhen (CN); **Yan-Chong Zhao**,  
Shenzhen (CN); **Hao Liu**, Shenzhen  
(CN)

(73) Assignee: **SZ DJI Technology Co., Ltd.**,  
Shenzhen (CN)

(\*\*) Term: **15 Years**

(21) Appl. No.: **29/567,823**

(22) Filed: **Jun. 13, 2016**

U.S. PATENT DOCUMENTS

D348,134	S	*	6/1994	McCanse	.....	D34/28
5,632,475	A	*	5/1997	McCanse	.....	B25H 1/0007 254/134
6,116,577	A	*	9/2000	McCanse	.....	B66F 9/08 254/2 B
8,094,414	B1	*	1/2012	Cheng	.....	G11B 5/4826 360/244.5
D676,213	S	*	2/2013	Dyrvall	.....	D34/28
9,196,274	B2	*	11/2015	Stephan	.....	G11B 5/48
D759,335	S	*	6/2016	Kim	.....	D34/28

\* cited by examiner

*Primary Examiner* — Cynthia Ramirez

(74) *Attorney, Agent, or Firm* — Sterne, Kessler,  
Goldstein & Fox P.L.L.C.

(57) **CLAIM**

The ornamental design for a gimbal, as shown and described.

**Related U.S. Application Data**

(63) Continuation of application No. 29/513,070, filed on  
Dec. 25, 2014, now Pat. No. Des. 759,335.

(30) **Foreign Application Priority Data**

Jun. 27, 2014 (CN) ..... 2014 3 0207007

(51) **LOC (10) Cl.** ..... **12-05**

(52) **U.S. Cl.**  
USPC ..... **D34/28**

(58) **Field of Classification Search**

USPC ..... D34/28, 32, 33; 254/89 H, 89 R, 134,  
254/98 H

CPC ..... B66F 9/08; B25F 1/0007; G11B 5/4826

See application file for complete search history.

**DESCRIPTION**

FIG. 1 is a top front perspective view of a gimbal showing  
the claimed design;

FIG. 2 is a front view thereof;

FIG. 3 is a rear view thereof;

FIG. 4 is a left side view thereof;

FIG. 5 is a right side view thereof;

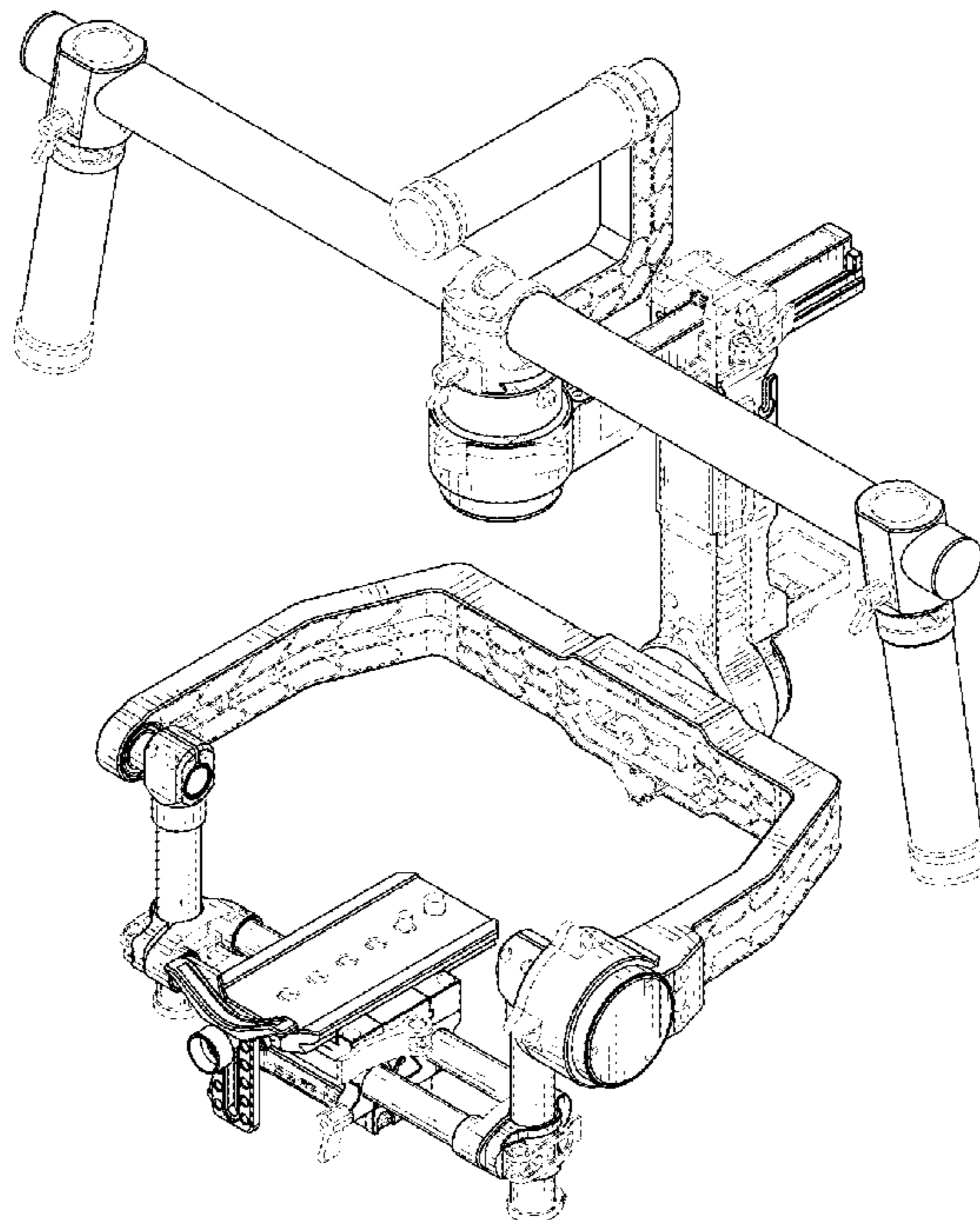
FIG. 6 is a top view thereof;

FIG. 7 is a bottom view thereof; and,

FIG. 8 is a perspective view thereof showing the gimbal in  
an environment in which it may be used.

The broken lines in the figures show portions of the gimbal  
and environment that form no part of the claimed design.

**1 Claim, 8 Drawing Sheets**



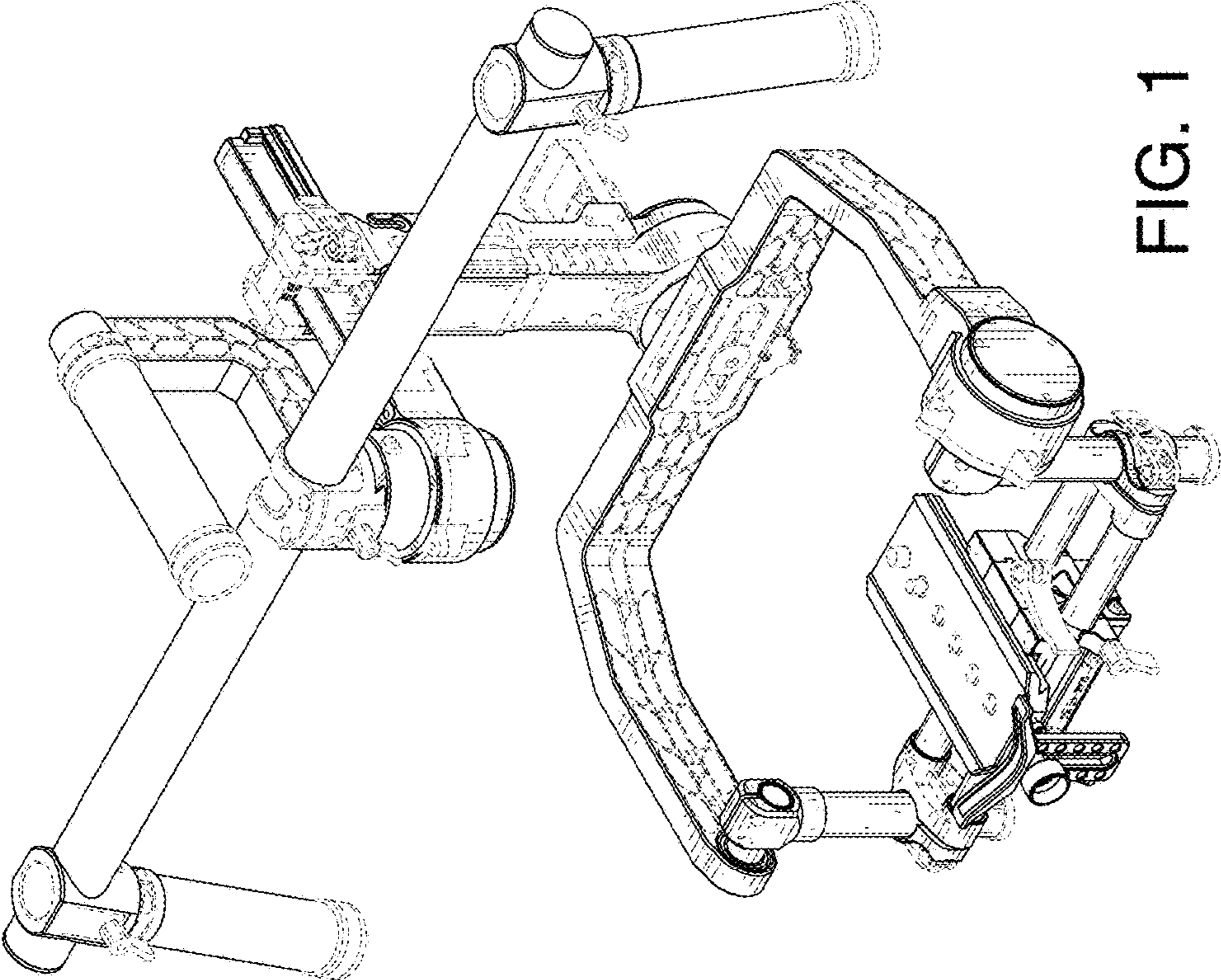


FIG. 1

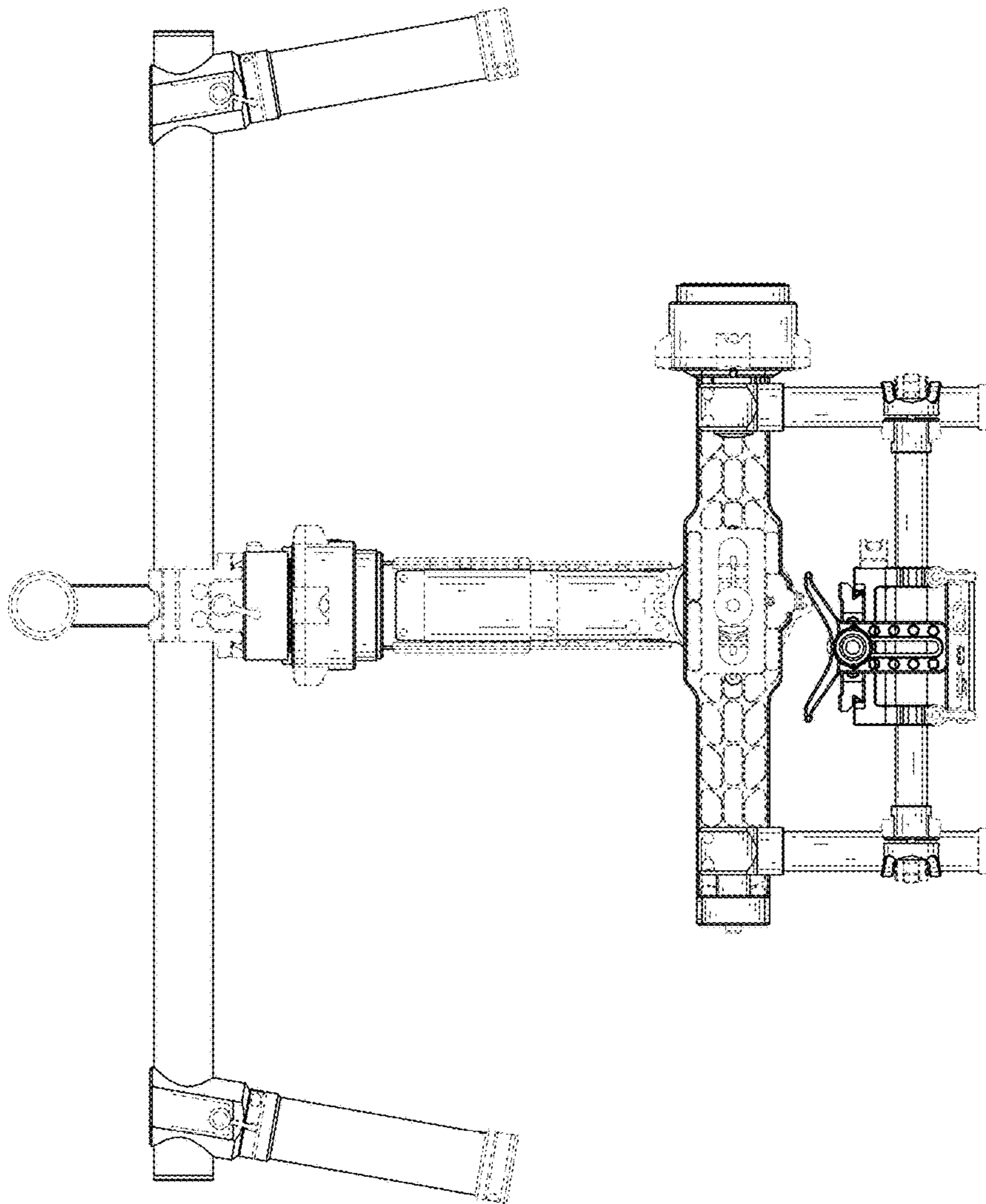


FIG. 2

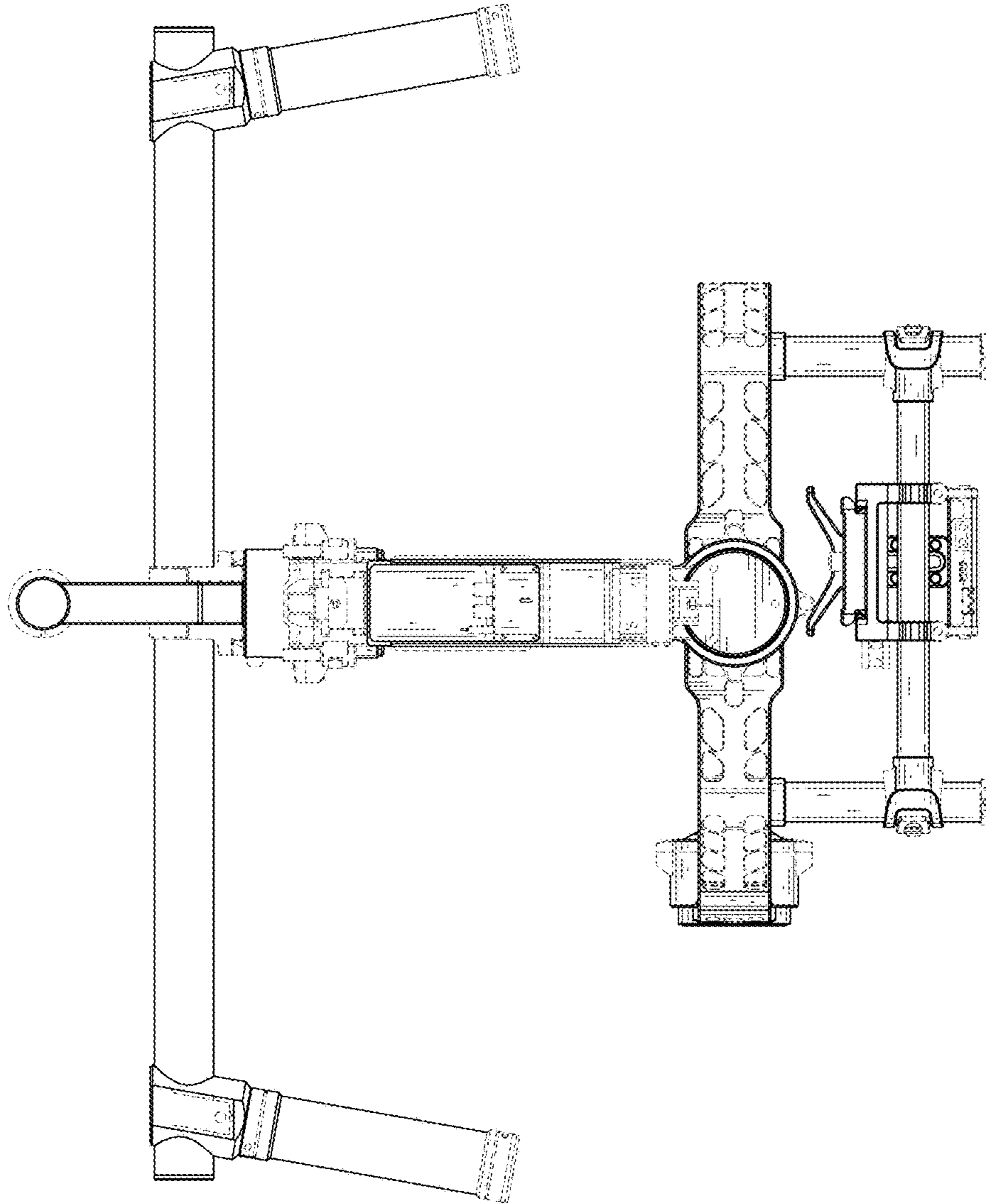


FIG. 3

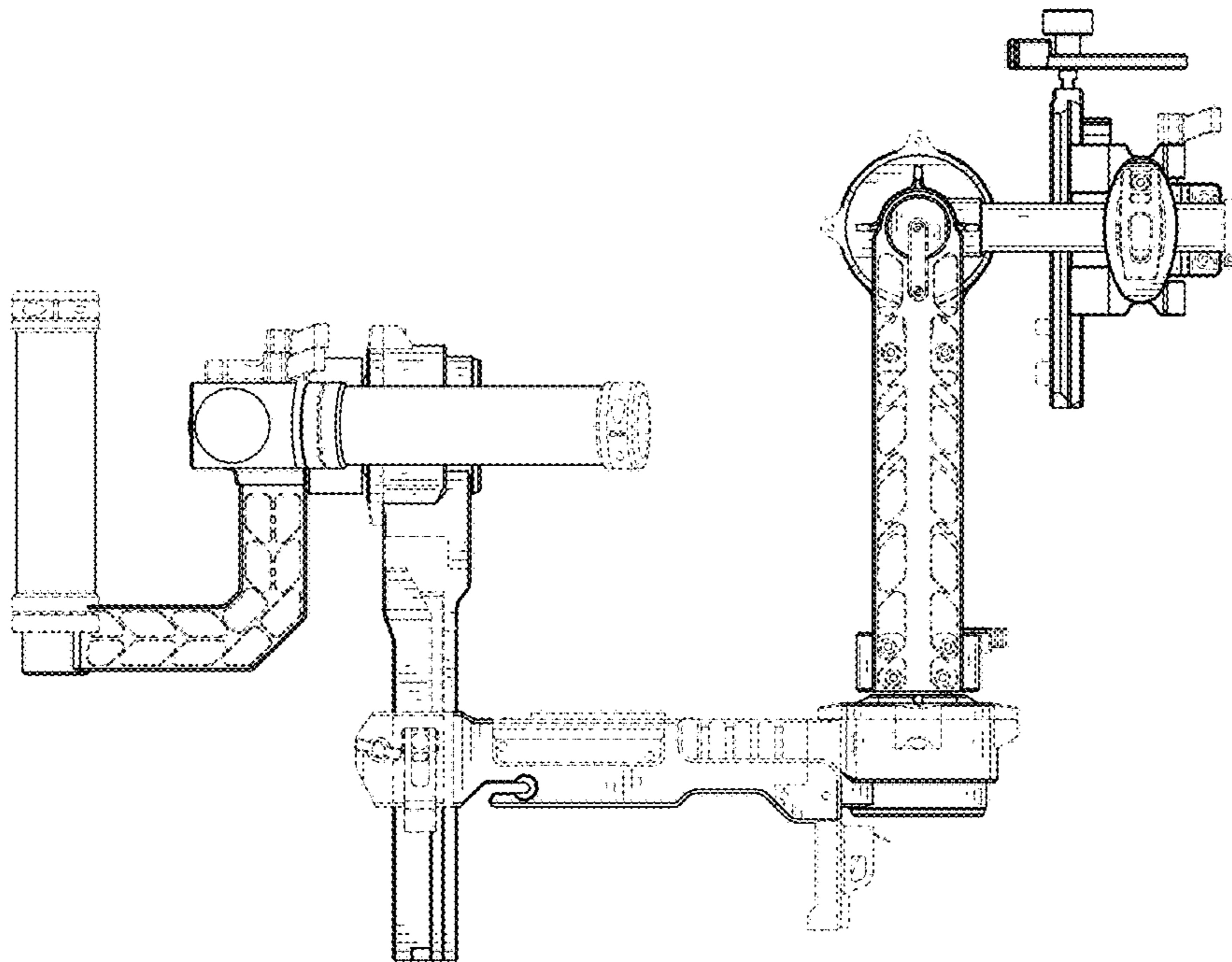


FIG. 4

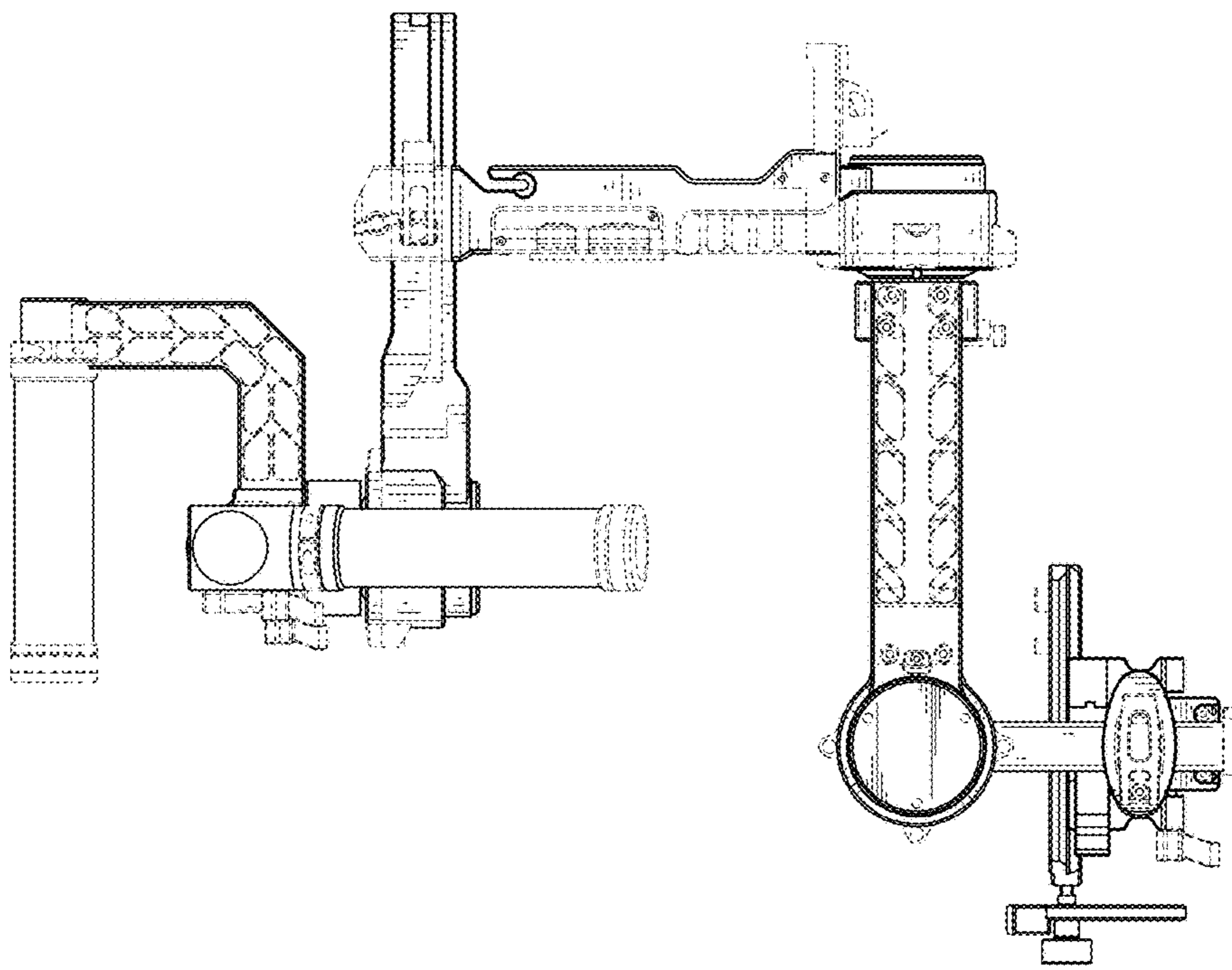


FIG. 5

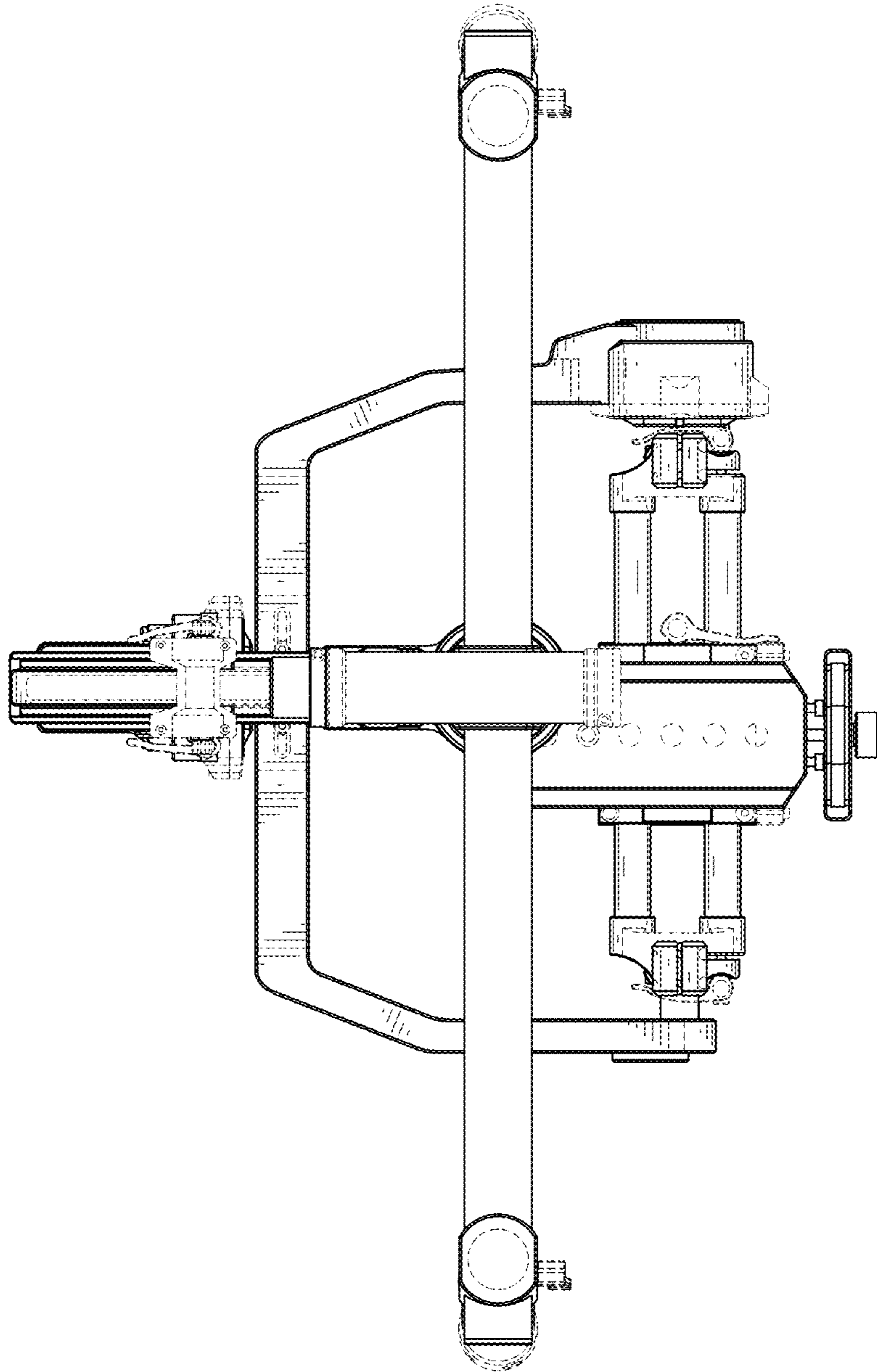


FIG. 6

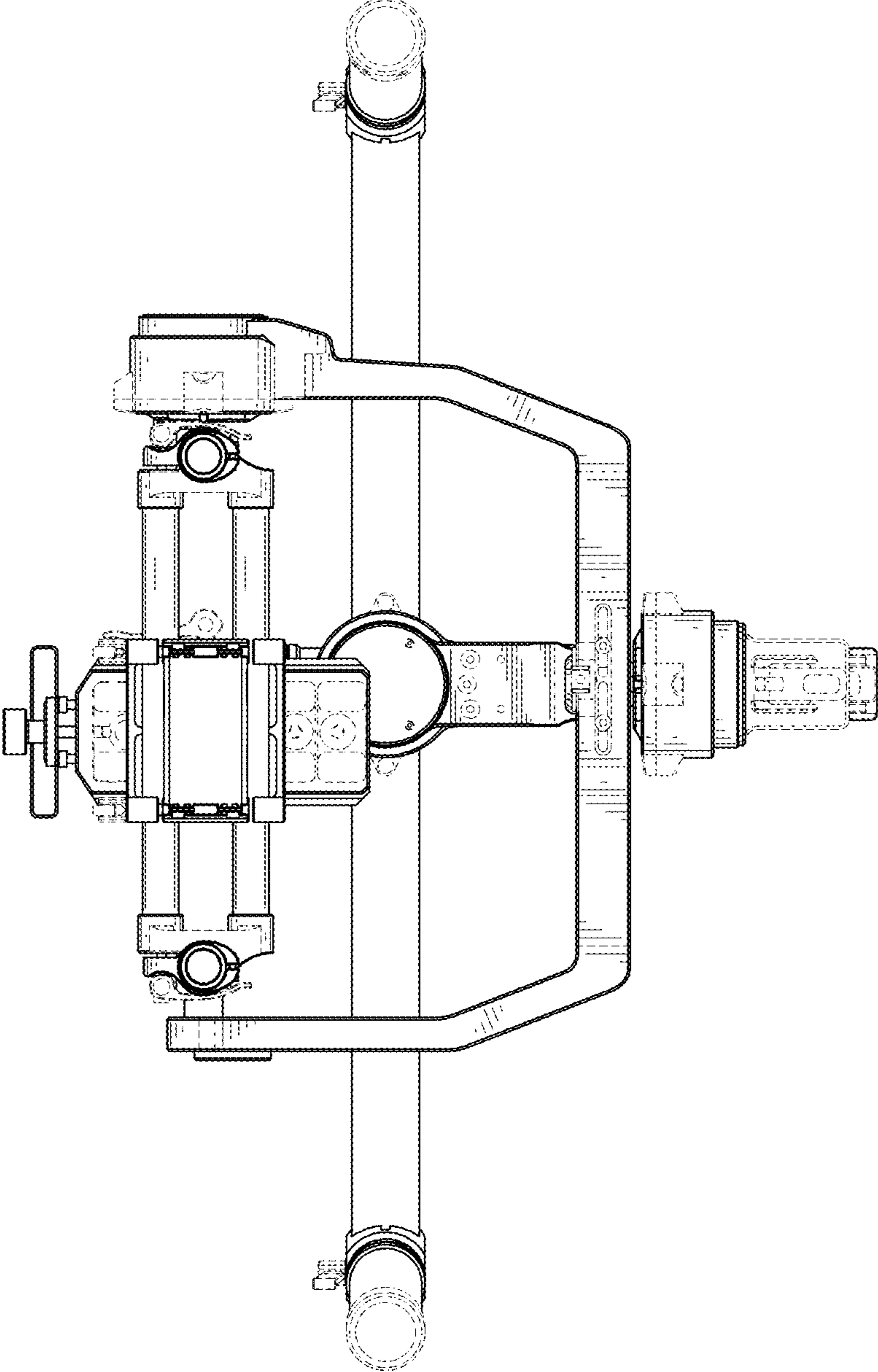


FIG. 7



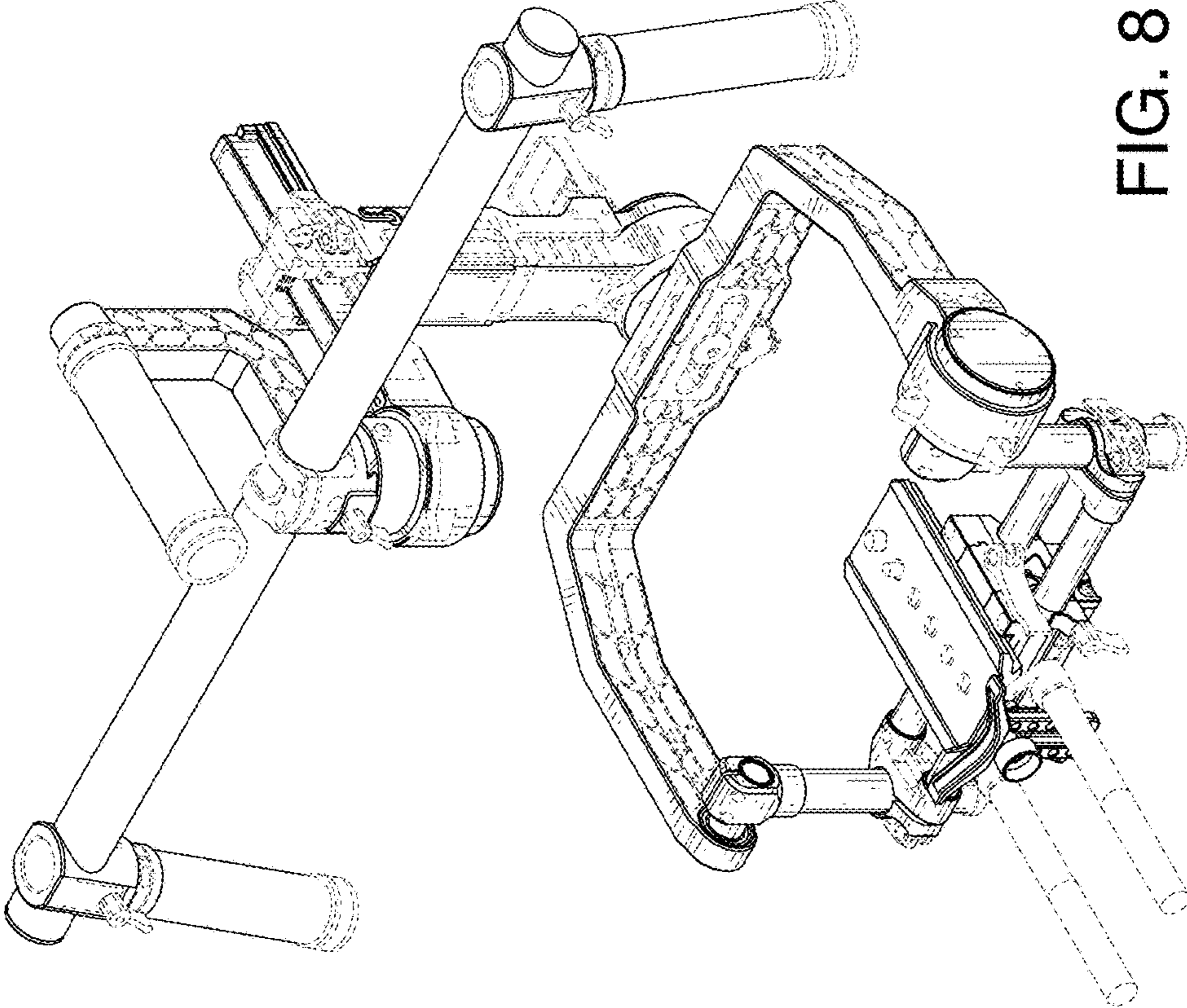


FIG. 8

UNITED STATES PATENT AND TRADEMARK OFFICE  
**CERTIFICATE OF CORRECTION**

PATENT NO. : D785,893 S  
APPLICATION NO. : 29/567823  
DATED : May 2, 2017  
INVENTOR(S) : Kim et al.

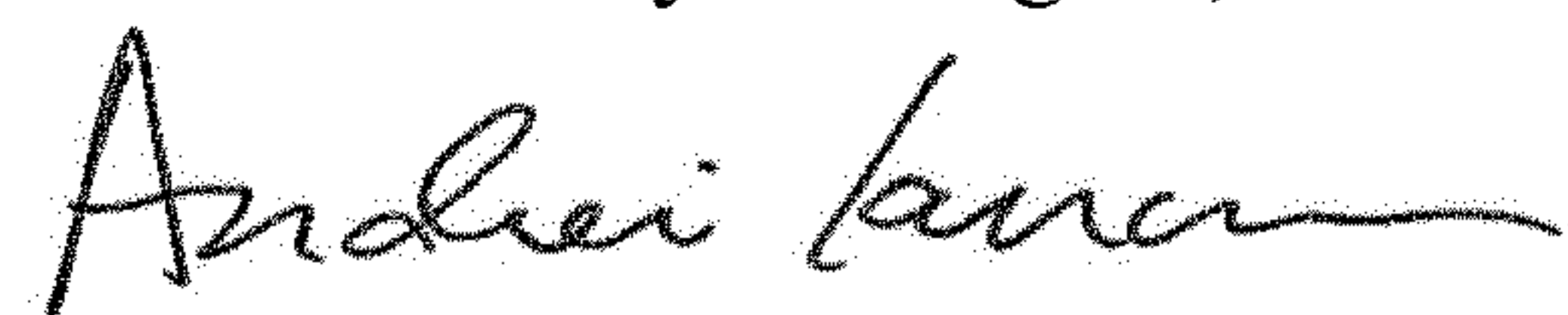
Page 1 of 1

It is certified that error appears in the above-identified patent and that said Letters Patent is hereby corrected as shown below:

On the Title Page

In the "Assignee" item (73), change the assignee from "SZ DJI Technology Co., Ltd." to  
--SZ DJI Osmo Technology Co., Ltd.--.

Signed and Sealed this  
Seventh Day of August, 2018



Andrei Iancu  
*Director of the United States Patent and Trademark Office*