



US00D785892S

(12) **United States Design Patent** (10) **Patent No.:** **US D785,892 S**
Lee (45) **Date of Patent:** **** May 2, 2017**

(54) **TRASH CONTAINER**
(71) Applicant: **JBL INTERNATIONAL, INC.**,
Houston, TX (US)
(72) Inventor: **Lawrence K. Lee**, Houston, TX (US)
(73) Assignee: **JBL INTERNATIONAL, INC.**,
Houston, TX (US)

D644,391 S * 8/2011 Kopp D34/7
D655,473 S * 3/2012 Moore D34/11
D762,936 S * 8/2016 Tuncel D34/7
D766,538 S * 9/2016 Thuma D34/7
2005/0016999 A1* 1/2005 Richardson B65F 1/02
220/4.28
2007/0138172 A1* 6/2007 Richardson B65F 1/02
220/4.01

(**) Term: **15 Years**

* cited by examiner

(21) Appl. No.: **29/546,294**

Primary Examiner — Cynthia Ramirez
Assistant Examiner — Gino Colan
(74) *Attorney, Agent, or Firm* — Egbert Law Offices,
PLLC

(22) Filed: **Nov. 20, 2015**

(51) **LOC (10) Cl.** **09-09**

(57) **CLAIM**

(52) **U.S. Cl.**
USPC **D34/7**

The ornamental design for a trash container, as shown and described.

(58) **Field of Classification Search**
USPC D34/1-11; 220/908-913, 264, 4.28, 263,
220/260, 4.32, 576
CPC B65F 1/06; B65F 1/1607; B65F 1/1615;
B65F 2250/11
See application file for complete search history.

DESCRIPTION

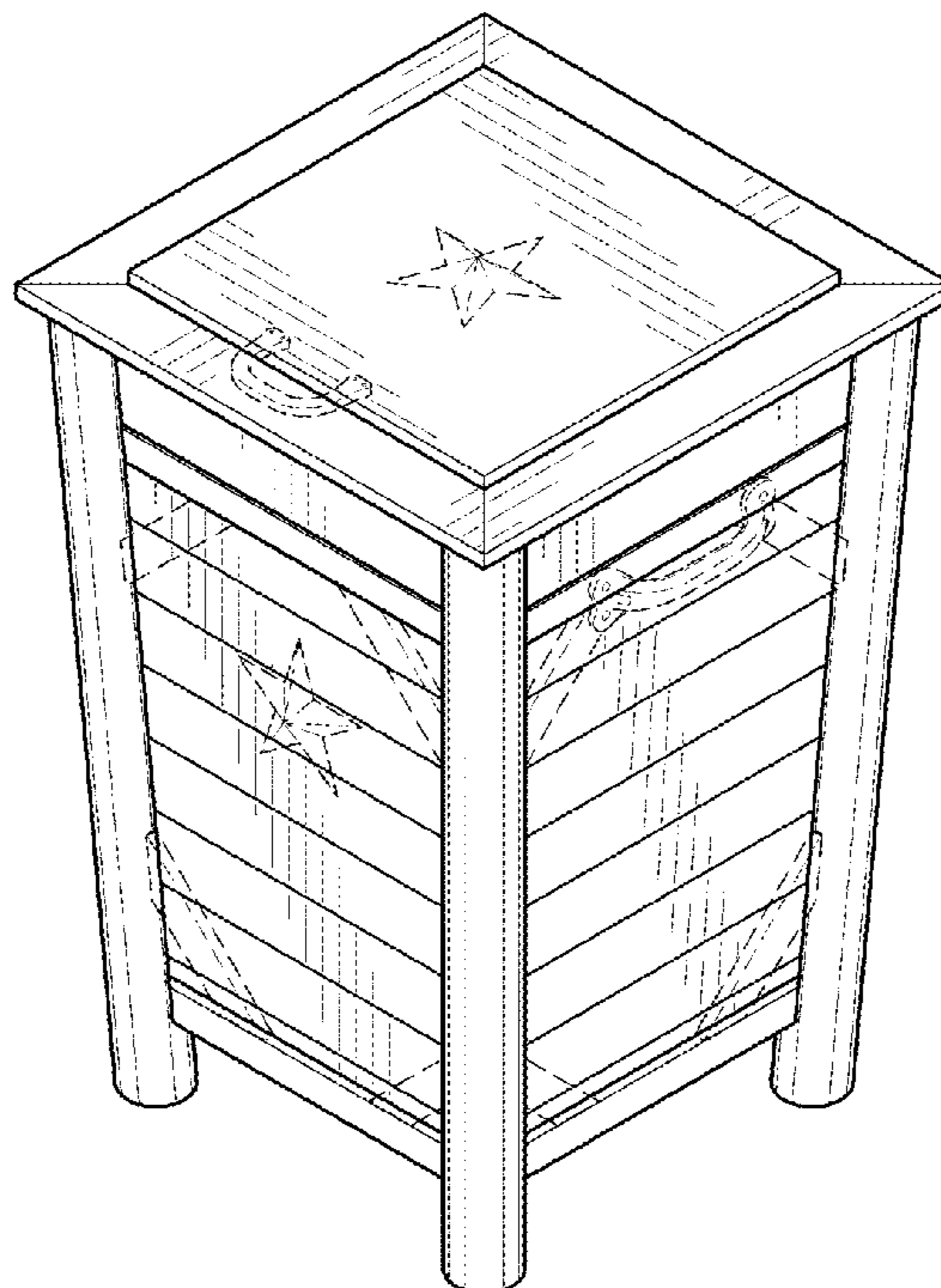
(56) **References Cited**

U.S. PATENT DOCUMENTS

D234,288 S * 2/1975 Kay D34/1
D507,687 S * 7/2005 Moon D34/1
7,073,677 B2 * 7/2006 Richardson B65F 1/02
220/4.32
D545,023 S * 6/2007 Weiss D34/1
D551,414 S * 9/2007 Weiss D34/1

FIG. 1 is a perspective view of a trash container showing my new design.
FIG. 2 is a front view thereof;
FIG. 3 is a rear view thereof;
FIG. 4 is a side view thereof;
FIG. 5 is an opposite side view thereof;
FIG. 6 is a top view thereof;
FIG. 7 is a bottom view thereof; and,
FIG. 8 is a perspective view of the trash container wherein the lid is removed.
The features presented in broken lines are for environmental purposes only and form no part of the claimed design.

1 Claim, 3 Drawing Sheets



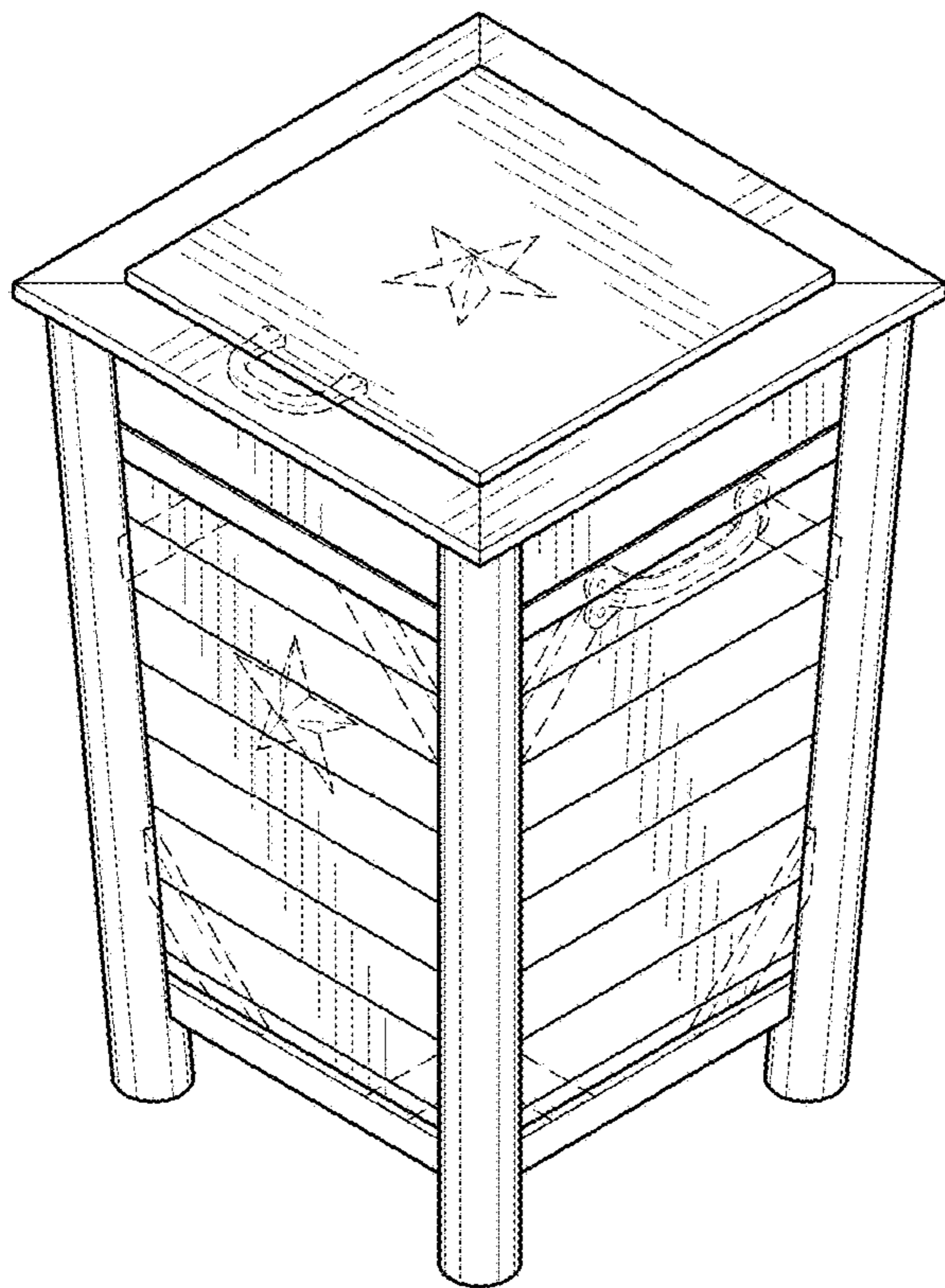


FIG. 1

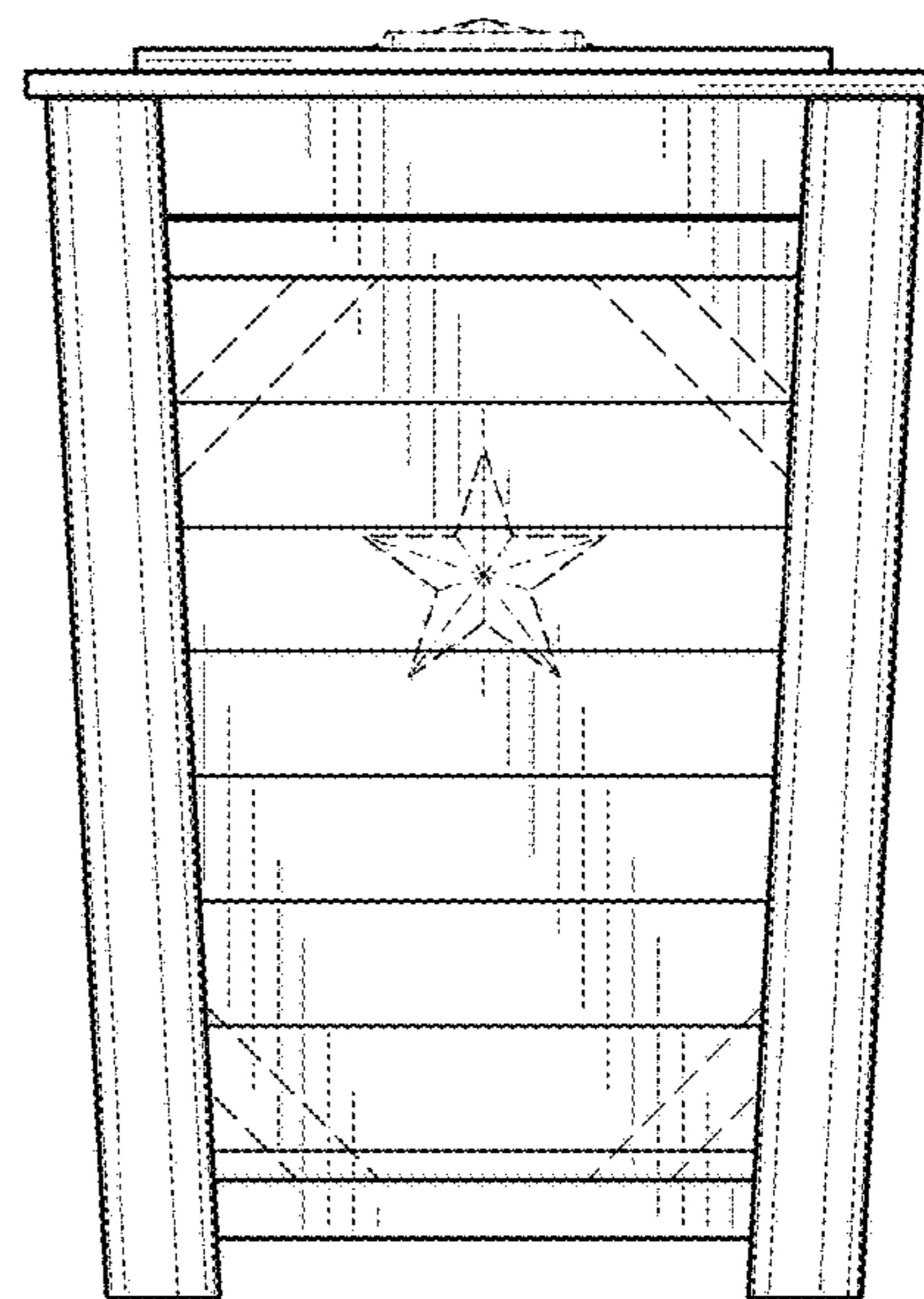


FIG. 2

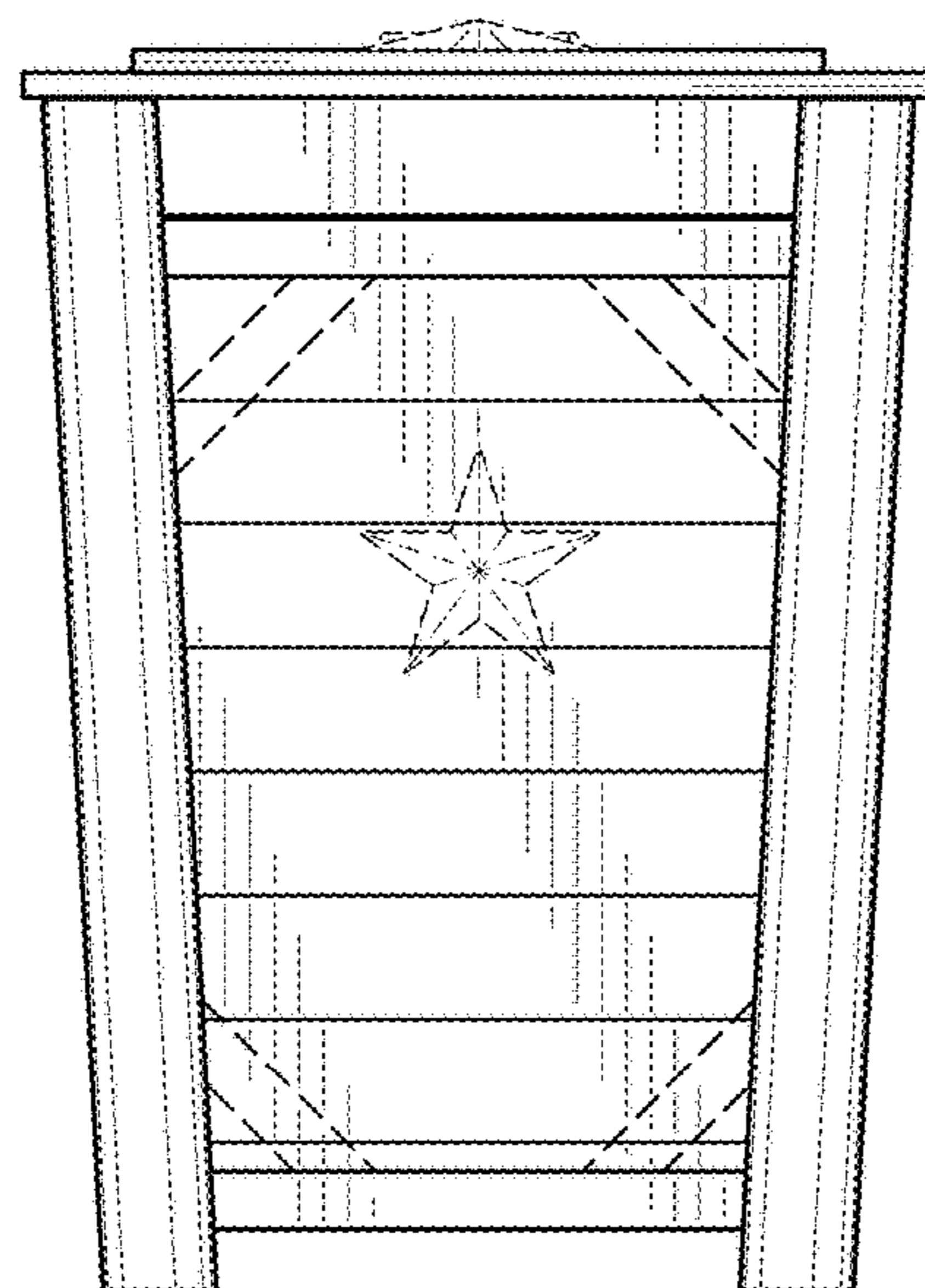


FIG. 3

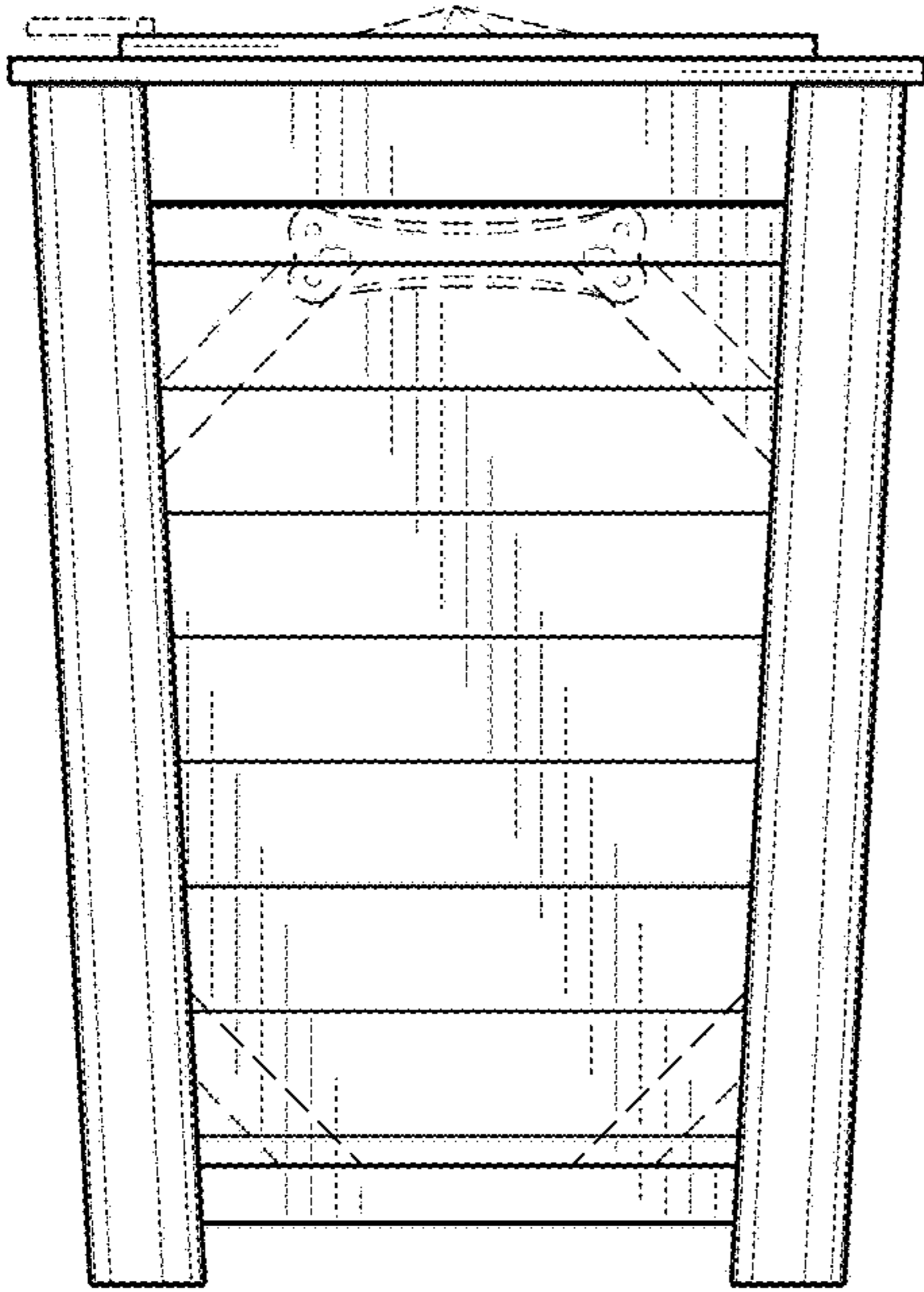


FIG. 4

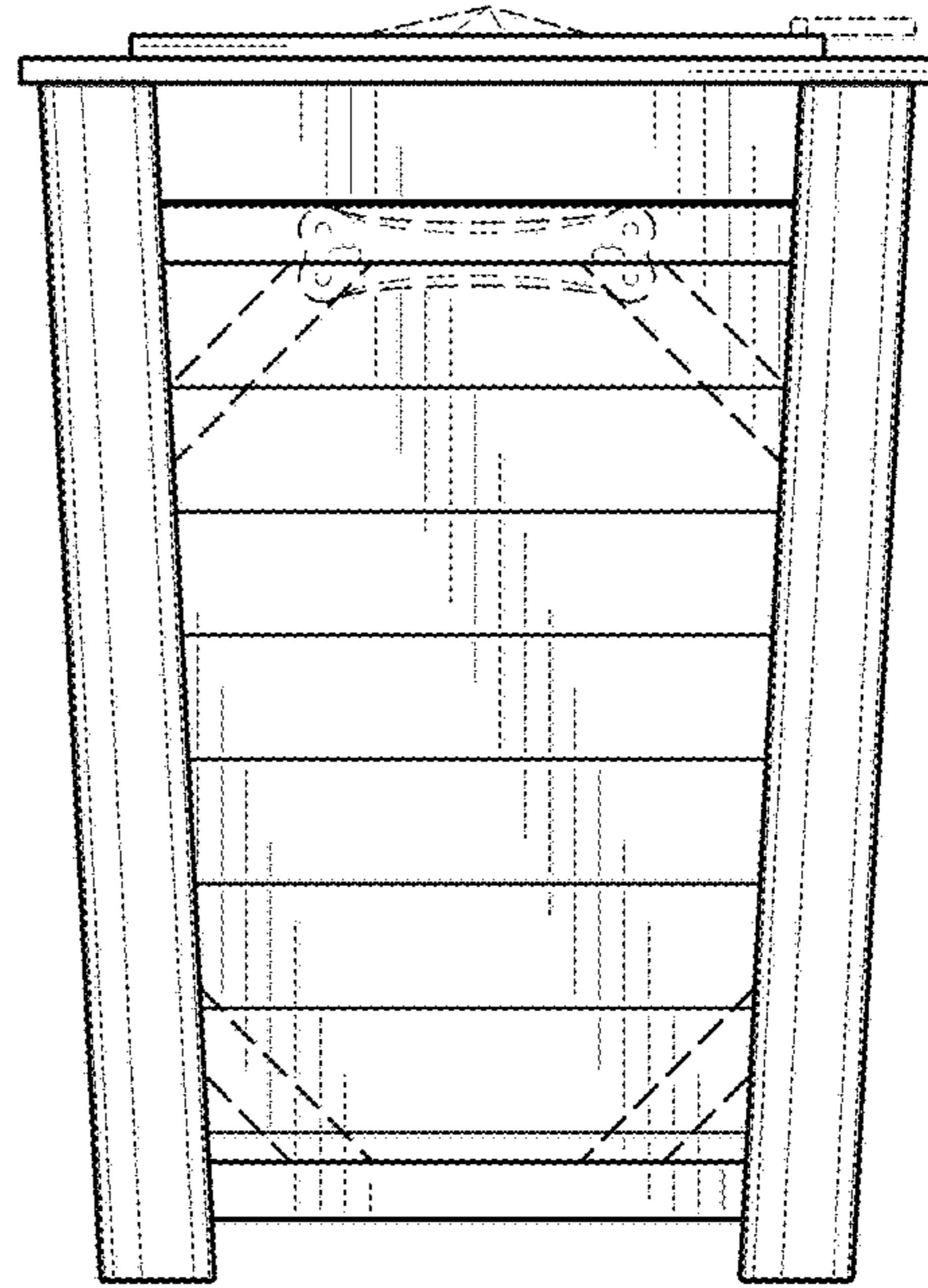


FIG. 5

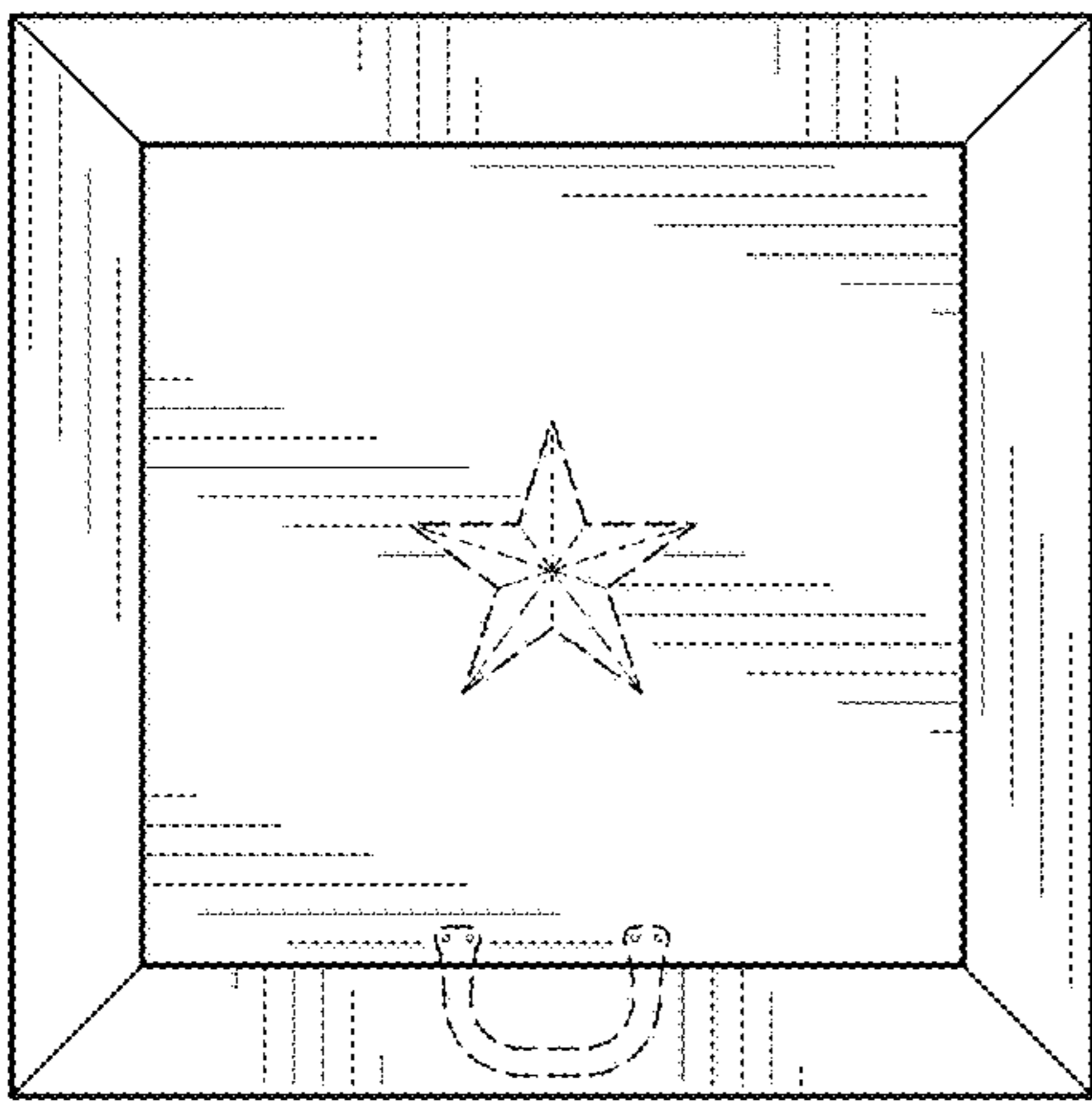


FIG. 6

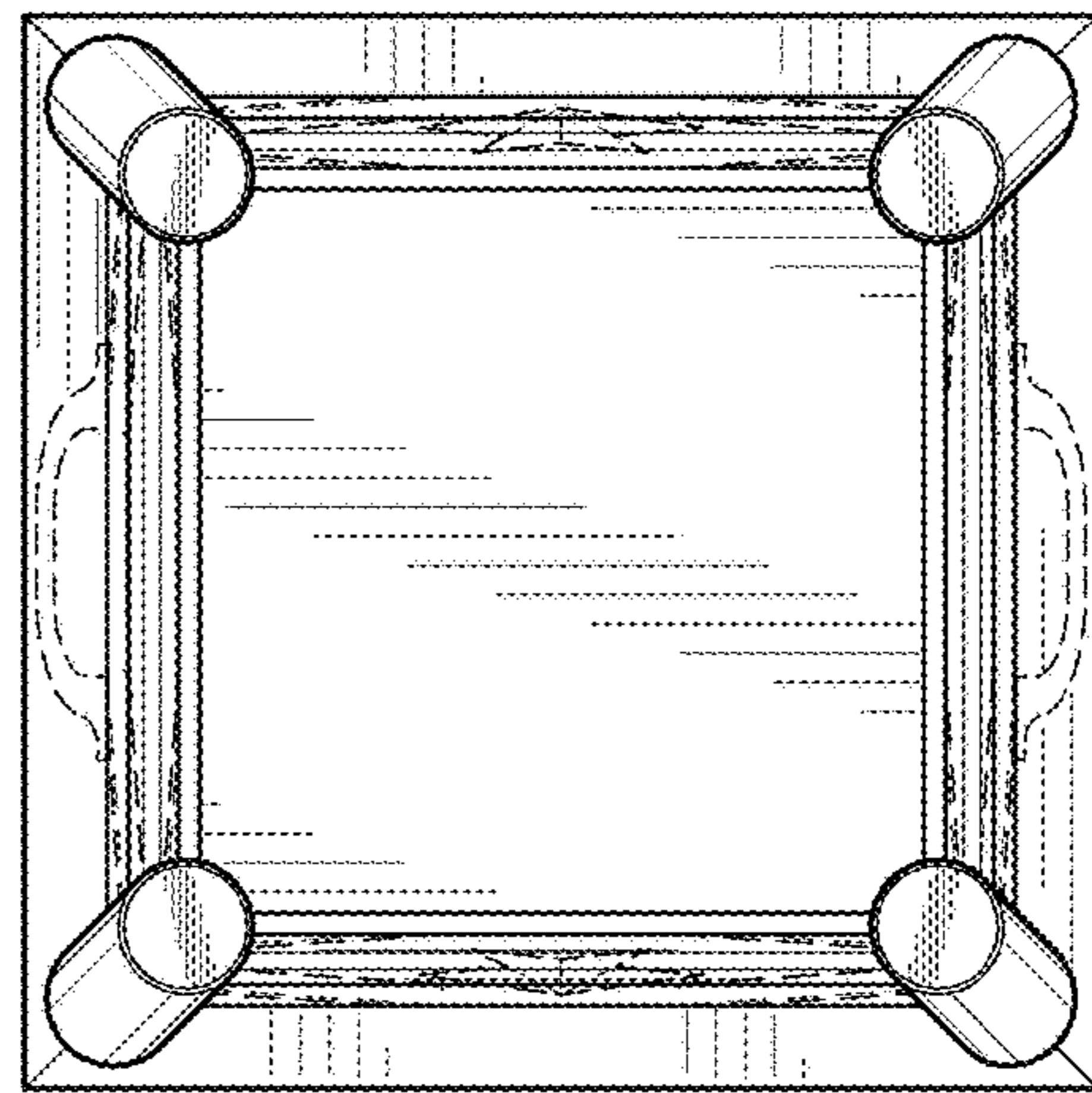


FIG. 7

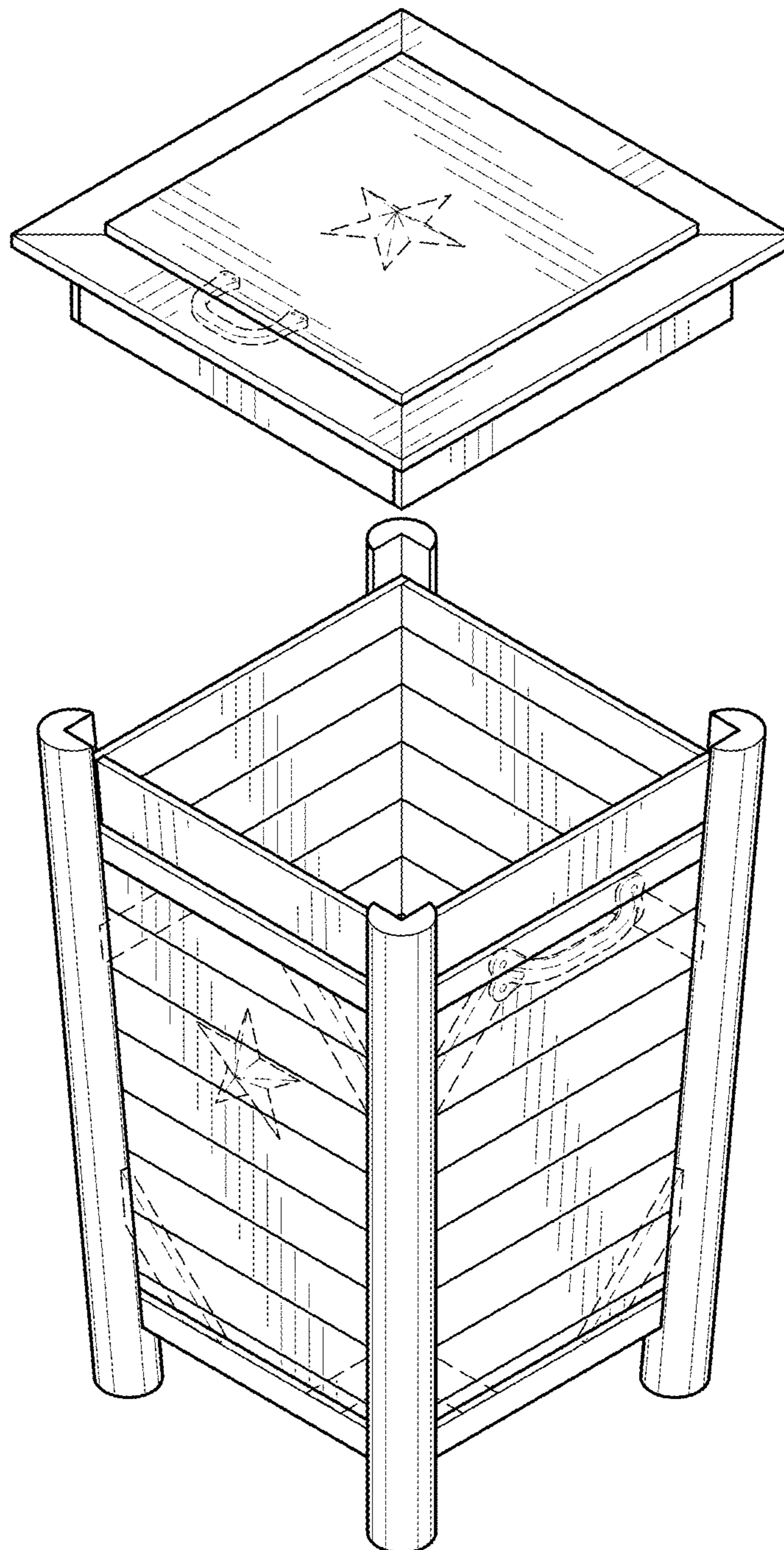


FIG. 8