



US00D785888S

(12) **United States Design Patent**  
**Hernandez**

(10) **Patent No.:** **US D785,888 S**

(45) **Date of Patent:** **\*\* May 2, 2017**

- (54) **PAINT PAN AND INSERT**
- (71) Applicant: **Felix Hernandez**, Von Ormy, TX (US)
- (72) Inventor: **Felix Hernandez**, Von Ormy, TX (US)
- (\*\*) Term: **15 Years**
- (21) Appl. No.: **29/555,392**
- (22) Filed: **Feb. 22, 2016**
- (51) **LOC (10) Cl.** ..... **07-07**
- (52) **U.S. Cl.**  
USPC ..... **D32/53.1**
- (58) **Field of Classification Search**  
USPC ..... D32/53, 53.1, 54; 220/495.01, 495.02,  
220/495.06, 570, 904; 15/257.05, 257.06,  
15/264, 262  
CPC ..... B65D 25/14; B65D 25/16; A47L 13/52;  
A47L 13/58; A47J 47/18; B44D 3/126  
See application file for complete search history.

D524,003	S	*	6/2006	Prokop	.....	D32/53.1
D524,501	S	*	7/2006	Prokop	.....	D32/53.1
7,137,168	B2		11/2006	Mann		
7,311,219	B1	*	12/2007	Kallas	.....	B44D 3/126 15/257.05
7,703,631	B2	*	4/2010	Chafe	.....	B44D 3/12 15/257.06
D627,120	S	*	11/2010	Davidson	.....	D32/53.1
7,900,313	B2	*	3/2011	Wren	.....	B44D 3/10 15/257.06
D654,644	S	*	2/2012	Davidson	.....	D32/53.1
8,281,952	B2		10/2012	Robellard et al.		
D684,329	S	*	6/2013	Church	.....	D32/53.1
D688,843	S	*	8/2013	Shea	.....	D32/53.1

(56) **References Cited**

U.S. PATENT DOCUMENTS

2,659,096	A		11/1953	Mencfeldowski, Jr.		
2,887,705	A	*	5/1959	Serwer	.....	B44D 3/126 15/257.06
2,911,663	A		11/1959	Geary		
3,044,096	A	*	7/1962	Englehart	.....	A47L 13/56 15/257.05
3,110,921	A		11/1963	Conner		
3,493,988	A		2/1970	Tidwell		
3,940,824	A	*	3/1976	Gioia	.....	B44D 3/126 15/257.06
D264,147	S		5/1982	Heath		
6,102,235	A	*	8/2000	Stern	.....	B44D 3/126 15/257.06

FOREIGN PATENT DOCUMENTS

WO WO2004065227 8/2004

\* cited by examiner

*Primary Examiner* — Robin V Webster

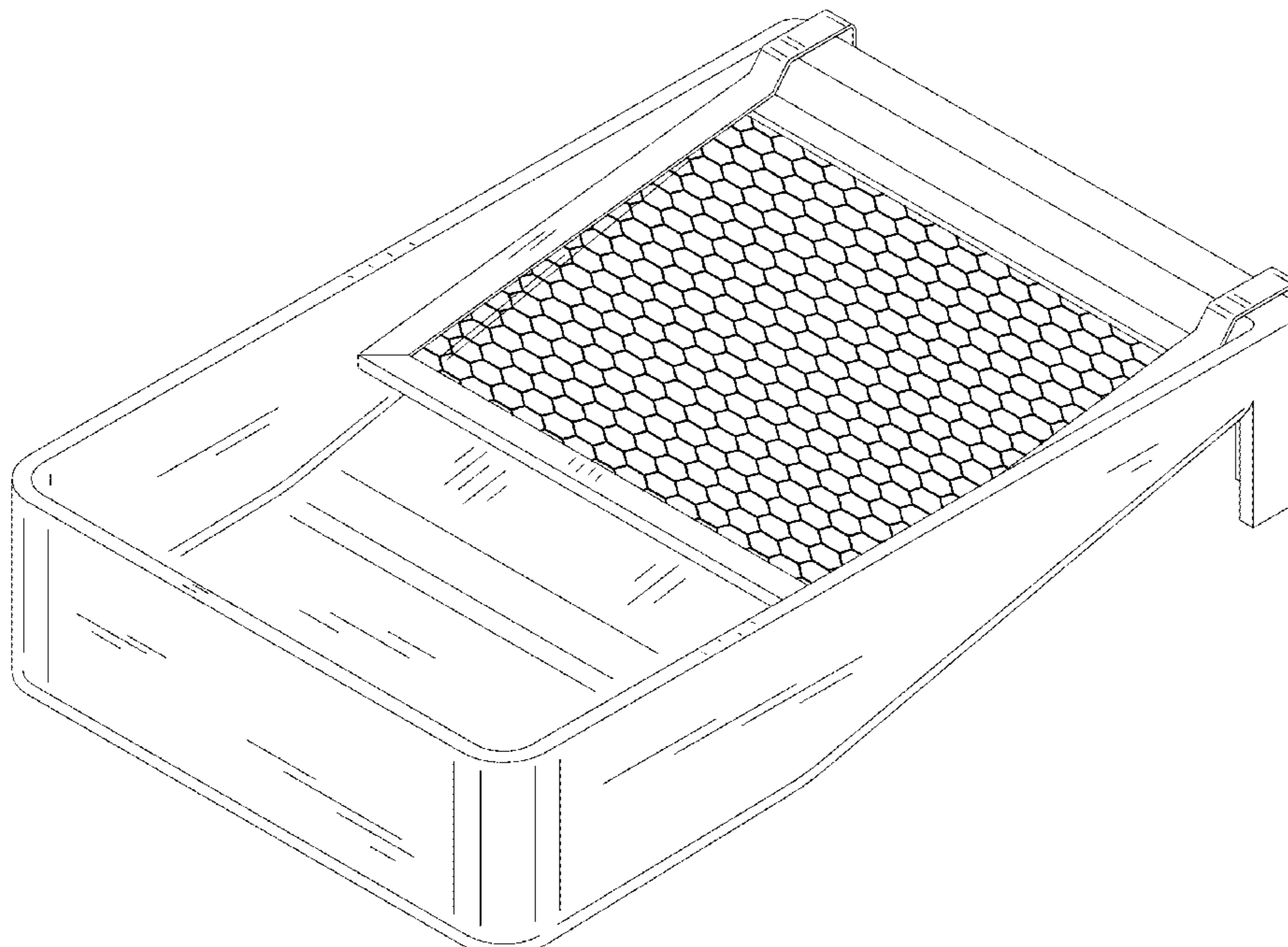
(57) **CLAIM**

The ornamental design for a paint pan and insert, as shown and described.

**DESCRIPTION**

FIG. 1 is a front view of a paint pan and insert showing my new design;  
 FIG. 2 is a rear view of the paint pan and insert;  
 FIG. 3 is a left side view of the paint pan and insert;  
 FIG. 4 is a right side view of the paint pan and insert;  
 FIG. 5 is a top view of the paint pan and insert, a bottom view being a mirror image thereof; and,  
 FIG. 6 is a top front side perspective view of the paint pan and insert.

**1 Claim, 5 Drawing Sheets**



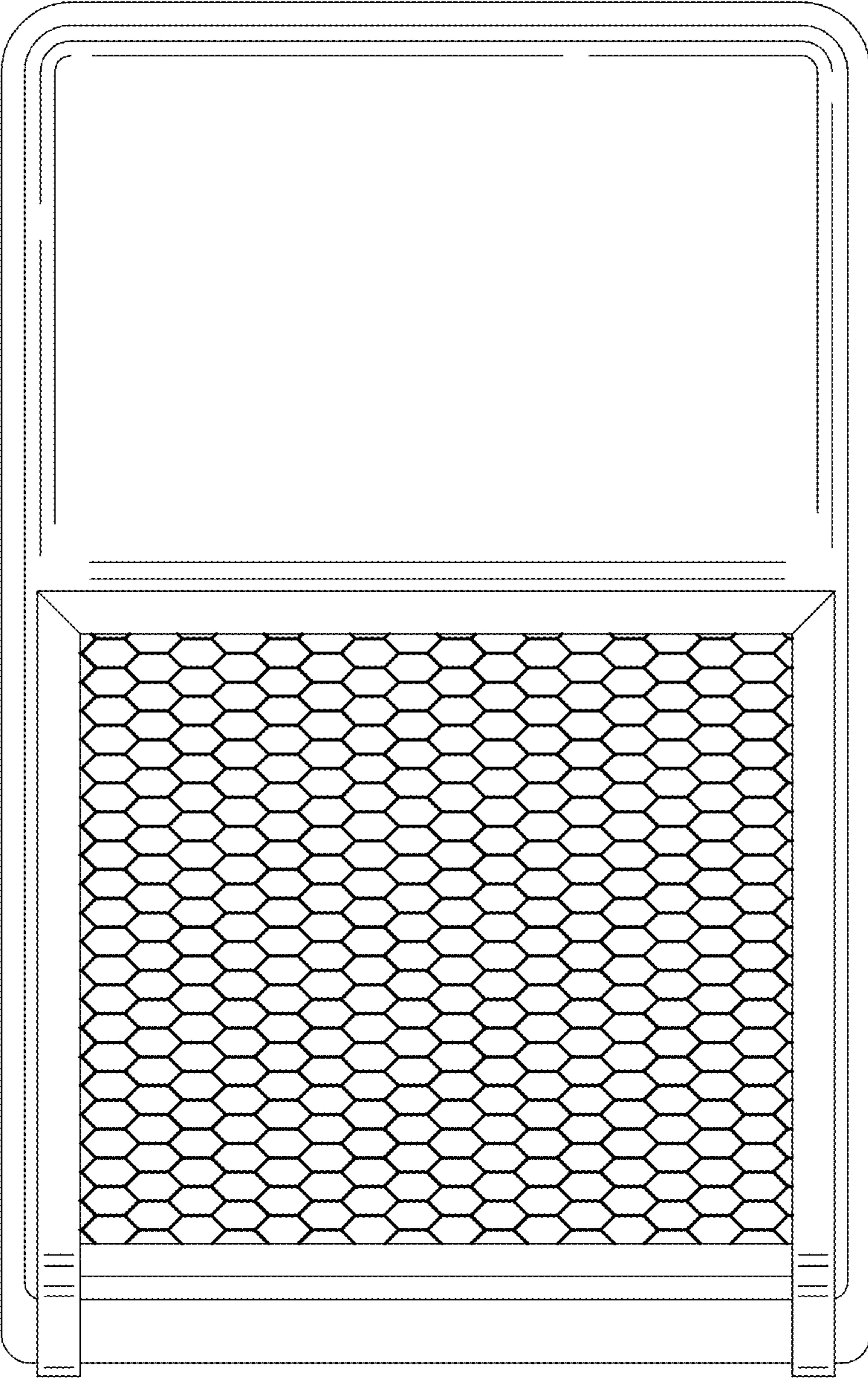


FIG. 1

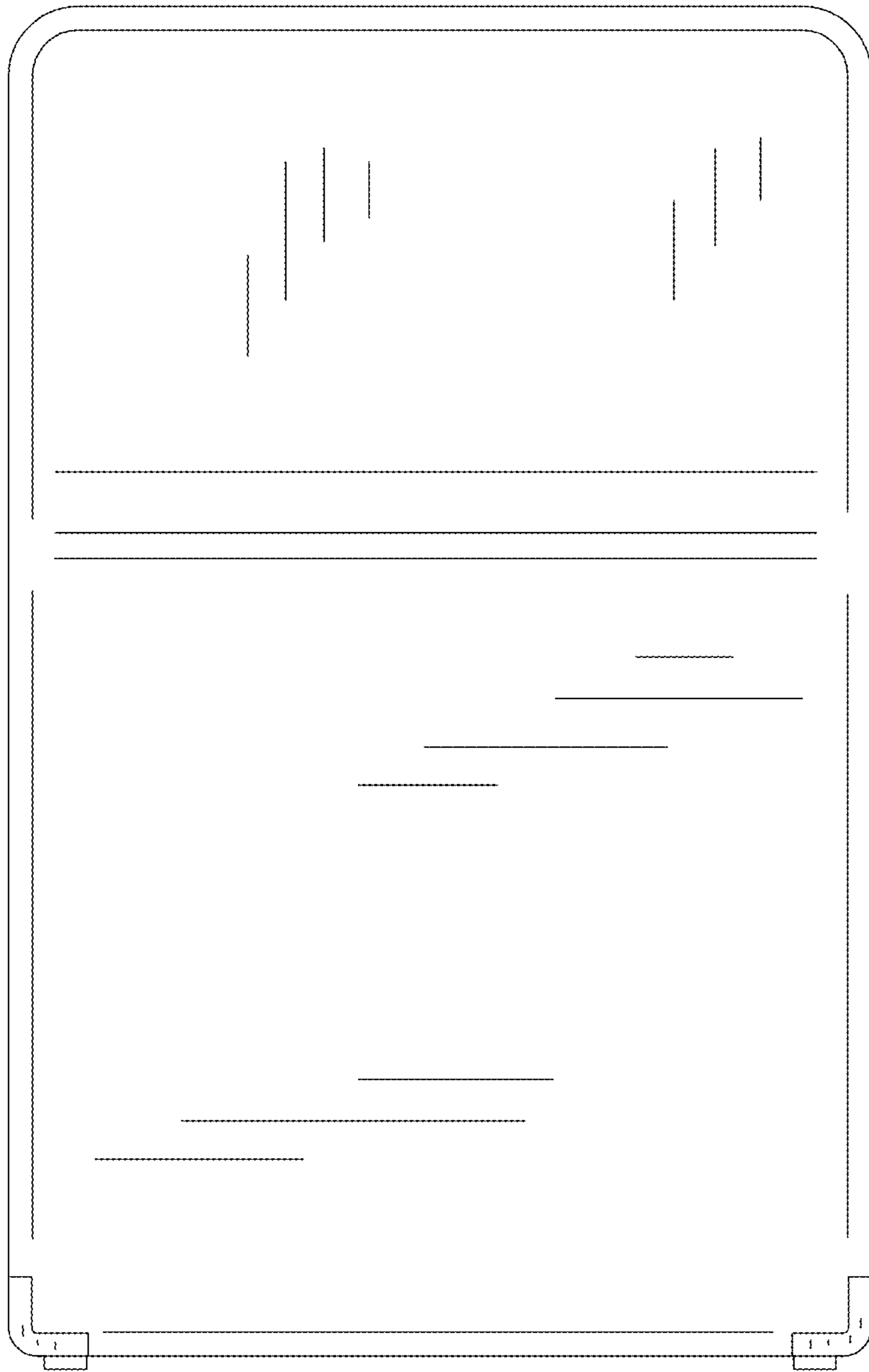


FIG. 2

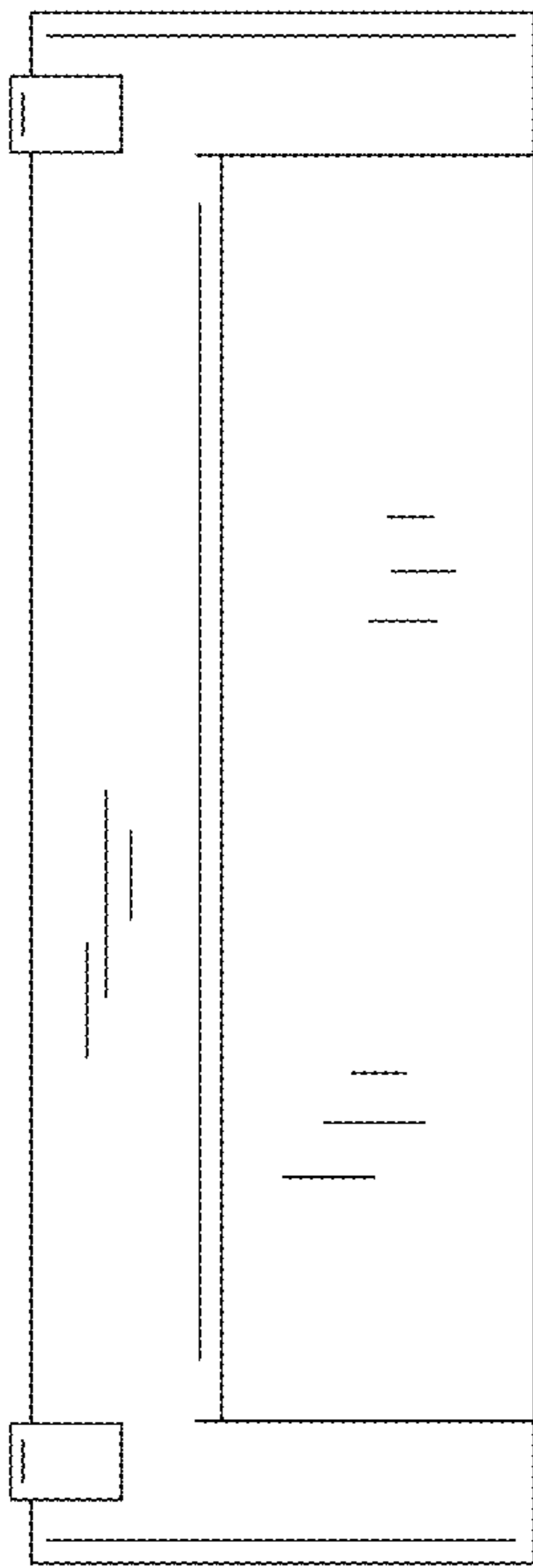


FIG. 3

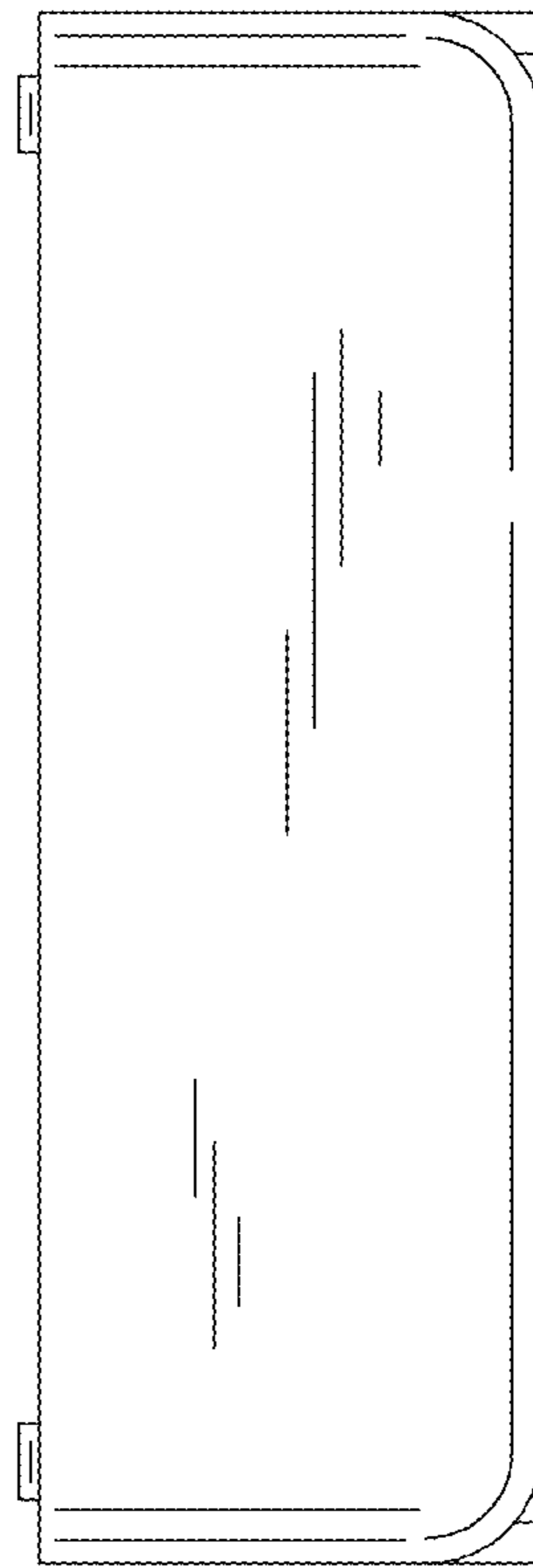


FIG. 4

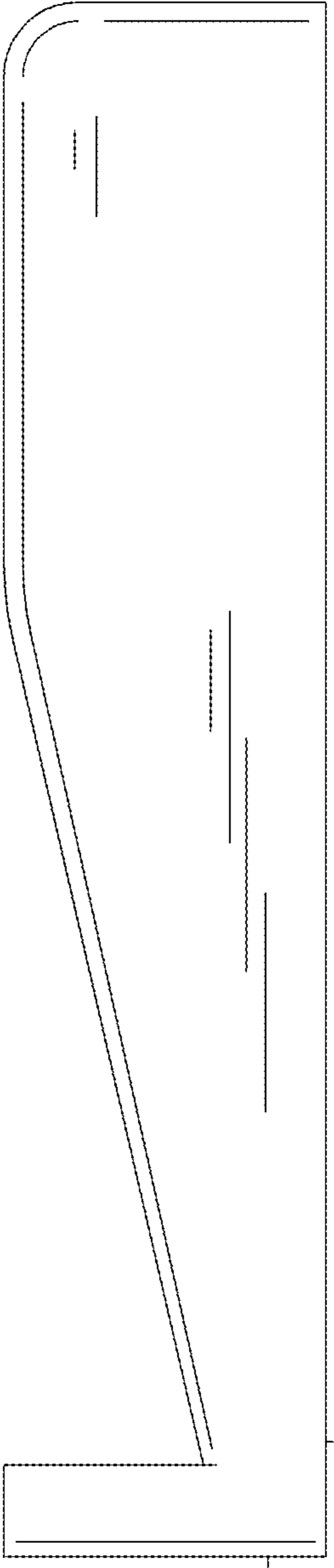


FIG. 5

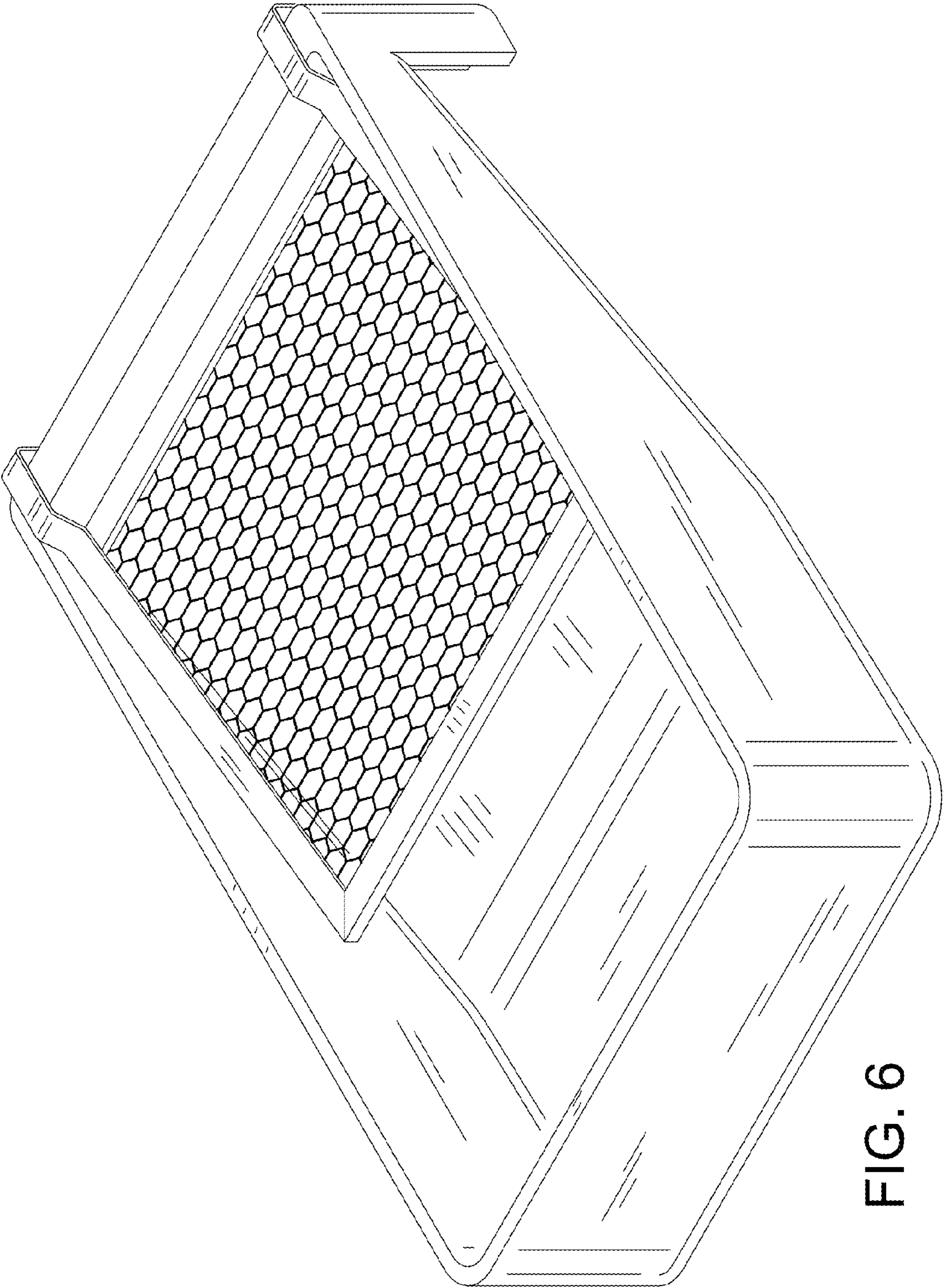


FIG. 6