



US00D785887S

(12) **United States Design Patent** (10) **Patent No.:** **US D785,887 S**
Bechtold, Jr. (45) **Date of Patent:** **** May 2, 2017**

(54) **FLEXIBLE REUSABLE BUCKET COVER**

D716,011 S * 10/2014 Jackson D32/53
D726,984 S * 4/2015 Lewison D32/53
D729,477 S * 5/2015 Abuzarifah D32/53
D745,762 S * 12/2015 Abuzarifah D32/53

(71) Applicant: **Joseph A Bechtold, Jr.**, Shaker Heights, OH (US)

* cited by examiner

(72) Inventor: **Joseph A Bechtold, Jr.**, Shaker Heights, OH (US)

Primary Examiner — Robin V Webster
(74) *Attorney, Agent, or Firm* — David A. Burge

(**) Term: **15 Years**

(57) **CLAIM**

(21) Appl. No.: **29/505,979**

I claim the ornamental design for a flexible reusable bucket cover, as shown and described.

(22) Filed: **May 10, 2016**

DESCRIPTION

(51) **LOC (10) Cl.** **07-07**

FIG. 1 is a perspective view showing mainly front, left side and top portions of my new design;

(52) **U.S. Cl.**
USPC **D32/53**

FIG. 2 is a front view thereof;

(58) **Field of Classification Search**
USPC D32/53, 53.1, 54; 220/570, 904;
15/260–264

FIG. 3 is a rear view thereof;

CPC A47L 13/142; A47L 13/58
See application file for complete search history.

FIG. 4 is a left side view thereof, it being understood that a right side view is identical hereto but a left-to-right reverse image thereof;

(56) **References Cited**

FIG. 5 is a top view thereof; and,

U.S. PATENT DOCUMENTS

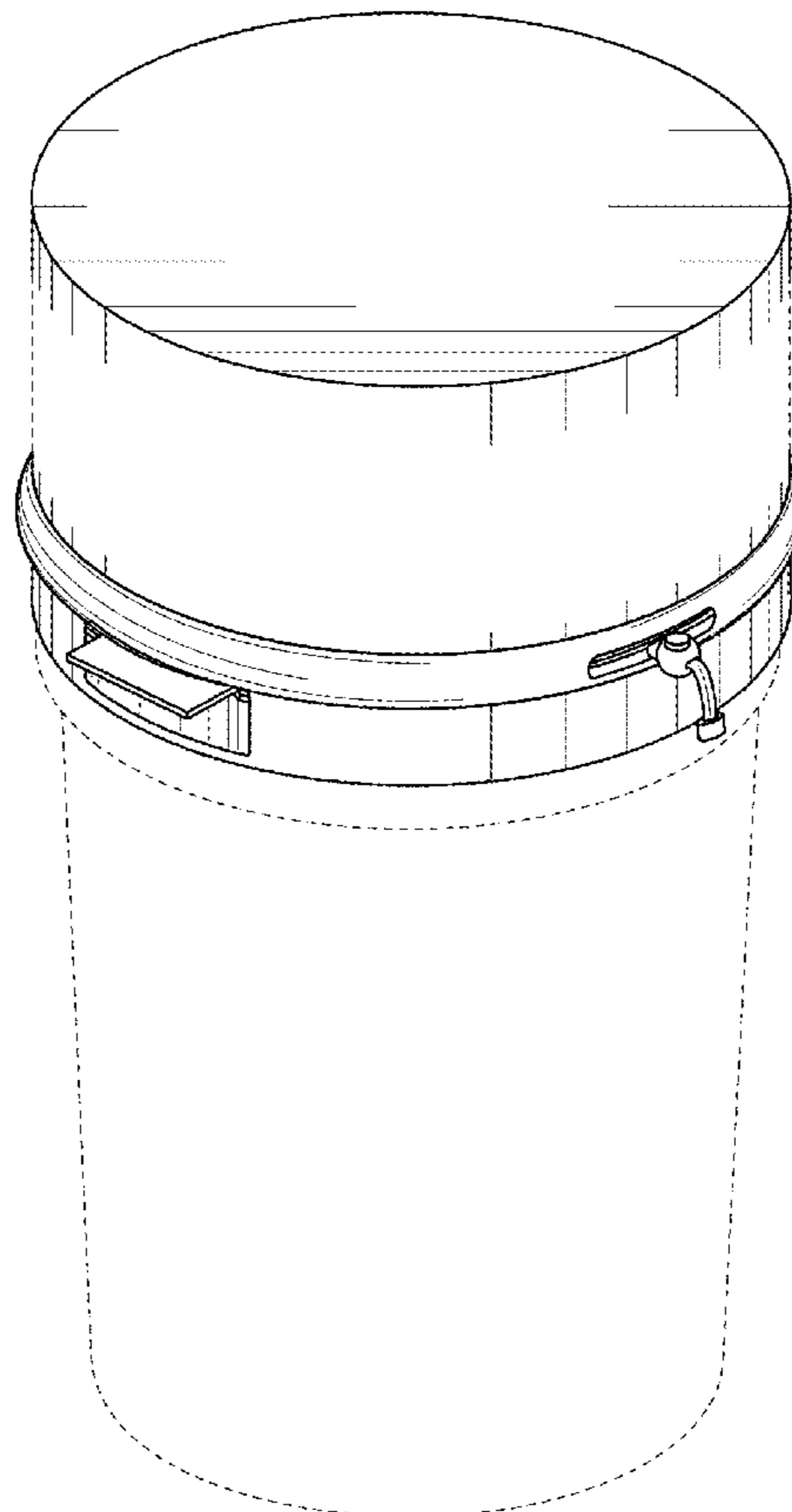
D222,981 S * 2/1972 Yates D32/53
D313,462 S * 1/1991 Hart D23/225
D504,987 S * 5/2005 Morris, Sr. D32/53
D595,913 S * 7/2009 Traxler D32/54
D634,908 S * 3/2011 Lortscher D22/136

FIG. 6 is a bottom view thereof, with broken lines depicting interior portions that form no part of the claimed design.

The design consists of uppermost and lowermost portions of the flexible reusable bucket cover as depicted by solid lines in the accompanying drawings.

The broken line showing of a portion of the top cover and bottom portion of the bucket is included for the purpose of illustrating and forms no part of the claimed design.

1 Claim, 5 Drawing Sheets



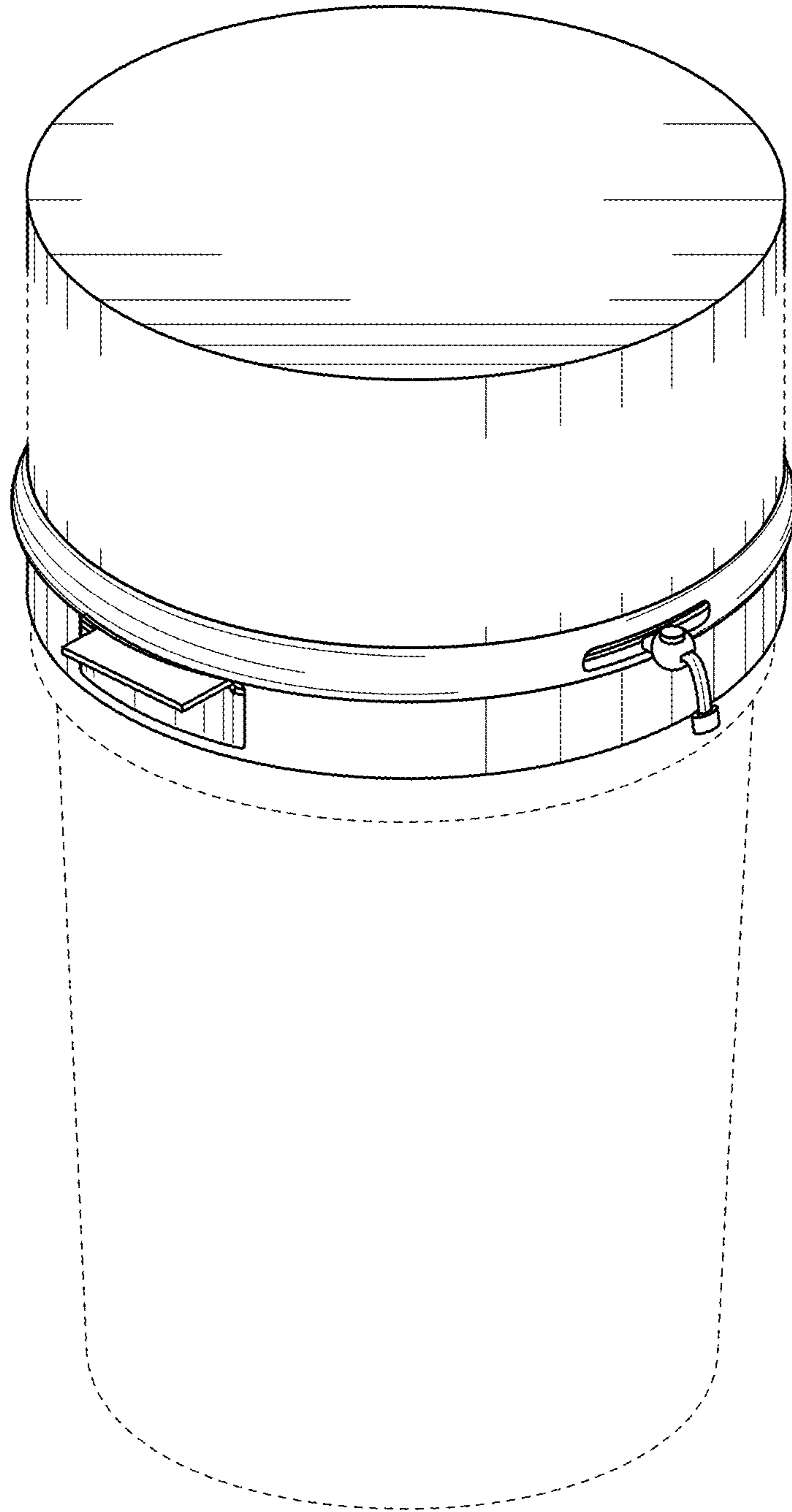


FIG. 1

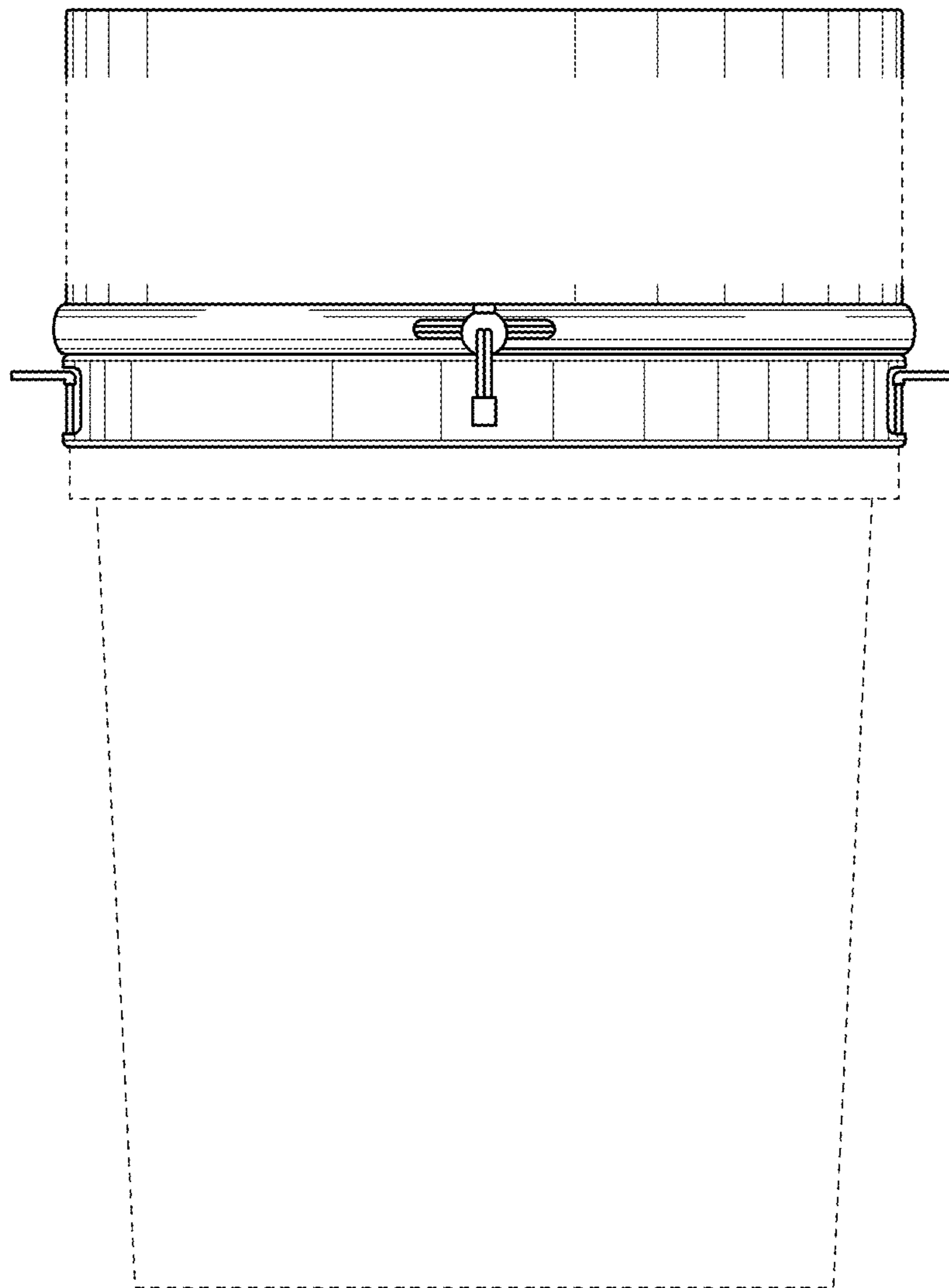


FIG. 2

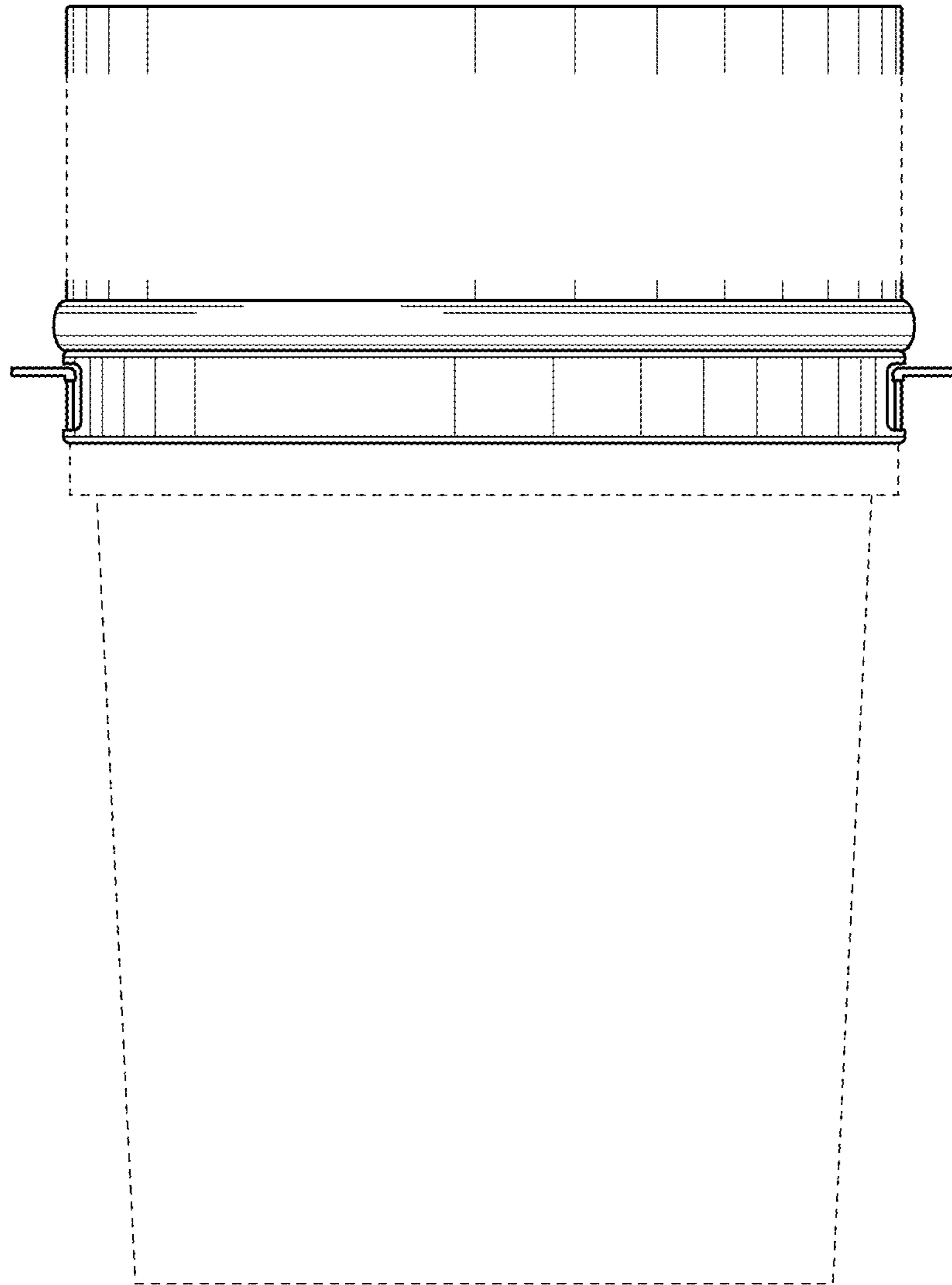


FIG. 3

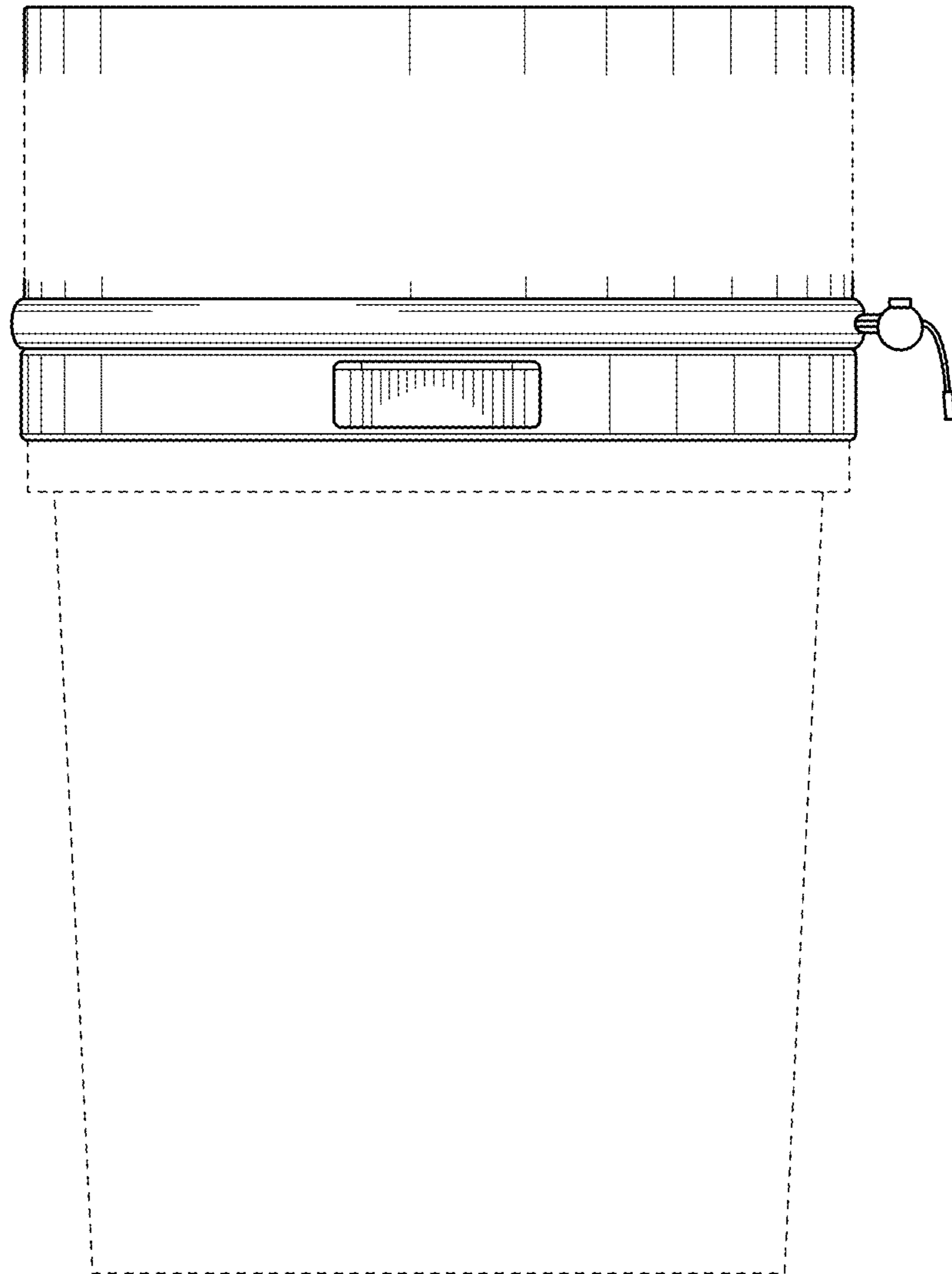


FIG. 4

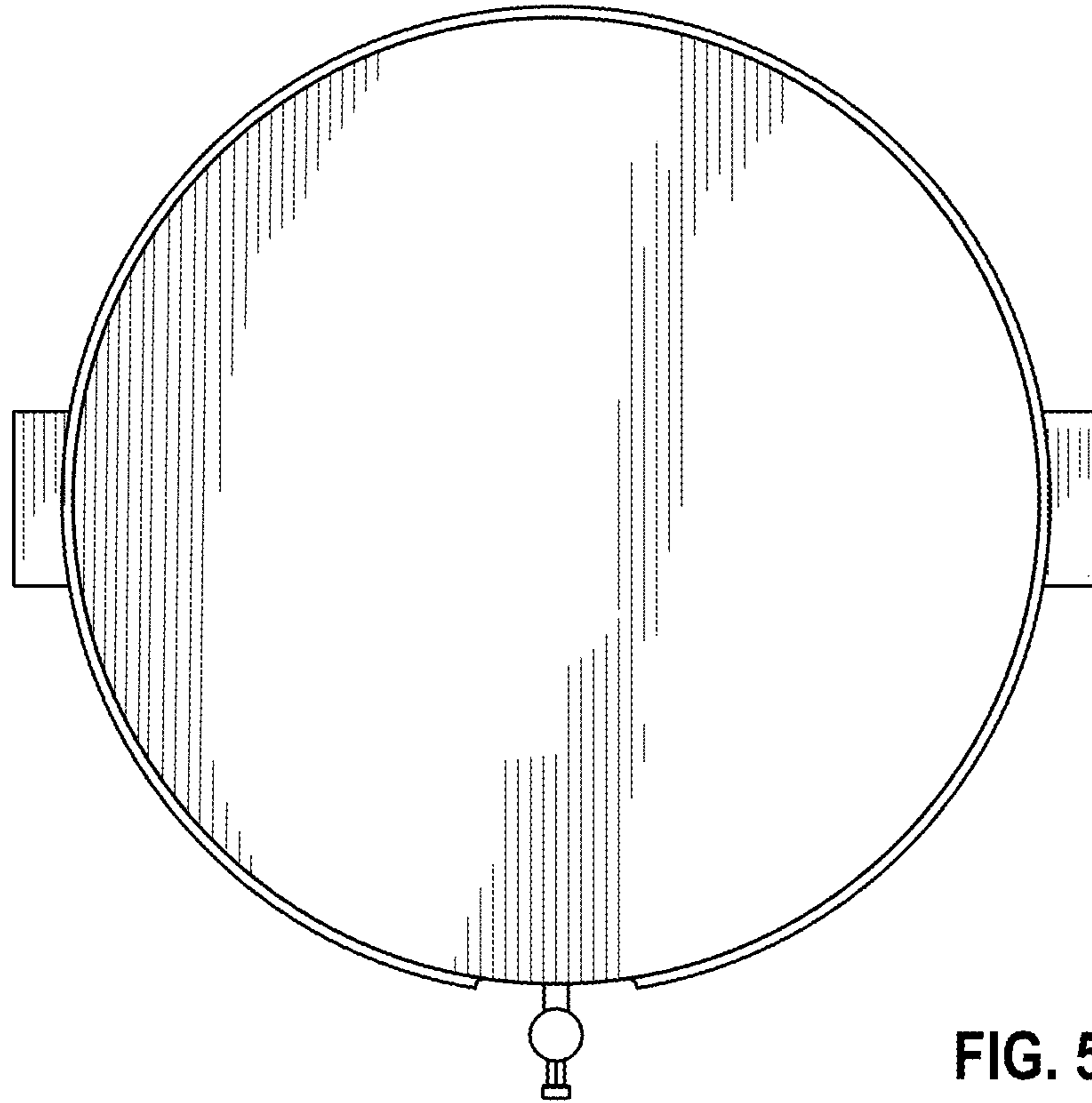


FIG. 5

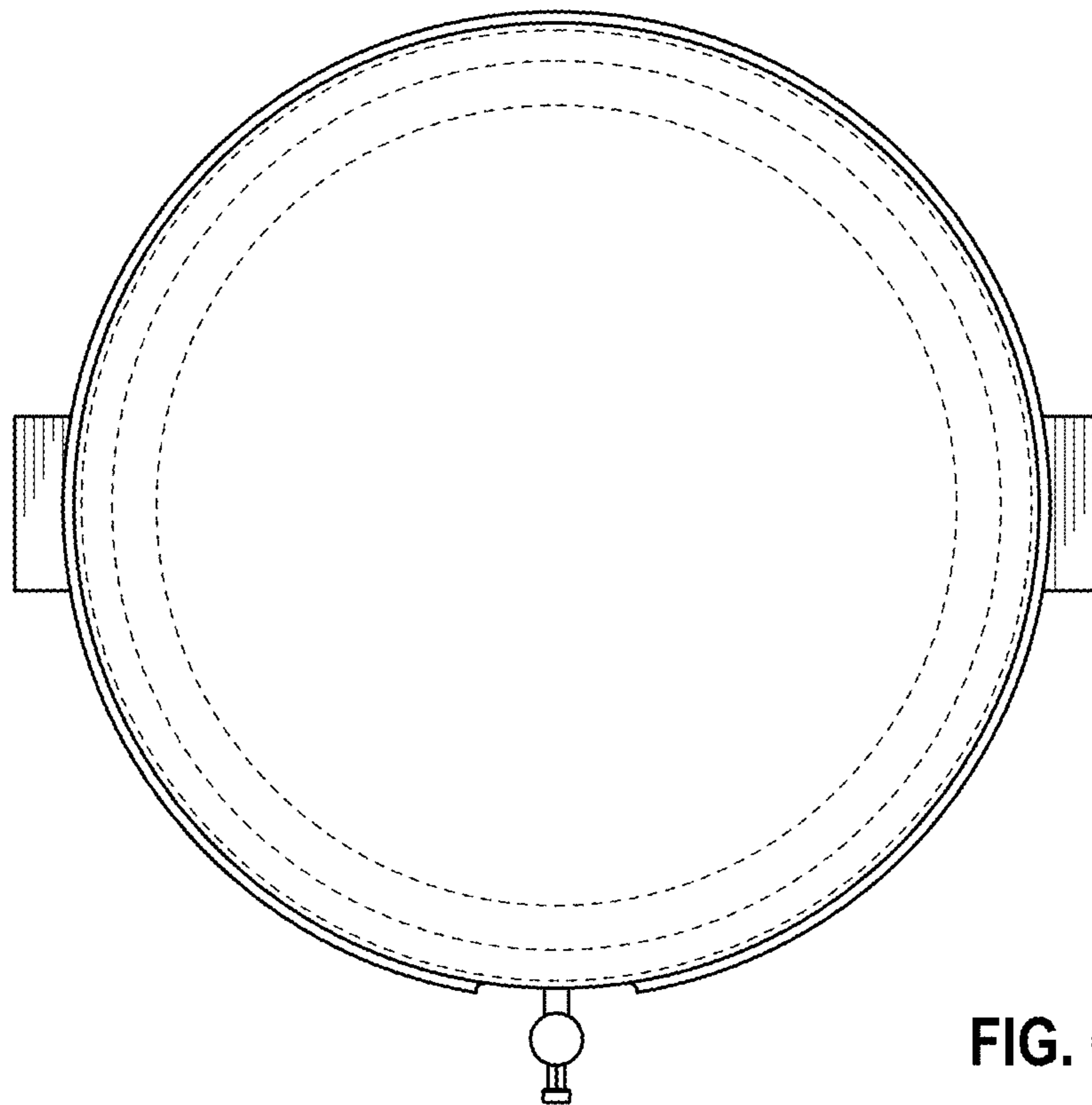


FIG. 6