



US00D785884S

(12) **United States Design Patent**
LaBarbera et al.

(10) **Patent No.:** **US D785,884 S**

(45) **Date of Patent:** **** May 2, 2017**

(54) **CLEANING ATTACHMENT**

(71) Applicants: **John LaBarbera**, Poway, CA (US);
Vincent LaBarbera, Poway, CA (US)

(72) Inventors: **John LaBarbera**, Poway, CA (US);
Vincent LaBarbera, Poway, CA (US)

(73) Assignee: **MYTEE PRODUCTS, INC.**, Poway,
CA (US)

(**) Term: **15 Years**

(21) Appl. No.: **29/538,423**

(22) Filed: **Sep. 3, 2015**

(51) **LOC (10) Cl.** **15-05**

(52) **U.S. Cl.**
USPC **D32/32**

(58) **Field of Classification Search**
USPC D32/31-33, 17, 25, 19-20
CPC .. D06F 87/00; A47L 5/24; A47L 11/34; A47L
11/4044; A47L 11/4086; A47L 9/02;
A47L 9/0461; A47L 9/0693; A47L 9/06;
A47L 7/009; A47L 5/30; A47L 11/4041;
E01H 1/053

See application file for complete search history.

(56) **References Cited**

U.S. PATENT DOCUMENTS

D188,653 S *	8/1960	Hulsh	D32/25
D209,735 S *	1/1968	Smith	D32/25
3,820,189 A *	6/1974	Roth	A47L 9/02
				15/400
D381,139 S *	7/1997	Johnson	D32/19
D393,113 S *	3/1998	Essex	D32/31
D442,288 S *	5/2001	Bloor	D32/19
D480,186 S *	9/2003	Morgan	D32/25

D498,028 S *	11/2004	Alsrue	D32/25
D520,202 S *	5/2006	Dyson	D32/33
7,631,386 B1 *	12/2009	Santiago	A46B 9/02
				15/22.1
D750,858 S *	3/2016	Aramli	D23/213
2007/0266519 A1 *	11/2007	Kostreba	A46B 13/008
				15/321
2010/0037425 A1 *	2/2010	Genn	A47L 9/02
				15/414

* cited by examiner

Primary Examiner — Ruth McNroy

(74) *Attorney, Agent, or Firm* — Themis Law

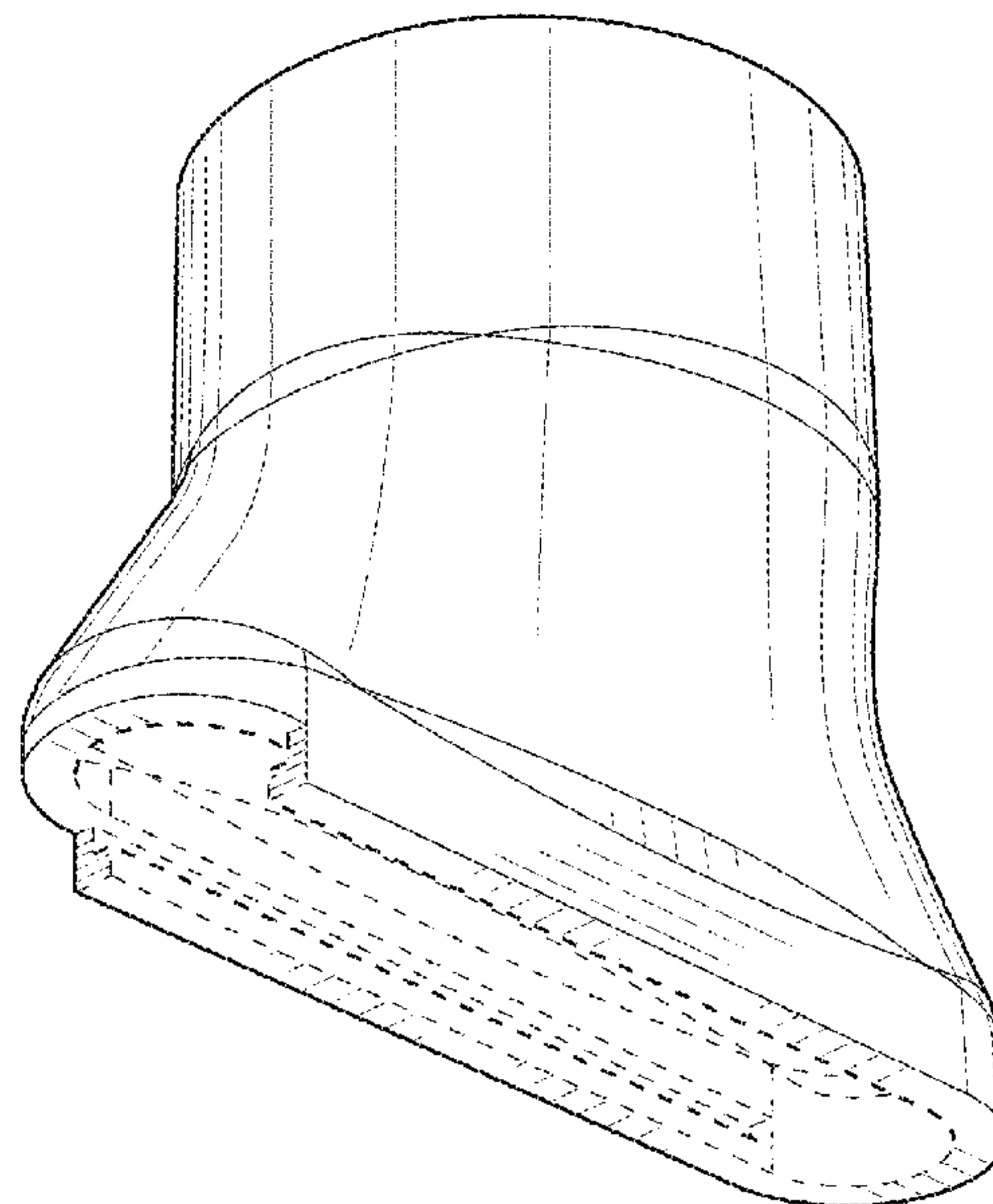
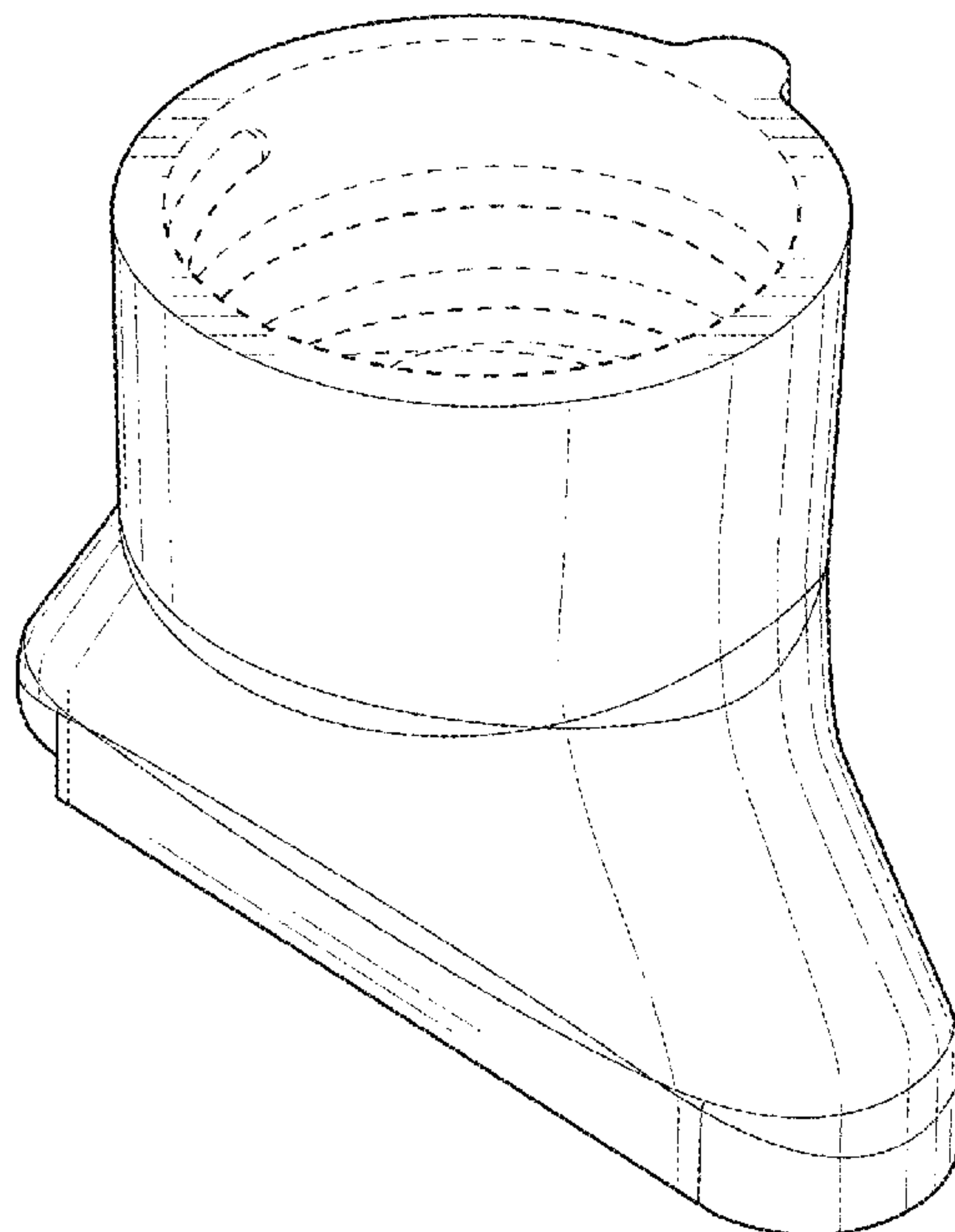
(57) **CLAIM**

The ornamental design for a cleaning attachment, as shown and described.

DESCRIPTION

FIG. 1 is a top perspective view of a cleaning attachment showing our new design;
 FIG. 2 is a bottom perspective view thereof;
 FIG. 3 is a front elevational view thereof;
 FIG. 4 is a rear elevational view thereof;
 FIG. 5 is a right side elevational view thereof;
 FIG. 6 is a left side elevational view thereof;
 FIG. 7 is a top plan view thereof;
 FIG. 8 is a bottom plan view thereof;
 FIG. 9 is a right side perspective view thereof in an example of use, with a floor contacting member attached thereto; and,
 FIG. 10 is a bottom perspective and exploded view thereof as in the example of use shown in FIG. 9.
 The elements shown in broken lines are for illustrative purposes only and form no part of the claimed design.

1 Claim, 10 Drawing Sheets



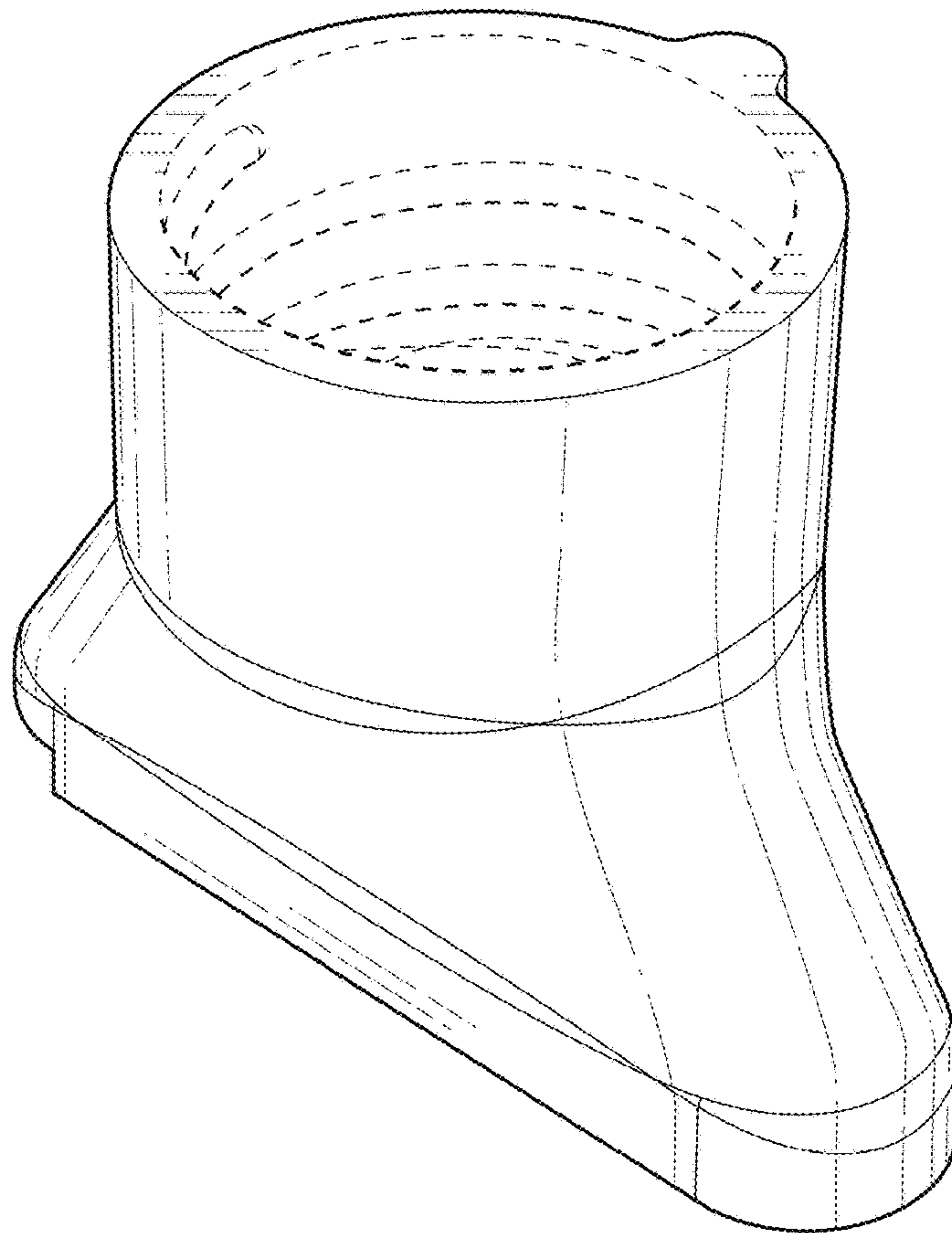


FIG. 1

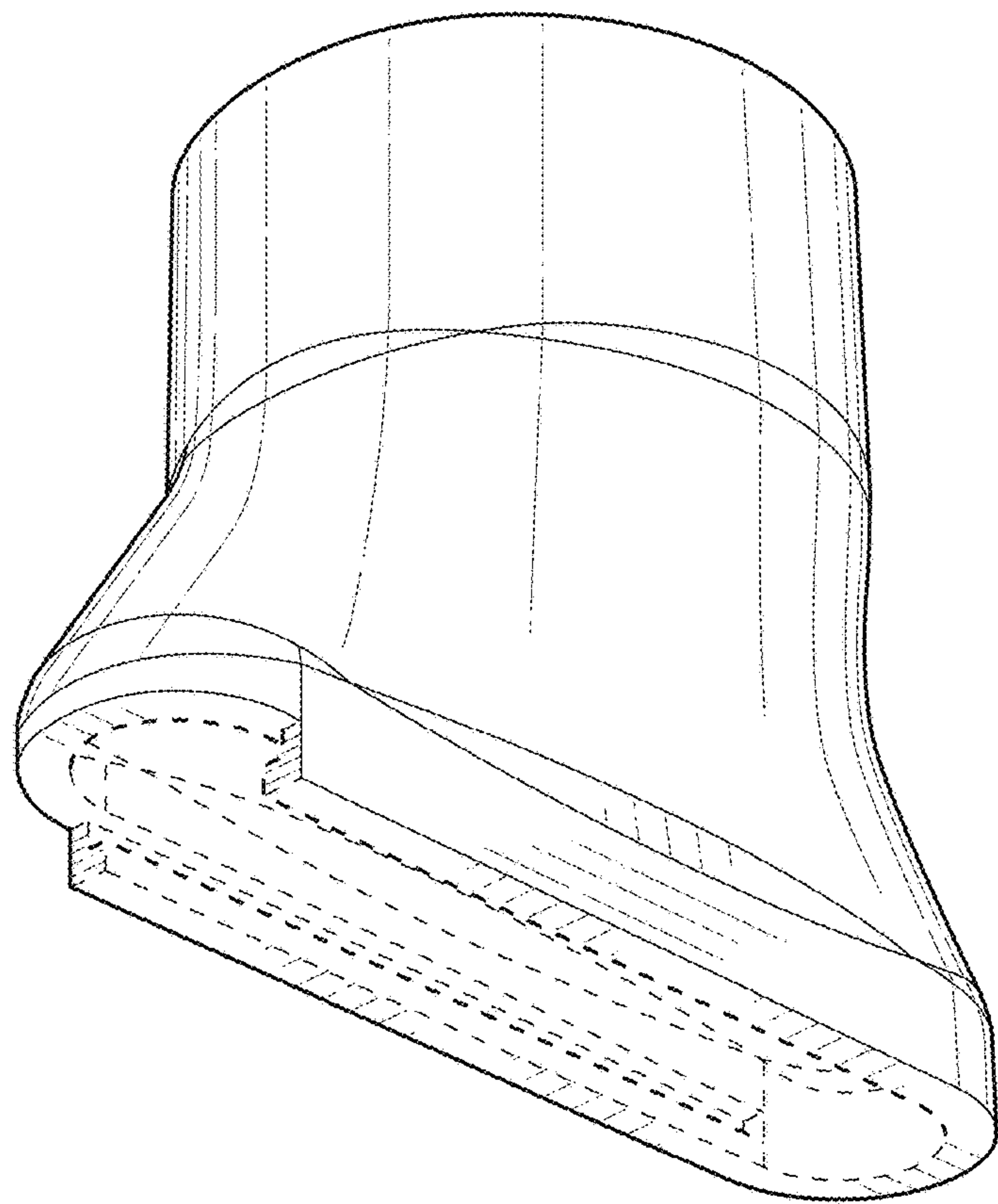


FIG. 2

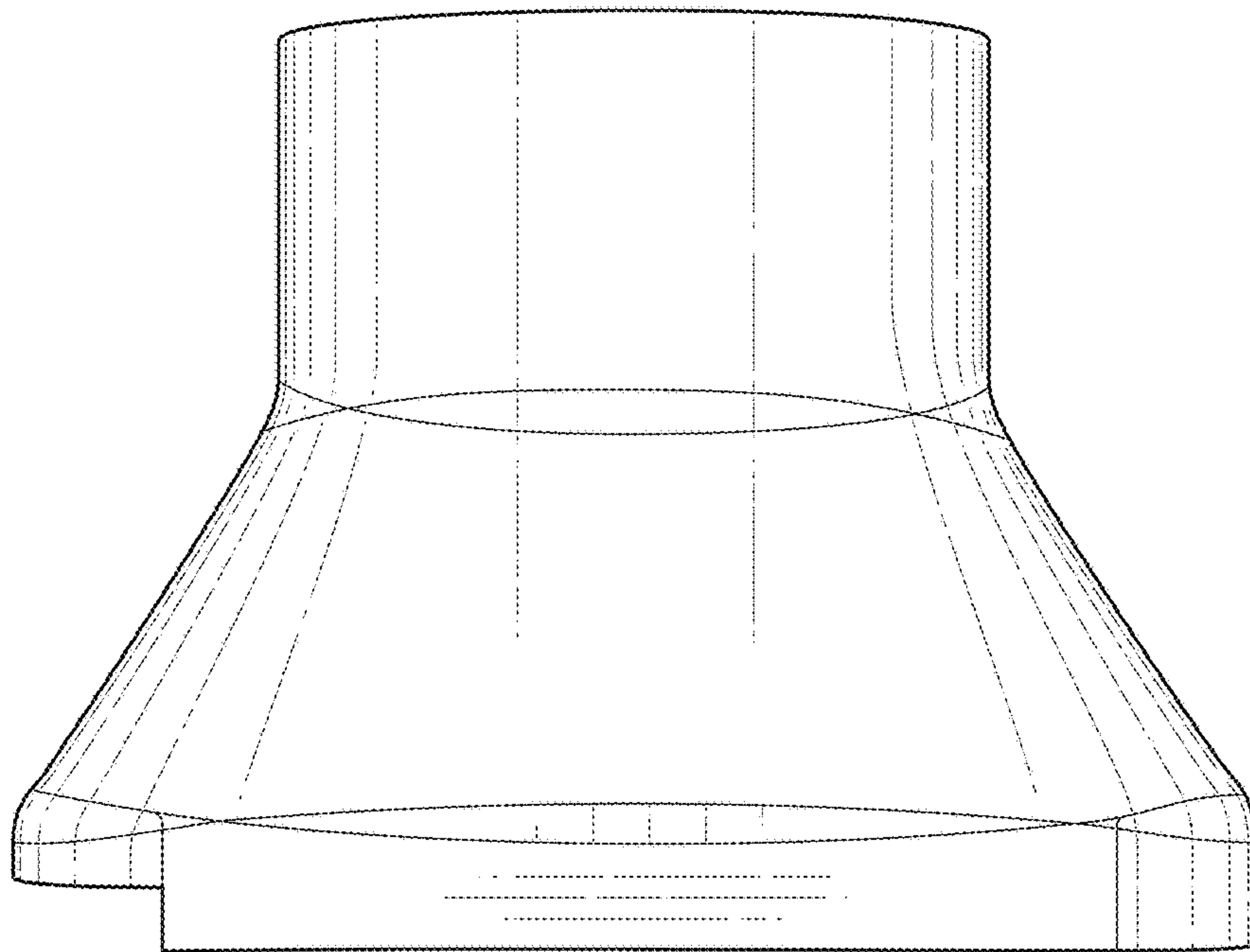


FIG. 3

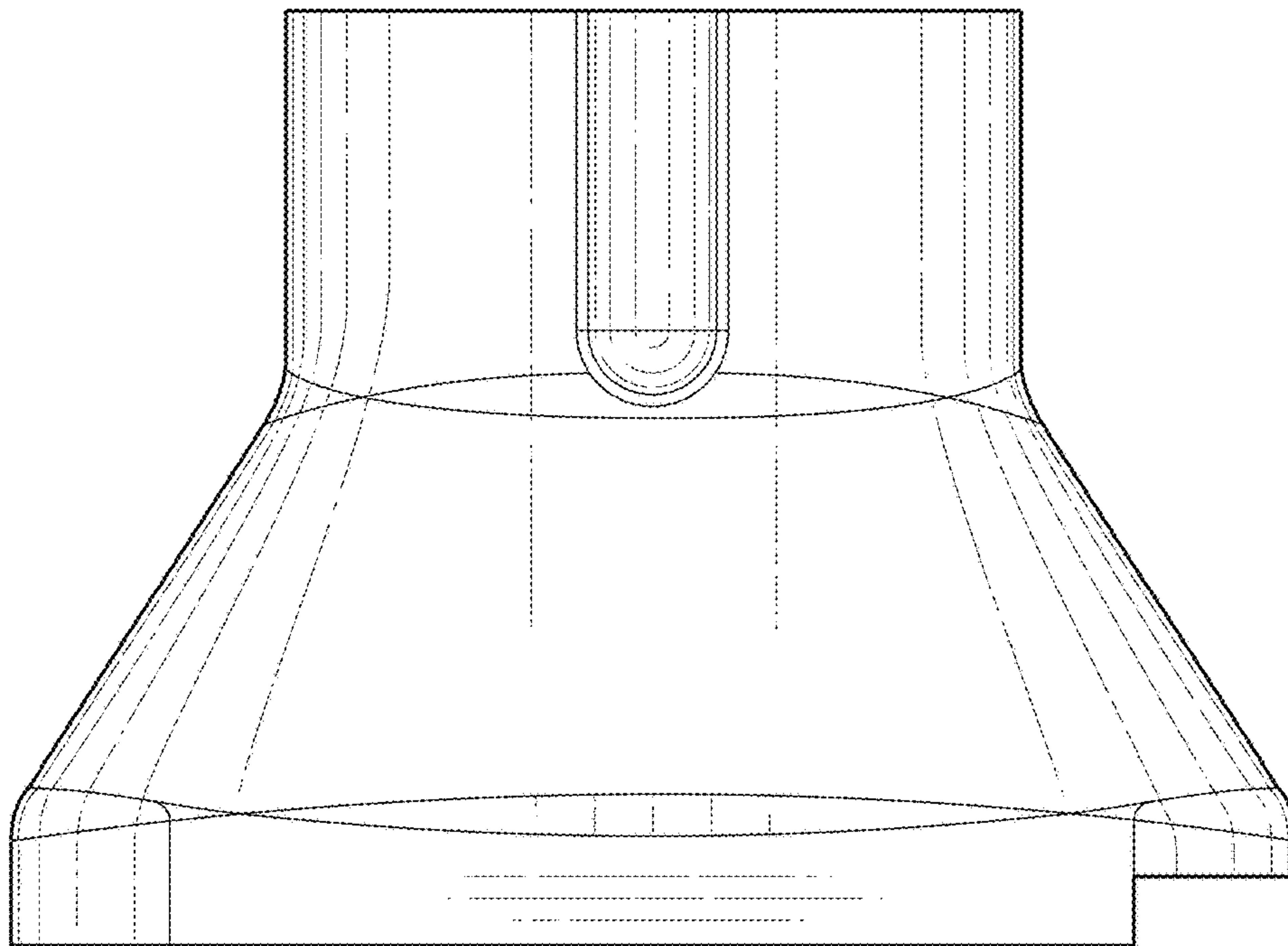


FIG. 4

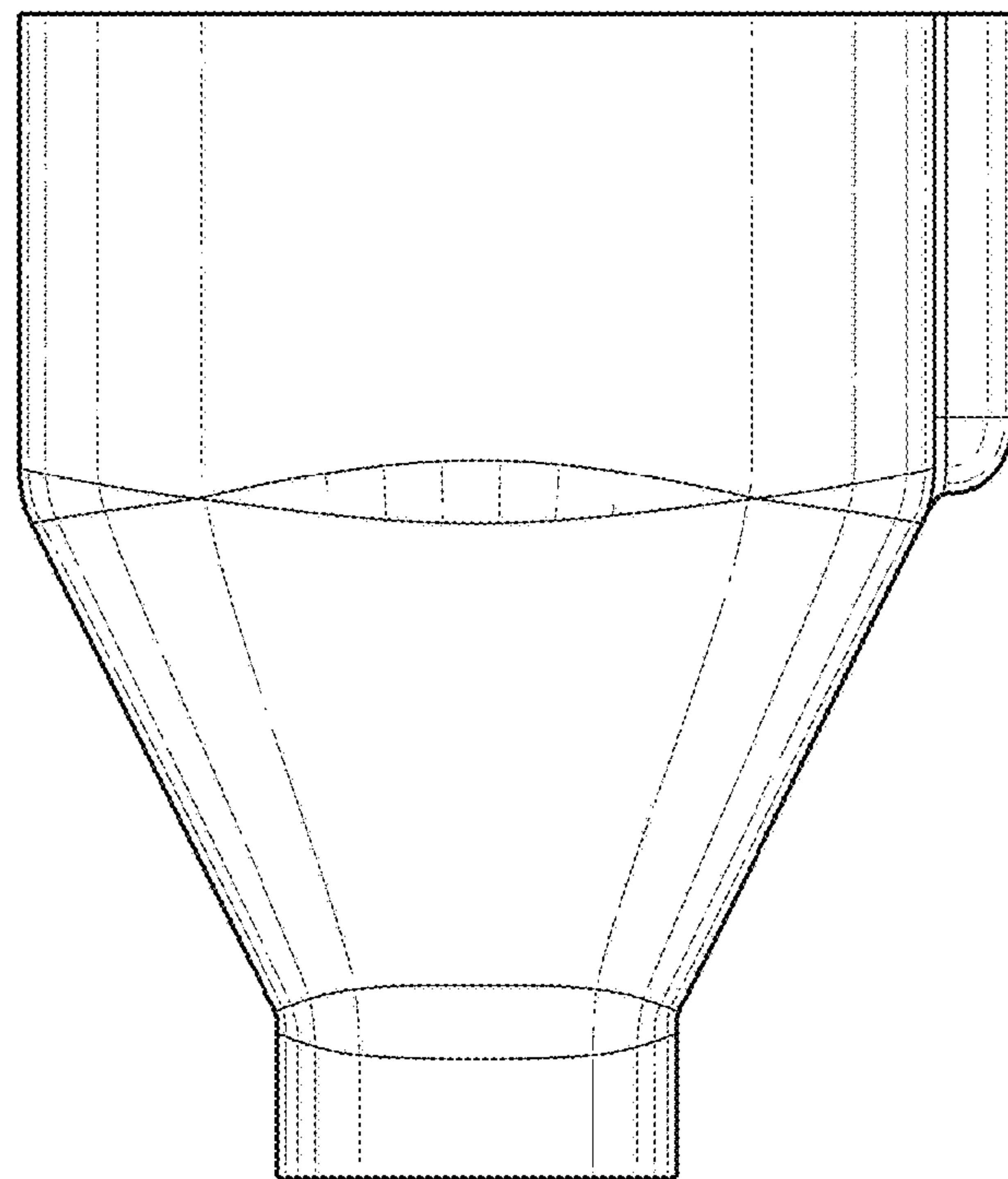


FIG. 5

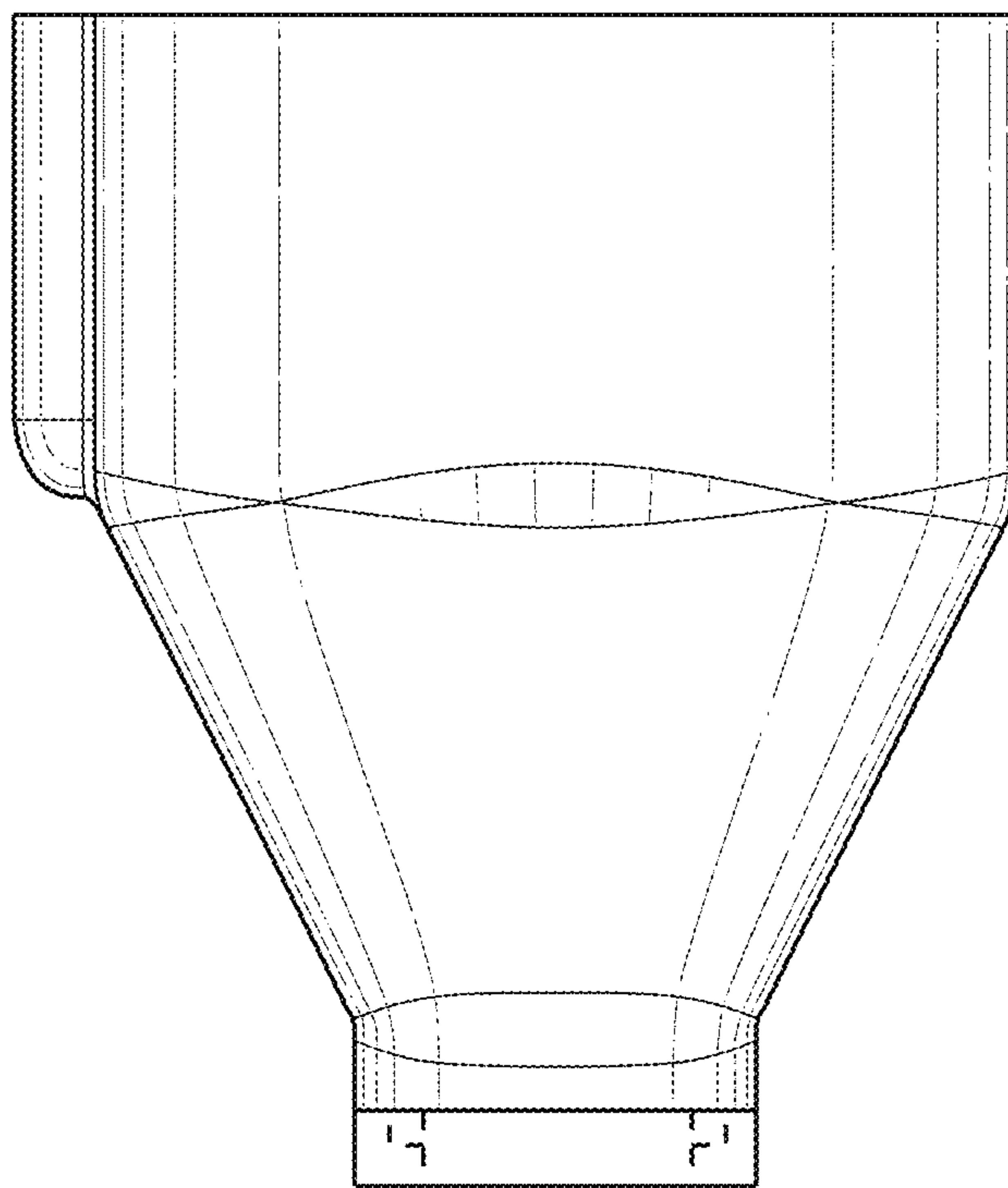


FIG. 6

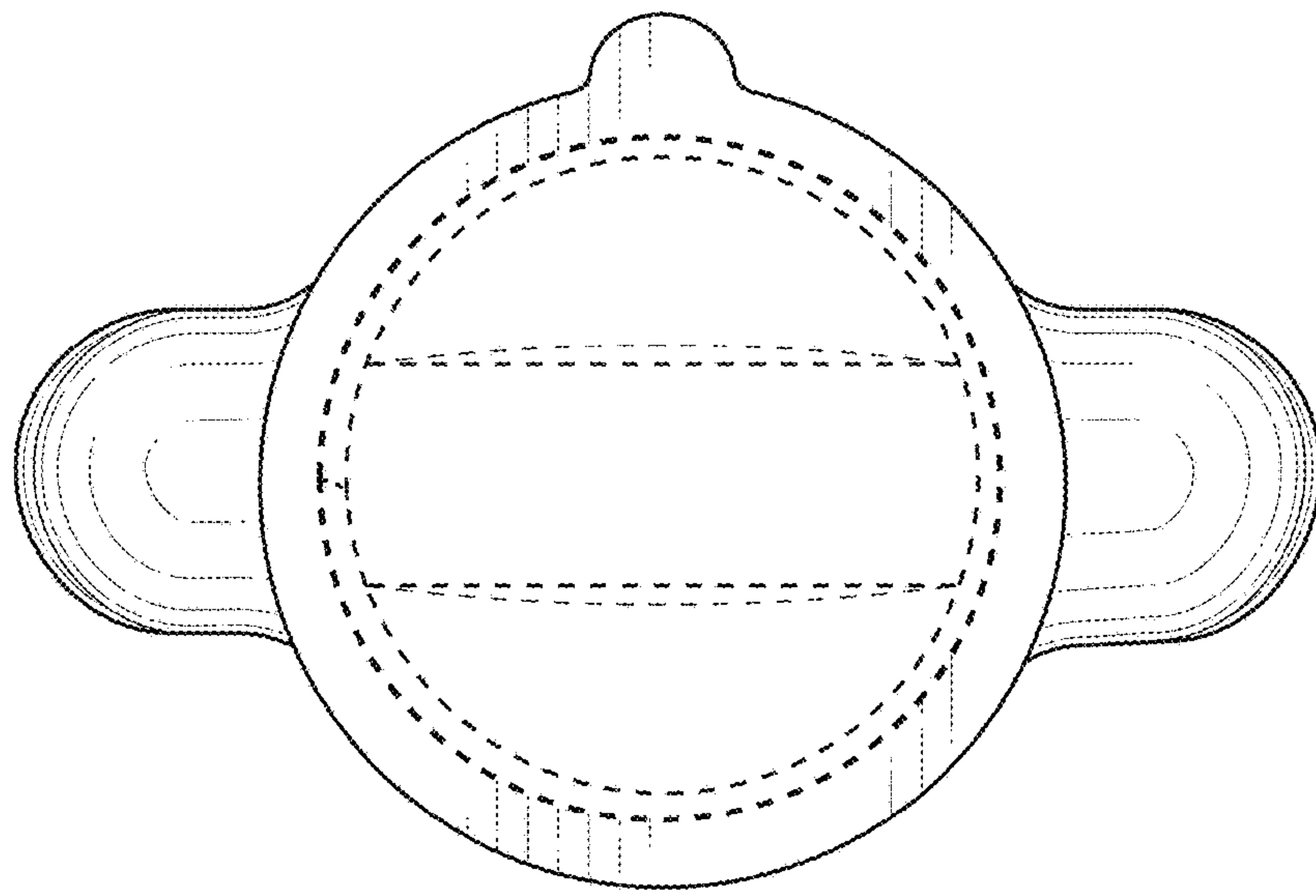


FIG. 7

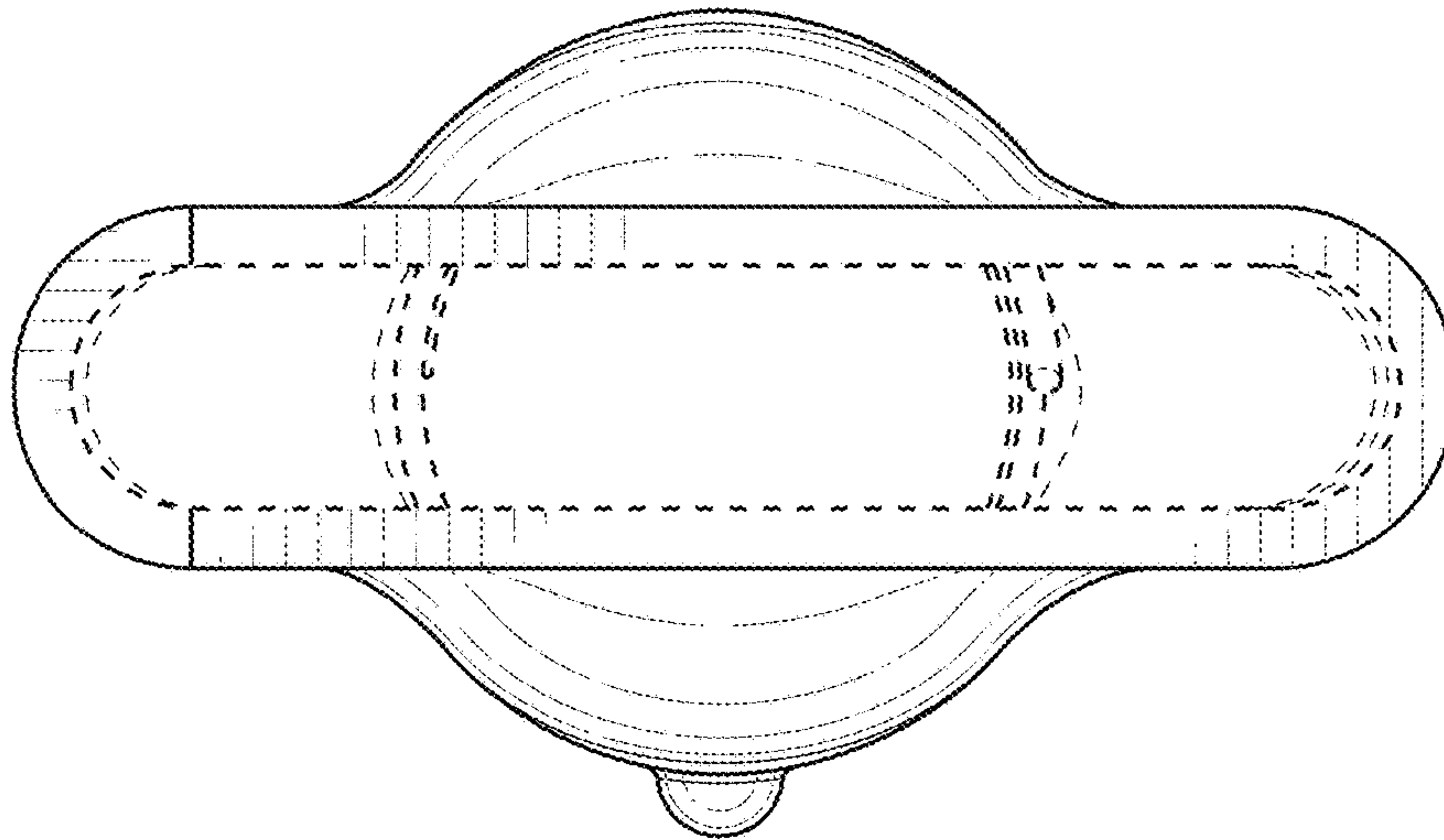


FIG. 8

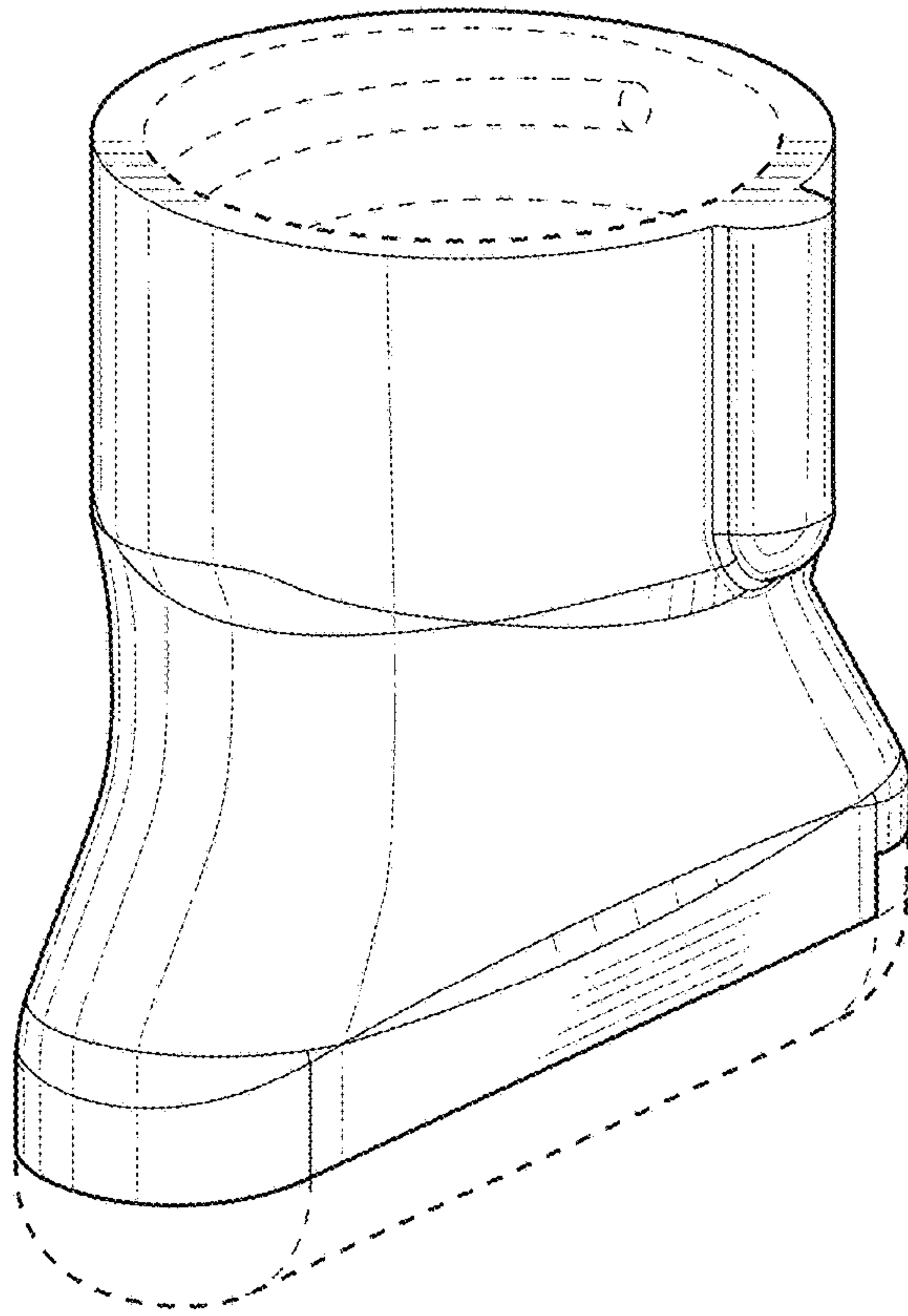


FIG. 9

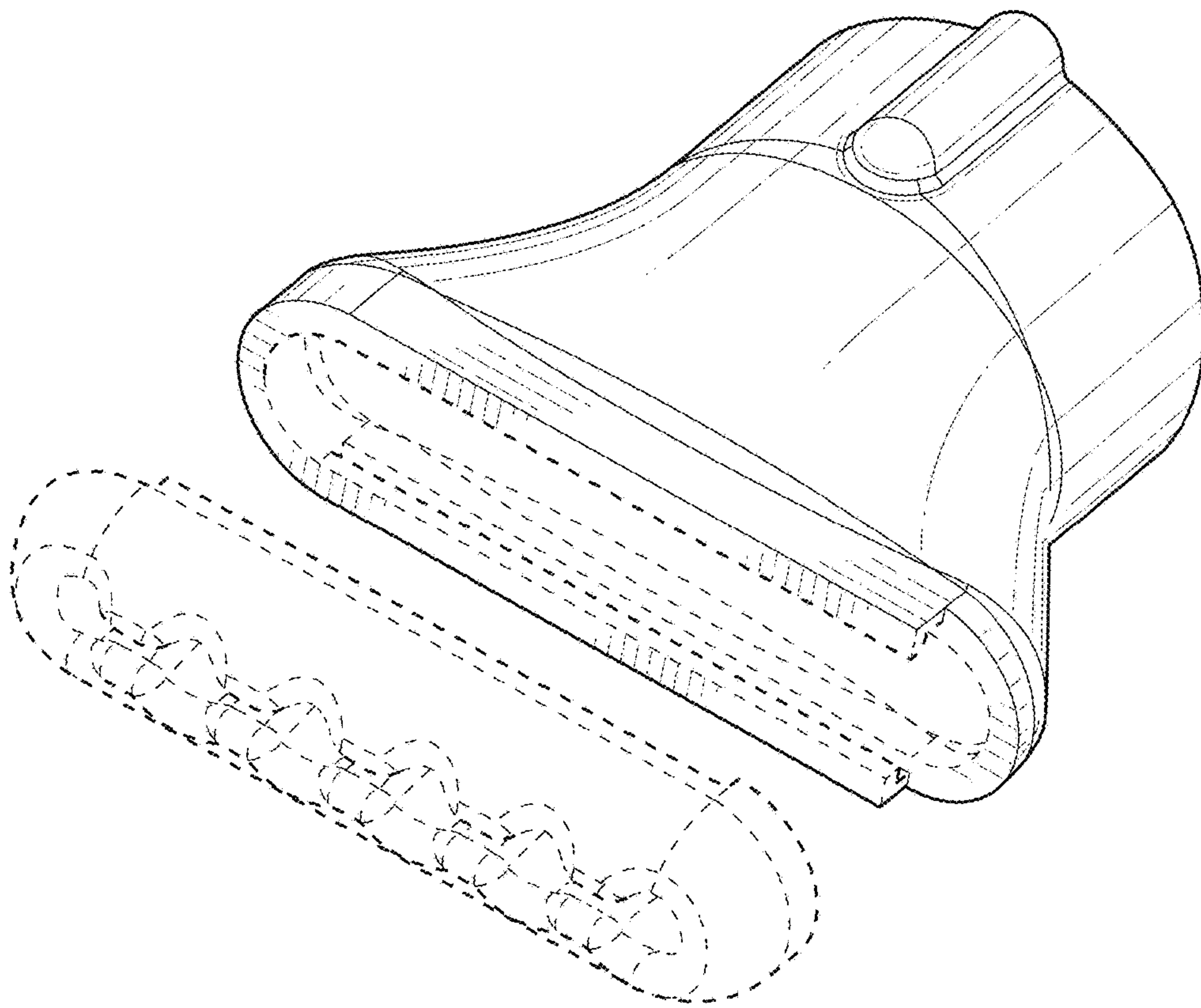


FIG. 10