



US00D785883S

(12) **United States Design Patent**
Wennerström

(10) **Patent No.:** **US D785,883 S**

(45) **Date of Patent:** **** May 2, 2017**

(54) **BRUSH FOR A VACUUM CLEANER**

(71) Applicant: **Aktiebolaget Electrolux**, Stockholm
(SE)

(72) Inventor: **Magnus Wennerström**, Stockholm
(SE)

(73) Assignee: **Aktiebolaget Electrolux**, Stockholm
(SE)

(**) Term: **14 Years**

(21) Appl. No.: **29/495,065**

(22) Filed: **Jun. 26, 2014**

(30) **Foreign Application Priority Data**

Jan. 29, 2014 (EM) 002394627

(51) **LOC (10) Cl.** **15-05**

(52) **U.S. Cl.**
USPC **D32/31**

(58) **Field of Classification Search**
USPC D32/21, 25, 31
CPC A47L 5/30; A47L 11/4038; A47L 11/4041;
A47L 9/0477; A47L 9/0416; A47L
9/0422; A47L 9/2842
See application file for complete search history.

(56) **References Cited**

U.S. PATENT DOCUMENTS

- D125,786 S * 3/1941 Schaad 15/182
- D222,702 S * 12/1971 Schaefer et al. D32/31
- 5,020,186 A * 6/1991 Lessig, III A47L 5/30
15/339
- D431,698 S * 10/2000 Hoshide D32/31
- D471,332 S * 3/2003 Haegermarck D32/31
- D478,698 S * 8/2003 Mertes D32/31

- D483,534 S * 12/2003 Nelson D32/25
- D518,258 S * 3/2006 Hamm D32/31
- D647,265 S * 10/2011 Follows D32/31
- D680,287 S * 4/2013 Morgan D32/31
- D680,289 S * 4/2013 Gray D32/31
- D681,291 S * 4/2013 Morgan D32/31
- D699,010 S * 2/2014 Gilbert, Jr. D32/31
- D716,510 S * 10/2014 Gilbert, Jr. D32/31
- D728,877 S * 5/2015 Therrien D32/31
- D747,052 S * 1/2016 Therrien D32/31
- 2006/0053584 A1 * 3/2006 Dever A47L 9/0477
15/383
- 2008/0307597 A1 * 12/2008 Davidshofer A47L 9/0444
15/182
- 2014/0143978 A1 * 5/2014 Li A47L 9/0444
15/383
- 2015/0374187 A1 * 12/2015 Denhof A47L 9/0477
15/353

* cited by examiner

Primary Examiner — Ruth McInroy

(74) *Attorney, Agent, or Firm* — Banner & Witcoff, Ltd.

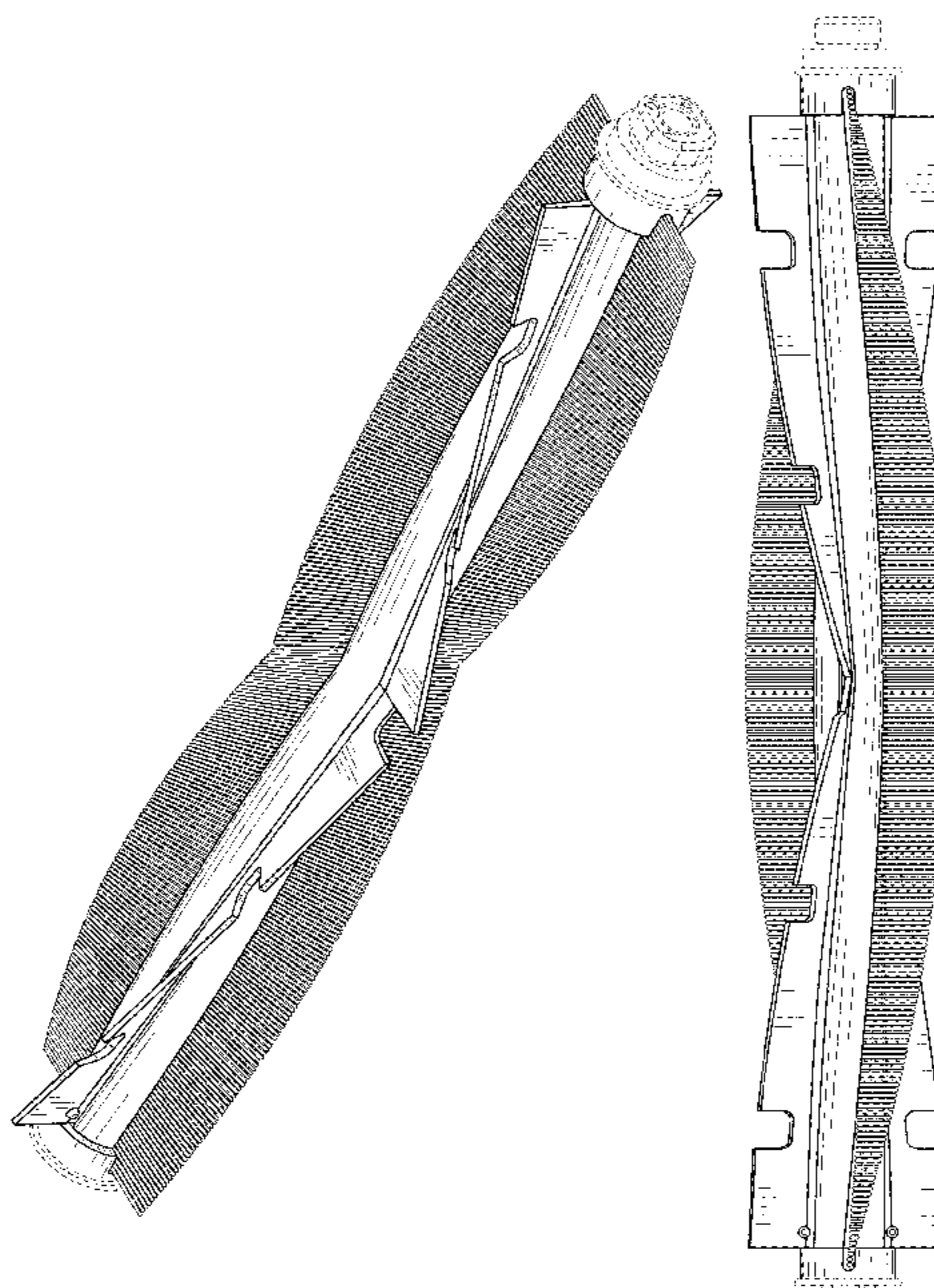
(57) **CLAIM**

The ornamental design for a brush for a vacuum cleaner, as shown and described.

DESCRIPTION

FIG. 1 is a perspective view of a brush for a vacuum cleaner showing my new design;
 FIG. 2 is a front view thereof;
 FIG. 3 is a top view thereof;
 FIG. 4 is an enlarged left side view thereof;
 FIG. 5 is an enlarged right side view thereof;
 FIG. 6 is a rear view thereof; and,
 FIG. 7 is a bottom view thereof.
 The broken lines represent unclaimed subject matter and form no part of the claimed design.

1 Claim, 6 Drawing Sheets



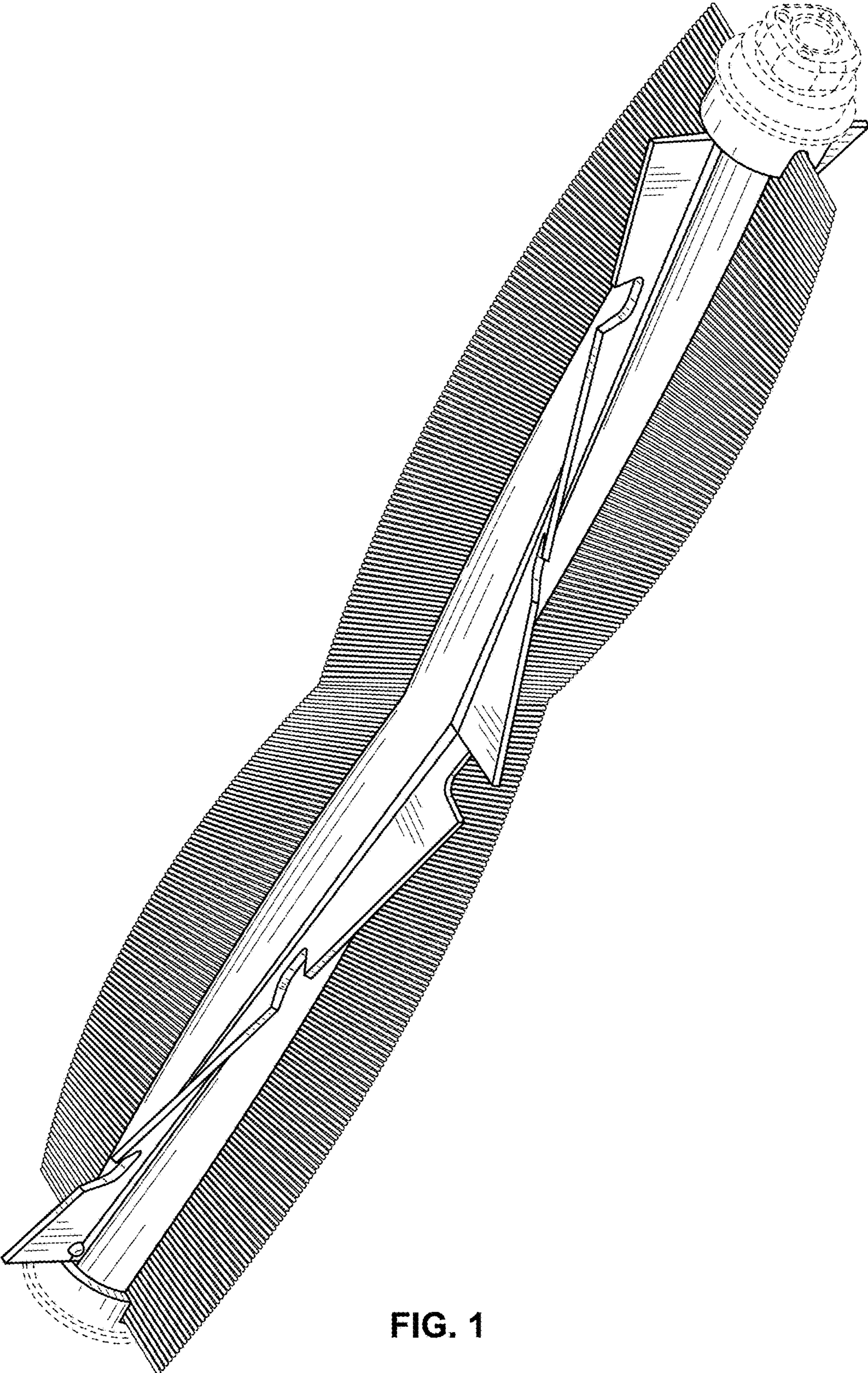


FIG. 1

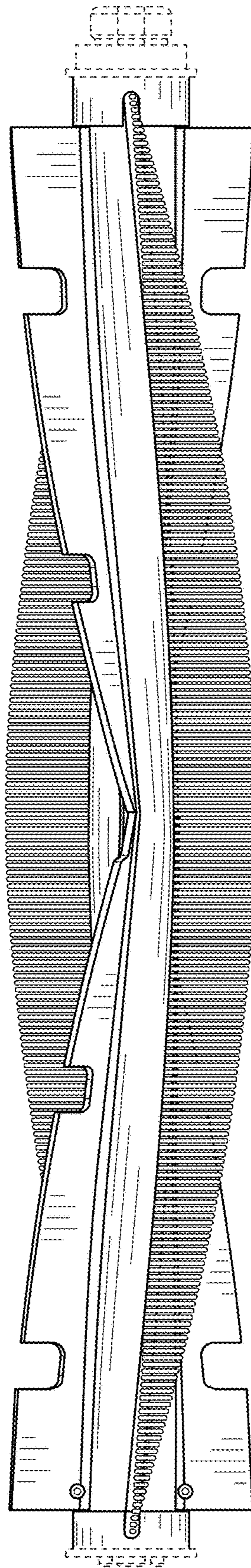


FIG. 2

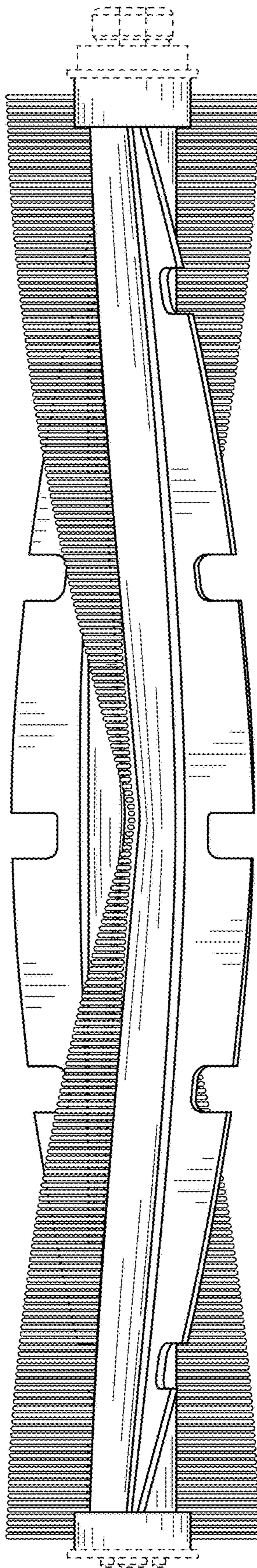


FIG. 3

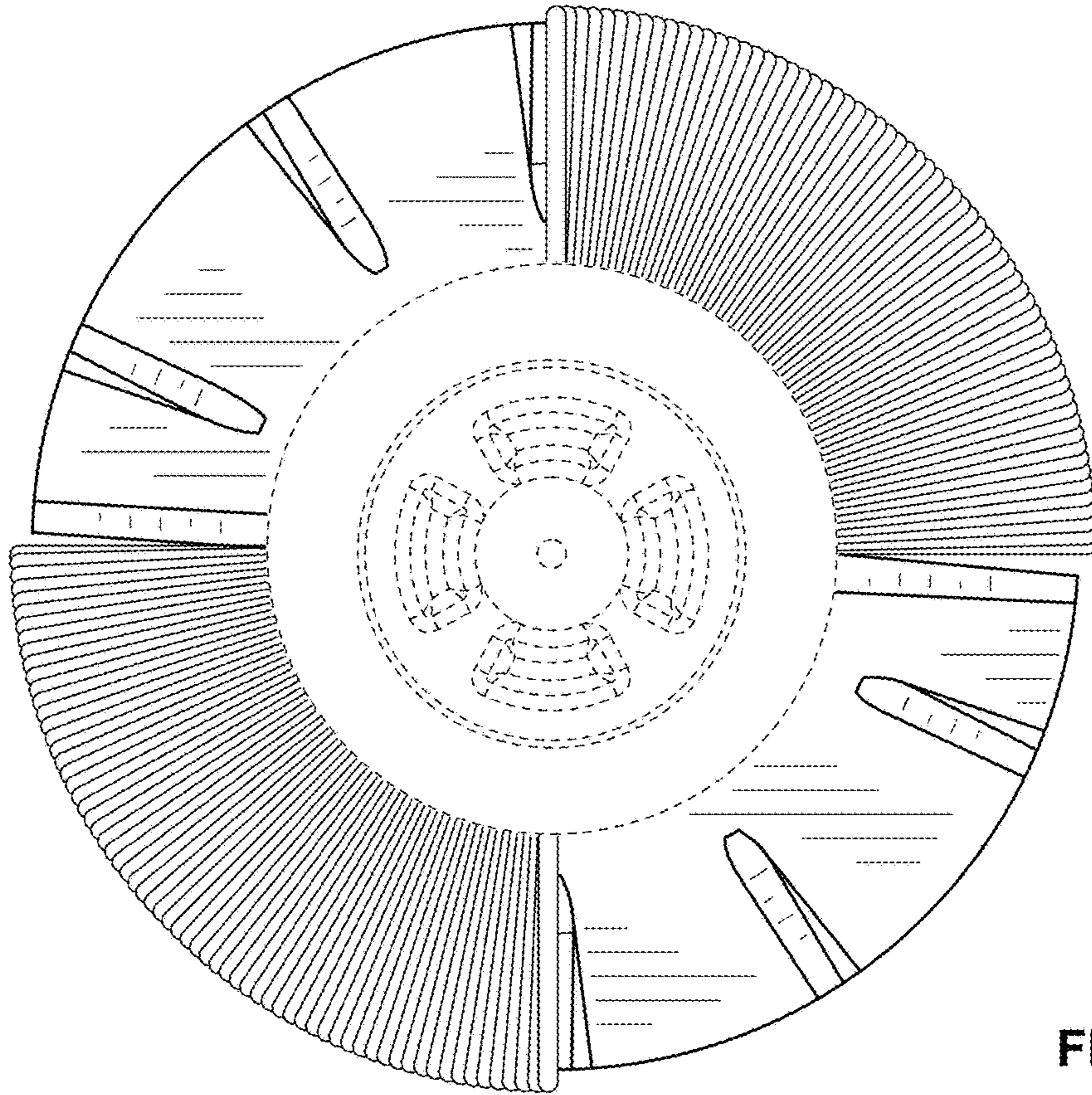


FIG. 4

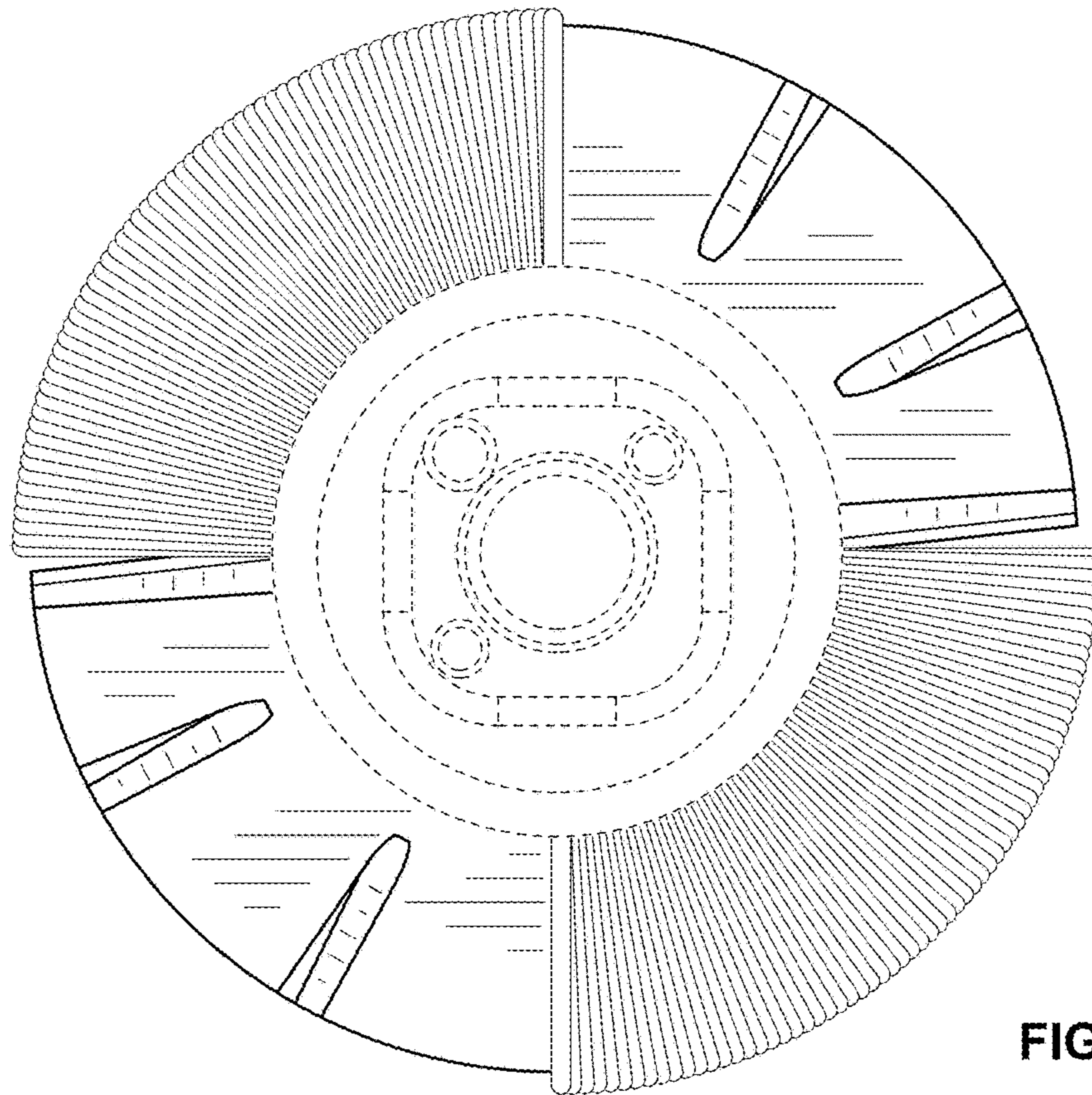


FIG. 5

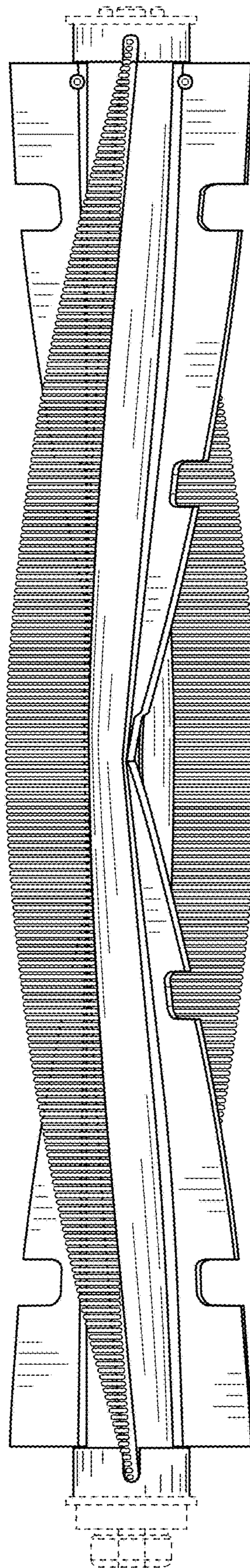


FIG. 6

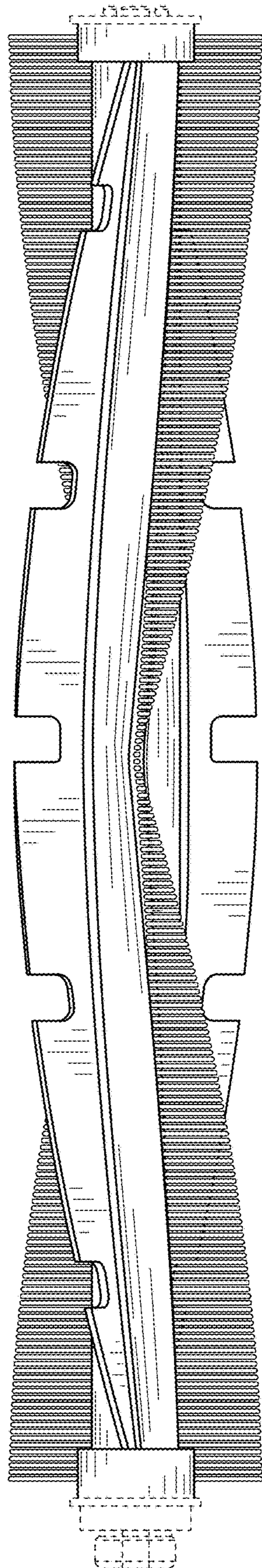


FIG. 7