



US00D785882S

(12) **United States Design Patent**
Kim et al.

(10) **Patent No.:** **US D785,882 S**

(45) **Date of Patent:** **** May 2, 2017**

(54) **WASHING MACHINE**

D648,907 S * 11/2011 Jeon D32/6
D711,605 S * 8/2014 Jo D32/25

(71) Applicant: **Samsung Electronics Co., Ltd.**,
Suwon-si (KR)

* cited by examiner

(72) Inventors: **Yeonsu Kim**, Seoul (KR); **Yoonjong Kang**, Seoul (KR)

Primary Examiner — Caron D Veynar

Assistant Examiner — Laura Yu

(73) Assignee: **Samsung Electronics Co., Ltd.**,
Suwon-si (KR)

(74) *Attorney, Agent, or Firm* — NSIP Law

(**) Term: **15 Years**

(57) **CLAIM**

We claim the ornamental design for a washing machine, as shown and described.

(21) Appl. No.: **29/550,518**

(22) Filed: **Jan. 5, 2016**

DESCRIPTION

(30) **Foreign Application Priority Data**

Jul. 17, 2015 (KR) 30-2015-0036139

(51) **LOC (10) Cl.** **15-05**

(52) **U.S. Cl.**
USPC **D32/28; D32/25; D32/6; D32/8**

(58) **Field of Classification Search**
USPC D32/28, 6, 25, 29, 29.1, 8
CPC D06F 39/045; D06F 29/00; D06F 29/005
See application file for complete search history.

FIG. 1 is a front perspective view of a washing machine showing our new design;
FIG. 2 is a front view thereof;
FIG. 3 is a rear view thereof;
FIG. 4 is a left-side view thereof;
FIG. 5 is a right-side view thereof;
FIG. 6 is a top view thereof;
FIG. 7 is a bottom view thereof; and,
FIG. 8 is an enlarged view of the encircled portion in FIG. 1.

The broken lines in the figures show portions of the washing machine which form no part of the claimed design. The dot-dash broken lines encircling portions of the claimed design that are illustrated in enlargements form no part of the claimed design.

(56) **References Cited**

U.S. PATENT DOCUMENTS

D489,496 S * 5/2004 Sneddon D32/6
D554,307 S * 10/2007 Kim D32/6

1 Claim, 8 Drawing Sheets

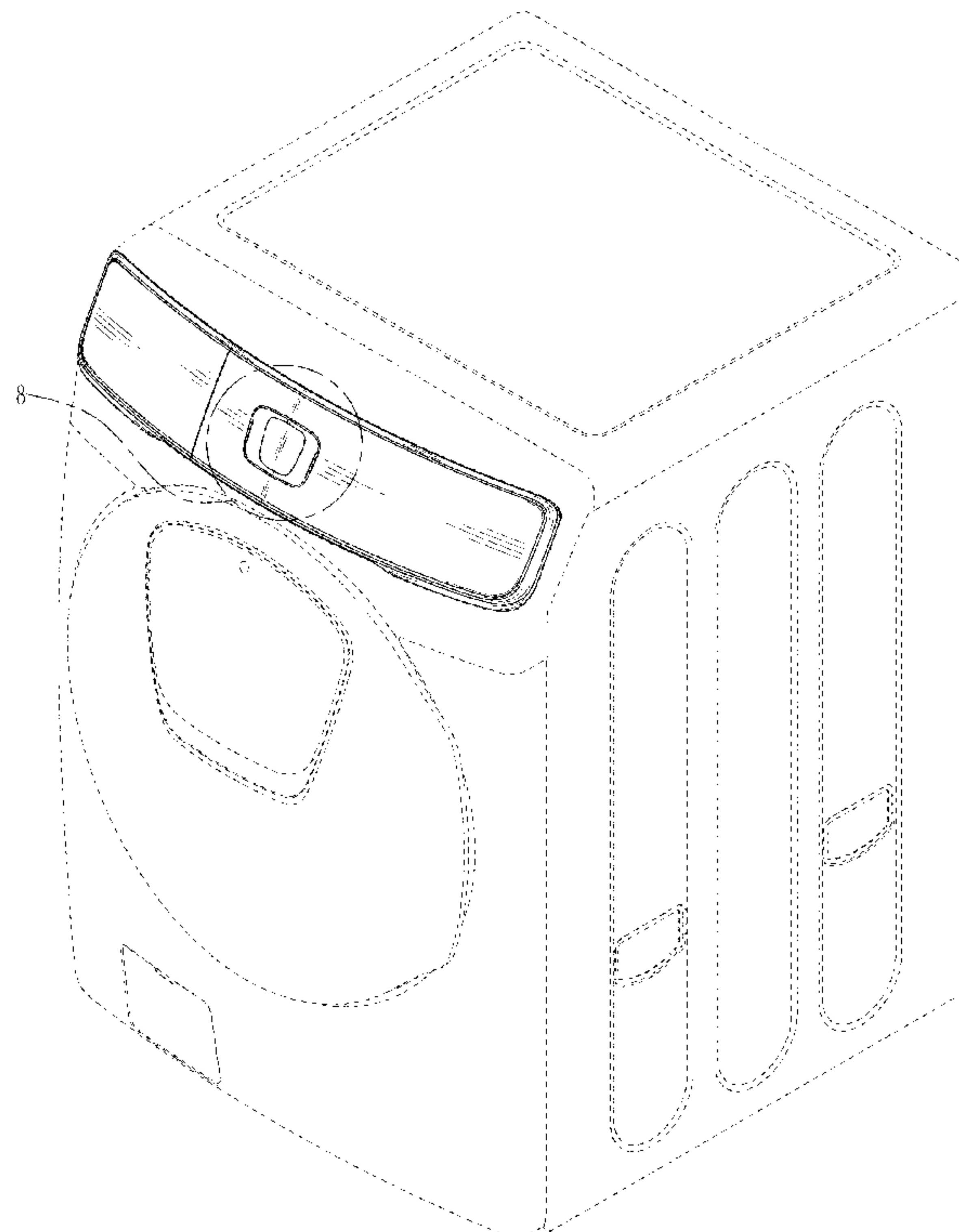


FIG. 1

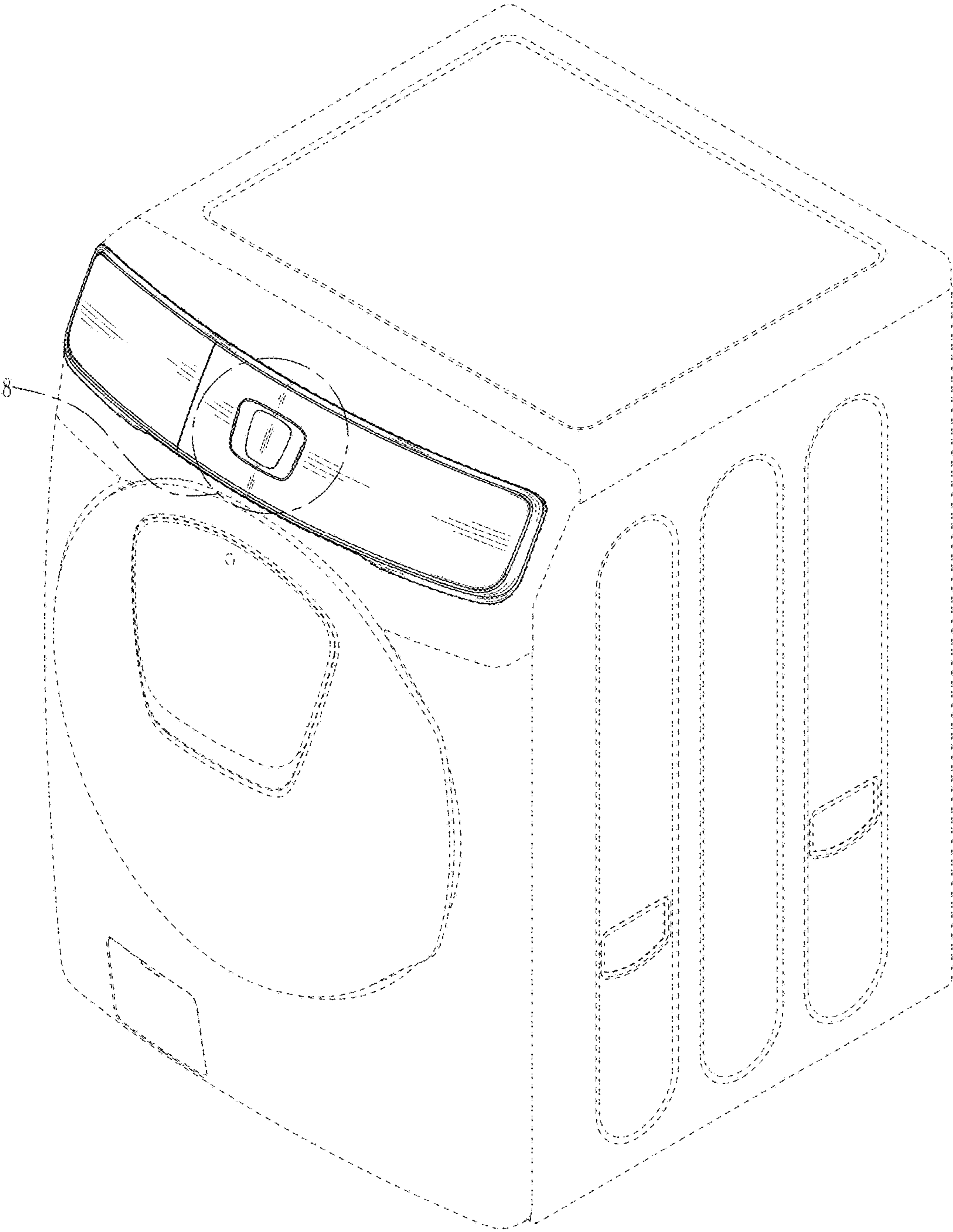


FIG. 2

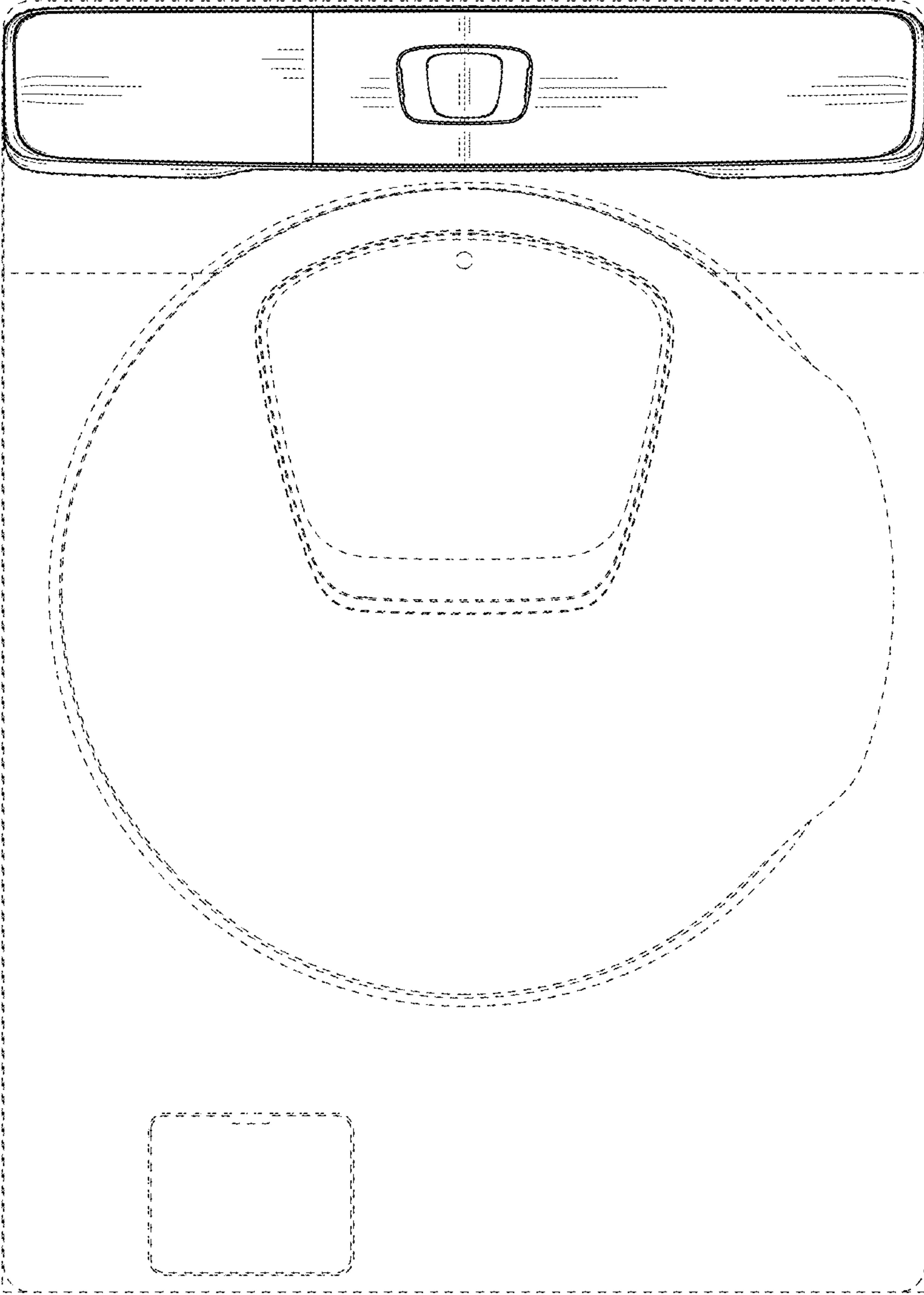


FIG. 3

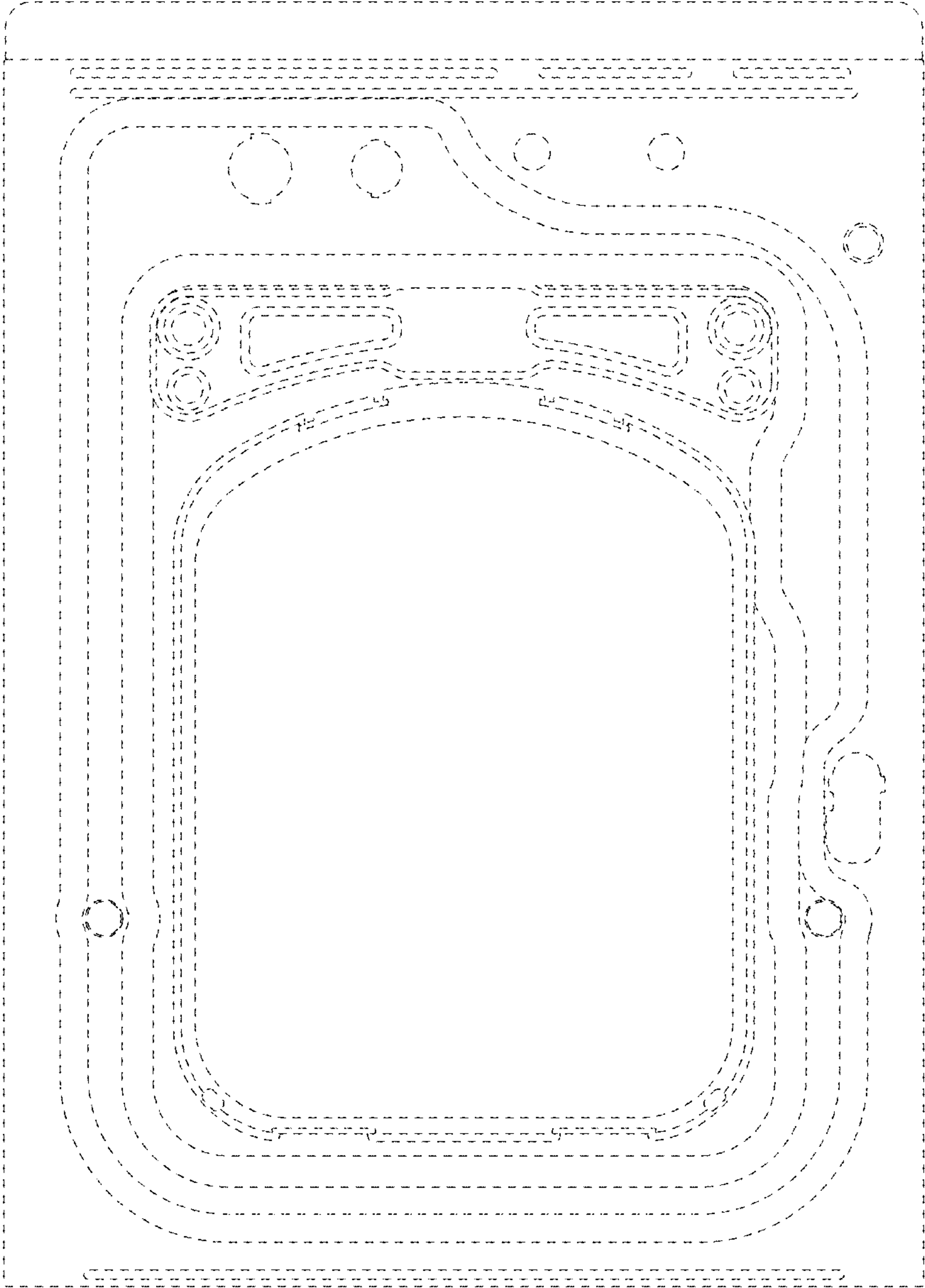


FIG. 4

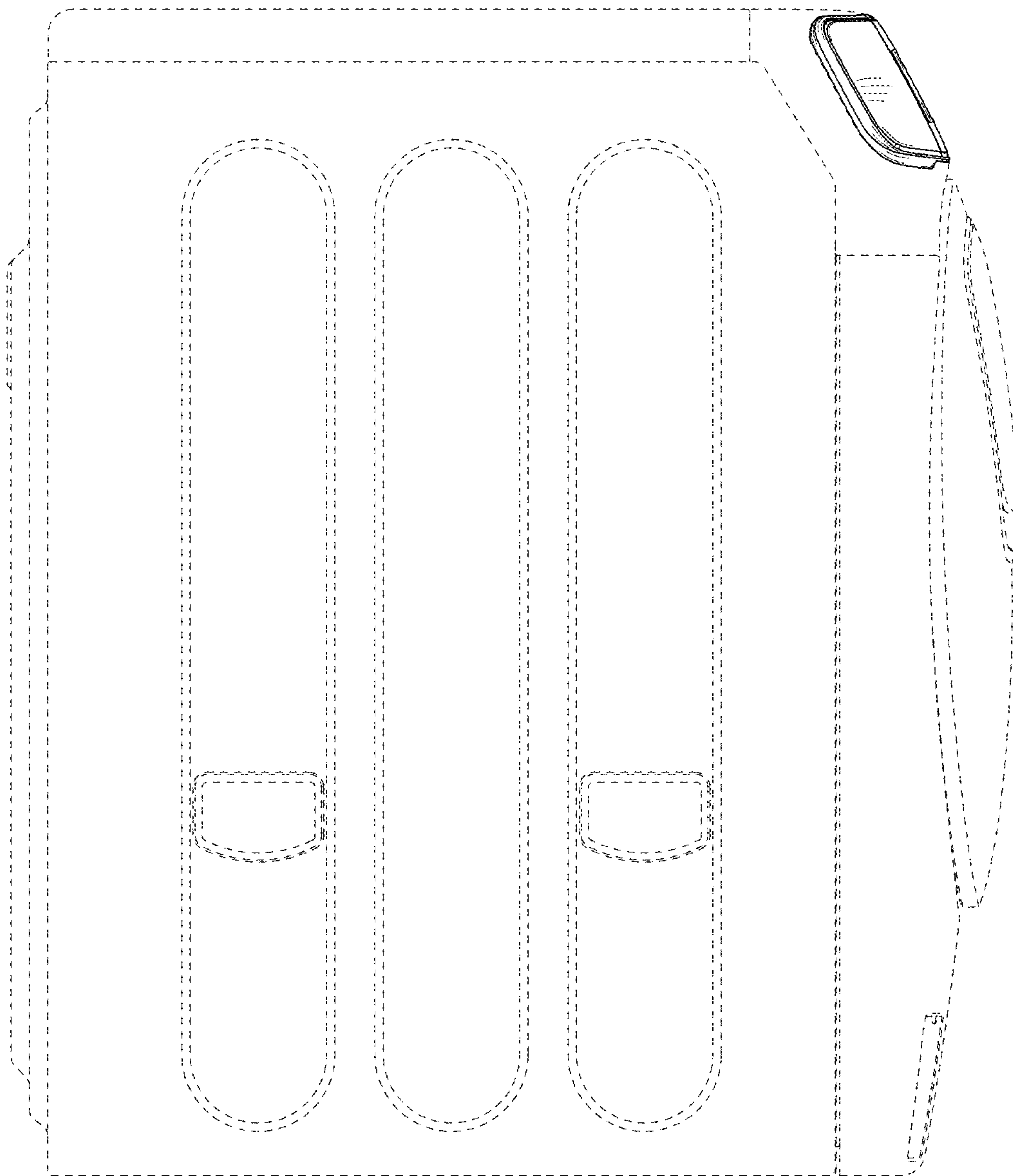


FIG. 5

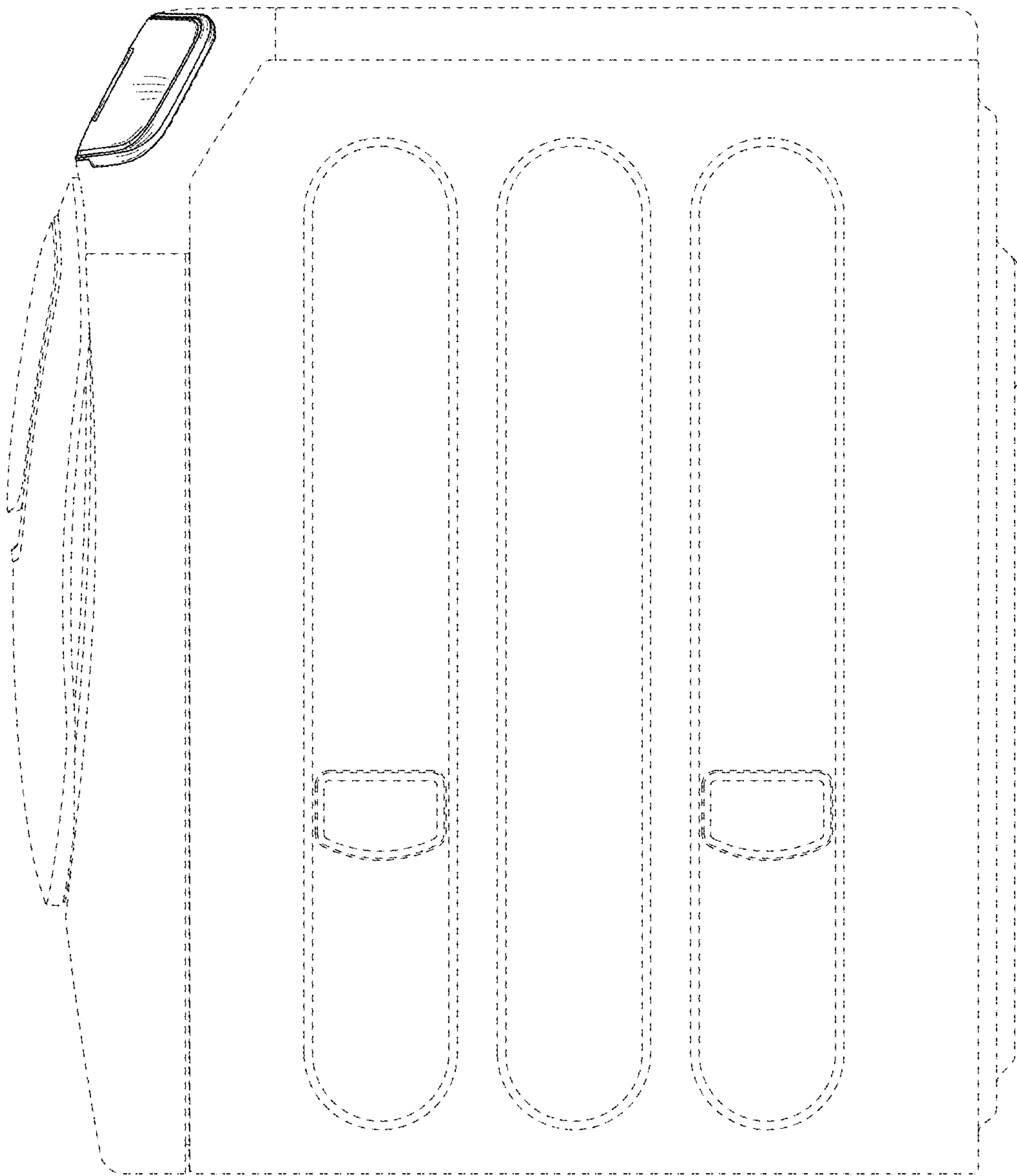


FIG. 6

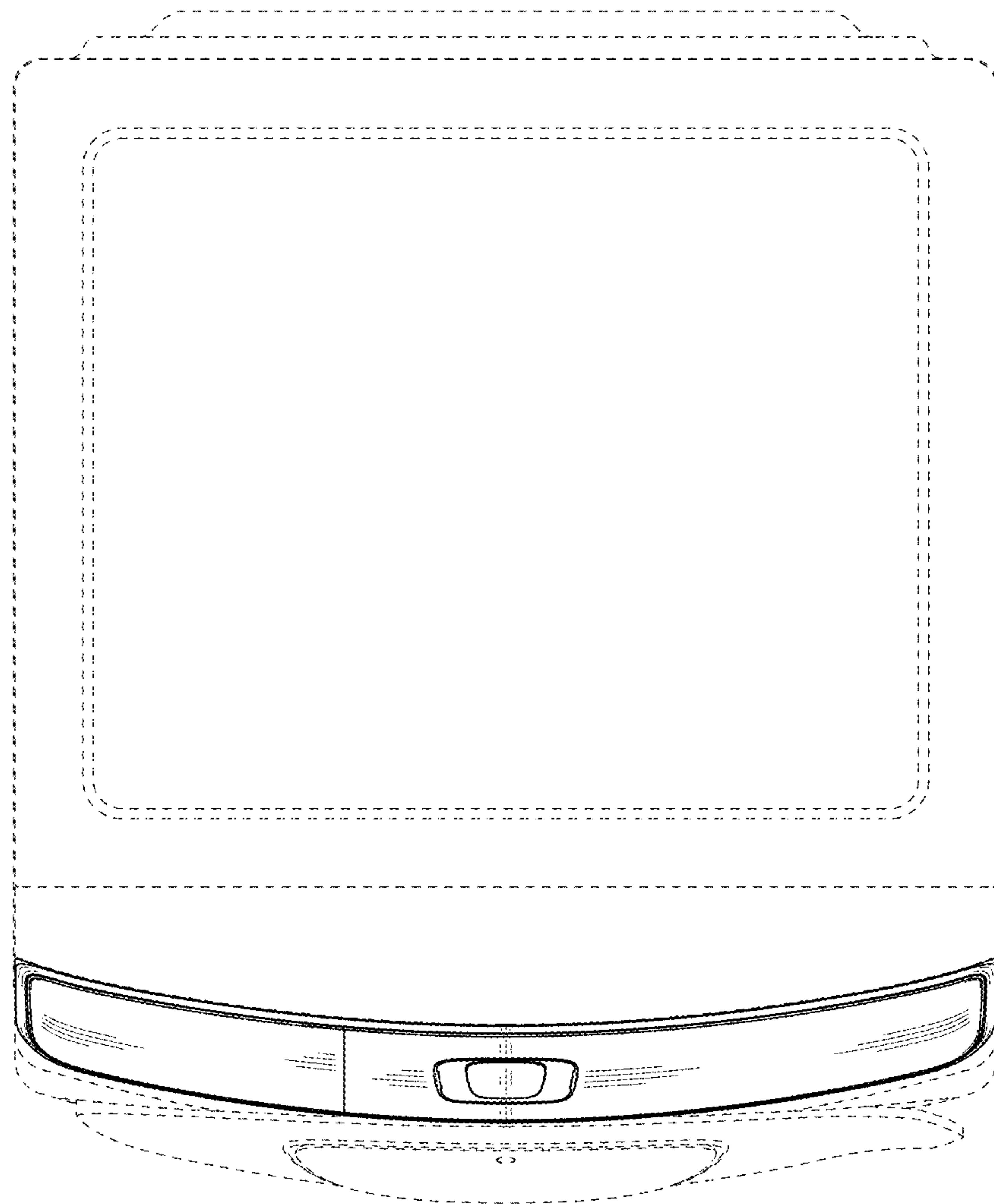


FIG. 7

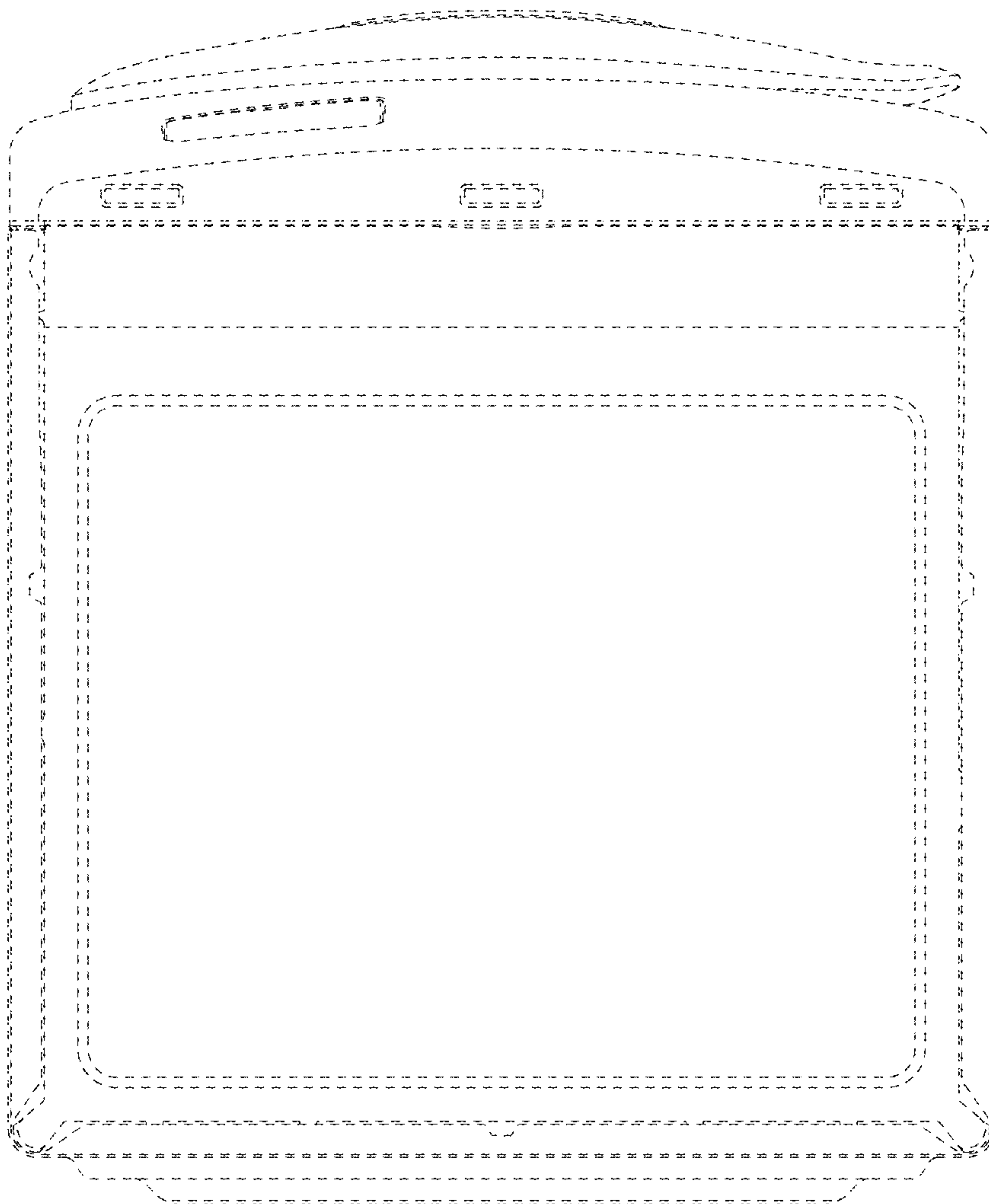


FIG. 8

