



US00D785881S

(12) **United States Design Patent**  
**Yoon et al.**

(10) **Patent No.:** **US D785,881 S**  
(45) **Date of Patent:** **\*\* May 2, 2017**

(54) **WASHING MACHINE**

FOREIGN PATENT DOCUMENTS

(71) Applicant: **Samsung Electronics Co., Ltd.**,  
Suwon-si (KR)

IN 279246-0001 \* 1/2016

(72) Inventors: **Kisang Yoon**, Daejeon (KR); **Yoonjong Kang**, Seoul (KR)

OTHER PUBLICATIONS

(73) Assignee: **Samsung Electronics Co., Ltd.**,  
Suwon-si (KR)

Samsung Appliances Tita Techie posted by Tita Jane, posted date Nov. 29, 2014, © 2016 Tita Technie, [online], [site visited Dec. 16, 2016]. Available from Internet, <URL: <http://titatechie.com/2014/11/samsung-presents-its-fully-automatic-washing-machines/>>.\*

(\*\*) Term: **15 Years**

\* cited by examiner

(21) Appl. No.: **29/550,502**

*Primary Examiner* — Caron D Veynar

(22) Filed: **Jan. 5, 2016**

*Assistant Examiner* — Laura Yu

(30) **Foreign Application Priority Data**

(74) *Attorney, Agent, or Firm* — NSIP Law

Jul. 17, 2015 (KR) ..... 30-2015-0036143

(51) **LOC (10) Cl.** ..... **15-05**

(52) **U.S. Cl.**

USPC ..... **D32/28**; D32/25; D32/6; D32/8

(58) **Field of Classification Search**

USPC ..... D32/28, 6, 25, 29, 29.1, 8

CPC ..... D06F 39/045; D06F 29/00; D06F 29/005;

D06F 33/02; D06F 39/02; D06F 25/00;

D06F 35/006; D06F 2204/065

See application file for complete search history.

(56) **References Cited**

U.S. PATENT DOCUMENTS

D705,506 S \* 5/2014 Kwack ..... D32/28

D705,507 S \* 5/2014 Cho ..... D32/28

D709,657 S \* 7/2014 Shin ..... D32/25

D760,454 S \* 6/2016 Joo ..... D32/6

D762,025 S \* 7/2016 Joo ..... D32/6

2011/0041258 A1 \* 2/2011 Ko ..... D06F 29/00

8/137

2015/0299927 A1 \* 10/2015 Kim ..... D06F 39/08

68/27

(57) **CLAIM**

We claim the ornamental design for a washing machine, as shown and described.

**DESCRIPTION**

FIG. 1 is a front perspective view of a washing machine showing our new design;

FIG. 2 is a front view thereof;

FIG. 3 is a rear view thereof;

FIG. 4 is a left-side view thereof;

FIG. 5 is a right-side view thereof;

FIG. 6 is a top view thereof;

FIG. 7 is a bottom view thereof; and,

FIG. 8 is an enlarged view of the encircled portion in FIG. 1.

The broken lines in the figures show portions of the washing machine which form no part of the claimed design.

The dot-dash broken lines encircling portions of the claimed design that are illustrated in enlargements form no part of the claimed design.

**1 Claim, 8 Drawing Sheets**

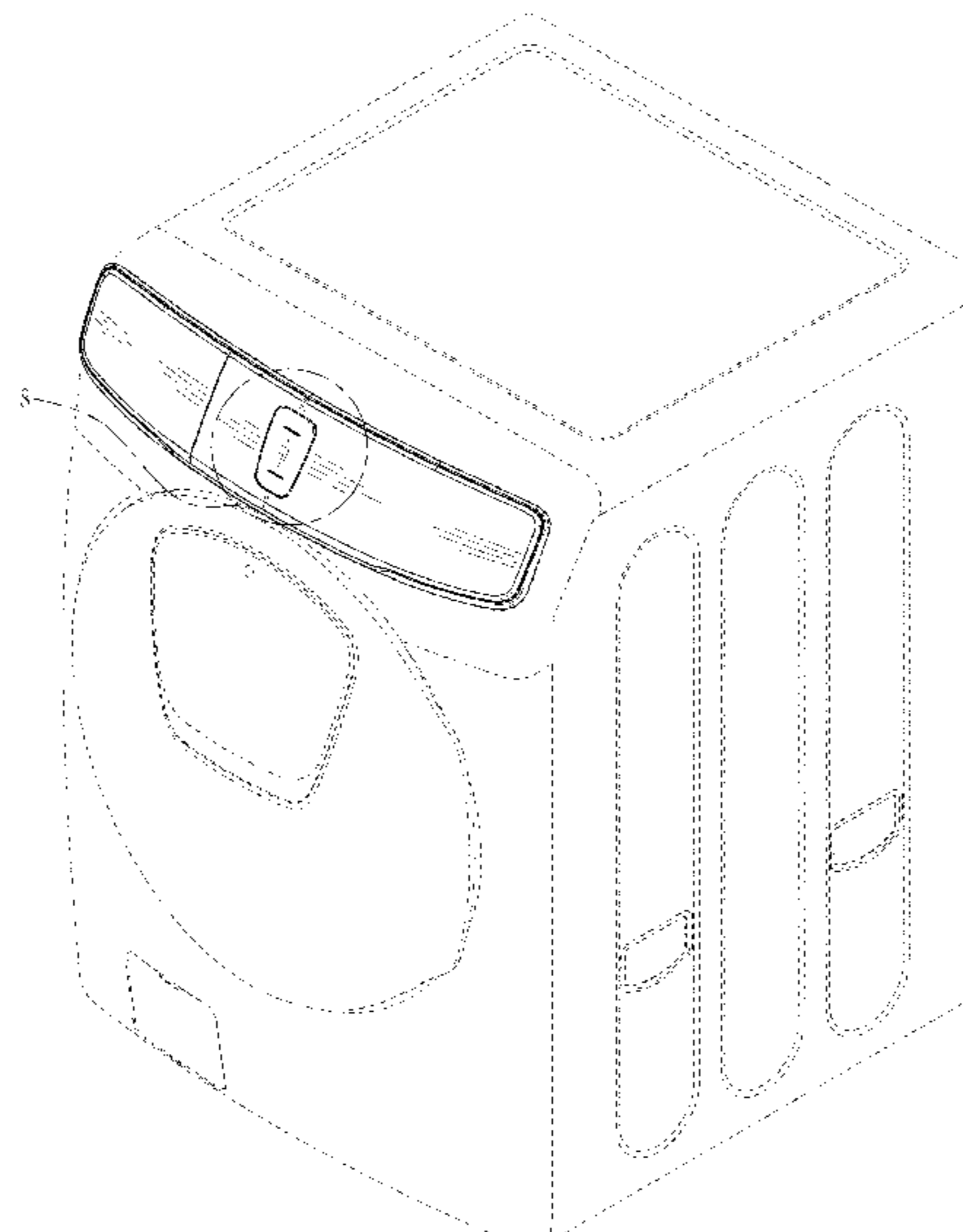


FIG. 1

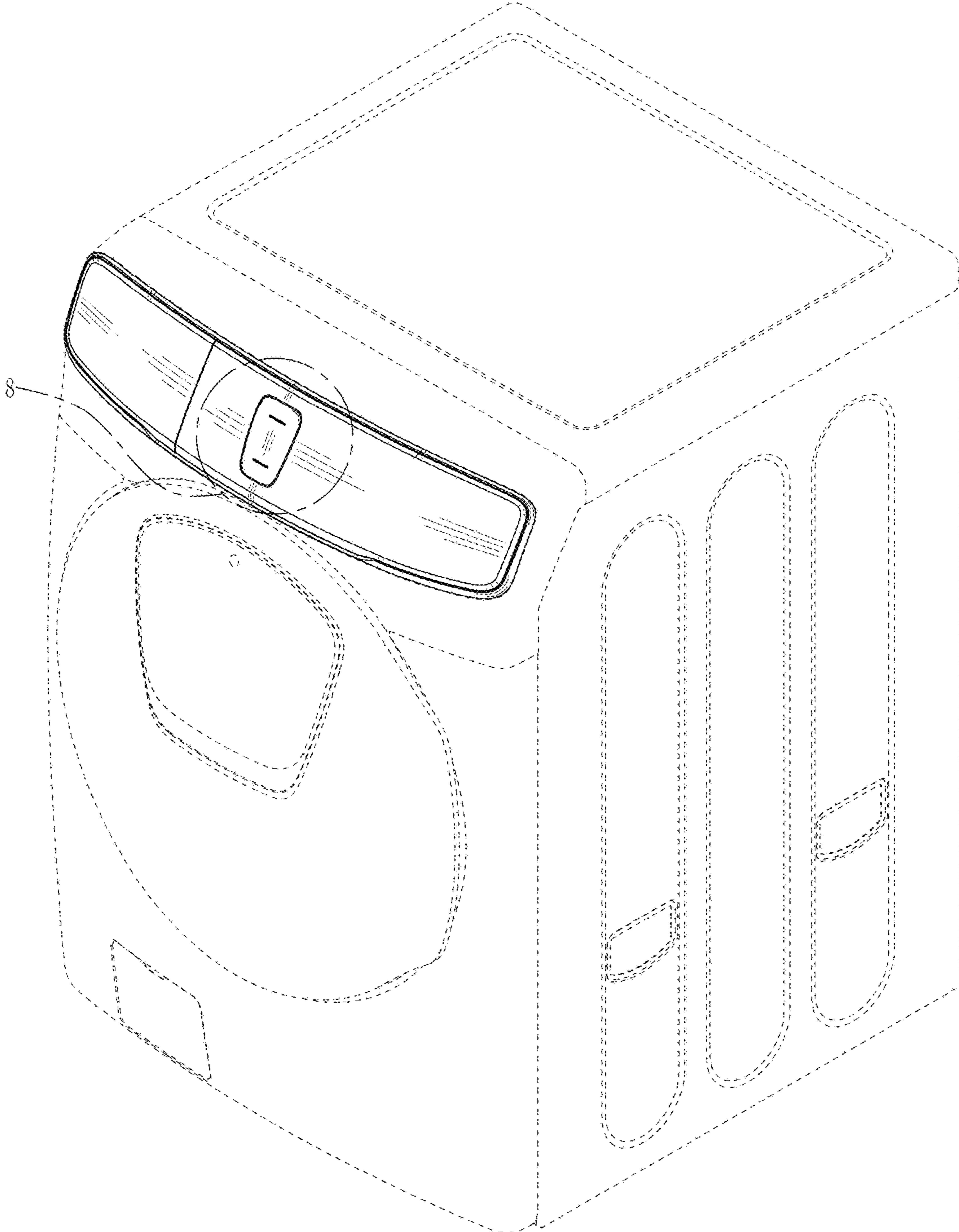


FIG. 2

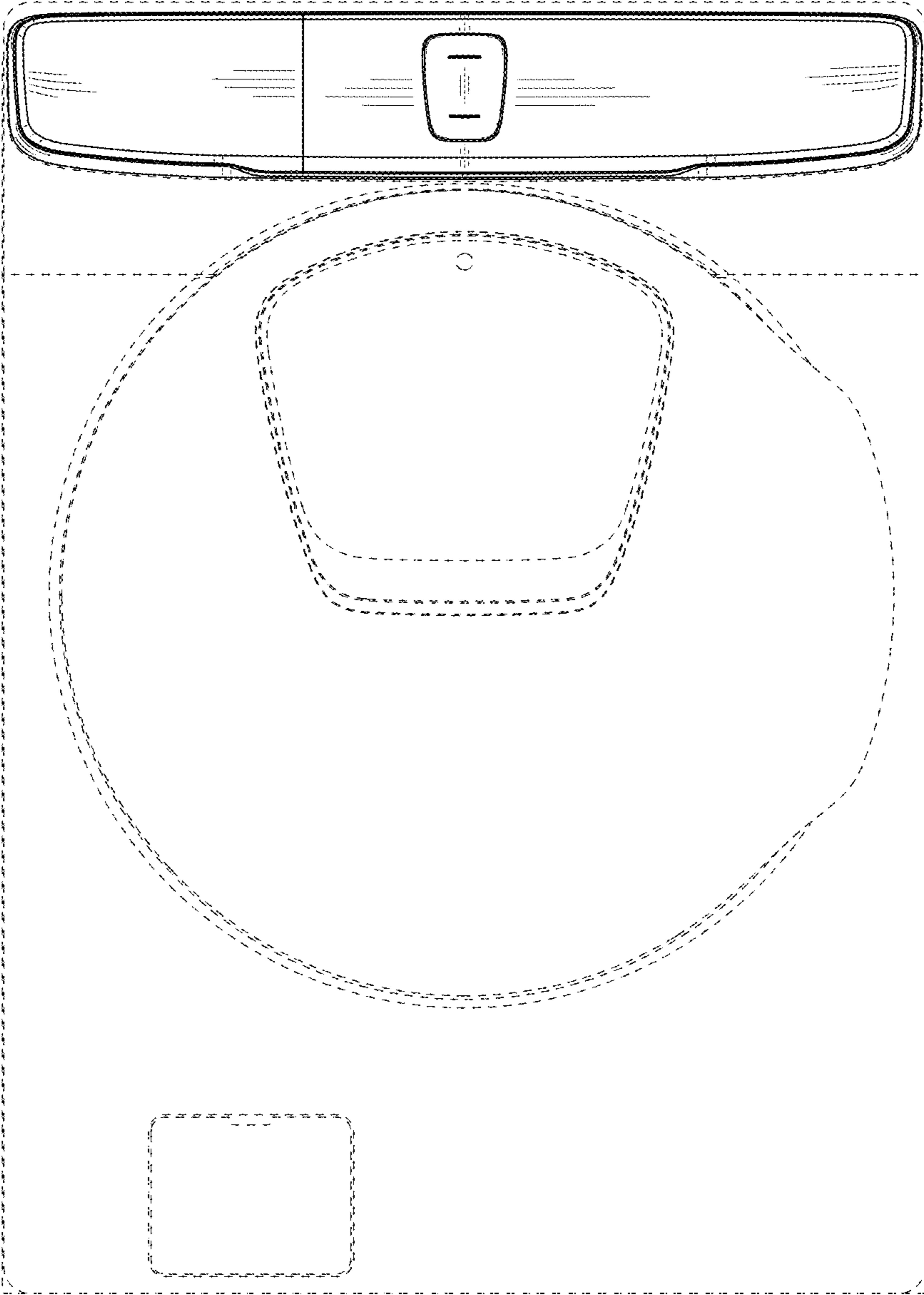


FIG. 3

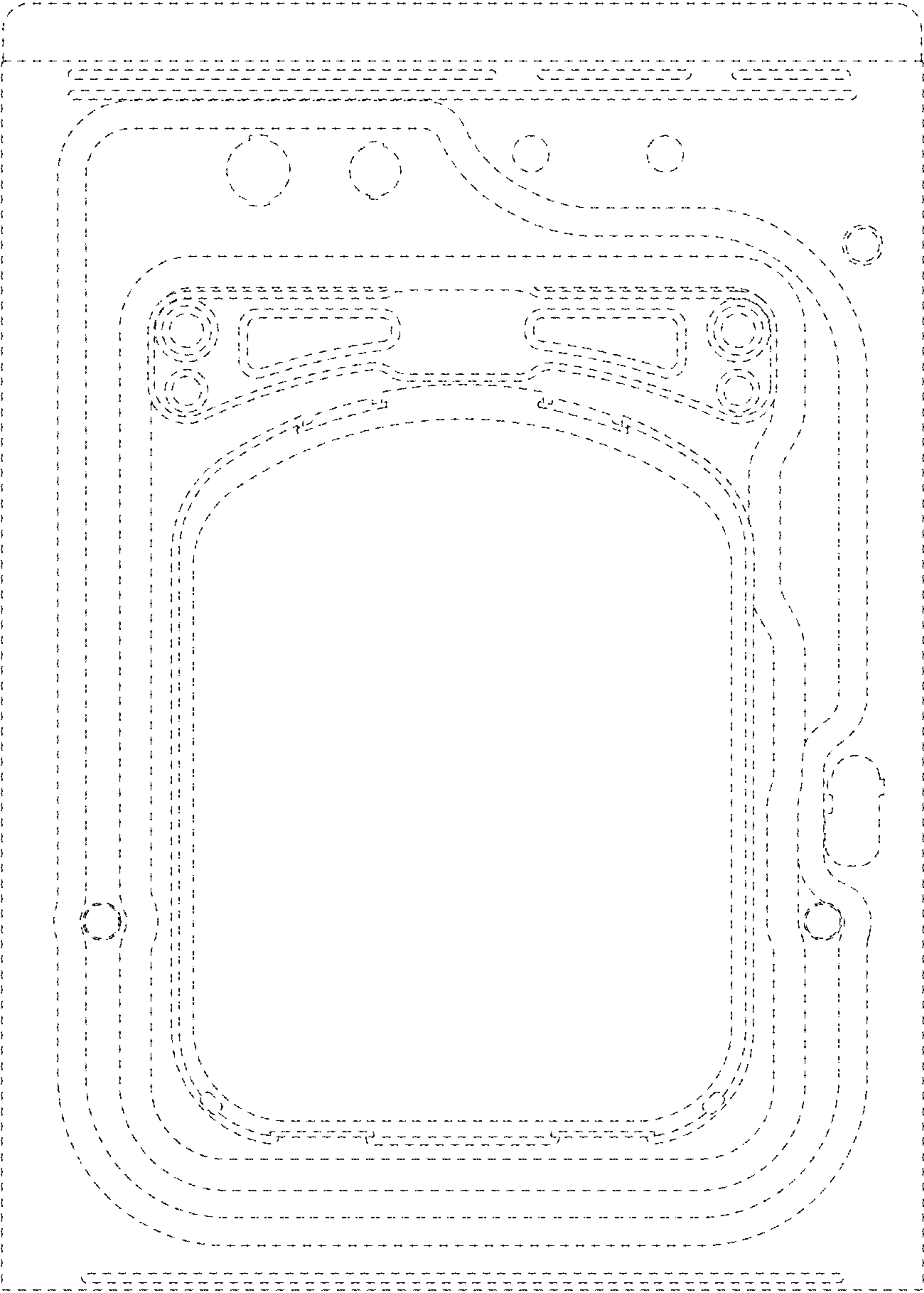


FIG. 4

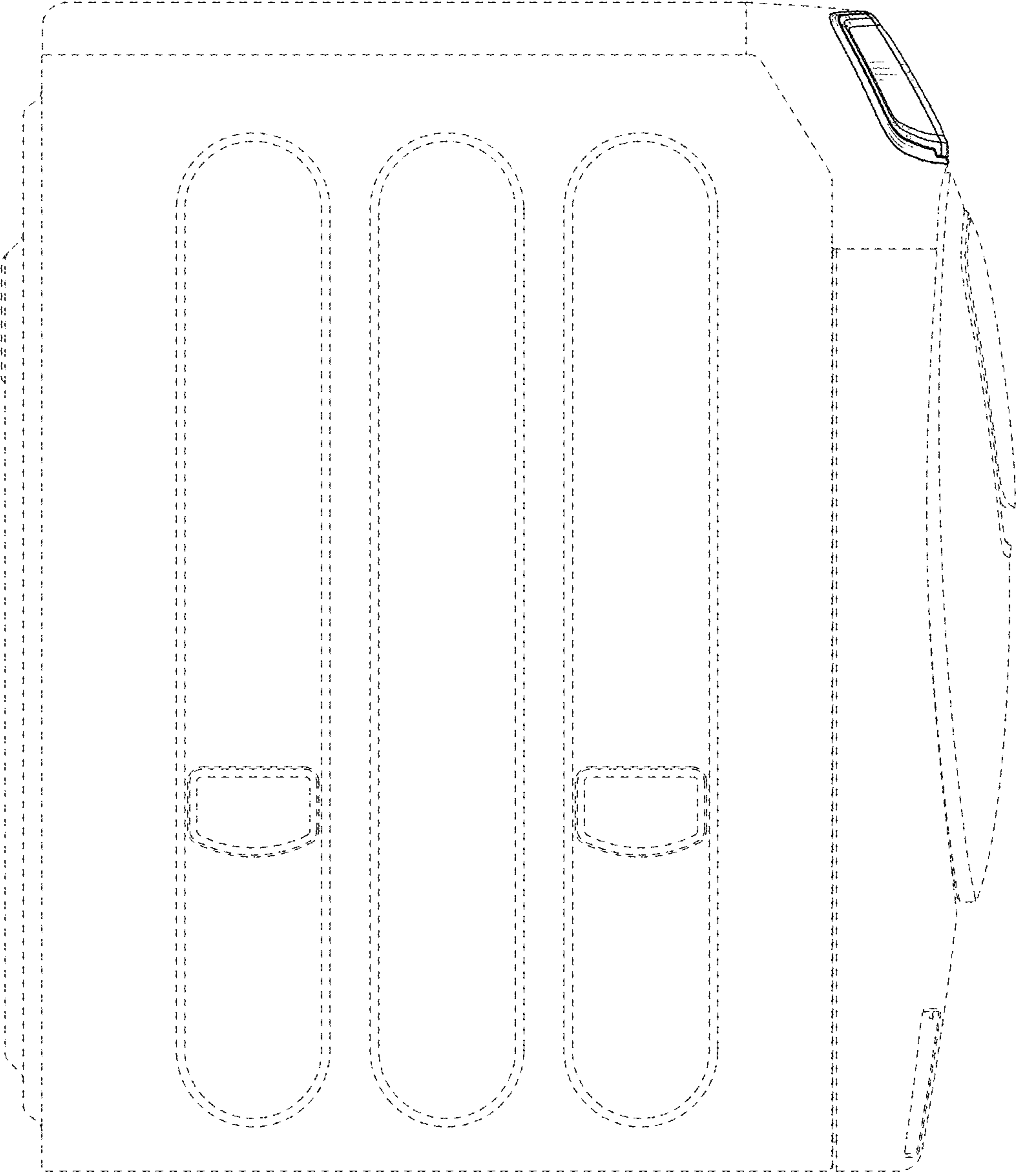


FIG. 5

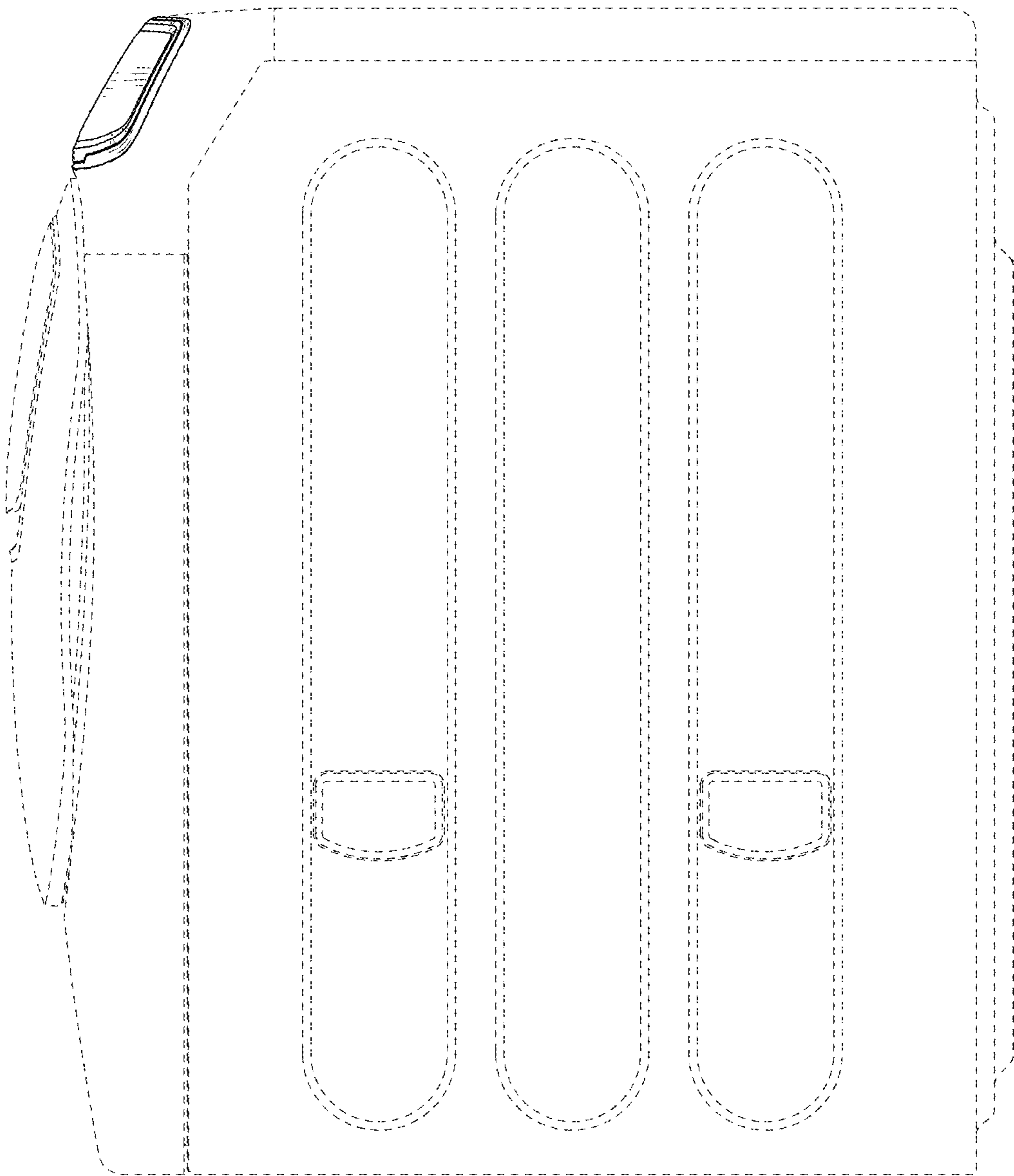


FIG. 6

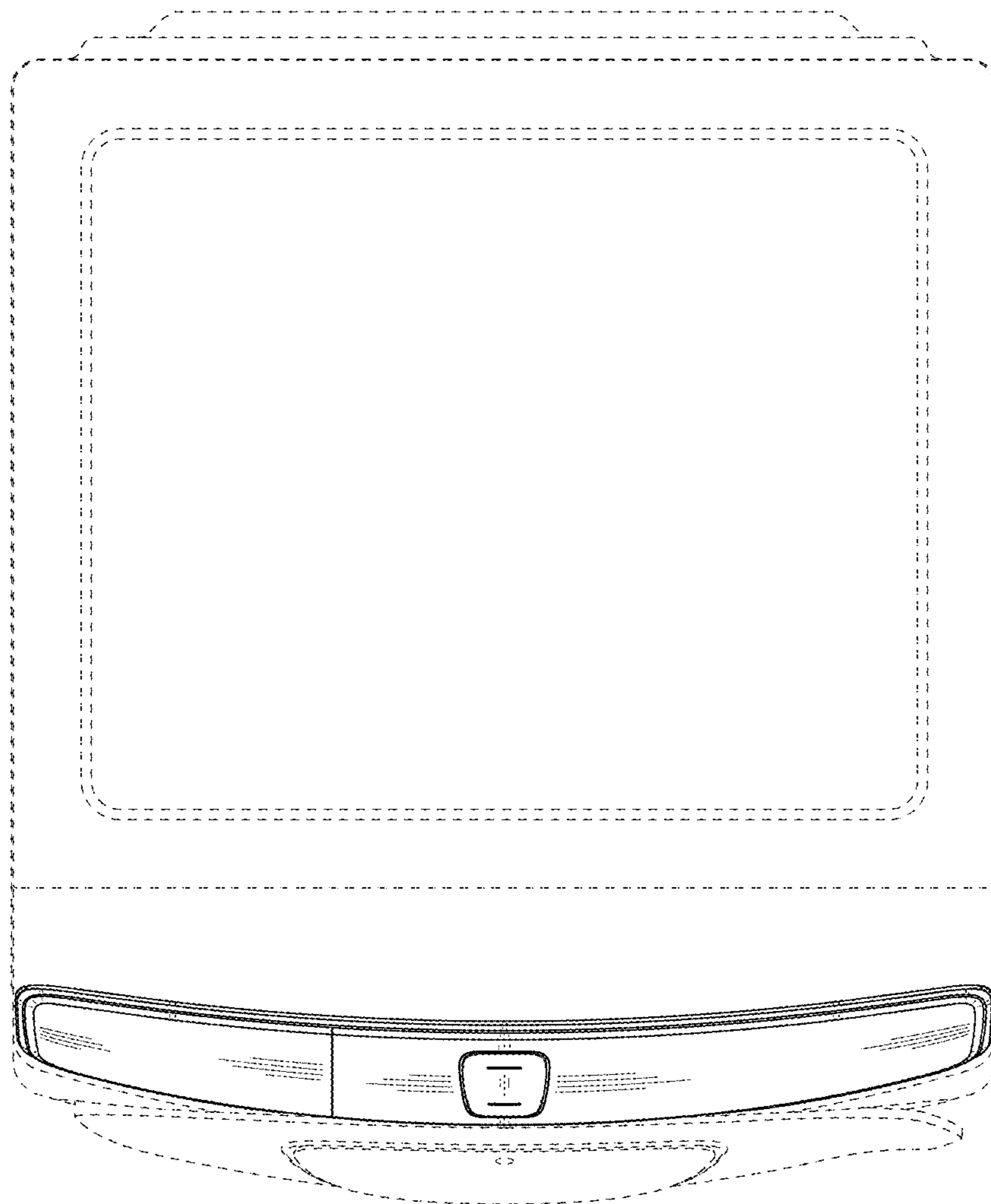


FIG. 7

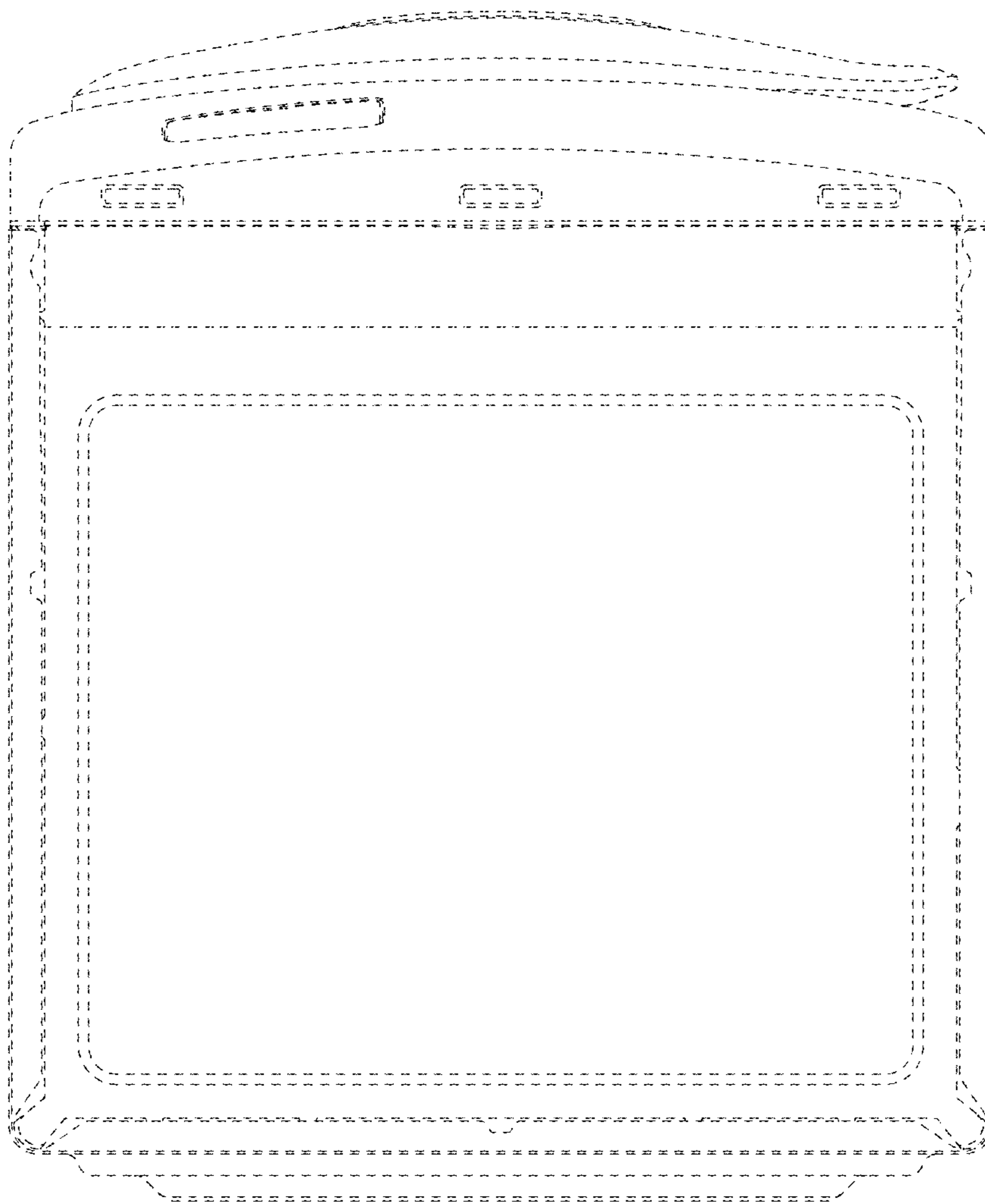




FIG. 8

