



US00D785880S

(12) **United States Design Patent**
Hwang et al.

(10) **Patent No.:** **US D785,880 S**

(45) **Date of Patent:** **** May 2, 2017**

(54) **WASHING MACHINE**

(71) Applicant: **Samsung Electronics Co., Ltd.**,
Suwon-si (KR)

(72) Inventors: **Junghoon Hwang**, Yongin-si (KR);
Deoksang Yun, Ansan-si (KR); **Yeonsu Kim**, Seoul (KR); **Wonchul Hwang**,
Seoul (KR)

(73) Assignee: **SAMSUNG ELECTRONICS CO., LTD.**,
Gyeonggi-Do (KR)

(**) Term: **15 Years**

(21) Appl. No.: **29/537,276**

(22) Filed: **Aug. 24, 2015**

(30) **Foreign Application Priority Data**

Feb. 24, 2015 (KR) 30-2015-0009305

(51) **LOC (10) Cl.** **15-05**

(52) **U.S. Cl.**
USPC **D32/25**

(58) **Field of Classification Search**
USPC D32/1-6, 8, 10, 25, 28; 312/228, 228.1,
312/236, 294, 326; 68/3 R, 5 R, 235 R,
68/196, 212; 34/108, 130-132, 595-597;
8/137
CPC D06F 39/022; D06F 39/028; D06F 39/14;
D06F 37/28; D06F 33/02; D06F 58/00;
D06F 58/02

See application file for complete search history.

(56) **References Cited**

U.S. PATENT DOCUMENTS

D557,467 S * 12/2007 Kwon D32/6
D694,967 S * 12/2013 Jeon D32/6

D698,508 S * 1/2014 Cho D32/25
D703,891 S * 4/2014 Chung D32/25
D731,132 S * 6/2015 Ha D32/28
D732,777 S * 6/2015 Ha D32/28
9,051,679 B2 * 6/2015 Kwon D06F 37/262
D746,006 S * 12/2015 Ha D32/25
9,200,841 B2 * 12/2015 Heo D06F 58/02
D753,353 S * 4/2016 Kim D32/6
2011/0088172 A1 * 4/2011 Im D06F 33/02
8/137
2014/0157526 A1 * 6/2014 Larmo D06F 39/003
8/137
2015/0020318 A1 * 1/2015 Seo D06F 23/02
8/137

(Continued)

Primary Examiner — Rosemary K Tarcza

Assistant Examiner — Yolanda Robinson

(74) *Attorney, Agent, or Firm* — Cantor Colburn LLP

(57) **CLAIM**

The ornamental design for a washing machine, as shown and described.

DESCRIPTION

FIG. 1 is a front-top perspective view of a washing machine, showing our new design;

FIG. 2 is a front view thereof;

FIG. 3 is a rear view thereof;

FIG. 4 is a side view thereof;

FIG. 5 is another side view thereof;

FIG. 6 is a top view thereof;

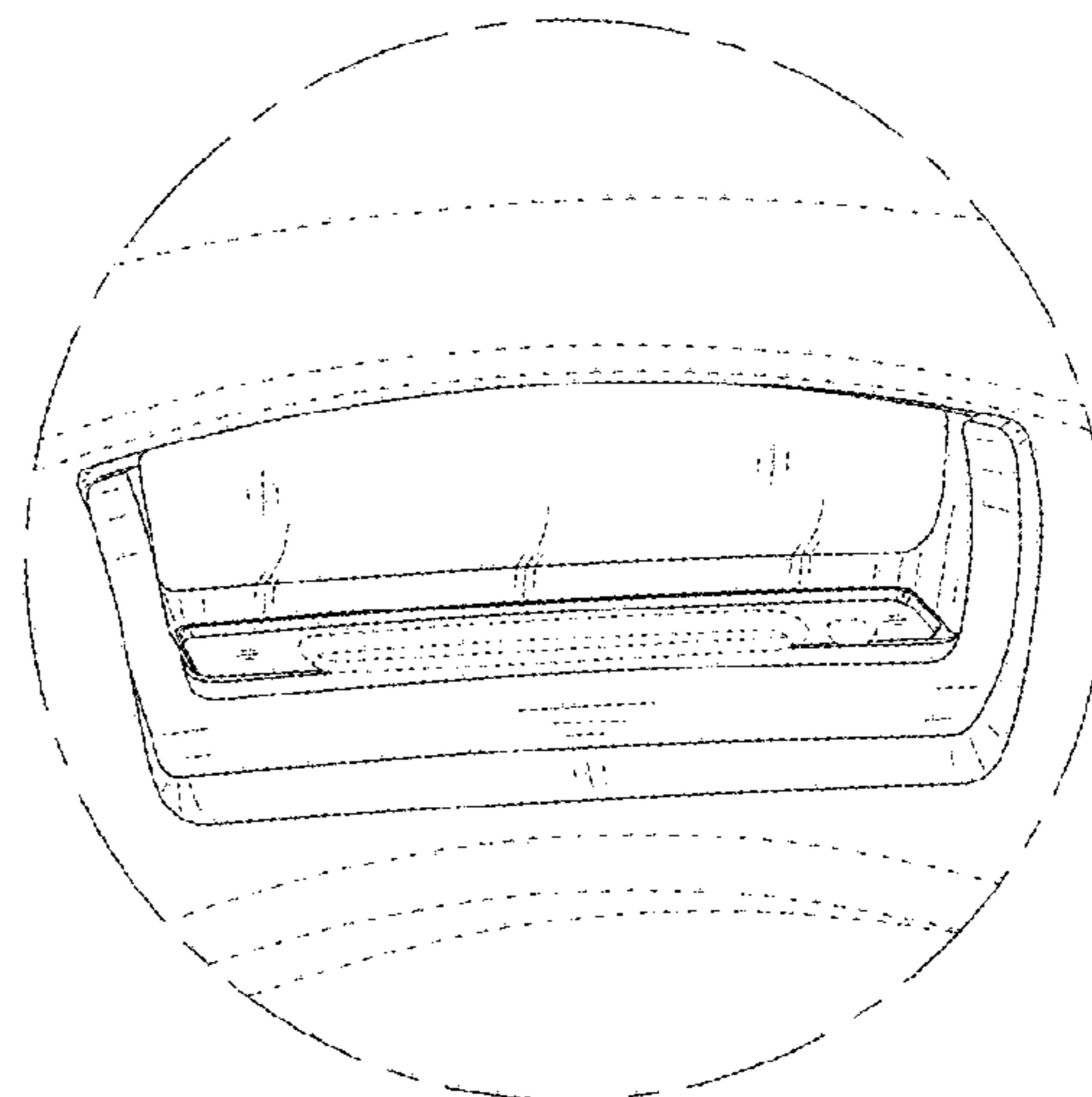
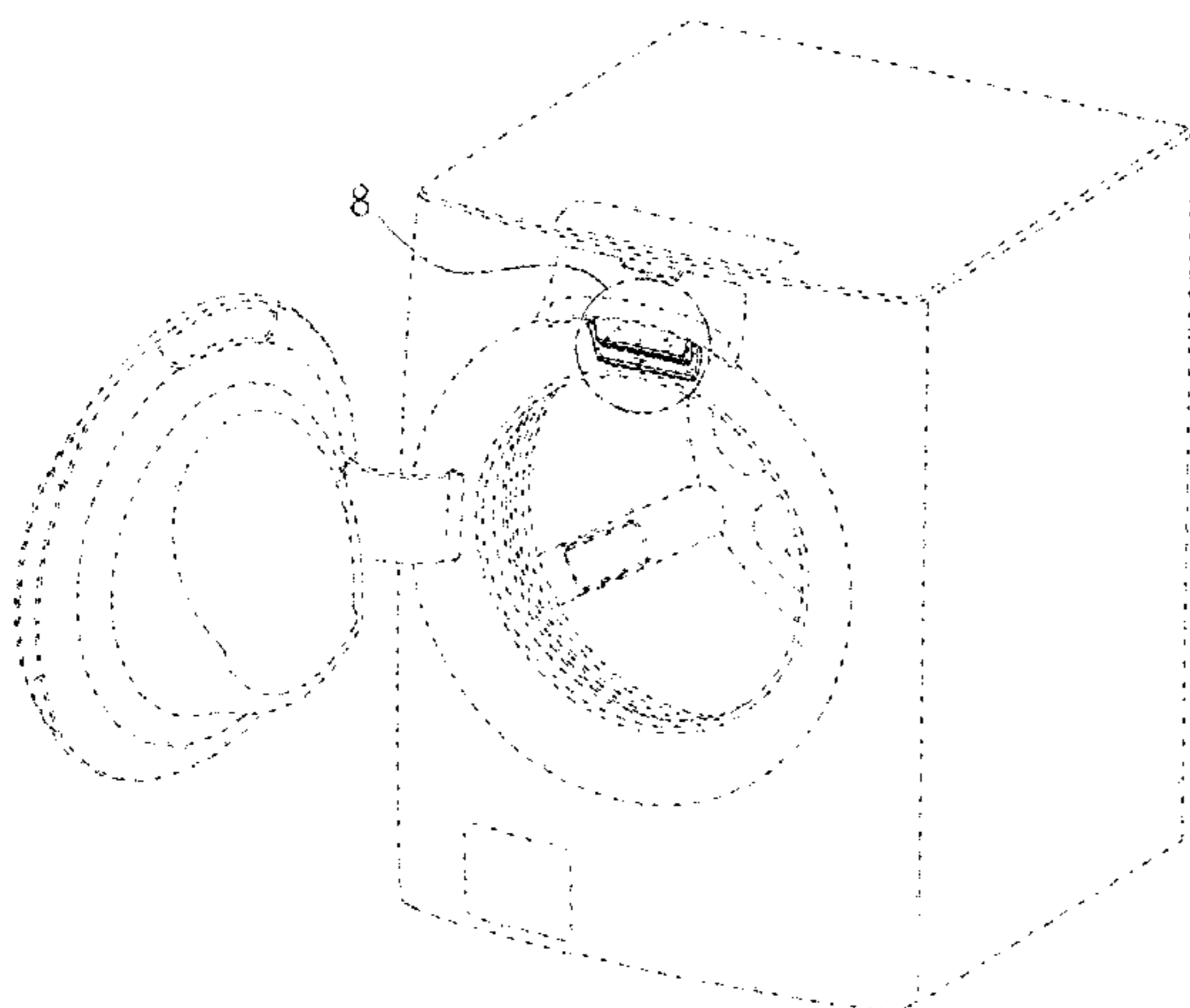
FIG. 7 is a bottom view thereof;

FIG. 8 is an enlarged view of the portion 8 of FIG. 1; and, FIG. 9 is an enlarged front-bottom perspective view thereof.

The broken lines illustrating portions of the washing machine are environmental purposes only and form no part of the claimed design.

The dot-dash broken lines encircling enlargement portions of the design form no part of the claimed design.

1 Claim, 9 Drawing Sheets



(56)

References Cited

U.S. PATENT DOCUMENTS

2016/0053422 A1* 2/2016 Im D06F 39/085
8/137
2016/0177492 A1* 6/2016 Pittalis D06F 39/087
68/9

* cited by examiner

FIG. 1

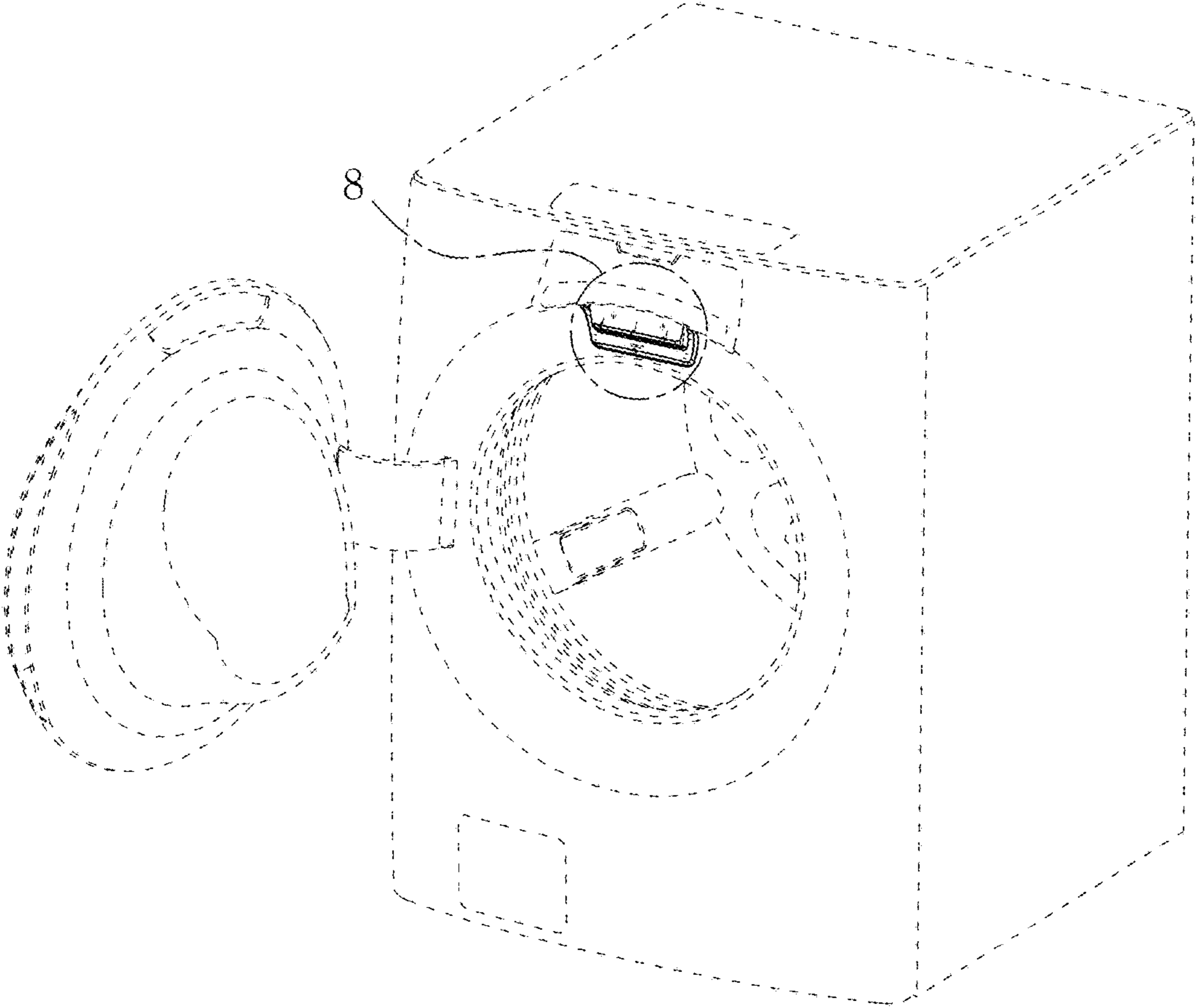


FIG. 2

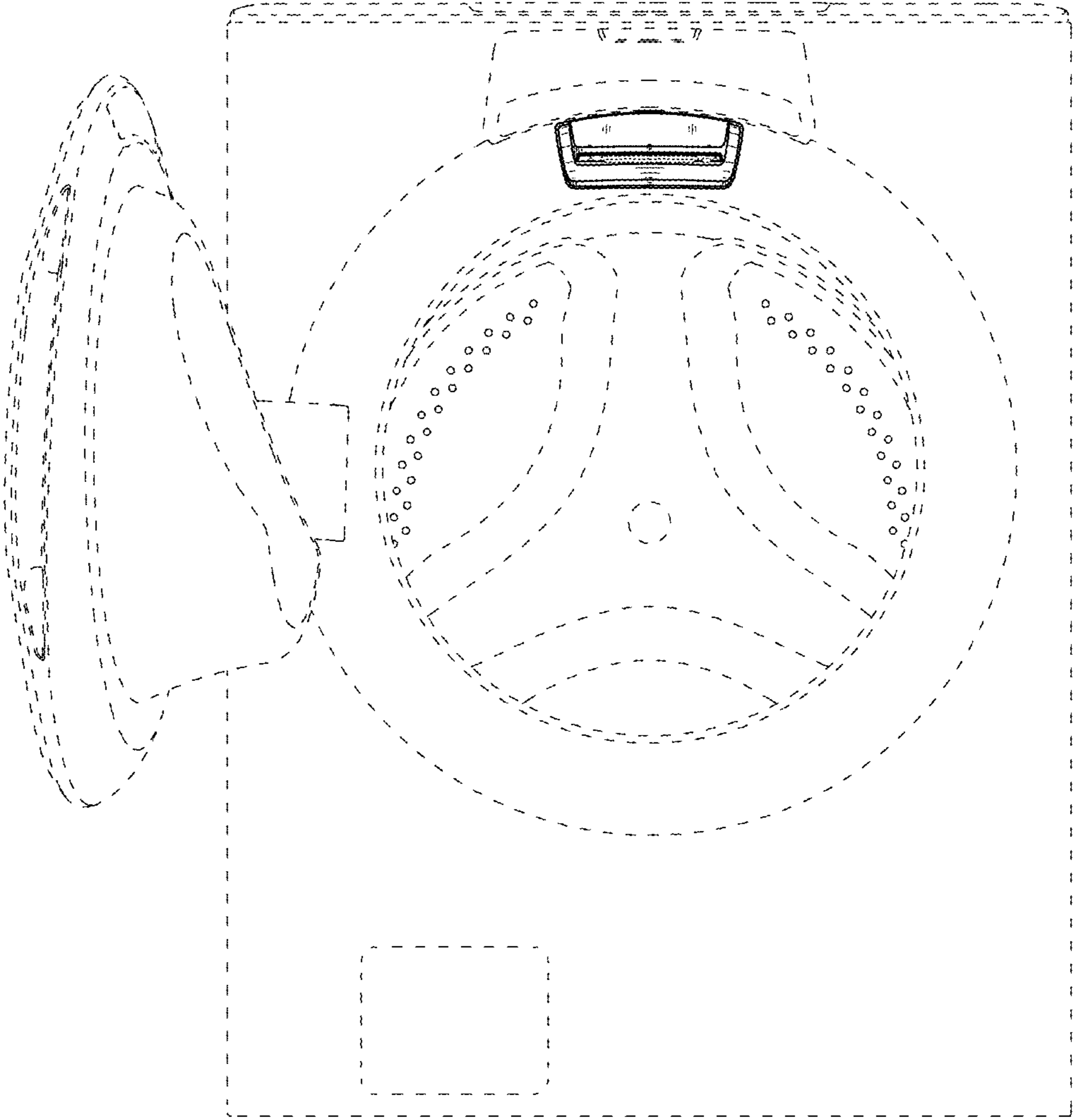


FIG. 3

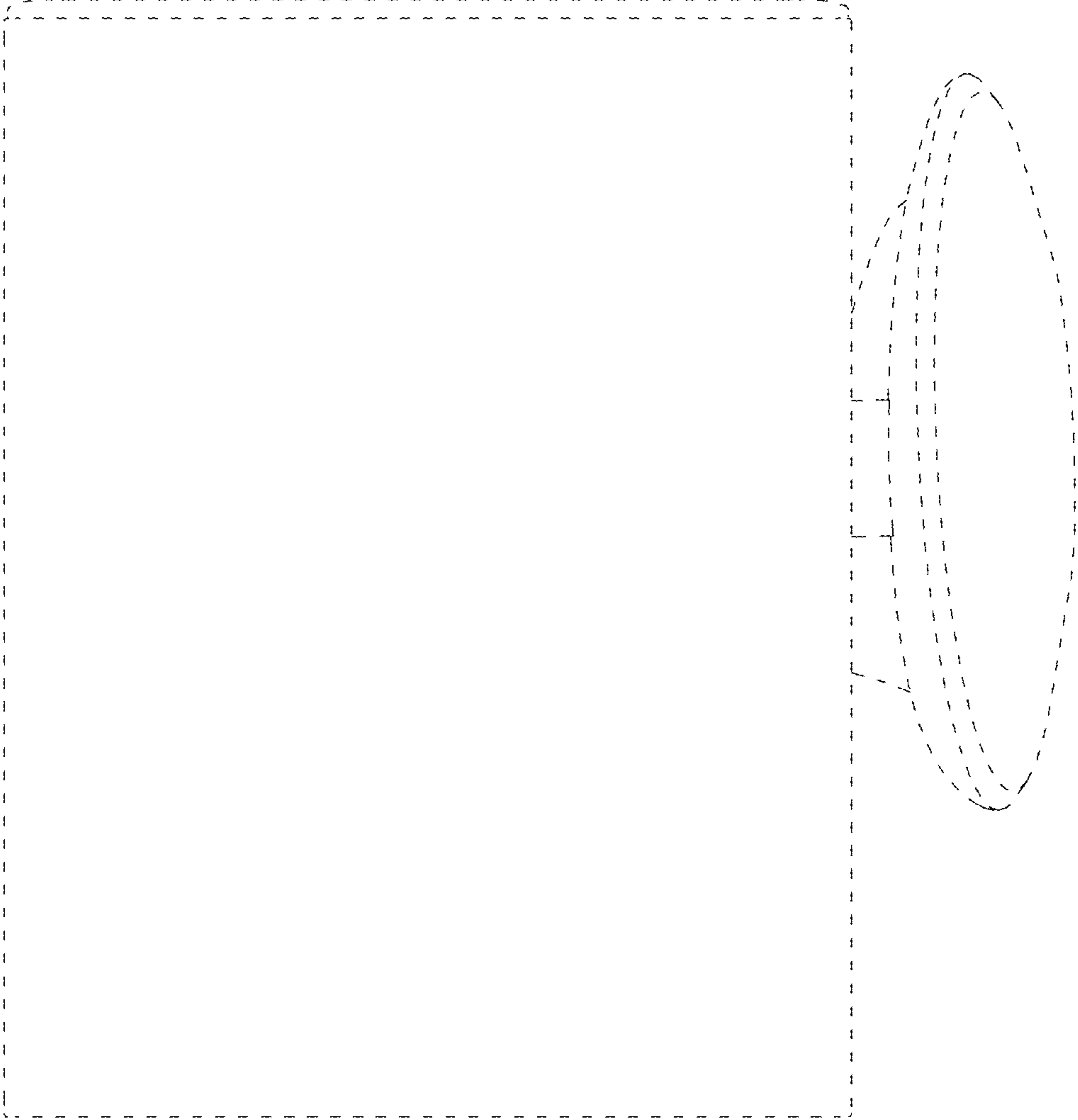


FIG. 4

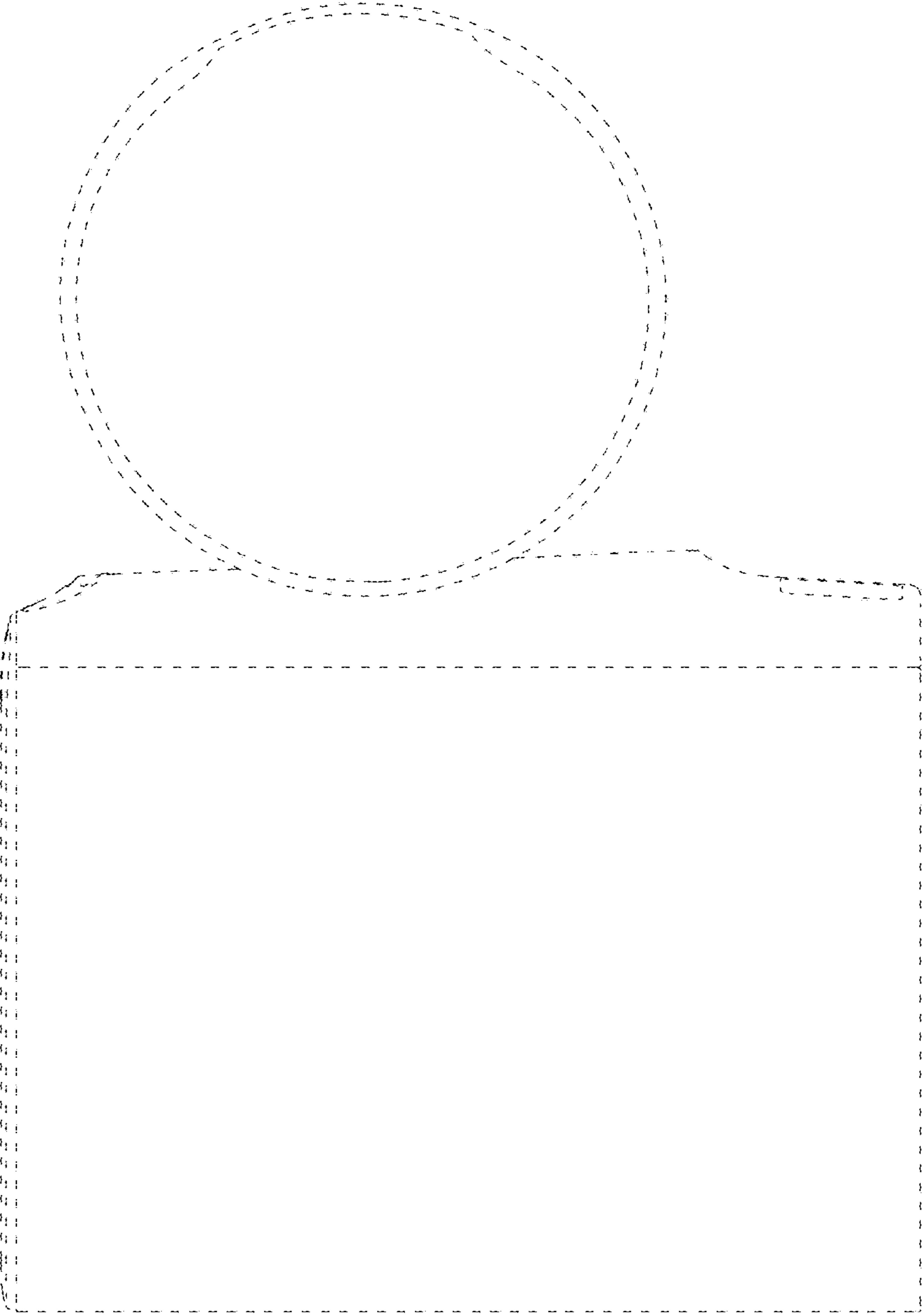


FIG. 5

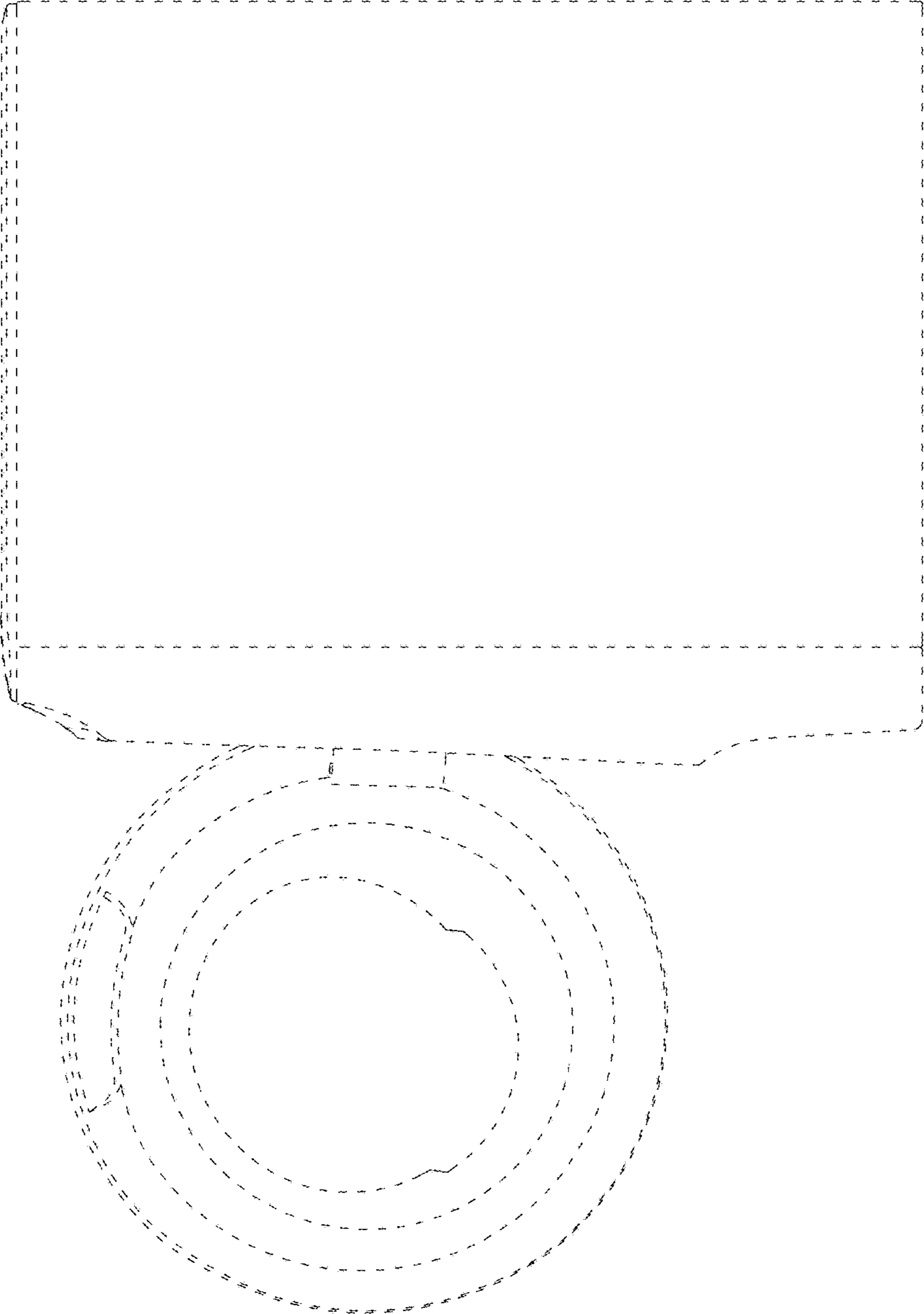


FIG. 6

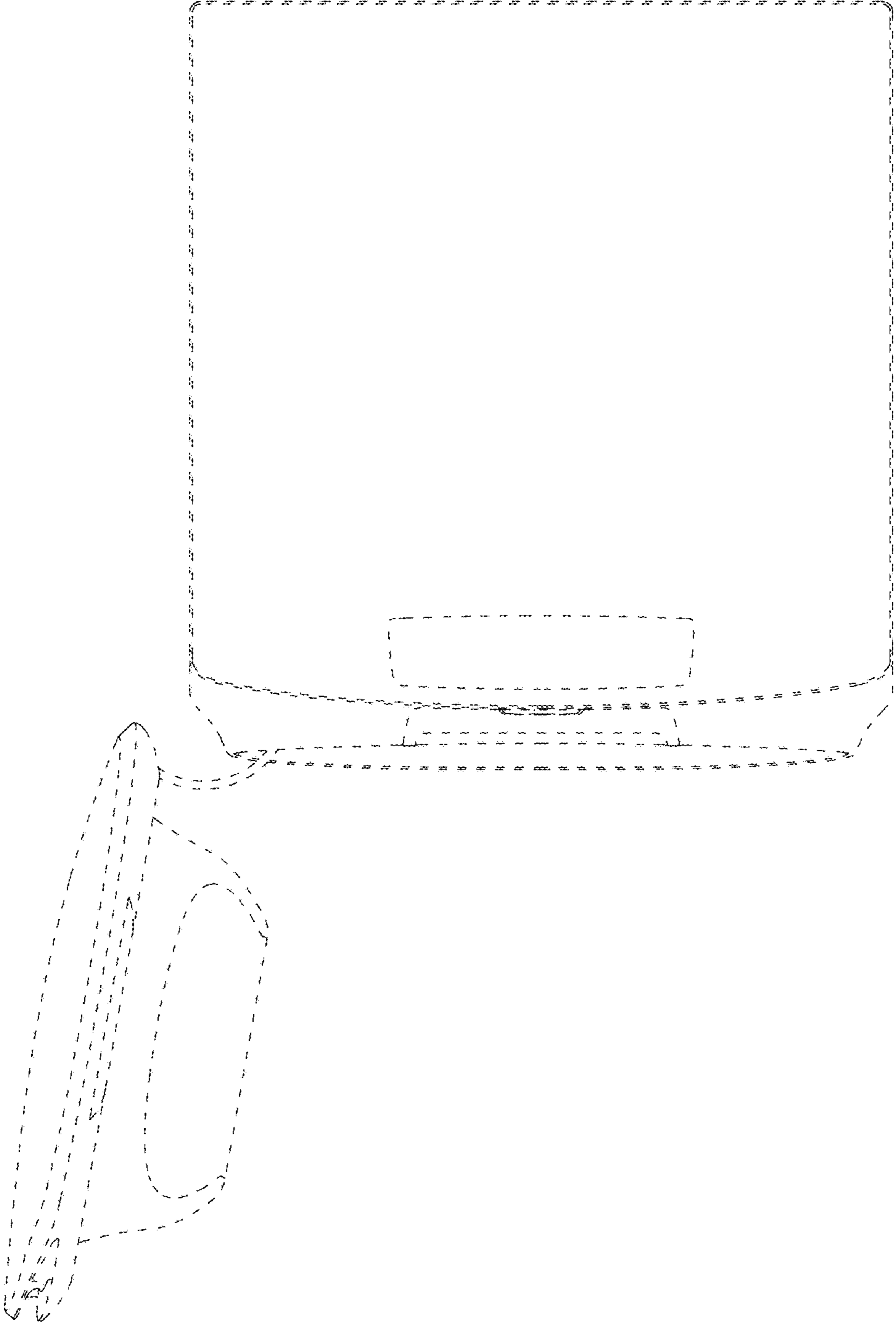


FIG. 7

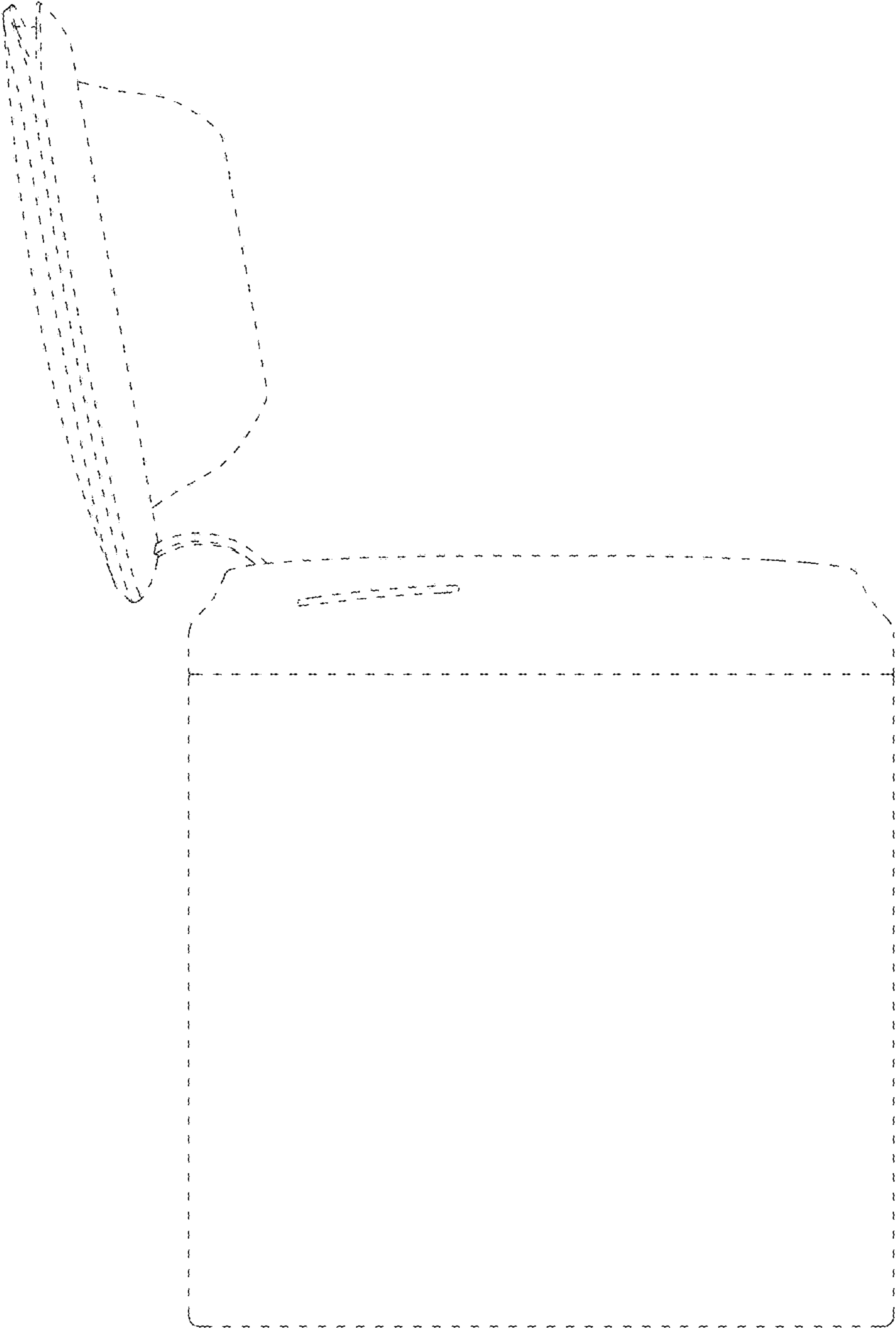


FIG. 8

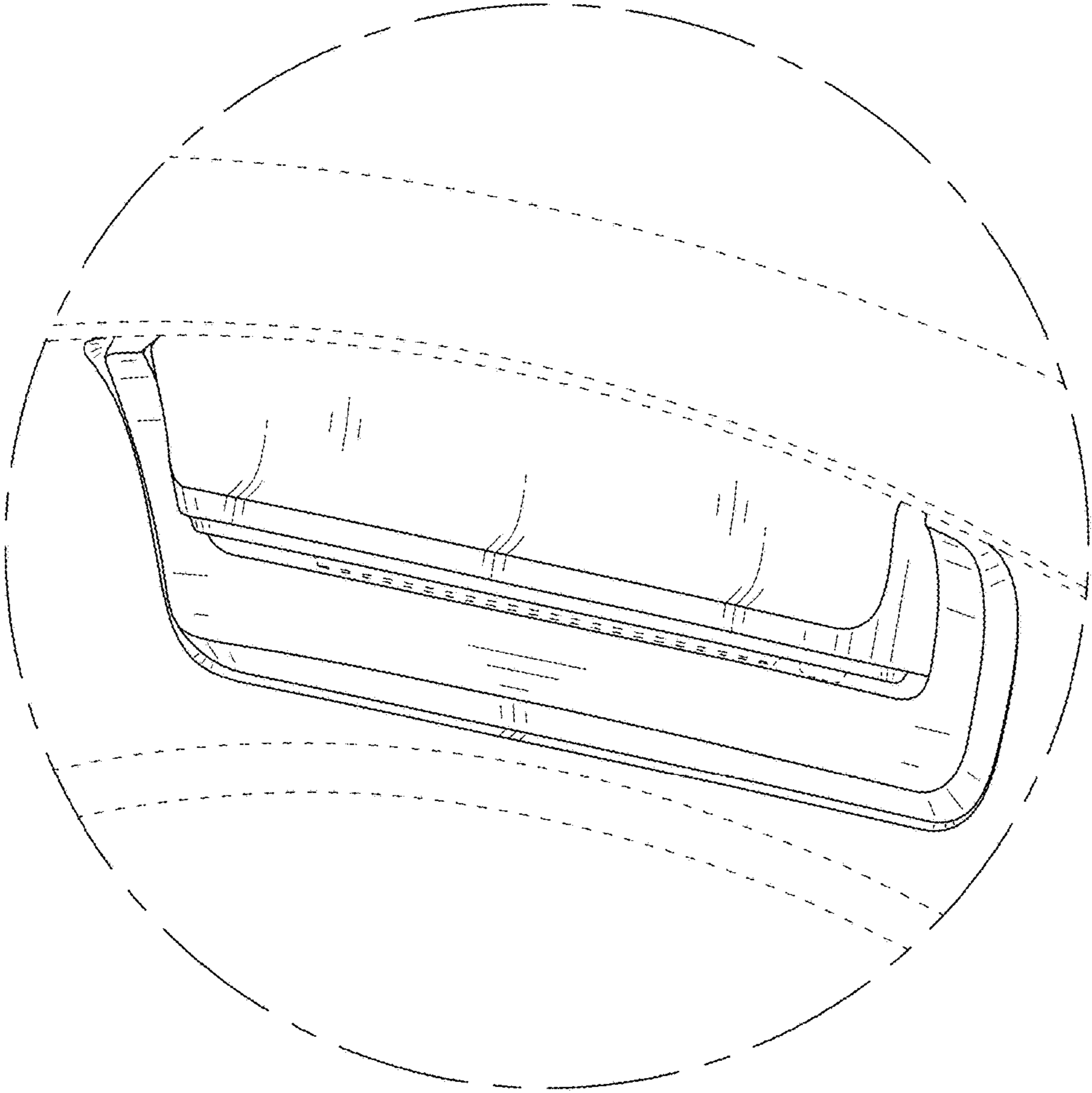


FIG. 9

