



US00D785879S

(12) **United States Design Patent** (10) **Patent No.:** **US D785,879 S**
Bu et al. (45) **Date of Patent:** **** May 2, 2017**

(54) **VACUUM CLEANER**

(71) Applicant: **Samsung Electronics Co., Ltd.**,
Suwon-si, Gyeonggi-do (KR)

(72) Inventors: **Minhyouk Bu**, Seoul (KR); **Sanghun Yoon**, Seoul (KR); **Jaewon Choi**, Seoul (KR)

(73) Assignee: **SAMSUNG ELECTRONICS CO., LTD.**, Suwon-si, Gyeonggi-Do (KR)

(**) Term: **15 Years**

(21) Appl. No.: **29/531,659**

(22) Filed: **Jun. 29, 2015**

(30) **Foreign Application Priority Data**

Jan. 21, 2015 (KR) 30-2015-0003227

(51) **LOC (10) Cl.** **15-05**

(52) **U.S. Cl.**
USPC **D32/21**

(58) **Field of Classification Search**
USPC D32/21-22, 31, 34, 25
CPC A47L 11/34; A47L 11/29; A47L 11/30;
A47L 7/0019; A47L 7/0004; A47L
7/0023; A47L 9/00; A47L 9/1409; A47L
5/36-5/367

See application file for complete search history.

(56) **References Cited**

U.S. PATENT DOCUMENTS

D378,152 S *	2/1997	deBlois	D32/21
D503,251 S *	3/2005	Christianson	D32/21
D573,760 S *	7/2008	Lam	D32/25
D630,808 S *	1/2011	Dye	D32/21
D630,809 S *	1/2011	Dye	D32/21

* cited by examiner

Primary Examiner — Ruth McNroy

(74) *Attorney, Agent, or Firm* — Ladas & Parry LLP

(57) **CLAIM**

We claim the ornamental design for a vacuum cleaner, as shown and described.

DESCRIPTION

FIG. 1 is the front perspective view of a vacuum cleaner showing our new design;
 FIG. 2 is the front view thereof;
 FIG. 3 is the rear view thereof;
 FIG. 4 is the left-side view thereof;
 FIG. 5 is the right-side view thereof;
 FIG. 6 is the top plan view thereof;
 FIG. 7 is the bottom plan view thereof;
 FIG. 8 is the rear perspective view thereof; and,
 FIG. 9 is the bottom-rear perspective view thereof.
 The broken lines in the drawing show unclaimed environment only and form no part of the claimed design.

1 Claim, 9 Drawing Sheets

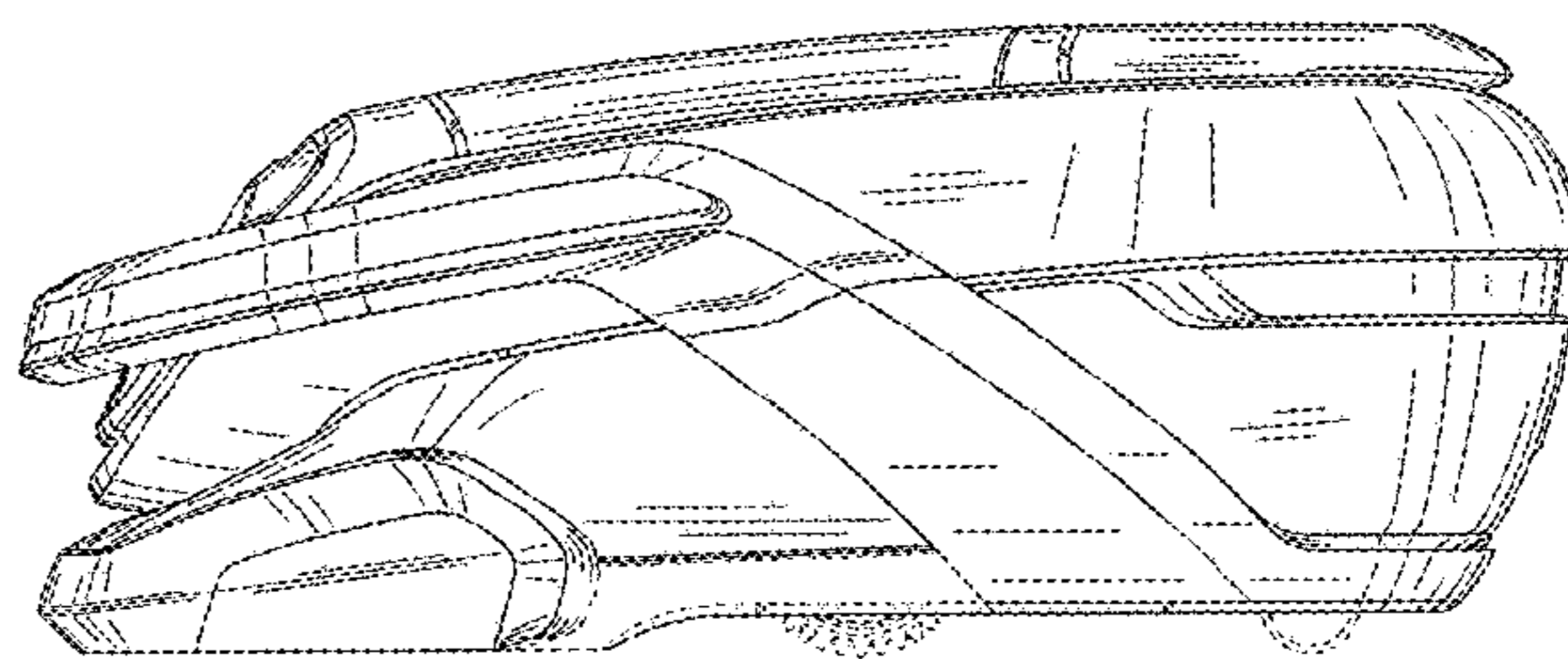
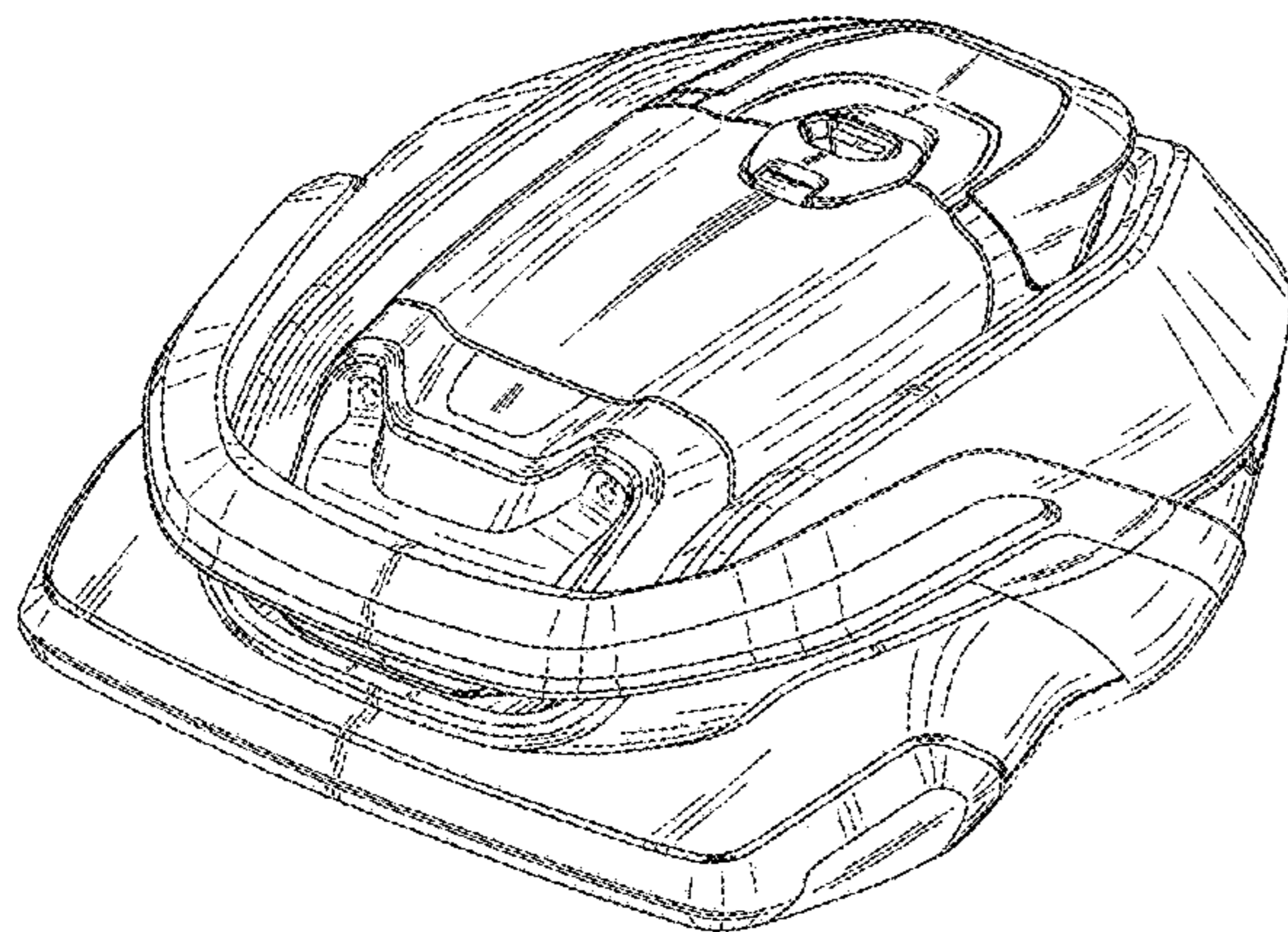


FIG. 1

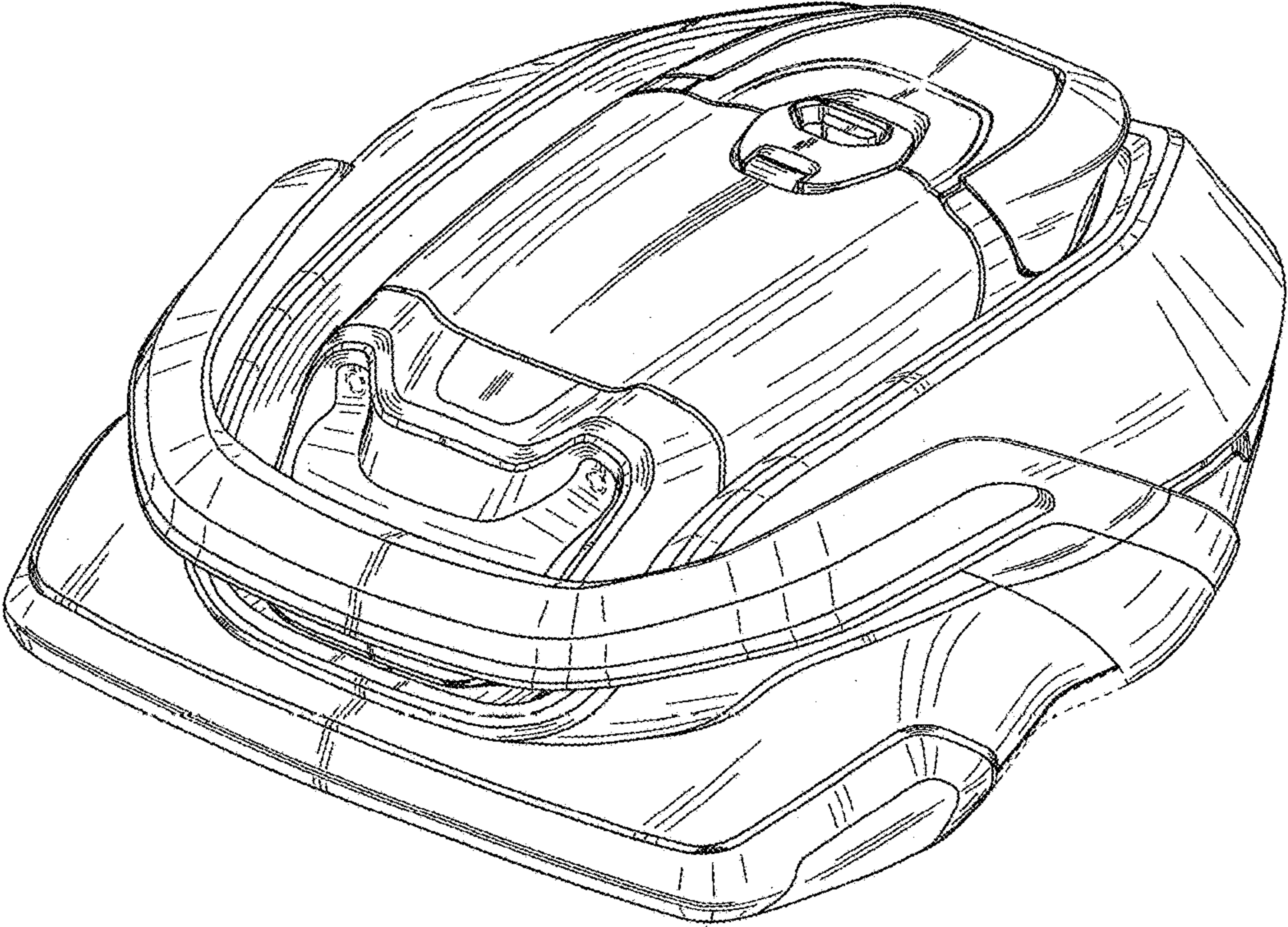


FIG. 2

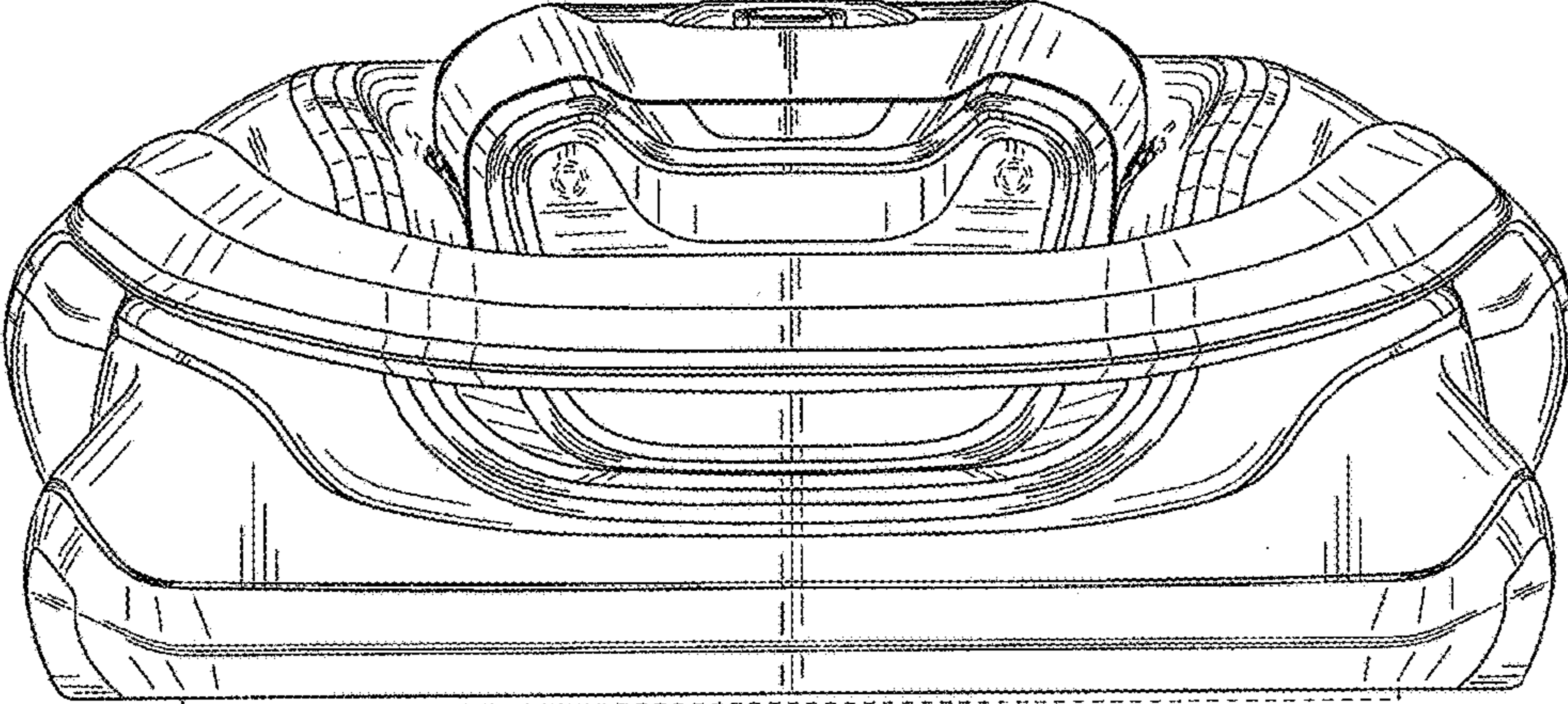


FIG. 3

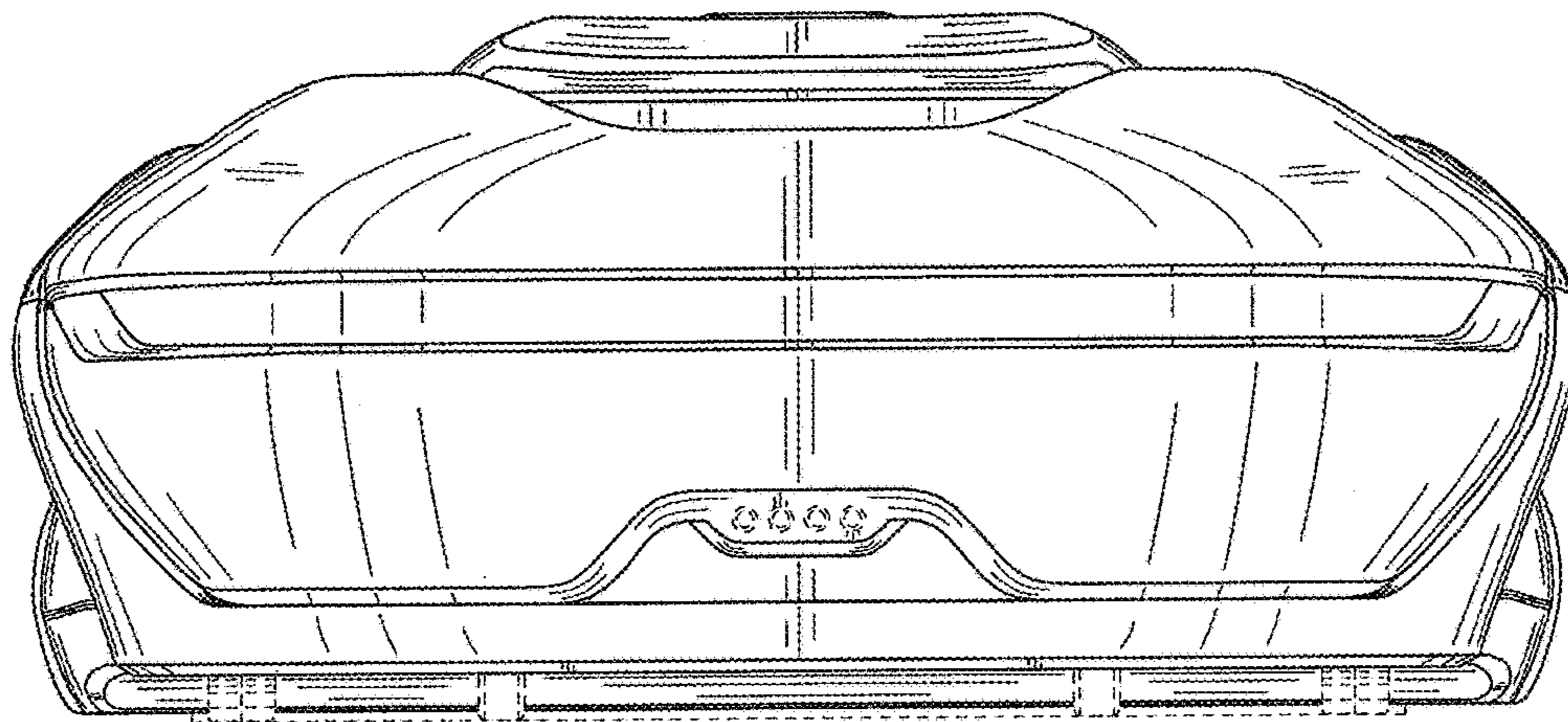


FIG. 4

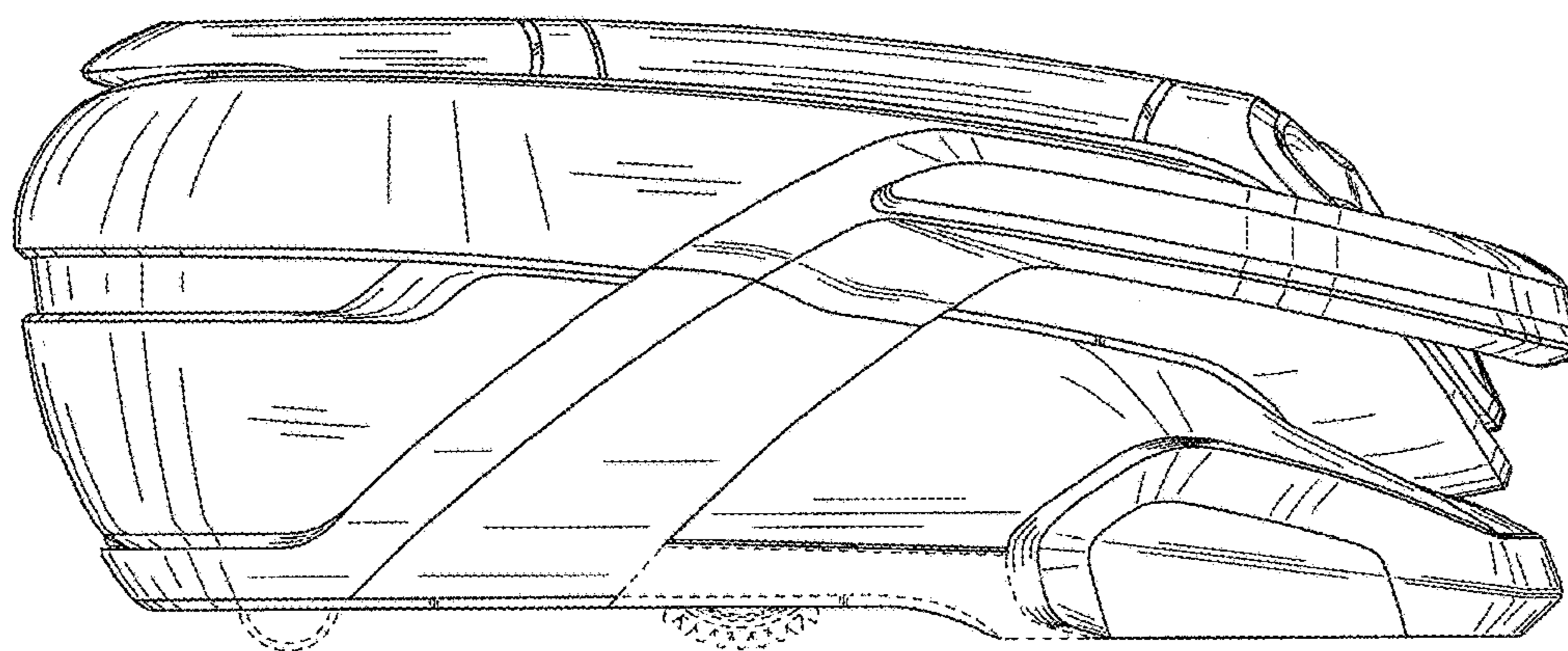


FIG. 5

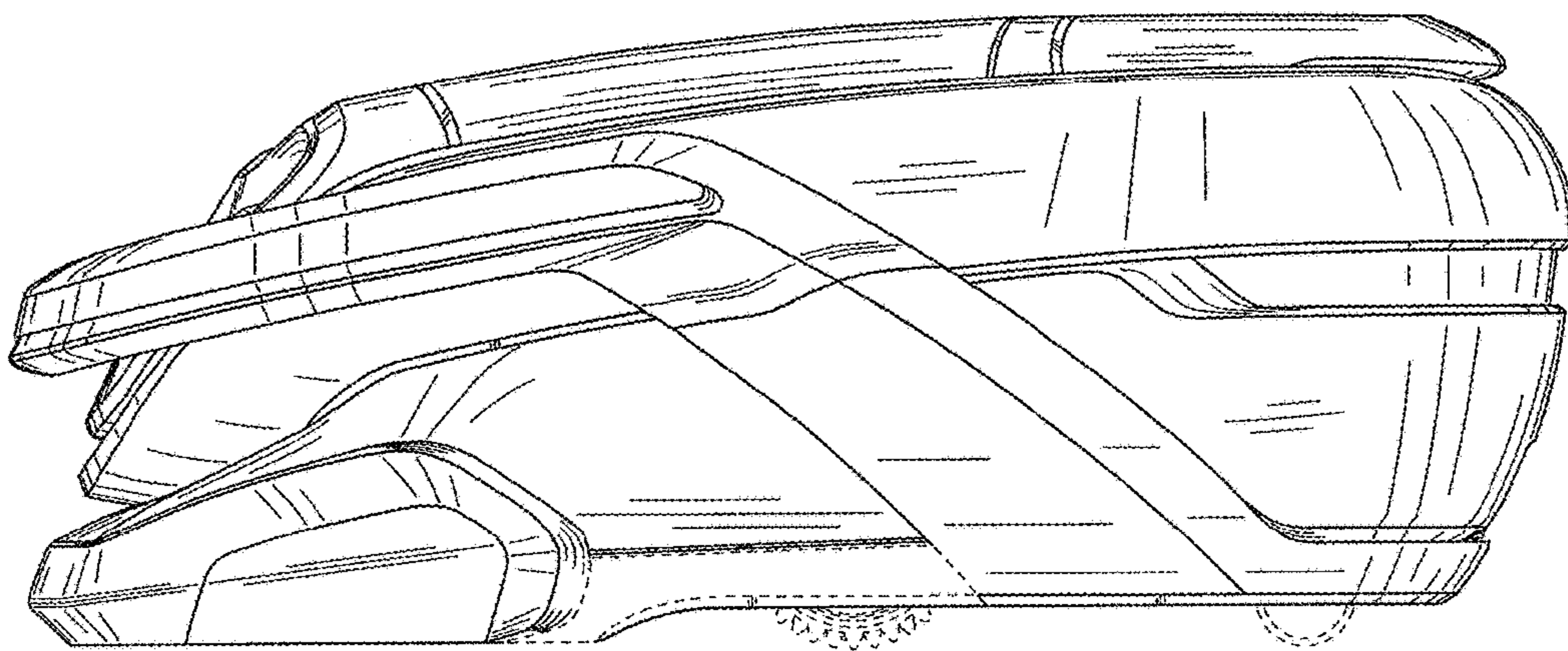


FIG. 6

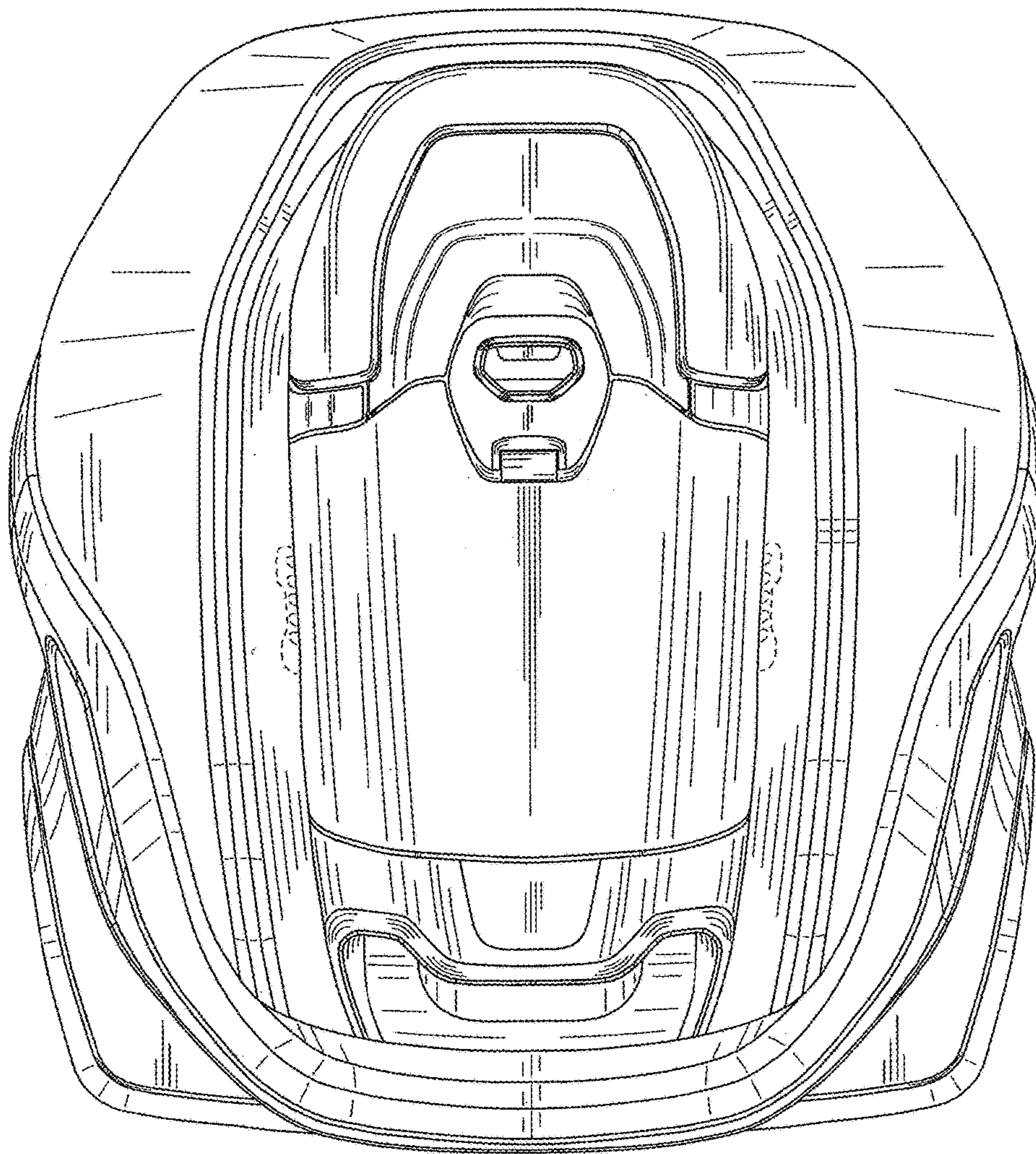


FIG. 7

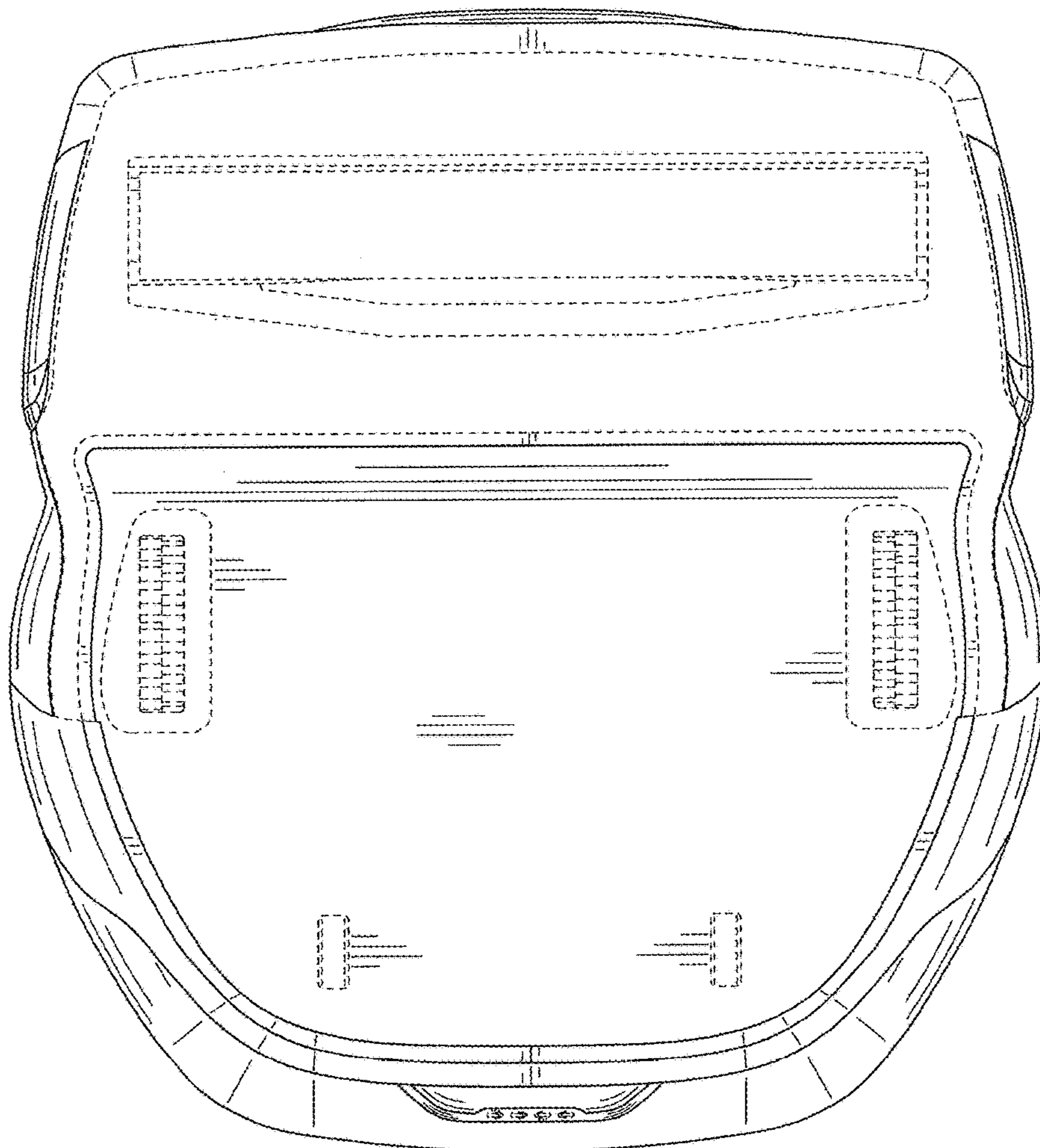


FIG. 8

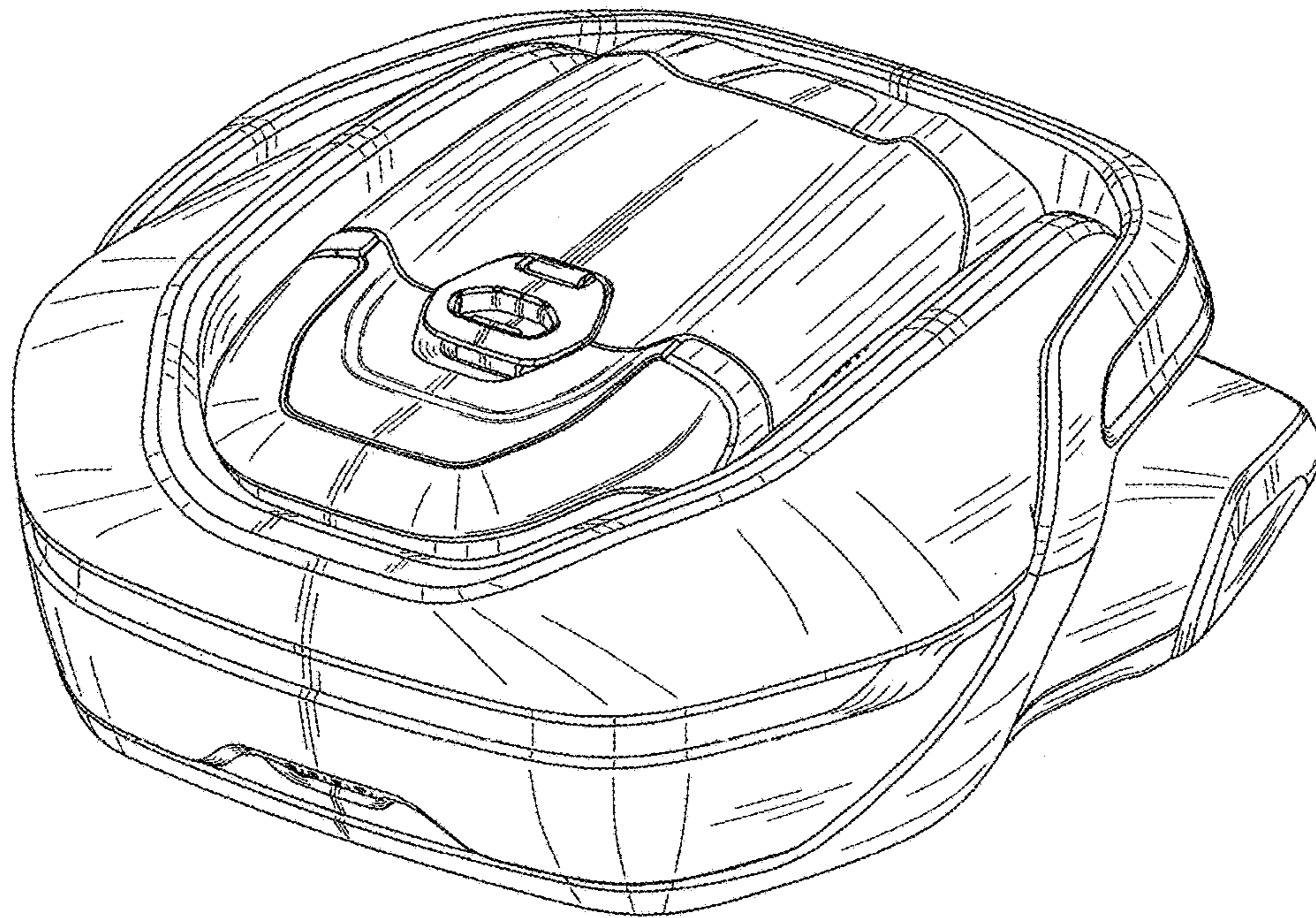


FIG. 9

