



US00D785878S

(12) **United States Design Patent**
Kjaergaard et al.

(10) **Patent No.:** **US D785,878 S**

(45) **Date of Patent:** **** May 2, 2017**

(54) **VACUUM CLEANER**

(71) Applicant: **Nilfisk A/S**, Broendby (DK)

(72) Inventors: **Christian Thorup Kjaergaard**, Hadsund (DK); **Malene Kappel**, Copenhagen K (DK); **Anthony Evans**, Kastrup (DK); **Henrik Jeppesen**, Holte (DK); **Berker Diker**, Copenhagen NV (DK); **Kalle Nordbo**, Roskilde (DK); **Richard Morgan Hickmott**, Helsingoer (DK)

(73) Assignee: **NILFISK A/S**, Broendby (DK)

(**) Term: **15 Years**

(21) Appl. No.: **29/527,859**

(22) Filed: **May 22, 2015**

(51) **LOC (10) Cl.** **15-05**

(52) **U.S. Cl.**
USPC **D32/21**

(58) **Field of Classification Search**
USPC D32/21-22, 31, 34, 25
CPC A47L 11/34; A47L 11/29; A47L 11/30;
A47L 7/0019; A47L 7/0004; A47L
7/0023; A47L 9/00; A47L 9/1409; A47L
5/36-5/367
See application file for complete search history.

(56) **References Cited**

U.S. PATENT DOCUMENTS

D311,614 S * 10/1990 Hirano D32/21
D316,767 S * 5/1991 Suh D32/21

D322,339 S * 12/1991 Stutzer D32/21
D322,340 S * 12/1991 Stutzer D32/21
D325,269 S * 4/1992 Kohler D32/21
D568,008 S * 4/2008 Grey D32/21
D581,112 S * 11/2008 Baek D32/21
D599,512 S * 9/2009 Lee D32/21
D601,315 S * 9/2009 Lee D32/21
D712,604 S * 9/2014 Jaeho D32/21
D718,910 S * 12/2014 Svantesson D32/21
D762,026 S * 7/2016 Tyler D32/21

* cited by examiner

Primary Examiner — Ruth McInroy

(74) *Attorney, Agent, or Firm* — Abelman, Frayne & Schwab

(57) **CLAIM**

The ornamental design for a vacuum cleaner, as shown and described.

DESCRIPTION

FIG. 1 is a top, front, right side perspective view of a vacuum cleaner showing our new design; FIG. 2 is a front elevational view thereof; FIG. 3 is a right side elevational view thereof; FIG. 4 is a left side elevational view thereof; FIG. 5 is a top plan view thereof; FIG. 6 is a rear elevational view thereof; FIG. 7 is a top, rear, right side perspective view thereof; and, FIG. 8 is a top, rear, left side perspective view thereof. The features shown in broken lines are included for environmental purposes and form no part of the claimed design.

1 Claim, 8 Drawing Sheets

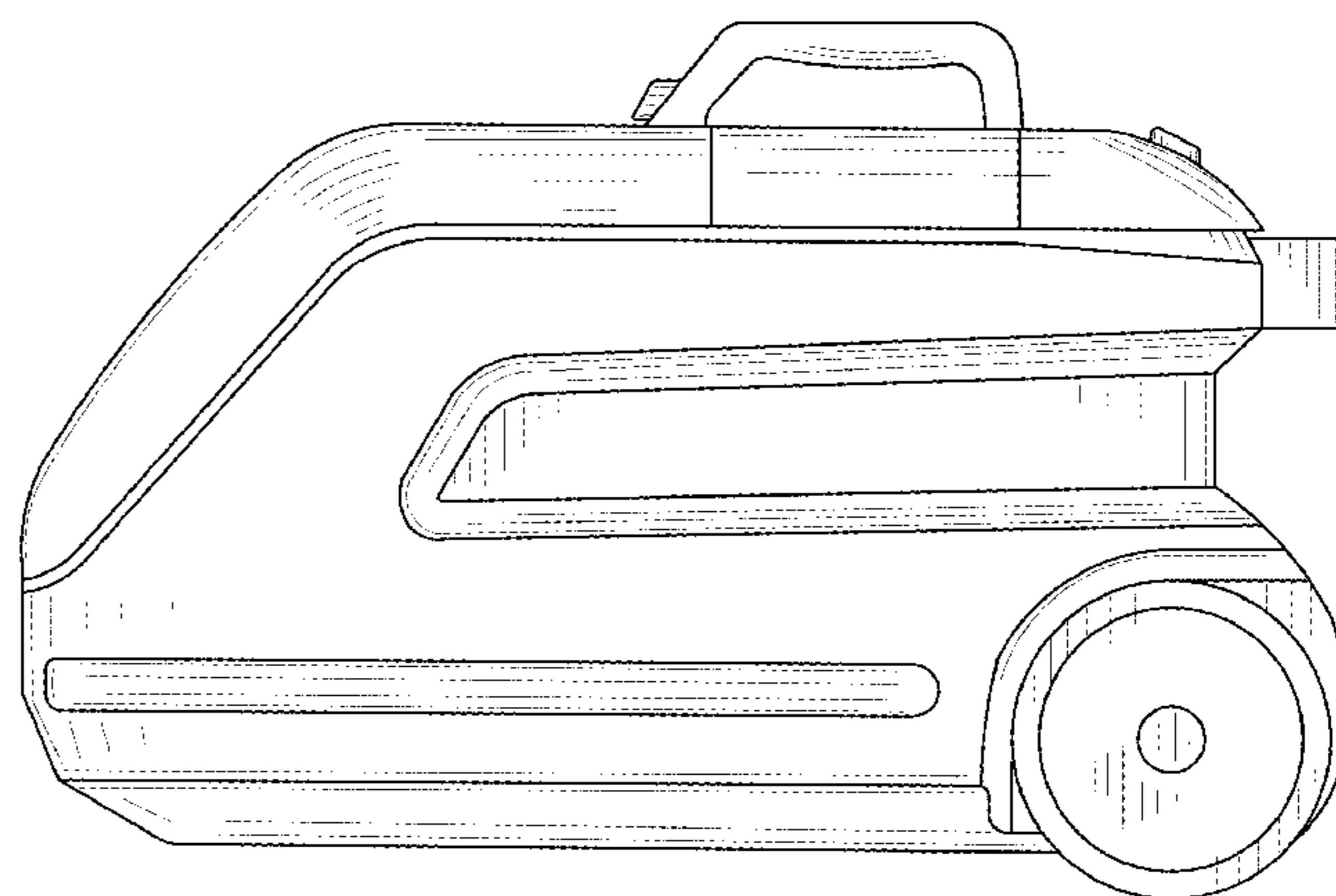
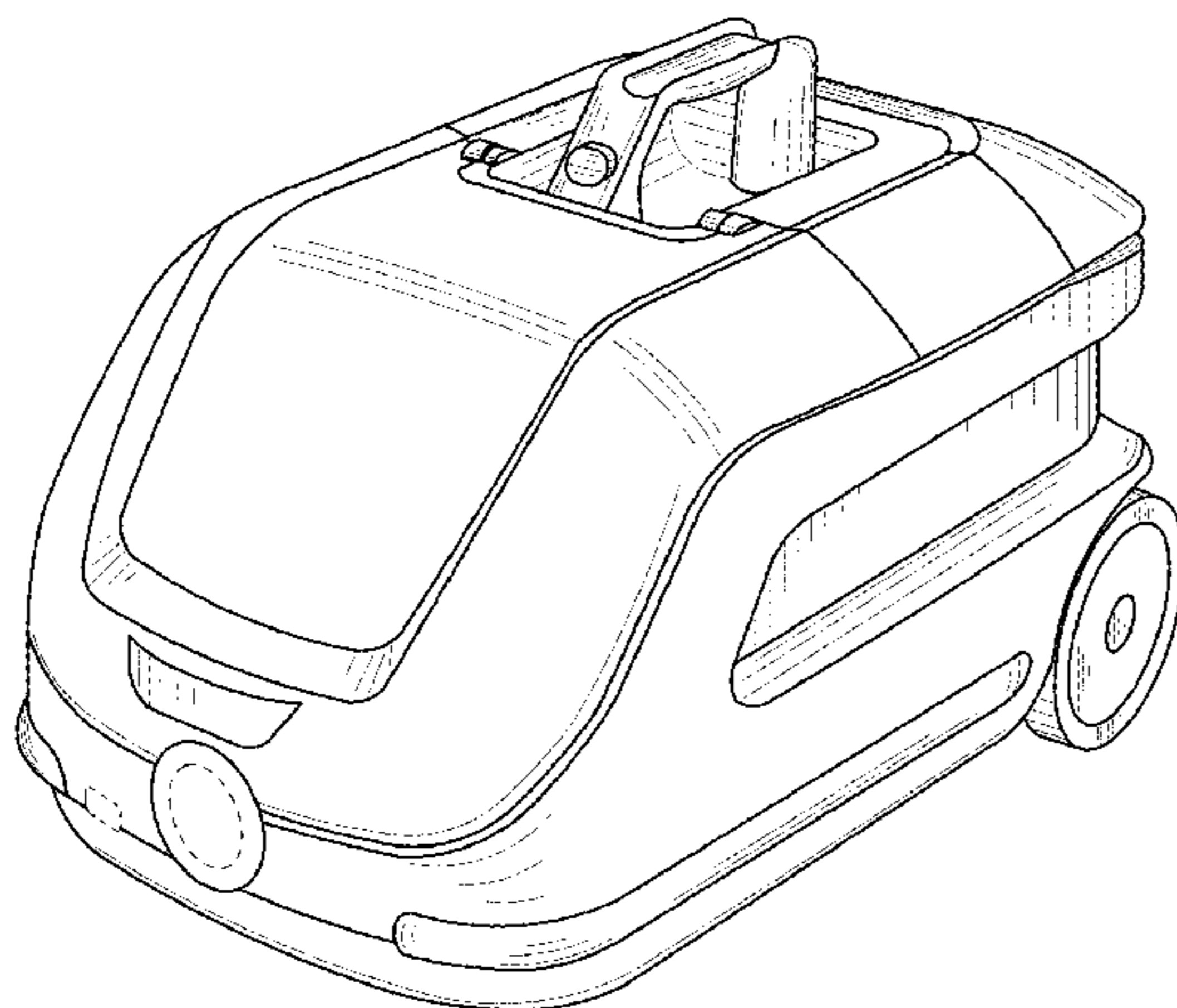


FIG. 1

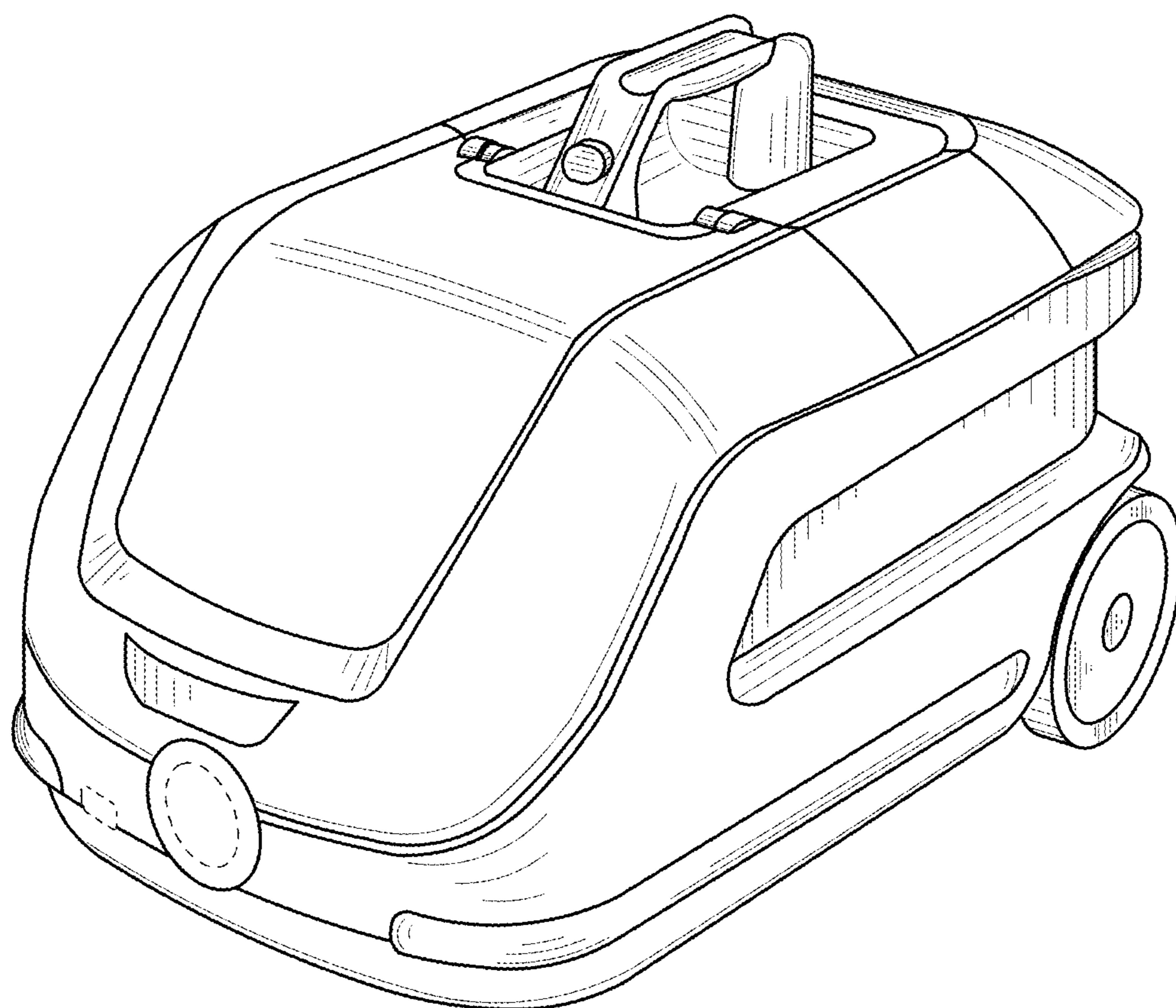


FIG. 2

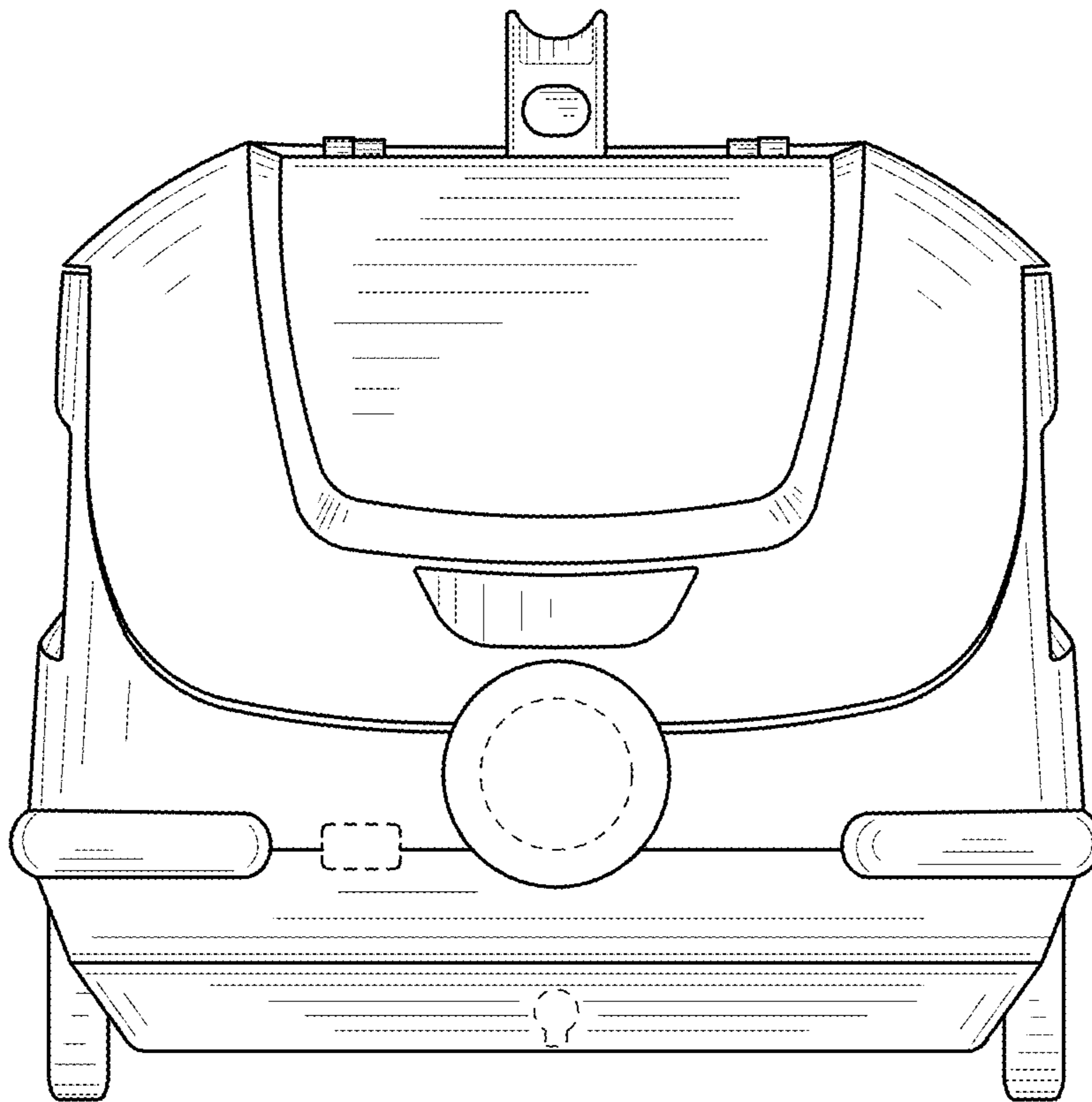


FIG. 3

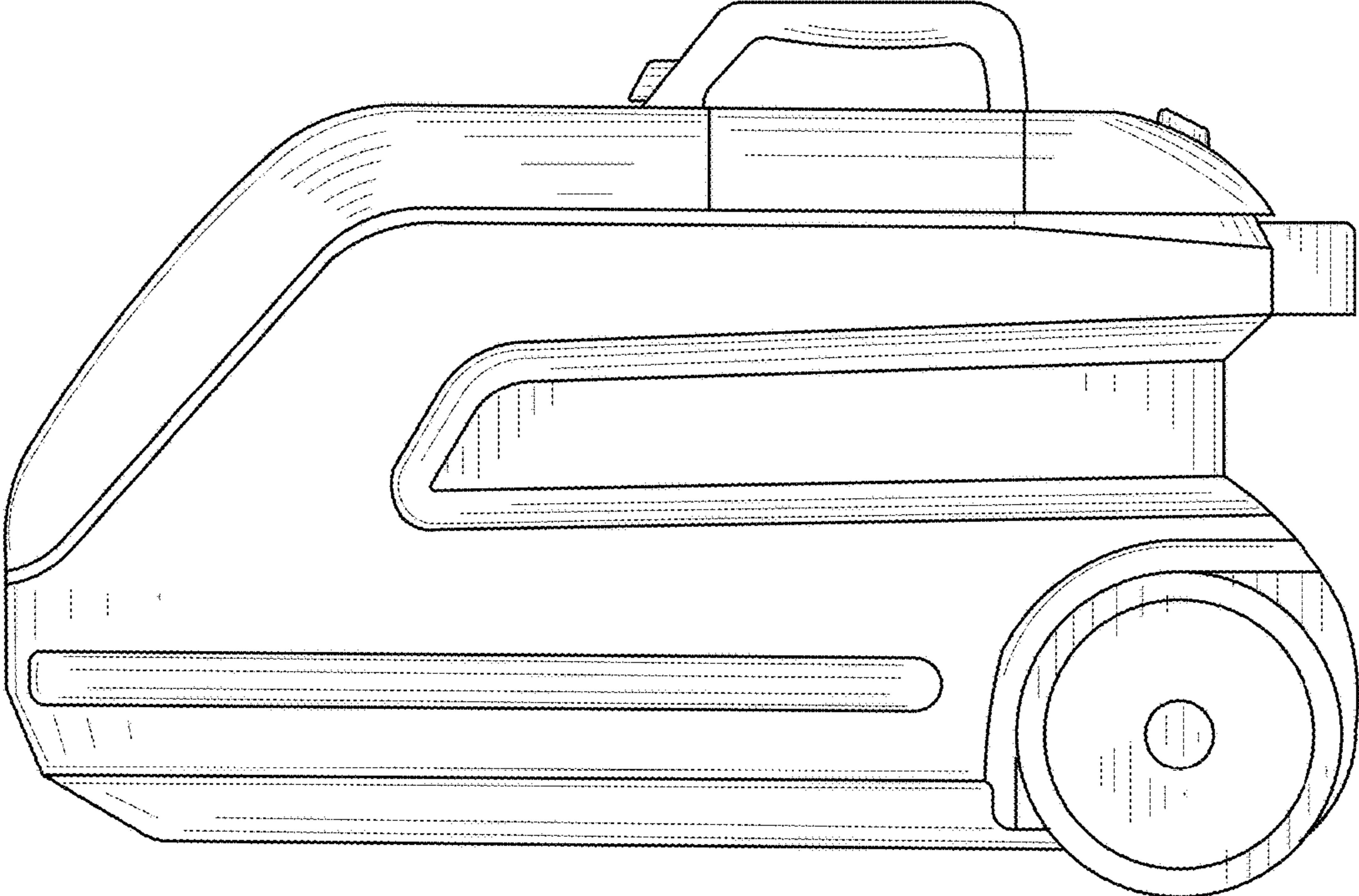


FIG. 4

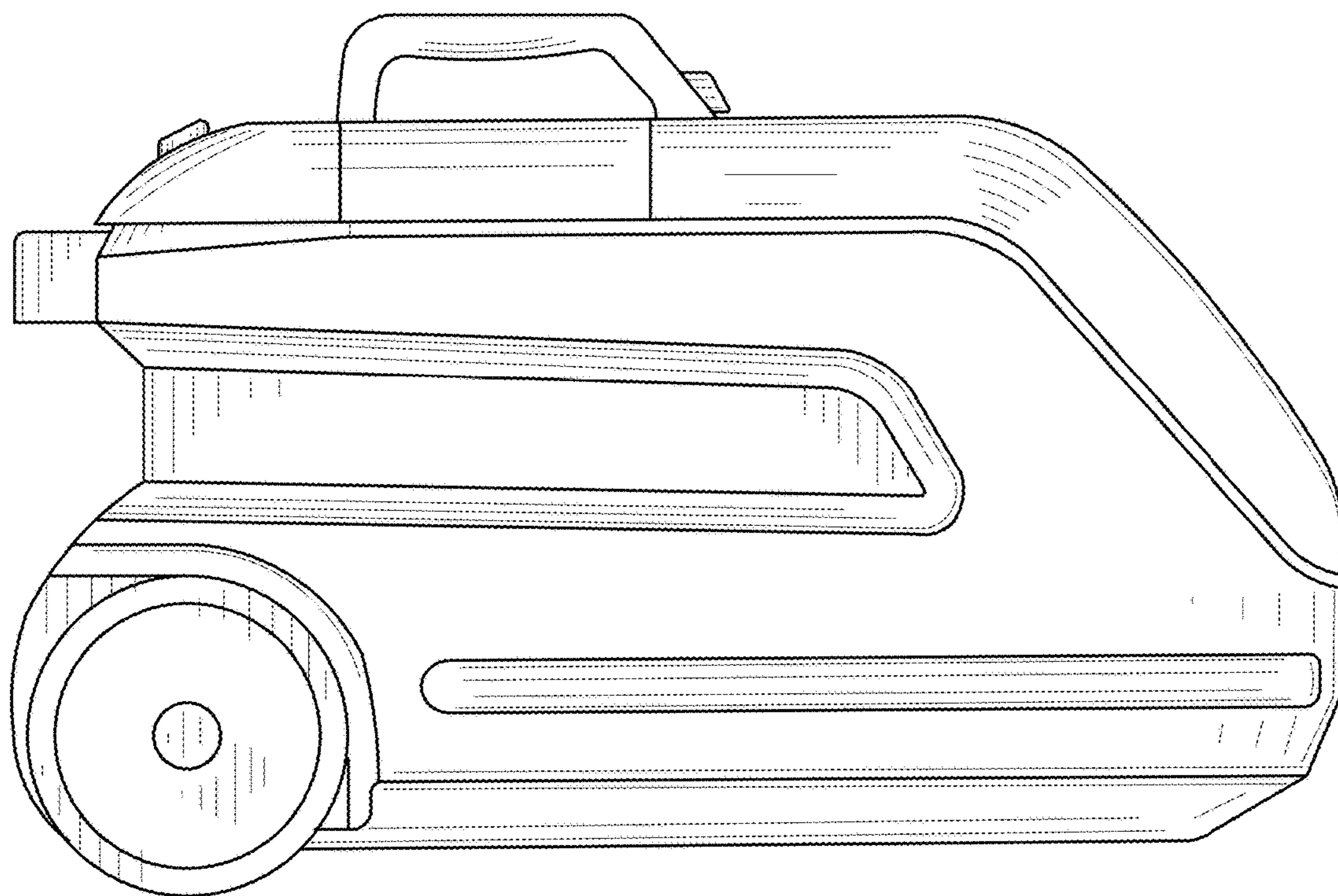


FIG. 5

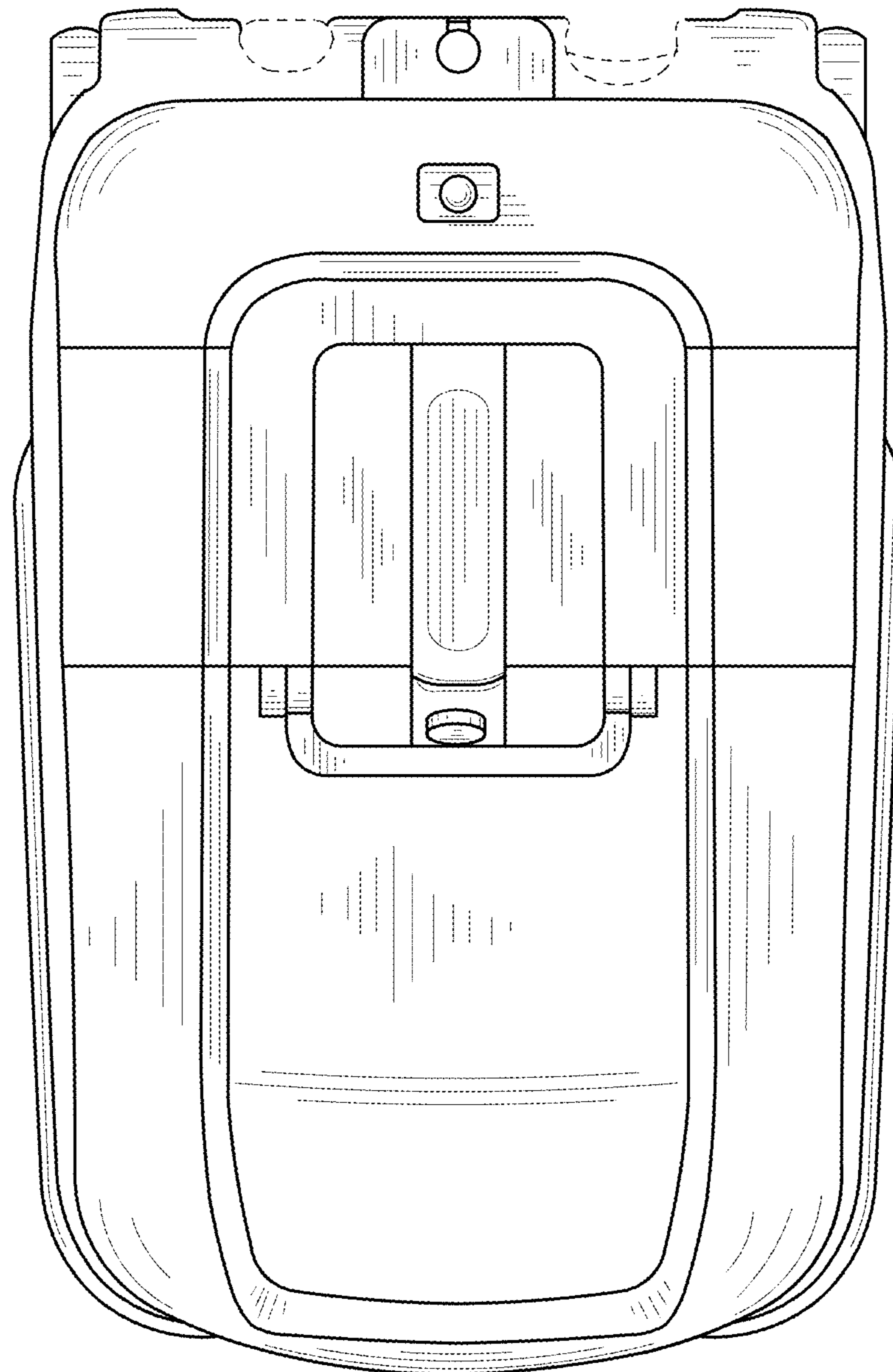


FIG. 6

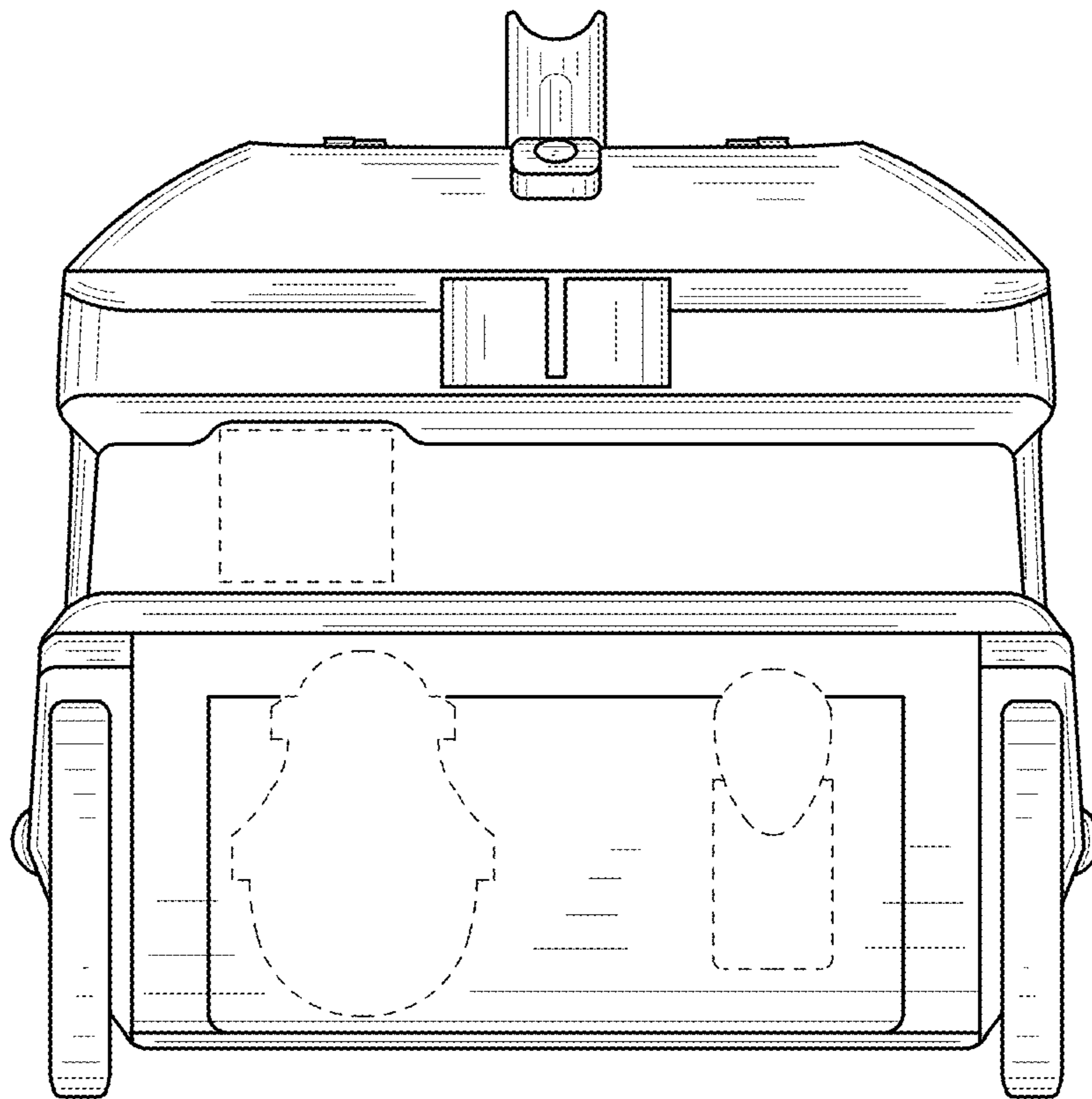


FIG. 7

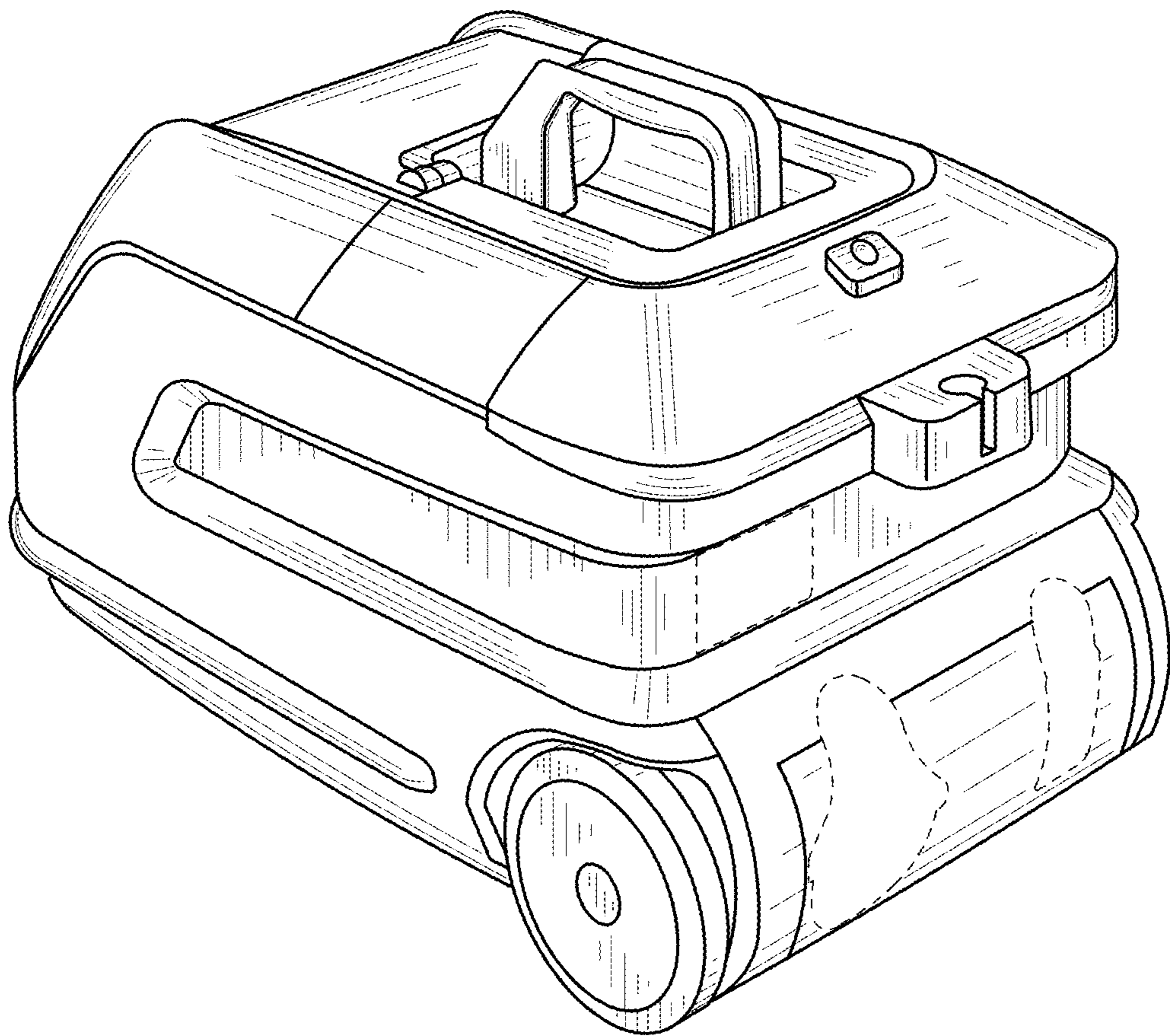


FIG. 8

