



US00D785877S

(12) **United States Design Patent** (10) **Patent No.:** **US D785,877 S**
Cao et al. (45) **Date of Patent:** **** May 2, 2017**

(54) **CLEANER**
(71) Applicants: **JIANGSU MIDEA CLEANING APPLIANCES CO., LTD**, Suzhou (CN); **MIDEA GROUP CO., LTD**, Foshan (CN)
(72) Inventors: **Pei Cao**, Suzhou (CN); **Yang Gu**, Suzhou (CN)
(73) Assignees: **JIANGSU MIDEA CLEANING APPLIANCES CO., LTD**, Suzhou, Jiangsu (CN); **MIDEA GROUP CO., LTD**, Foshan, Guangdong (CN)

D506,042 S *	6/2005	Griffin	D32/21
D534,696 S *	1/2007	Choi	D32/21
D567,458 S *	4/2008	Jiang	D32/15
D596,359 S *	7/2009	Hollis	D32/21
D618,870 S *	6/2010	Williams	D32/24
D646,030 S *	9/2011	Carr	D32/21
D724,801 S *	3/2015	Yoon	D32/21
D730,599 S *	5/2015	Uim	D32/18
D737,006 S *	8/2015	Heck	D32/21
D744,178 S *	11/2015	Choi	D32/21
D749,282 S *	2/2016	Kim	D32/18
D749,283 S *	2/2016	Kim	D32/18
D749,285 S *	2/2016	Kim	D32/31
D752,831 S *	3/2016	Kim	D32/18
D760,969 S *	7/2016	Kim	D32/18

* cited by examiner

(**) Term: **15 Years**

(21) Appl. No.: **29/543,689**

(22) Filed: **Oct. 27, 2015**

(51) **LOC (10) Cl.** **15-05**

(52) **U.S. Cl.**
USPC **D32/17**

(58) **Field of Classification Search**
USPC D32/1, 21, 31, 18
CPC A47L 5/28; A47L 9/1633; A47L 2201/04;
A47L 2201/00

See application file for complete search history.

(56) **References Cited**

U.S. PATENT DOCUMENTS

D343,934 S *	2/1994	Meelen	D32/21
D381,779 S *	7/1997	Pritchett	D32/22
D405,570 S *	2/1999	Broecking	D32/32
D418,643 S *	1/2000	Hoshino	D32/21
D454,994 S *	3/2002	Harada	D32/21
D462,488 S *	9/2002	Santiago	D32/18
6,553,612 B1 *	4/2003	Dyson	A47L 5/28

15/319

Primary Examiner — Michael A. Pratt
Assistant Examiner — Michelle E Wilson
(74) *Attorney, Agent, or Firm* — Hamre, Schumann, Mueller & Larson, P.C.

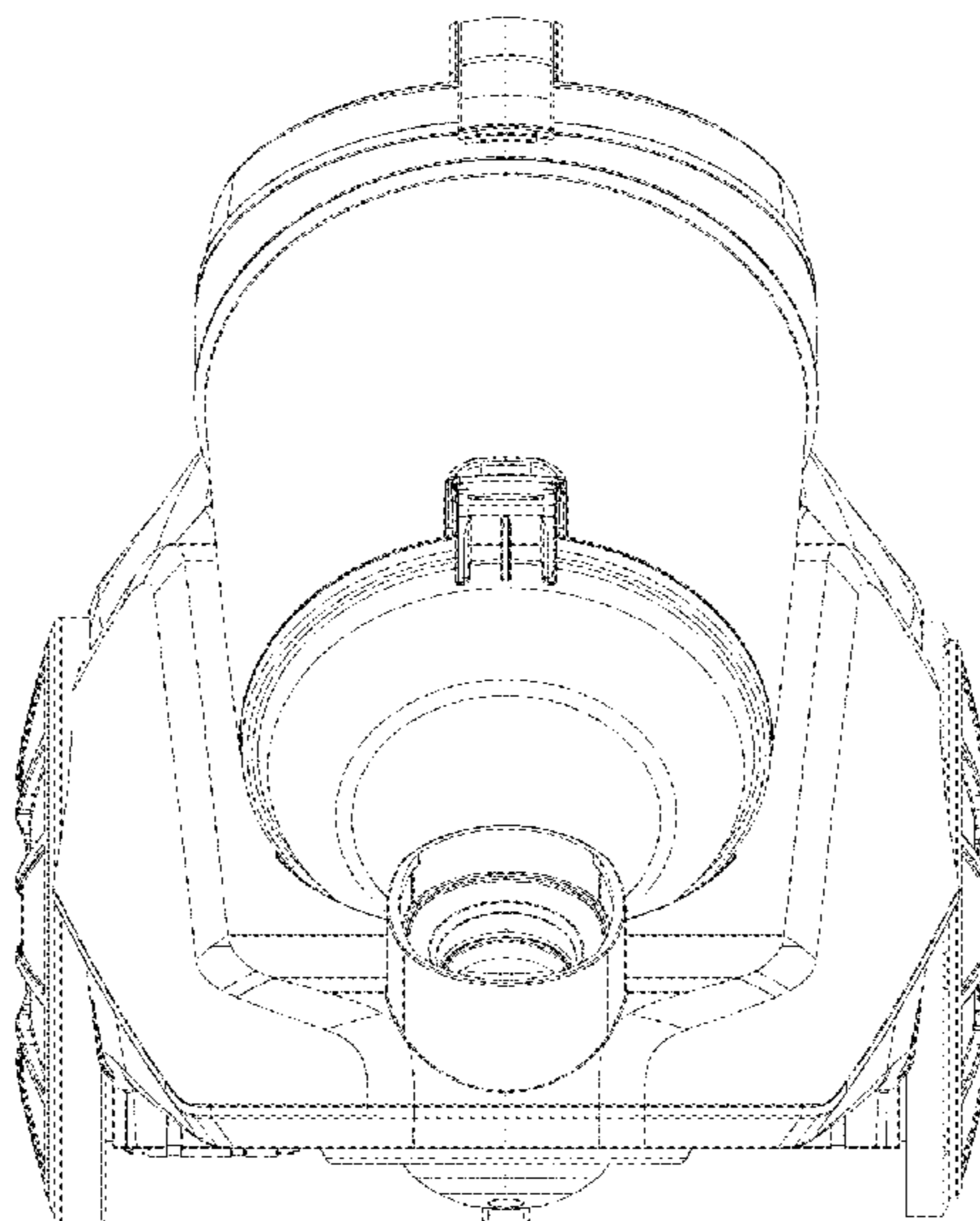
(57) **CLAIM**

The ornamental design for a “cleaner,” as shown and described.

DESCRIPTION

FIG. 1 is a front view of the cleaner;
FIG. 2 is a rear view of the cleaner;
FIG. 3 is a left side view of the cleaner;
FIG. 4 is a right side view of the cleaner;
FIG. 5 is a top view of the cleaner;
FIG. 6 is a bottom view of the cleaner;
FIG. 7 is one perspective view of the cleaner; and,
FIG. 8 is another perspective view of the cleaner.
The broken lines showing in the figures are for illustrative purposes only and form no part of the claimed design.

1 Claim, 8 Drawing Sheets



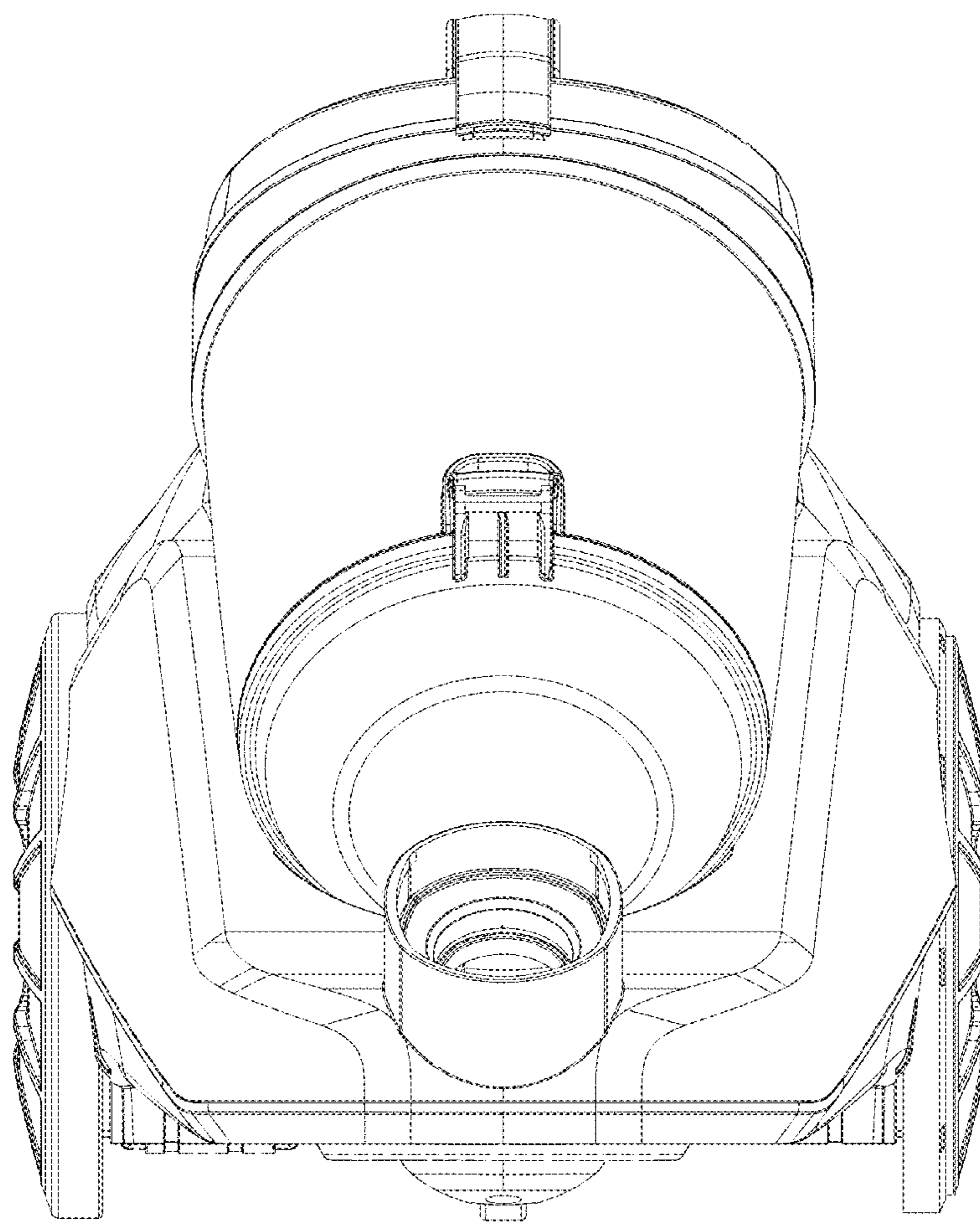


FIG. 1

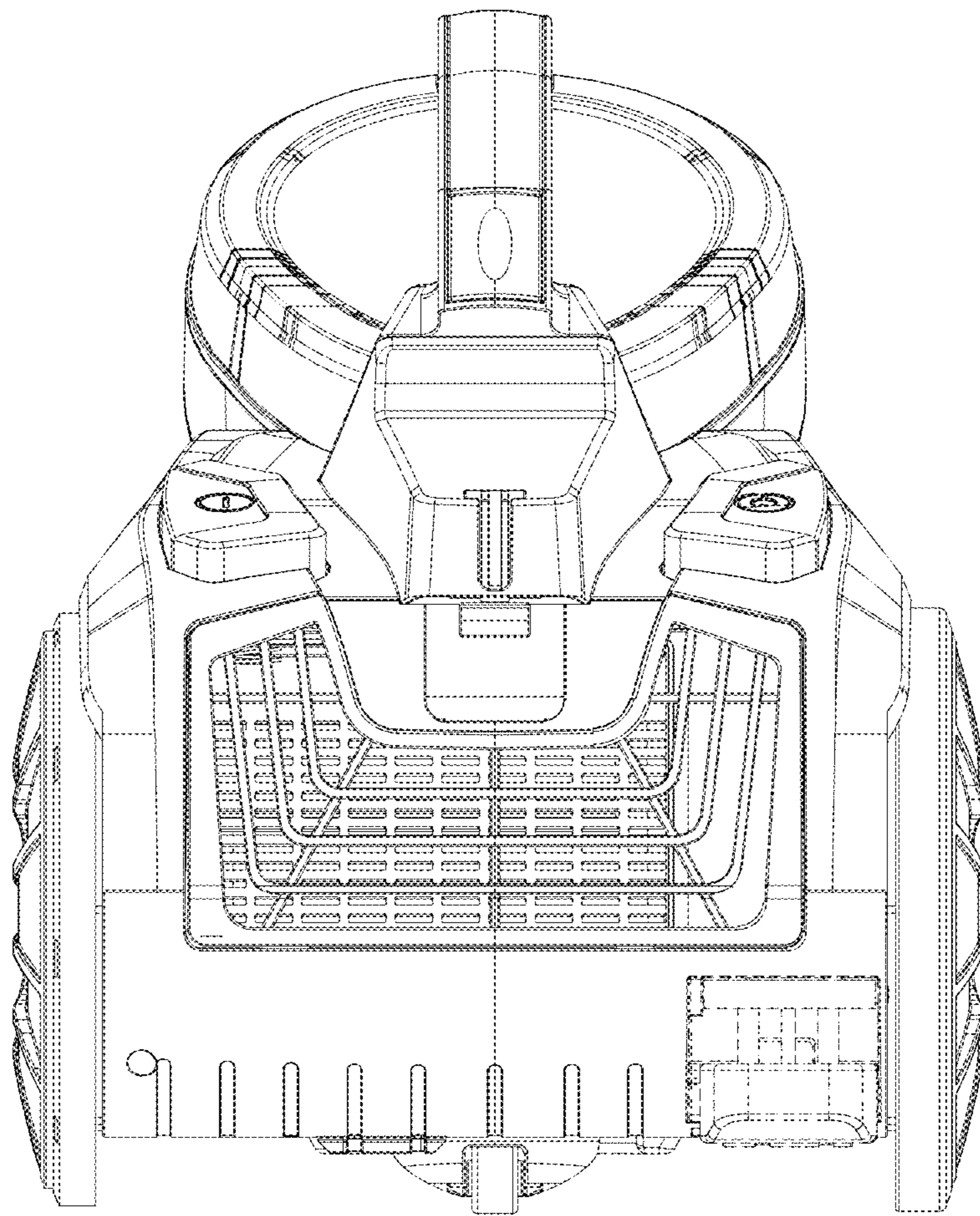


FIG. 2

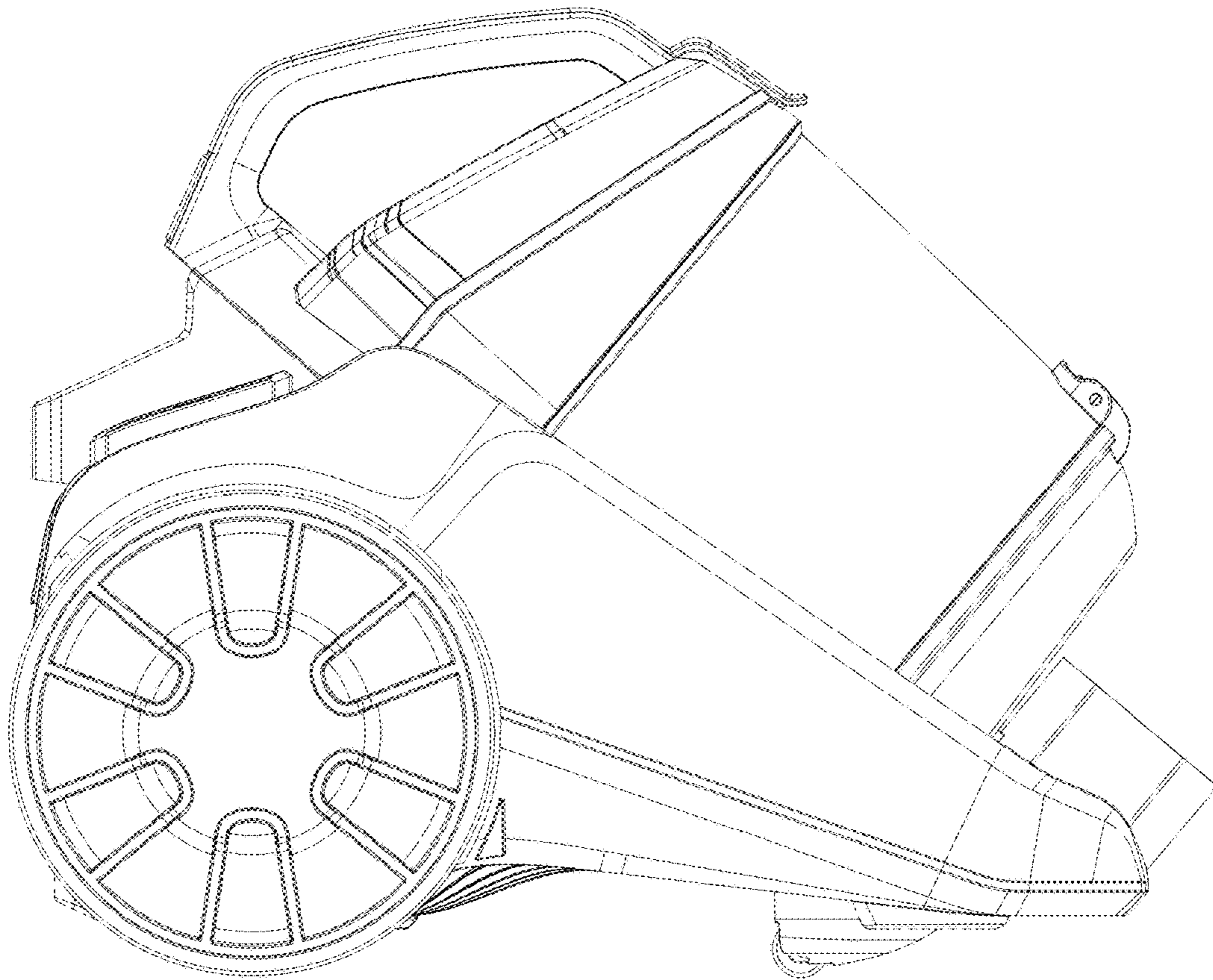


FIG. 3

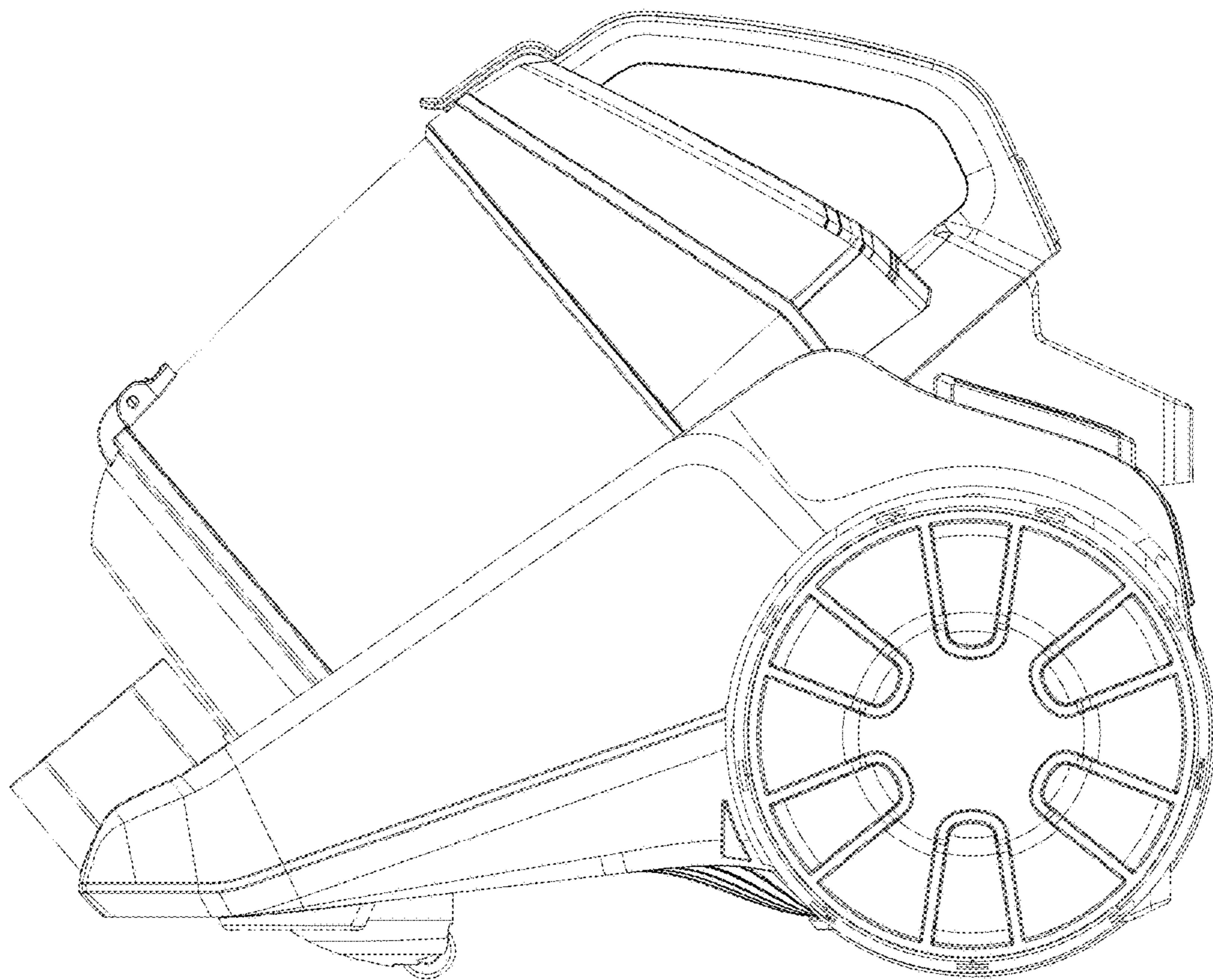


FIG. 4

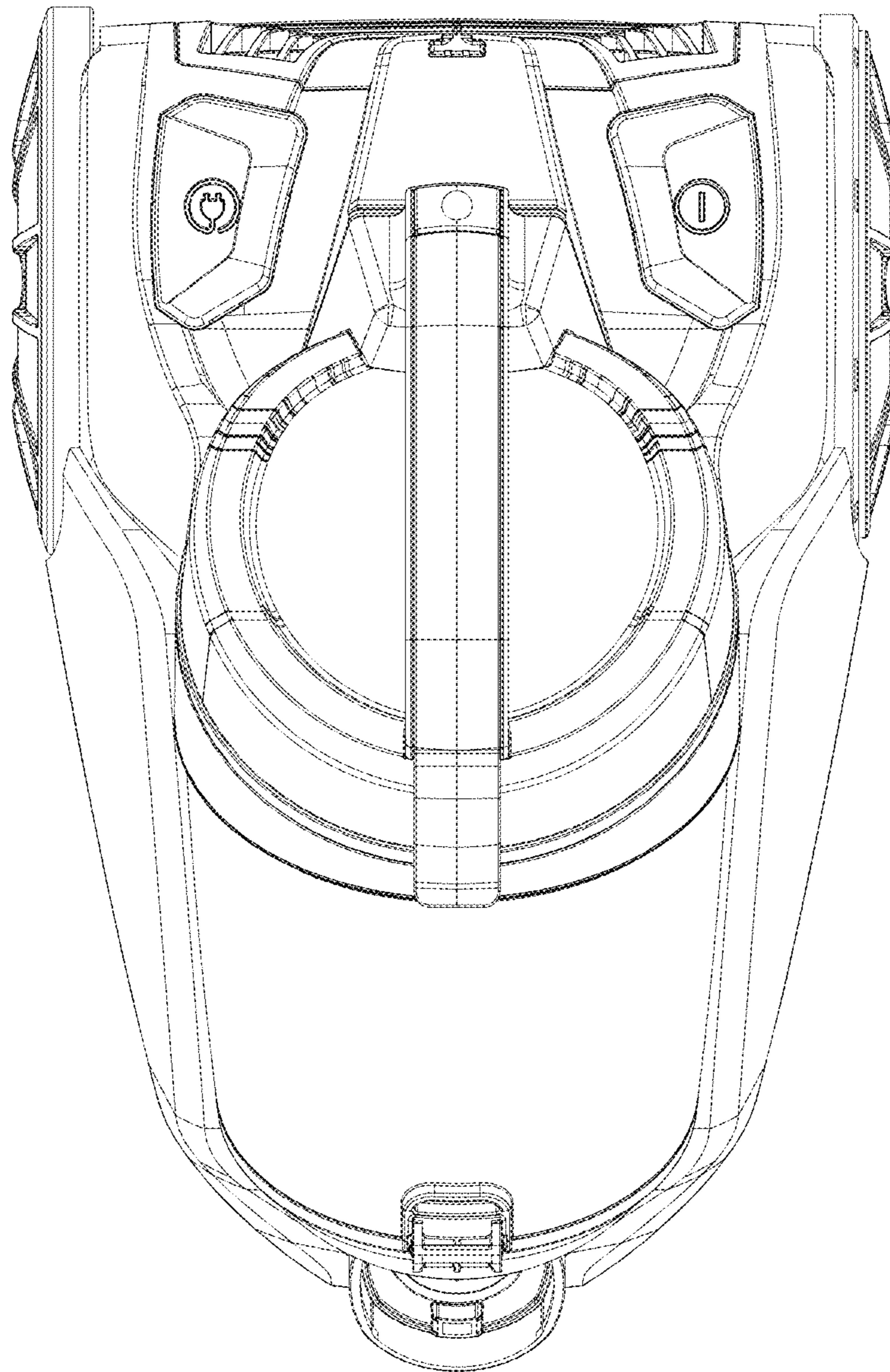


FIG. 5

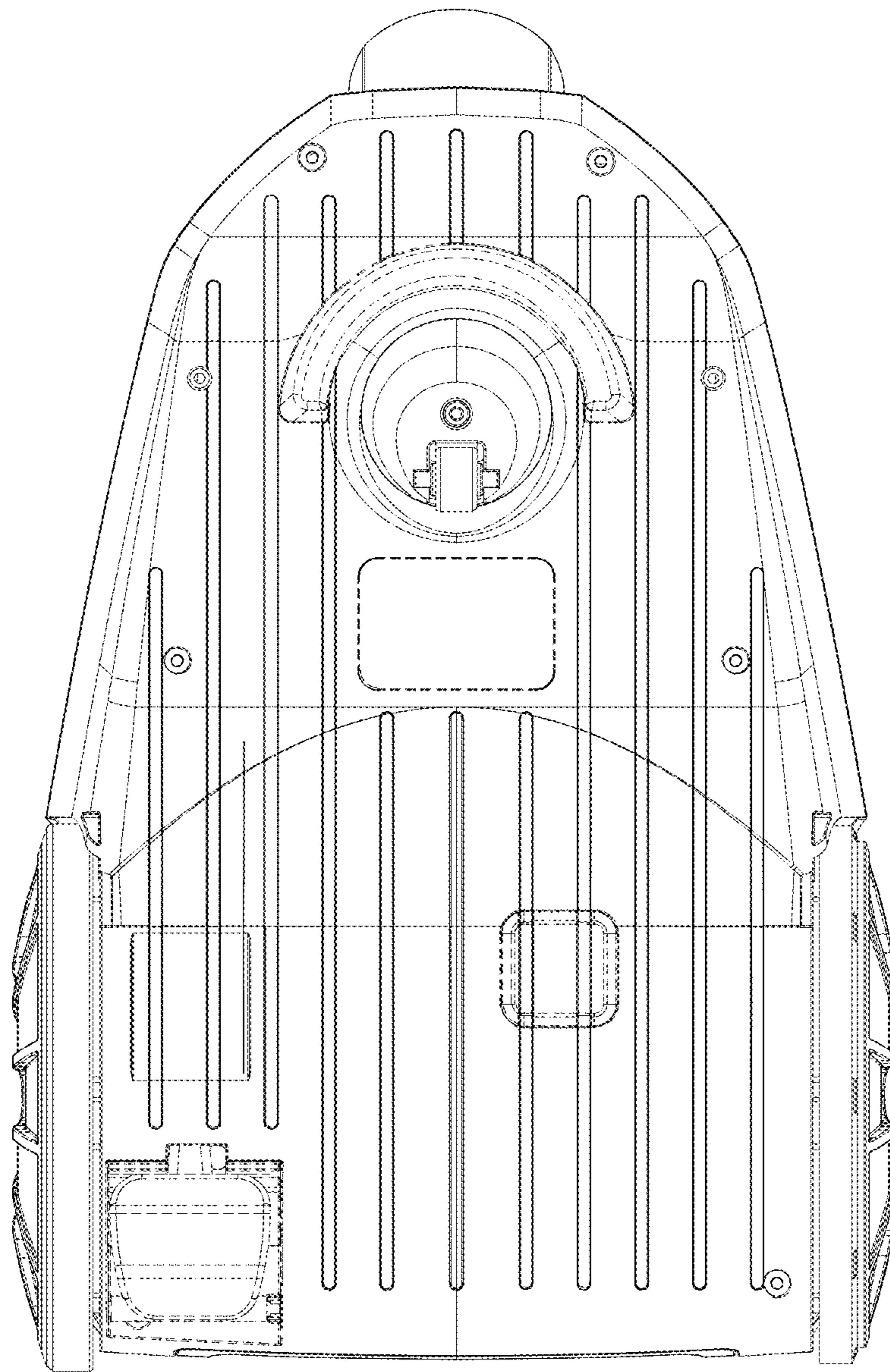


FIG. 6

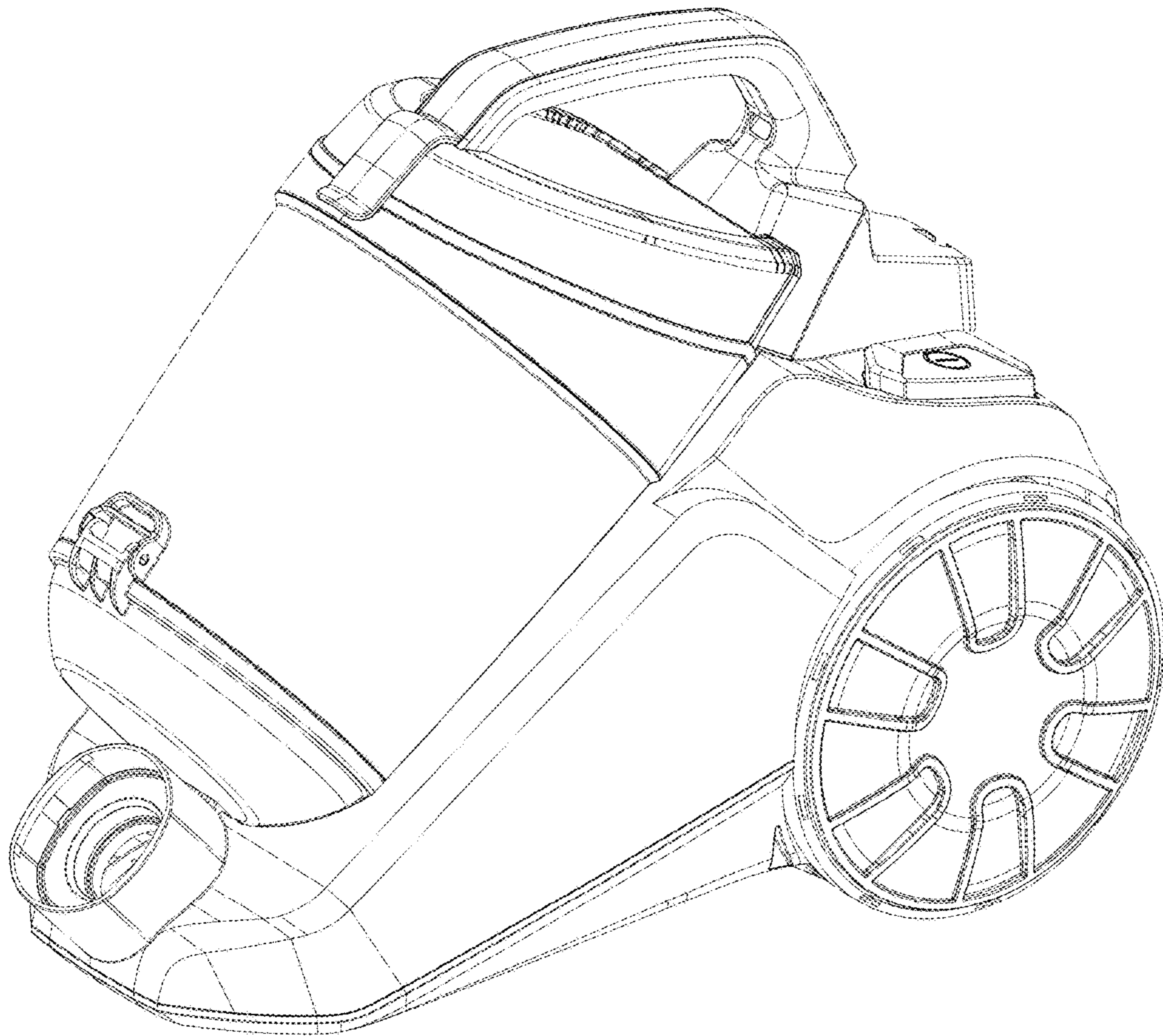


FIG. 7

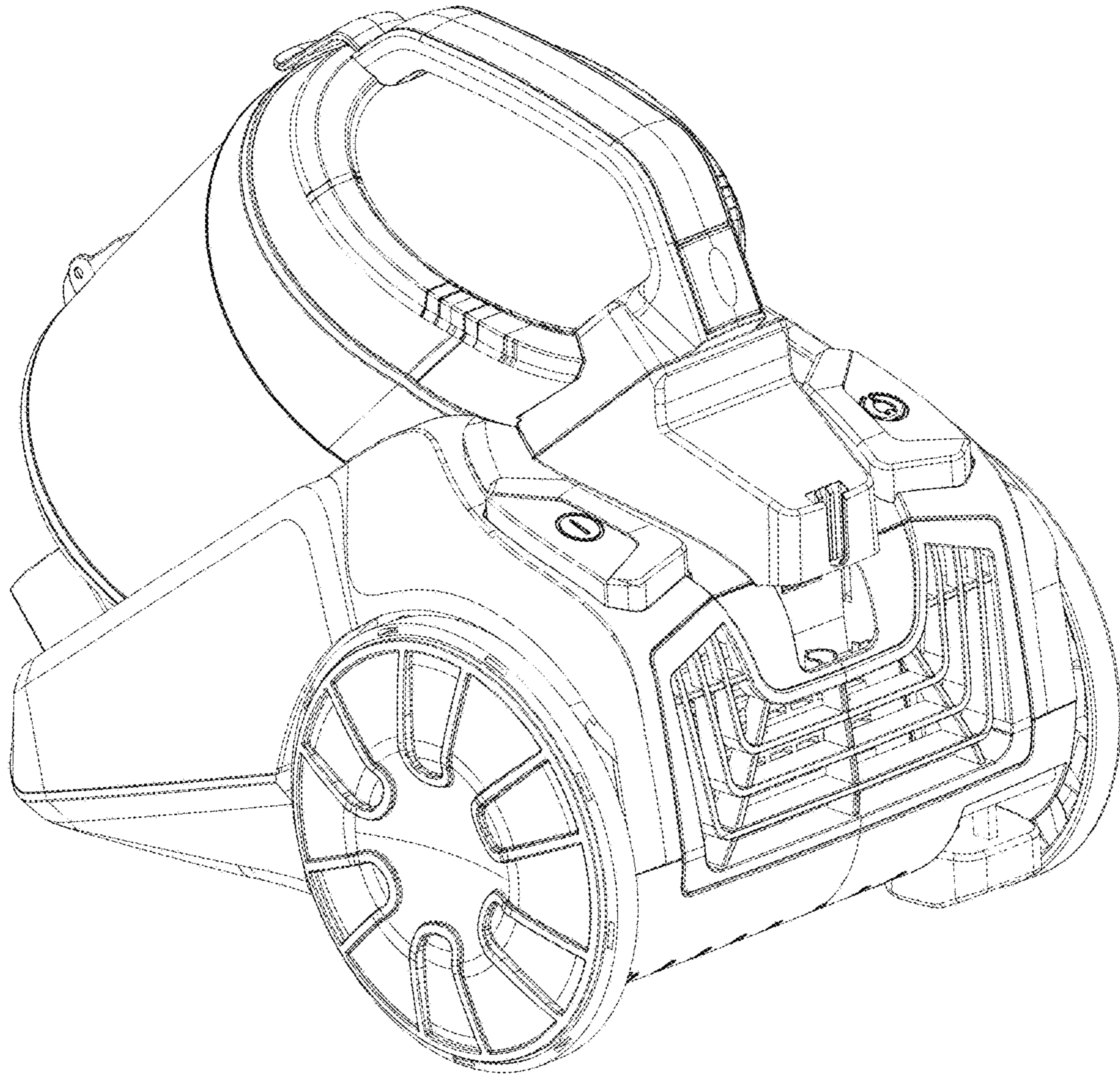


FIG. 8