



US00D785876S

(12) **United States Design Patent**
Cho et al.

(10) **Patent No.:** **US D785,876 S**

(45) **Date of Patent:** **** May 2, 2017**

(54) **WASHING MACHINE**

CPC .. A47J 43/28; E01H 5/02; D06F 39/14; D06F 37/206

See application file for complete search history.

(71) Applicant: **Samsung Electronics Co., Ltd.**,
Suwon-si, Gyeonggi-do (KR)

(56) **References Cited**

U.S. PATENT DOCUMENTS

(72) Inventors: **Chul-Yong Cho**, Seoul (KR); **Jongsu Jeon**, Sunghnam-si (KR); **Chris Bangle**, Clavesana (IT); **Seonju Lee**, Seoul (KR)

1,375,399 A * 4/1921 Lee A47J 43/28
241/101.5
2,114,641 A * 4/1938 Stevenson E01H 5/02
294/54.5
D224,138 S * 7/1972 Mahler D6/583
D382,735 S * 8/1997 Zapf D6/703.1

(Continued)

(73) Assignee: **SAMSUNG ELECTRONICS CO., LTD.**, Suwon-si, Gyeonggi-Do (KR)

FOREIGN PATENT DOCUMENTS

(**) Term: **15 Years**

CA 118239 * 11/2006
CA 127397 * 8/2008

(Continued)

(21) Appl. No.: **29/546,948**

OTHER PUBLICATIONS

(22) Filed: **Nov. 30, 2015**

LG's Latest Washing Machines Prioritize Time and Energy Savings, Announced Sep. 2, 2014 [Site visited Jun. 17, 2016]<http://www.lgnewsroom.com/2014/09/lgs-latest-washing-machines-prioritize-time-and-energy-savings/>.*

(Continued)

Related U.S. Application Data

(63) Continuation of application No. 29/441,399, filed on Jan. 4, 2013, now abandoned.

Primary Examiner — John Windmuller

(74) *Attorney, Agent, or Firm* — Ladas & Parry LLP

(30) **Foreign Application Priority Data**

Jul. 5, 2012 (KR) 30-2012-0032841

(57) **CLAIM**

We claim the ornamental design for a washing machine, as shown and described.

(51) **LOC (10) Cl.** **15-05**

DESCRIPTION

(52) **U.S. Cl.**

USPC **D32/6**

(58) **Field of Classification Search**

USPC D32/6, 8, 5, 25; 241/101.5; D6/583, D6/703.1; D8/10, 1; D12/317; D19/88; 312/288; 68/23.1; D14/248

FIG. 1 is a front perspective view of a washing machine showing our new design;
FIG. 2 is a front view thereof;
FIG. 3 is a rear view thereof;
FIG. 4 is a left-side view thereof;
FIG. 5 is a right-side view thereof;

(Continued)

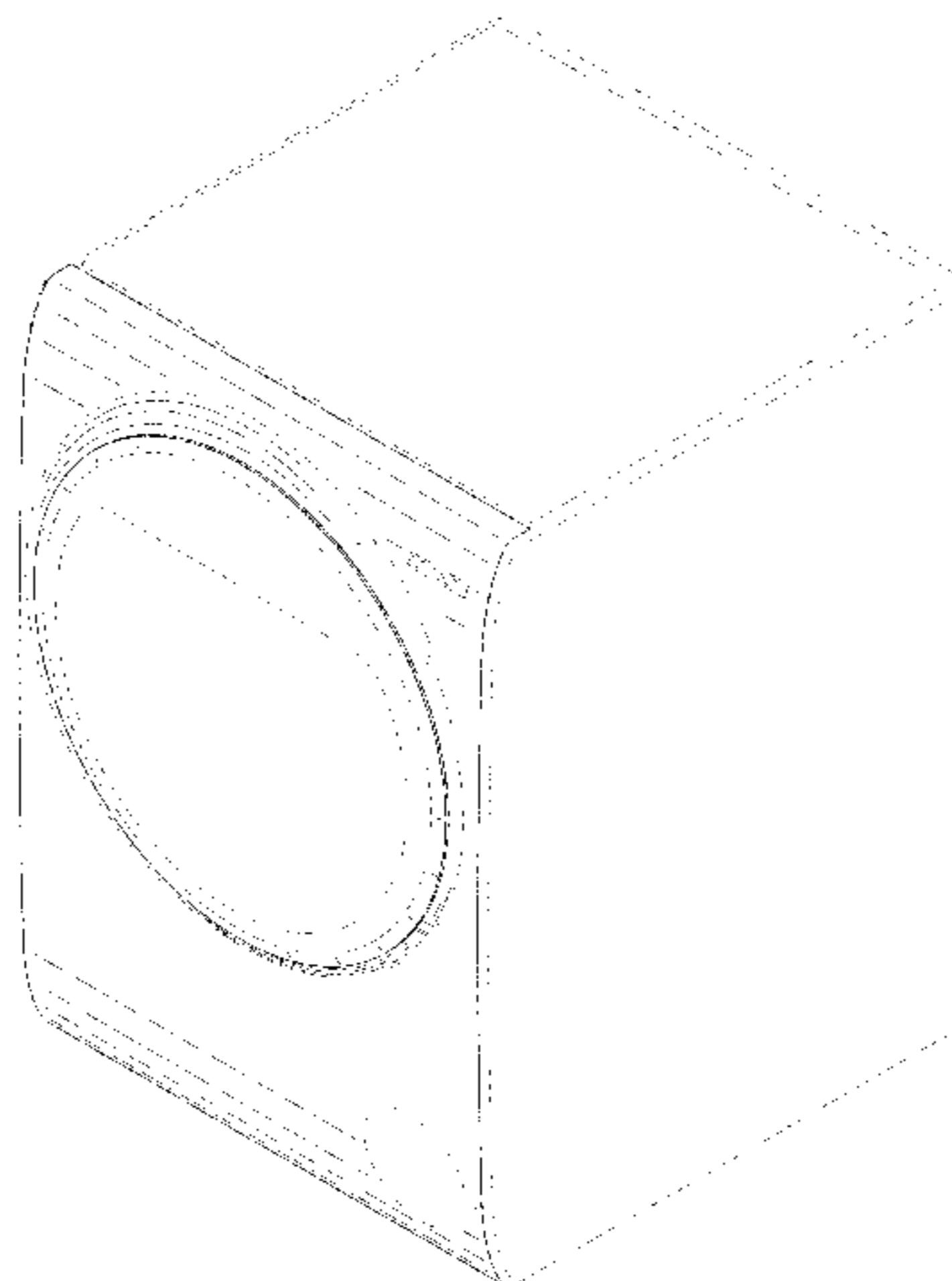


FIG. 6 is a top view thereof; and,
 FIG. 7 is a bottom view thereof.
 The broken lines in the figures form no part of the claimed design. The unshaded areas bounded by broken lines form no part of the claimed design. The unshaded areas bounded by a combination of solid and broken lines form no part of the claimed design.

1 Claim, 7 Drawing Sheets

(56)

References Cited

U.S. PATENT DOCUMENTS

D392,243 S * 3/1998 Anderson D12/317
 D392,522 S * 3/1998 Kenyon D8/10
 D450,164 S * 11/2001 Dyson D32/6
 D457,991 S 5/2002 Baldwin et al.
 D465,622 S * 11/2002 Wang D32/6
 D496,709 S 9/2004 Suh et al.
 D517,259 S * 3/2006 Ha D32/6
 D517,756 S 3/2006 Ha et al.
 D523,595 S 6/2006 Carey et al.
 D524,001 S 6/2006 Carey et al.
 D524,493 S * 7/2006 Choi D32/6
 D537,577 S * 2/2007 Nam D32/6
 D542,986 S 5/2007 Crookshanks
 D543,322 S 5/2007 Usui et al.
 D556,956 S * 12/2007 Kim D32/6
 D556,957 S * 12/2007 Shin D32/6
 D561,957 S 2/2008 Browne et al.
 D575,913 S 8/2008 Jeon et al.
 D576,361 S 9/2008 Jeon et al.
 D577,161 S 9/2008 Jeon et al.
 D588,312 S * 3/2009 Lee D32/8
 D589,216 S * 3/2009 Park D32/6
 D595,357 S * 6/2009 Simpson D19/88
 D597,711 S * 8/2009 Nam D32/6
 D599,508 S 9/2009 Choi et al.
 D616,163 S 5/2010 Nam et al.
 D618,871 S 6/2010 DeSalvo et al.
 D620,650 S 7/2010 Lee
 D621,331 S * 8/2010 Bock D12/345
 D622,916 S 8/2010 Lee
 D625,889 S 10/2010 Lee et al.

D626,299 S 10/2010 Lee et al.
 D631,624 S * 1/2011 Chung D32/6
 D633,262 S * 2/2011 Jeon D32/6
 D653,006 S 1/2012 Takahashi
 8,127,464 B2 * 3/2012 Schone D06F 39/14
 312/228
 8,286,452 B2 10/2012 Kendall et al.
 8,616,027 B2 * 12/2013 Chang D06F 37/206
 68/23.1
 D703,013 S * 4/2014 Firth D8/1
 D706,999 S * 6/2014 Cho D32/6
 D714,502 S * 9/2014 Jeon D32/25
 D736,752 S * 8/2015 Lee D14/248
 2003/0230017 A1 12/2003 Geyer

FOREIGN PATENT DOCUMENTS

JP D1159293 S 11/2002
 KR 300414343.0001 5/2006
 KR 300462329.0000 * 9/2007

OTHER PUBLICATIONS

Redefining Washing—Yanko Design, Announced Oct. 31, 2014 [Site Visited Jun. 17, 2016] <http://www.yankodesign.com/2014/10/31/redefining-washing/>.
 Samsung Has Made Doing Laundry Pleasant Again With its WW9000 Smart Washing Machine, Announced Jan. 31, 2014 [Site Visited Jun. 17, 2016] <http://www.homeharmonizing.com/2014/01/31/samsung-has-made-doing-laundry-pleasant-again-with-its-ww9000-smart-washing-machine/>.
 Super Mom Smashes Washing Machine After Realizing Her Daughter Is Inside, Announced Nov. 9, 2011, [Site Visited Aug. 1, 2015] <http://www.mommyish.com/2011/11/09/mother-washing-machine-saves-daughter-603/>.
 AEG Prot ex—Welded tub ?, Announced Sep. 3, 2011, [Site Visited Aug. 1, 2015], <http://www.automaticwasher.org/cgi-bin/TD/TDVIEWTHREAD.cgi?36229>.
 Appliance Doctor NJ Washer and Dryer Repair, Announced Jul. 1, 2010, [Site Visited Aug. 1, 2015] <http://lapp I iance repair ri nceto n n j. info/washer -and-dryer-repair/>.
 Samsung WW80H741)EW Announced Mar. 24, 2012, [Site Visited X Jan. 21, 2015] <http://www.coopelectricalshop.co.uk!Samsung-WW80H741 OEW-Blue-Crystal-8Kg-1400-Spin-Washing-Machine-in-White/id-SAM-WSH-WW80H741 OEW-W>.

* cited by examiner

FIG. 1

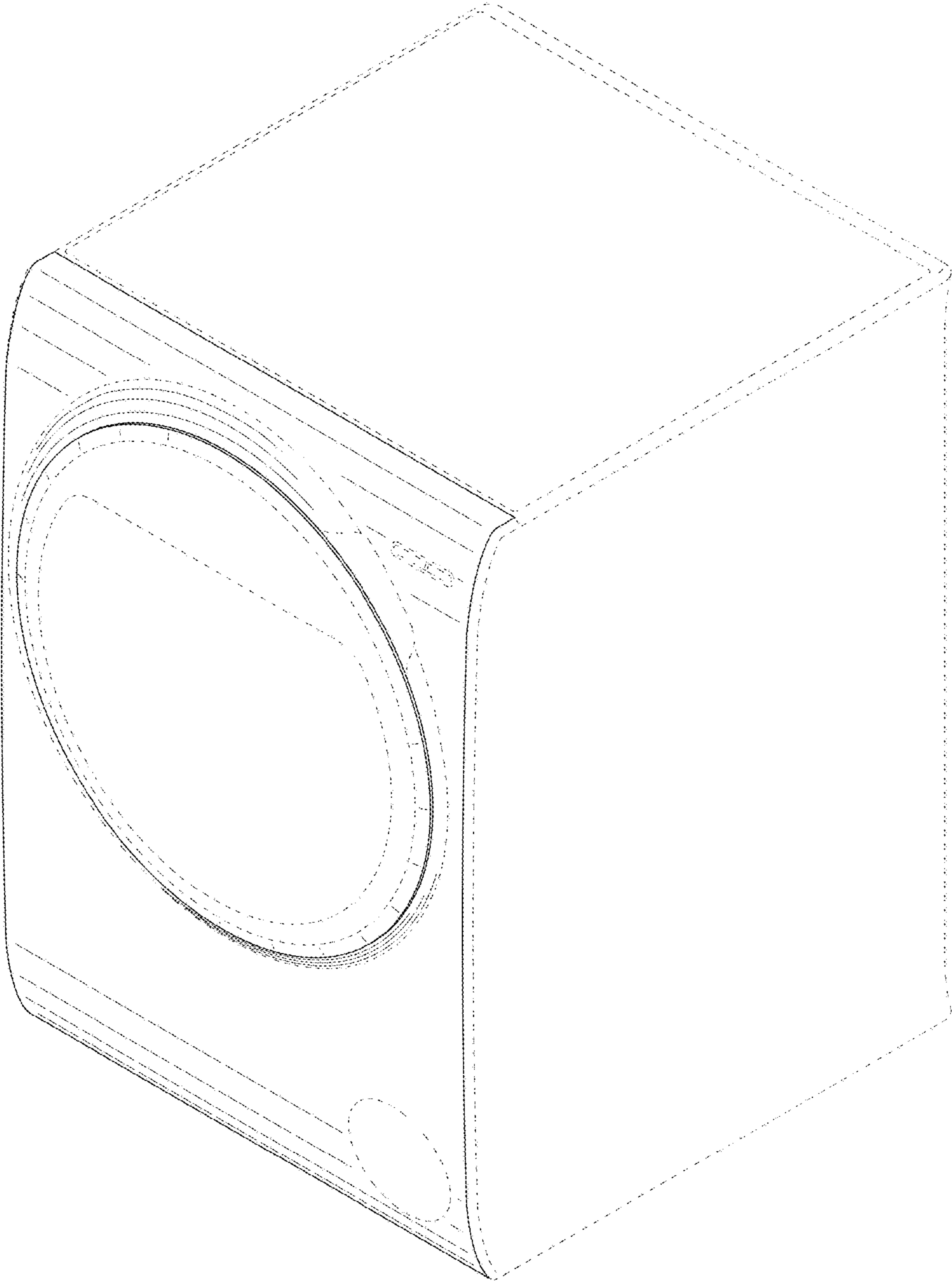


FIG. 2

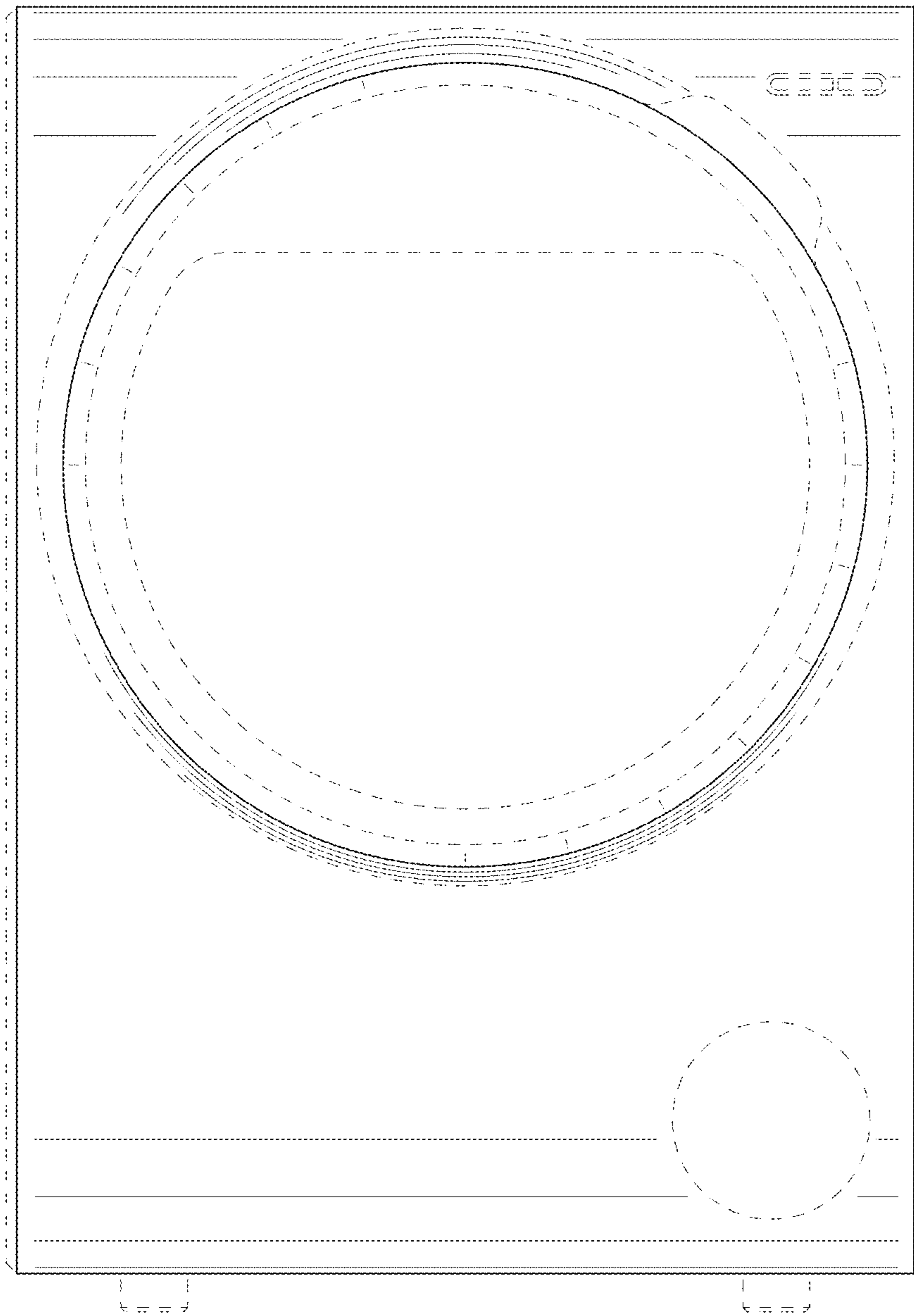


FIG. 3

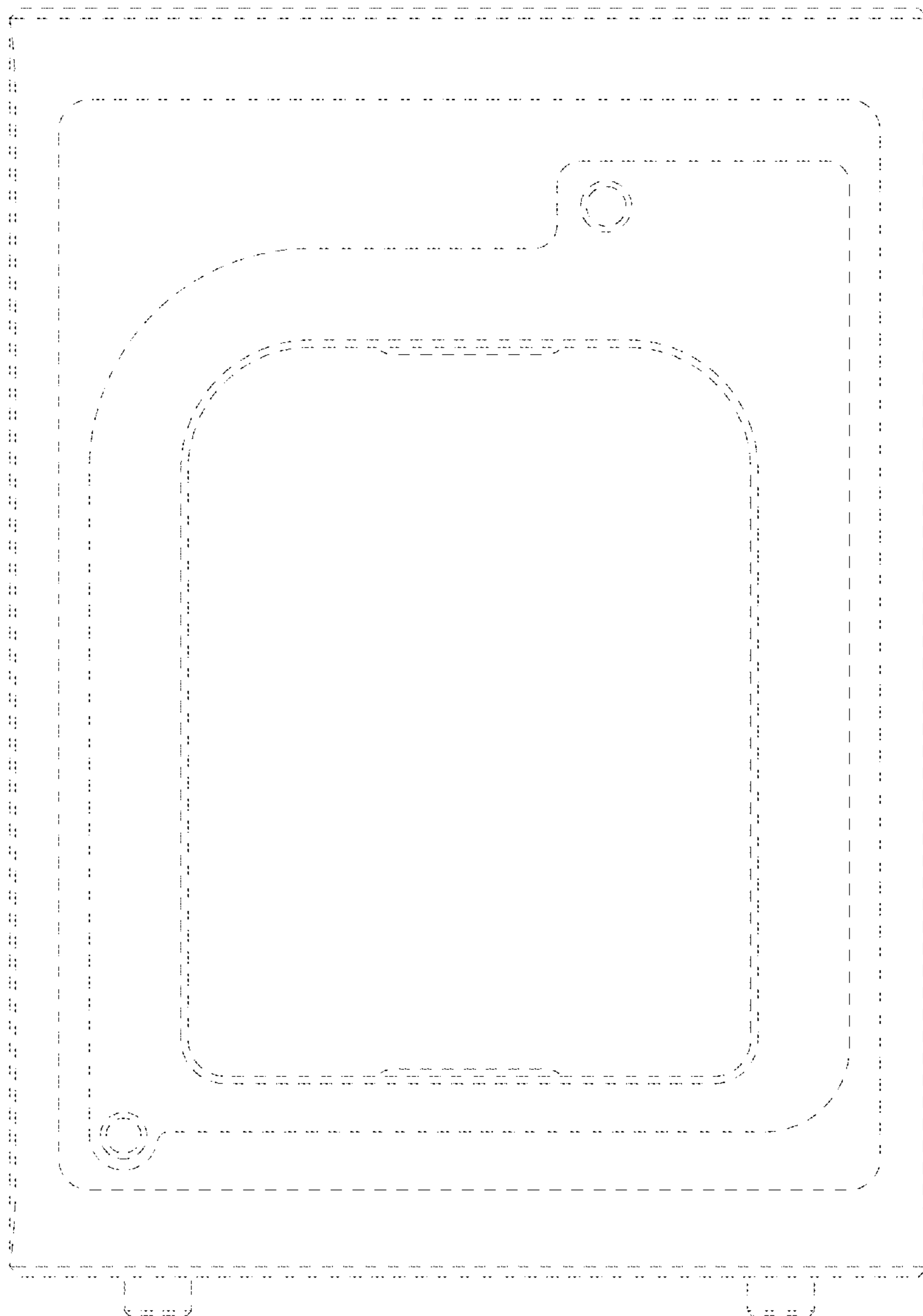


FIG. 4

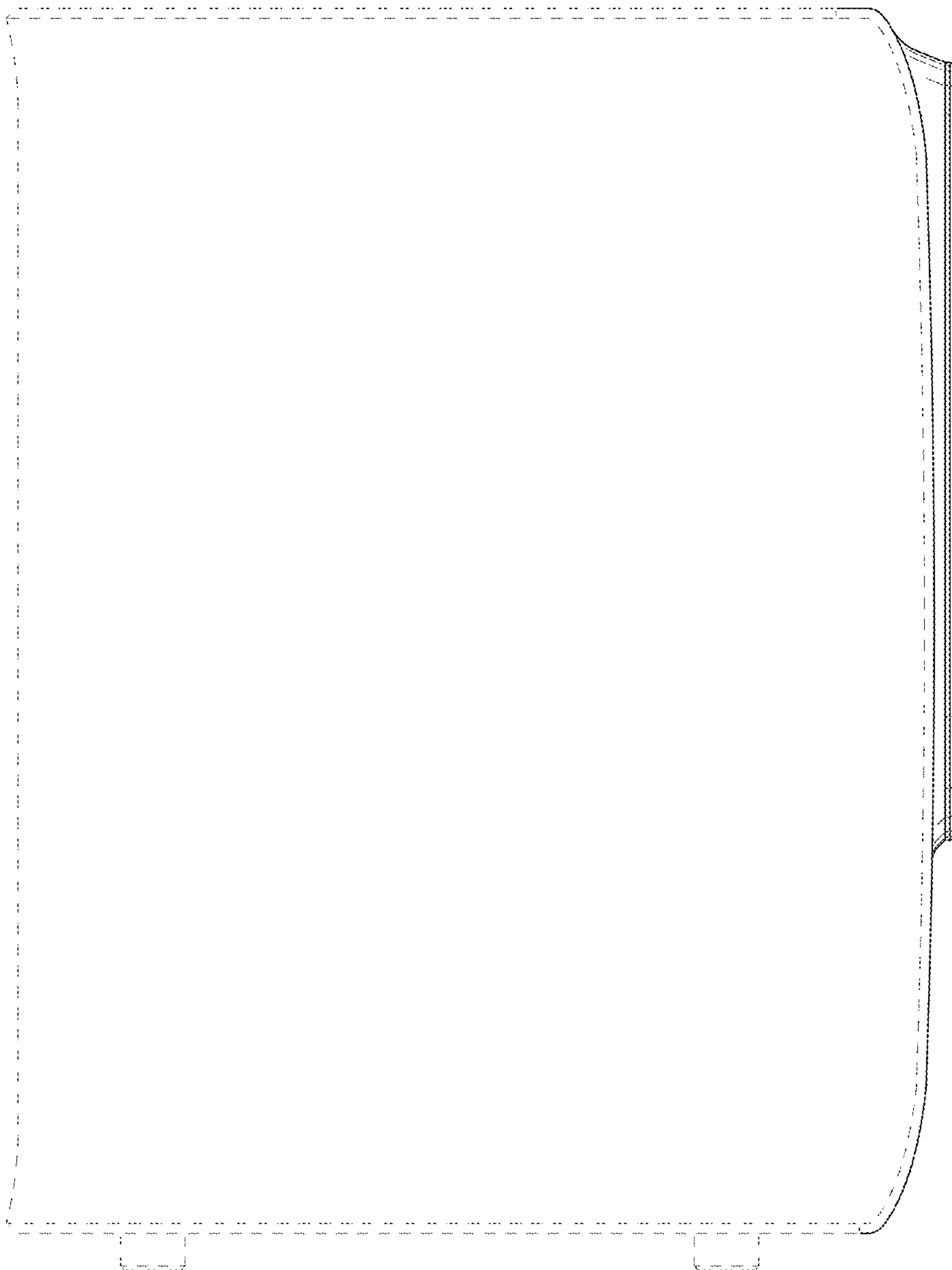


FIG. 5

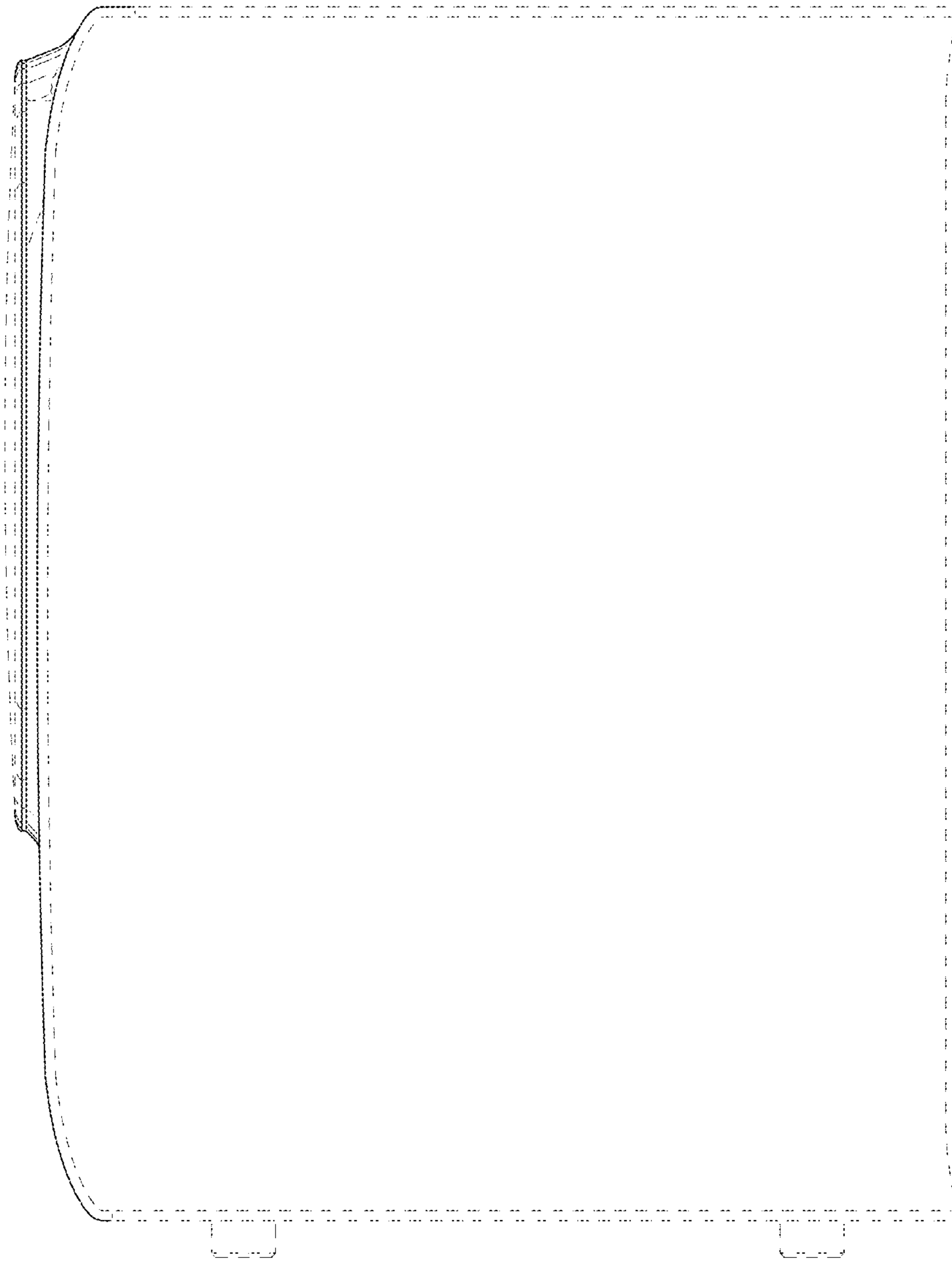


FIG. 6

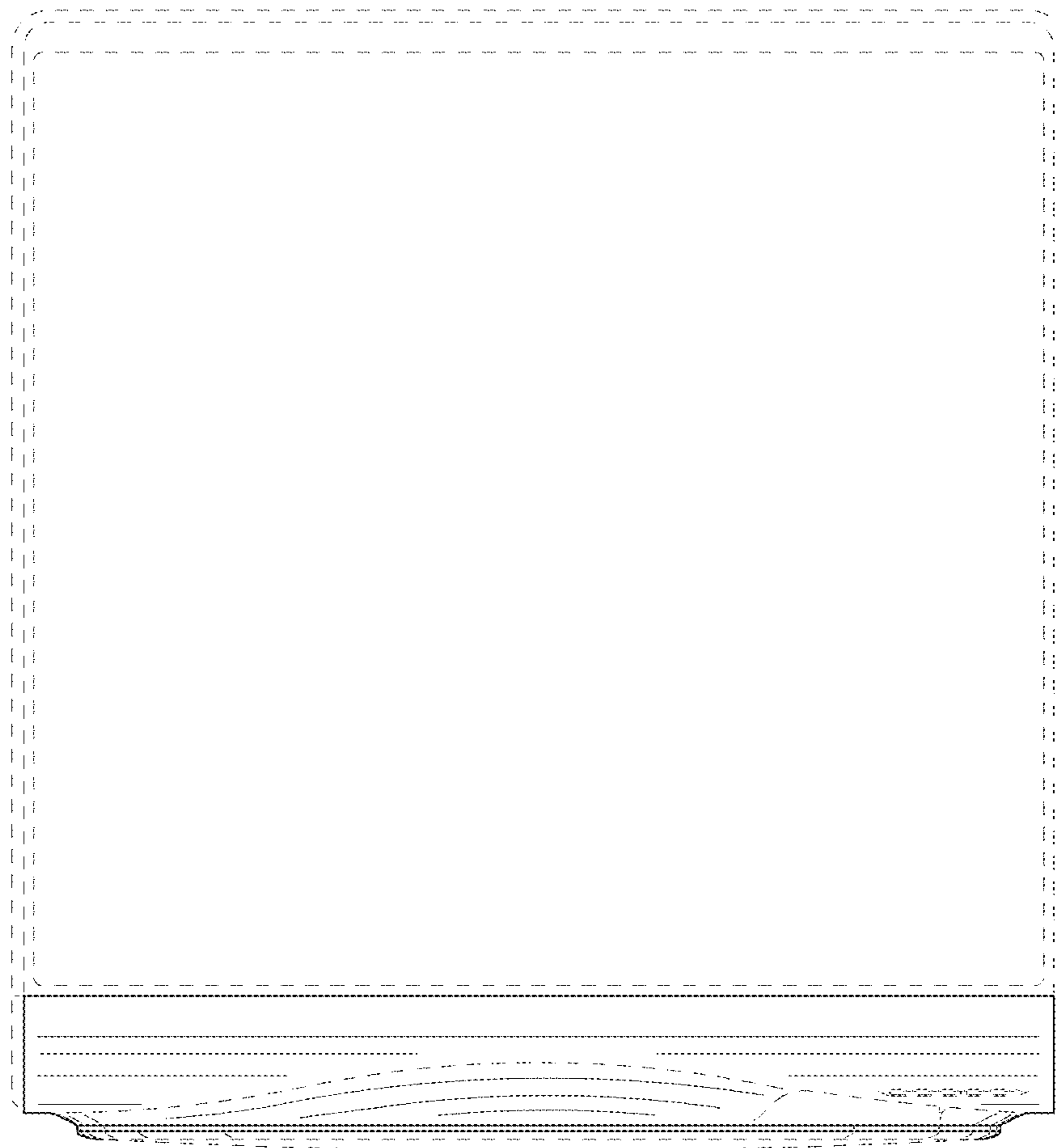


FIG. 7

