



US00D785875S

(12) **United States Design Patent**
Martinsek

(10) **Patent No.:** **US D785,875 S**
(45) **Date of Patent:** **** May 2, 2017**

(54) **POULTRY LEG BAND WITH CHARM ATTACHED**

(71) Applicant: **Tisha G. Martinsek**, Middleton, ID (US)

(72) Inventor: **Tisha G. Martinsek**, Middleton, ID (US)

(**) Term: **15 Years**

(21) Appl. No.: **29/575,002**

(22) Filed: **Aug. 21, 2016**

(51) **LOC (10) Cl.** **30-08**

(52) **U.S. Cl.**
USPC **D30/155**; D30/199

(58) **Field of Classification Search**
USPC D30/155, 199, 144-146, 151-153; 119/856, 858, 859, 860, 863, 865, 654, 119/712-714, 716, 720-726, 762, 763, 119/792, 816, 818, 850, 853, 174, 855, 119/862, 760, 789, 796, 815, 821; D11/1-39, 131, 131.1, 133, 140, 155, D11/157, 93, 79, 80, 81-83, 86, 40-44, D11/94, 200, 201, 106, 114-116, 99, 220; 40/304, 300, 665, 640, 633, 726, 776, 40/617; 63/3, 3.1, 3.2, 5, 15.1-15.4, 63/15.45, 15.5, 15.6, 15.65, 15.7, 26-28, 63/1.11, 1.13-1.17, 5.1, 6, 7, 12, 15, 21, 63/33, 40, 41, 23, 14.1, 18-20, 11; D10/30-32, 111; D24/211; D28/41; D23/366, 367; D8/383, 349, 394, 395, D8/396; D6/332, 468; D21/683; D5/45, D5/46, 7, 13; D29/120.1, 100, 101.5; D2/609, 627, 614, 628, 624, 632, 894; D26/11, 26, 113-118; D20/10, 22, 27, D20/40, 42, 11; D9/434; 428/690; 359/516; 2/232, 22, 468, 338; 424/411; 600/38; 24/180, 625, 188, 662, 647; 439/352; 206/347; 362/103, 104, 216,

362/335, 108; 283/72, 74, 75, 103, 105, 283/106, 449; 229/72, 92, 92.1, 229/300-303; 224/222, 184, 249, 676
CPC A01K 35/00; A01K 13/00; G09F 3/005; G09F 3/02; A44C 5/00; A44C 5/0007; A44C 5/0015; A44C 5/0023; A44C 5/003; A44C 5/0053; A44C 5/0084; A44C 5/14; A44C 5/18; A44C 5/2076
See application file for complete search history.

(56) **References Cited**

U.S. PATENT DOCUMENTS

452,050 A * 5/1891 Simmons et al. G09F 3/0352
292/317
624,600 A * 5/1899 Wood A42B 7/00
132/62
664,062 A * 12/1900 Smith A01K 35/00
40/304

(Continued)

Primary Examiner — Susan Moon Lee

(74) *Attorney, Agent, or Firm* — Frank J. Dykas; Dykas Law Offices, PLLC

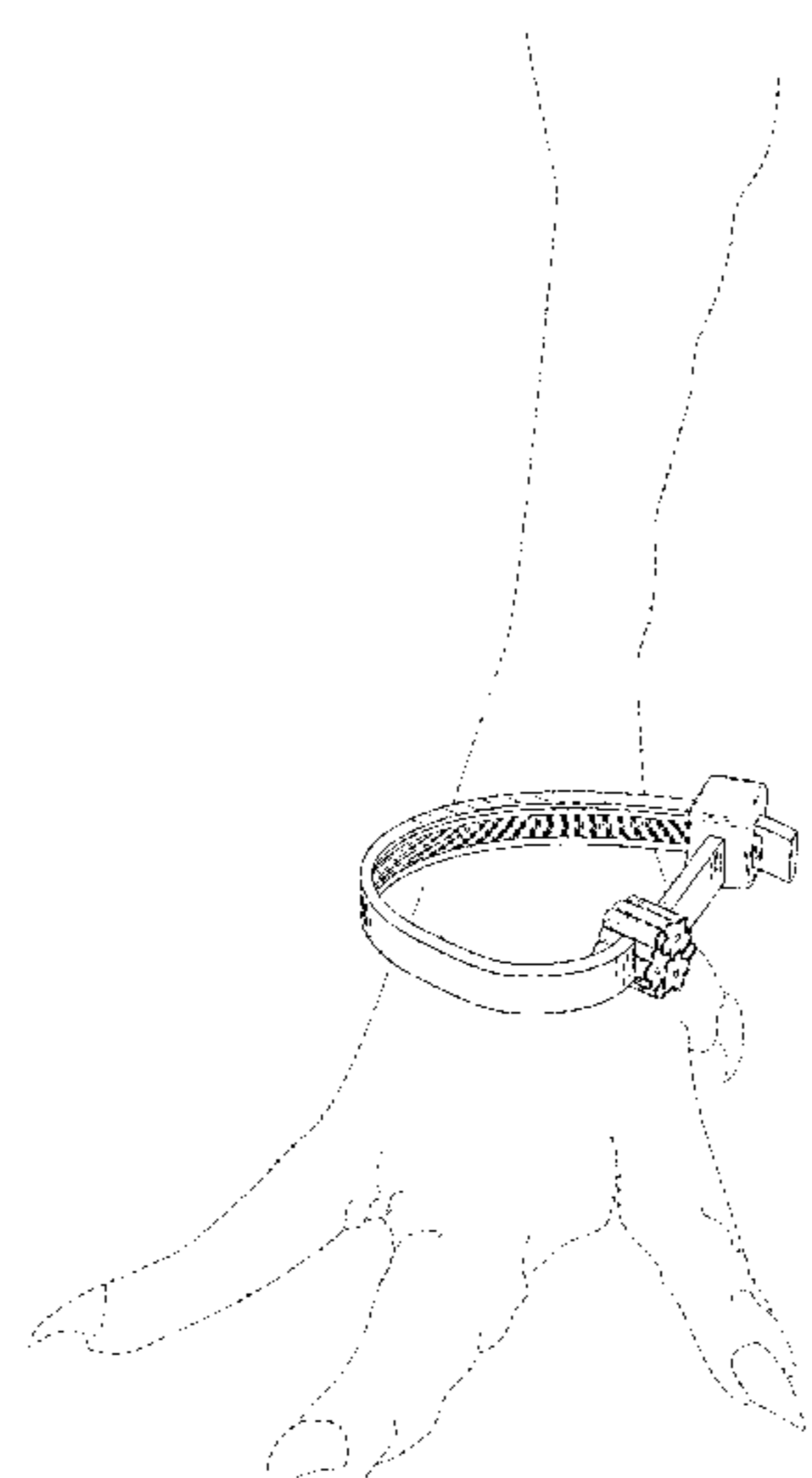
(57) **CLAIM**

The ornamental design for a poultry leg band with charm attached, as shown and described.

DESCRIPTION

FIG. 1 is a perspective view of my new design for a poultry leg band with charm attached, shown in use on a poultry leg, in an assembled configuration;
FIG. 2 is an enlarged view of the poultry leg band with charm attached depicted in FIG. 1; and,
FIG. 3 is an enlarged perspective view of the reverse side of the poultry leg band with charm attached, shown in an unassembled condition.
The broken line showing of a poultry leg in FIG. 1 illustratively depicts environment and forms no part of the claimed design.

1 Claim, 2 Drawing Sheets



(56)

References Cited

U.S. PATENT DOCUMENTS

716,377	A *	12/1902	Cadwallader	A01K 35/00	40/304					
908,186	A *	12/1908	Wing	G09F 3/0352	292/321					
1,084,407	A *	1/1914	Deist	A01K 35/00	24/20 EE					
1,176,181	A *	3/1916	Thomas	A01K 35/00	24/20 TT					
1,188,811	A *	6/1916	Mosel	G09F 3/0352	292/317					
1,200,962	A *	10/1916	MacKenzie	G09F 3/0352	292/317					
1,395,333	A *	11/1921	Bayerdorffer	A01K 35/00	40/304					
1,475,906	A *	11/1923	Van Orden	A01K 35/00	40/302					
1,855,052	A *	4/1932	Jacobson	A01K 35/00	40/304					
D110,922	S *	8/1938	Gagnon	D28/22						
2,125,768	A *	8/1938	Christensen	A01K 11/00	24/552					
2,138,040	A *	11/1938	Perry	A01K 35/00	119/654					
2,163,016	A *	6/1939	Barker	A01K 35/00	24/16 PB					
2,327,915	A *	8/1943	Mackey	A01K 35/00	292/324					
2,337,729	A *	12/1943	Ashton	A01K 35/00	292/317					
2,341,608	A *	2/1944	Gey	A01K 35/00	24/16 PB					
2,426,731	A *	9/1947	Elliott	A41F 9/002	2/322					
2,430,766	A *	11/1947	Gregory	A45D 2/10	132/245					
2,497,434	A *	2/1950	Borland	G09F 3/037	292/307 R					
2,660,826	A *	12/1953	Bennett	A44C 15/006	132/275					
3,149,869	A *	9/1964	Chamberlin	B65D 63/1027	292/320					
3,441,032	A *	4/1969	Barrett	A45D 6/00	132/275					
3,954,294	A *	5/1976	Iwamoto	B65D 63/1081	292/318					
4,272,900	A *	6/1981	MacLarty	G09F 3/005	24/16 PB					
4,344,240	A *	8/1982	Schiller	G09F 3/04	24/108					
4,377,887	A *	3/1983	Valestin	B65D 63/06	24/16 PB					
D322,043	S *	12/1991	Chia	D11/6						
6,053,182	A *	4/2000	Harmell	A44C 15/006	132/273					
6,131,585	A *	10/2000	Reinstein	A45D 8/00	132/273					
6,305,386	B1 *	10/2001	Wochadlo	A45D 8/00	132/273					
7,356,884	B2 *	4/2008	Packard	B42D 15/0086	24/16 PB					
8,230,555	B2 *	7/2012	Browne	B65D 63/1027	24/16 PB					
8,387,215	B2 *	3/2013	Koncelik, Jr.	B65D 63/1018	24/16 PB					
8,485,202	B1 *	7/2013	Lujan-Puckett	A45D 8/00	132/275					
D722,518	S *	2/2015	Behnam	D11/81						
9,022,043	B1 *	5/2015	Lujan-Puckett	A45D 8/00	132/275					
D743,832	S *	11/2015	Gruosi	D11/1						
2003/0070263	A1 *	4/2003	Mohnke	B65D 63/1063	24/16 PB					
2003/0226243	A1 *	12/2003	Pangallo	B65D 63/1063	24/16 PB					
2005/0076478	A1 *	4/2005	Miyazaki	B65D 63/1063	24/16 PB					
2005/0108858	A1 *	5/2005	Daito	H02G 3/32	24/16 PB					
2007/0234524	A1 *	10/2007	Witt	B65D 63/14	24/16 PB					
2008/0060166	A1 *	3/2008	Morello	F16L 3/13	24/16 PB					
2008/0066265	A1 *	3/2008	Pilon	B65D 63/1081	24/16 PB					
2008/0083094	A1 *	4/2008	Hsu	B65D 63/1072	24/16 PB					
2011/0225776	A1 *	9/2011	Langley	B29C 71/02	24/16 PB					
2013/0067695	A1 *	3/2013	Giotto	B65D 63/1072	24/16 PB					
2013/0146083	A1 *	6/2013	Yang	A45D 8/00	132/275					
2013/0312227	A1 *	11/2013	Wheelwright	A44B 11/2592	24/16 PB					
2014/0013547	A1 *	1/2014	Moreau	B65D 63/1072	24/16 PB					
2014/0041159	A1 *	2/2014	Zhao	B29C 45/0001	24/16 PB					
2014/0165339	A1 *	6/2014	Yuan	B65D 63/1072	24/16 PB					
2014/0259543	A1 *	9/2014	Scott	B65D 63/1027	24/16 PB					
2015/0114419	A1 *	4/2015	Miller	A45D 8/34	132/200					
2016/0114949	A1 *	4/2016	Housser	B65D 63/00	24/16 PB					

* cited by examiner

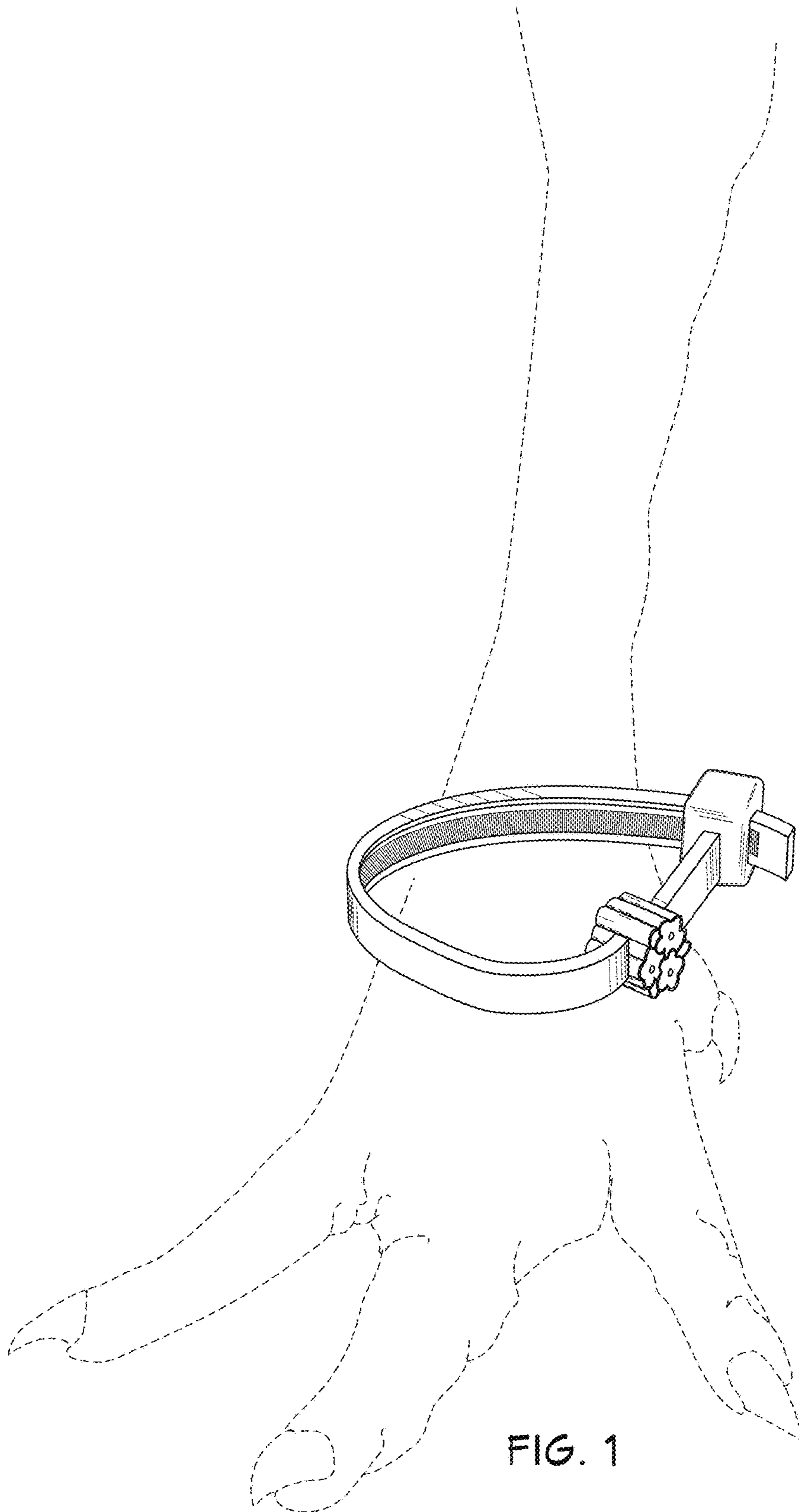


FIG. 1

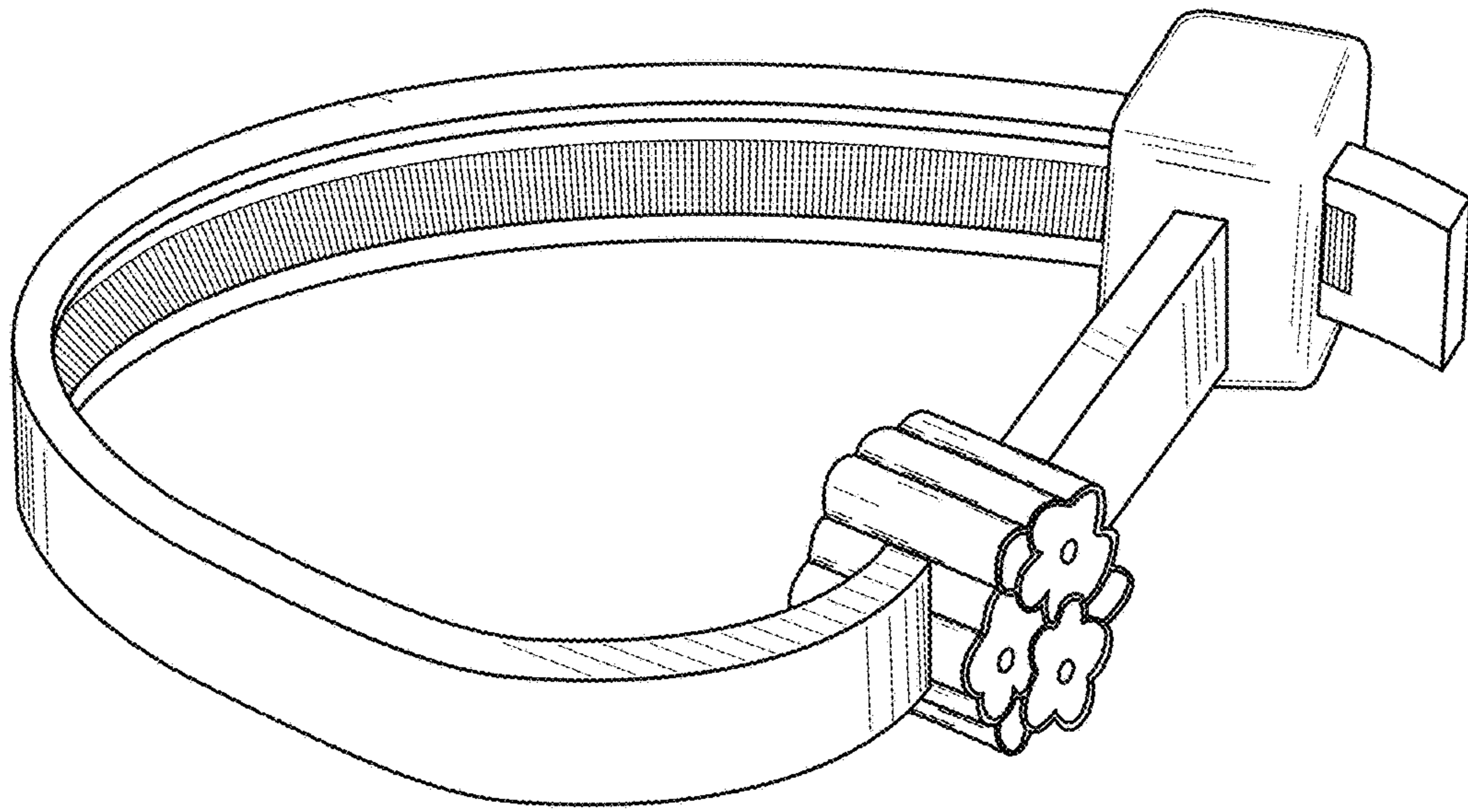


FIG. 2

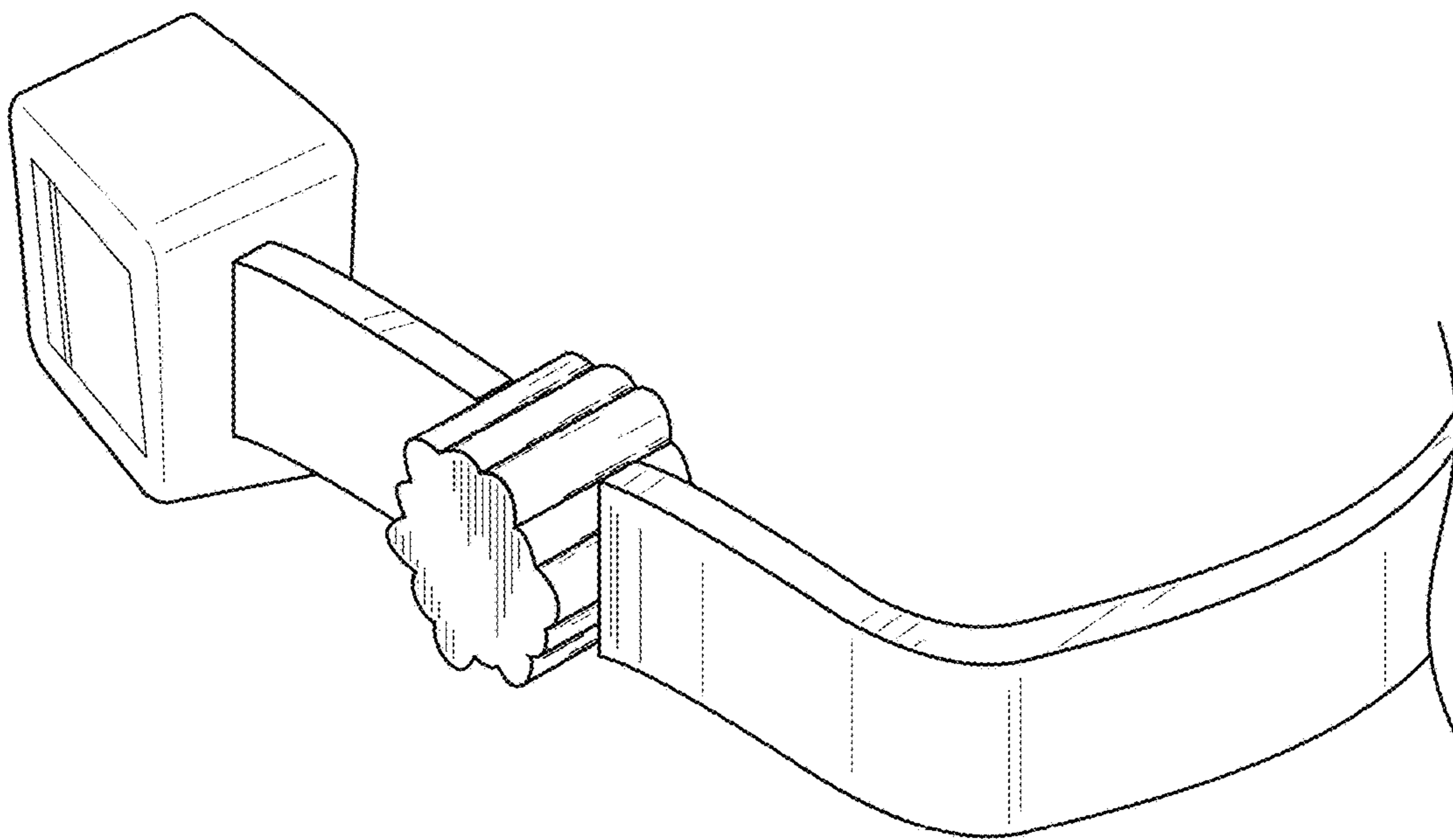


FIG. 3