



US00D785874S

(12) **United States Design Patent** (10) **Patent No.:** **US D785,874 S**  
**Ward et al.** (45) **Date of Patent:** **\*\* May 2, 2017**

(54) **TWO-MEAL PET FEEDER**

(71) Applicant: **Radio Systems Corporation**,  
Knoxville, TN (US)  
(72) Inventors: **Eric A. Ward**, Knoxville, TN (US);  
**Heather Williams**, Knoxville, TN (US);  
**Jacky Li**, Shenzhen (CN); **Kevin**  
**Michael Sayers**, Kodak, TN (US);  
**Robert A. Nytko**, Knoxville, TN (US)  
(73) Assignee: **Radio Systems Corporation**,  
Knoxville, TN (US)

(\*\*) Term: **15 Years**

(21) Appl. No.: **29/564,057**

(22) Filed: **May 10, 2016**

(51) **LOC (10) Cl.** ..... **30-03**

(52) **U.S. Cl.**  
USPC ..... **D30/122; D30/130; D30/129**

(58) **Field of Classification Search**  
USPC ..... D30/122, 130, 129, 131, 132, 121;  
119/51.01, 51.02, 51.11–51.15, 57.92, 63,  
119/61.5, 61.53–61.55, 72–74, 702, 707;  
D6/480–485; 248/188, 151; 312/204;  
108/153.1–157; 220/23.87, 630, 737,  
220/743, 9.4, 495.01, 574, 212, 255,  
220/23.83; 206/515; D7/586, 543,  
D7/550.1, 587, 505, 584, 545, 500,  
D7/553.1–553.8, 546, 555, 556, 504, 565,  
(Continued)

(56) **References Cited**

**U.S. PATENT DOCUMENTS**

2,157,682 A \* 5/1939 Sweeny ..... A01K 5/0291  
119/51.15  
2,677,350 A \* 5/1954 Prestidge ..... A01K 5/0142  
119/61.53

(Continued)

**OTHER PUBLICATIONS**

Digital Two Meal Feeder, 2-Meal Digital Pet Feeder (Japanese),  
PetSafe, 2017, 2 pages, <http://store.petsafe.net/digital-two-meal-pet-feeder>  
<http://store.intl.petsafe.net/en-jp/2-meal-digital-pet-feeder>.\*

(Continued)

*Primary Examiner* — Susan Moon Lee  
(74) *Attorney, Agent, or Firm* — Peter L. Brewer; Baker  
Donelson IP Group

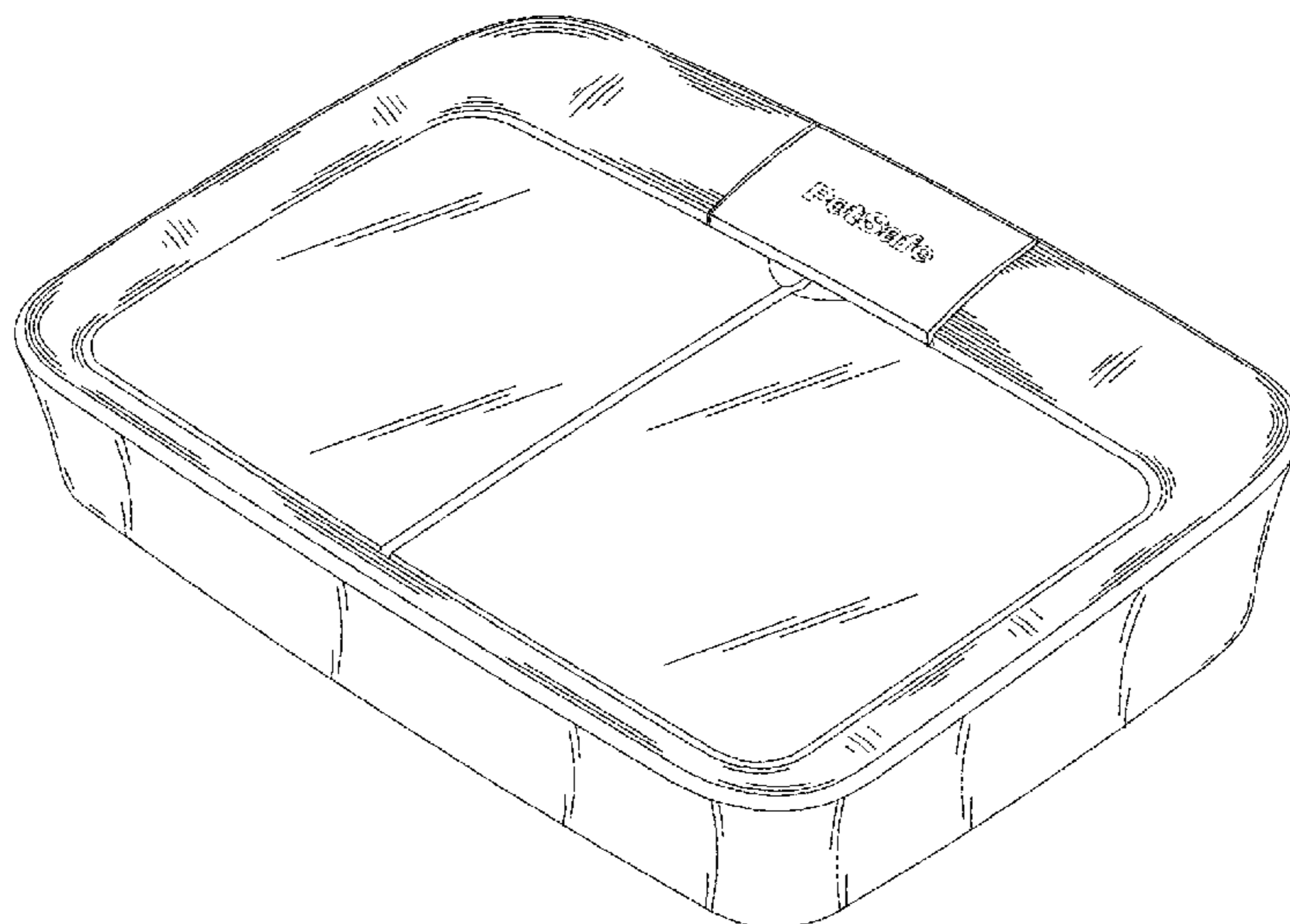
(57) **CLAIM**

The ornamental design for a two-meal pet feeder, as shown  
and described.

**DESCRIPTION**

FIG. 1 is a first perspective view showing our new design for  
a two-meal pet feeder, taken from a right front angle.  
FIG. 2 is a top view thereof.  
FIG. 3 is a bottom view thereof.  
FIG. 4 is a right side elevational view thereof.  
FIG. 5 is a left side elevational view thereof.  
FIG. 6 is a front perspective view thereof.  
FIG. 7 is a front elevational view thereof; and,  
FIG. 8 is a back elevational view thereof.  
The structural features shown in broken lines have been  
shown for the purpose of illustrating portions of the two-  
meal pet feeder that form no part of the claimed design.  
The broken lines for the trademark “PetSafe” are included  
for the purpose of illustrating environment and form no part  
of the claimed design.  
The use of oblique shading lines on the top and bottom of the  
feeder in FIGS. 1-3 is not indicative of transparency of  
material.  
The two-meal pet feeder operates on a timer.

**1 Claim, 4 Drawing Sheets**



(58) **Field of Classification Search**  
 USPC ..... D7/562, 602; D9/429; D22/122;  
 43/109; 99/430, DIG. 15  
 CPC ..... A01K 5/00; A01K 5/02; A01K 5/0291;  
 A01K 5/0275; A01K 5/0233; A01K  
 5/0283; A01K 5/0114; A01K 5/0121;  
 A01K 5/0128; A01K 5/0135; A01K  
 5/0142; A01K 7/02; A47J 43/0727; A01M  
 29/34; B29C 65/48; B65D 81/36  
 See application file for complete search history.

(56) **References Cited**  
 U.S. PATENT DOCUMENTS

3,121,419 A \* 2/1964 Gillespie ..... A01K 5/025  
 119/61.54  
 3,137,272 A \* 6/1964 Lepper ..... A01K 5/0291  
 119/51.12  
 3,176,656 A \* 4/1965 Bates ..... A01K 5/025  
 119/62  
 3,232,274 A \* 2/1966 Chatfield ..... A01K 5/0291  
 119/51.12  
 D204,369 S \* 4/1966 Lepper ..... D30/122  
 3,330,256 A \* 7/1967 De Vaux ..... A01K 5/0291  
 119/51.12  
 3,532,075 A \* 10/1970 Cooper ..... A01K 5/0291  
 119/51.12  
 3,631,840 A \* 1/1972 McCormack ..... A01K 5/0291  
 119/51.12  
 3,646,912 A \* 3/1972 Gardner ..... A01K 5/0291  
 119/51.12  
 3,785,348 A \* 1/1974 Polidori, Sr. .... A01K 1/0107  
 119/62  
 D232,103 S \* 7/1974 Suzuki ..... D30/130  
 D249,284 S \* 9/1978 Hericourt ..... D30/122  
 4,147,133 A \* 4/1979 Molnar ..... A01K 5/0233  
 119/55  
 4,164,200 A \* 8/1979 Gambling ..... A01K 5/0291  
 119/51.12  
 4,175,516 A \* 11/1979 Savage ..... A01K 5/025  
 119/62  
 4,185,588 A \* 1/1980 Harris ..... A01K 5/0291  
 119/51.12  
 4,192,256 A \* 3/1980 Clugston ..... A01K 5/0135  
 119/51.5  
 D257,692 S \* 12/1980 Thayer ..... D30/121  
 D269,045 S \* 5/1983 Easton ..... D30/130  
 4,473,031 A \* 9/1984 Bobeczko ..... A01K 5/0291  
 119/51.12  
 D278,371 S \* 4/1985 Strickland ..... D30/132  
 D286,455 S \* 10/1986 Pitzen ..... D30/122  
 4,644,903 A \* 2/1987 Shaver ..... A01K 5/0291  
 119/51.01  
 D289,808 S \* 5/1987 Gardner ..... D30/122  
 D290,051 S \* 5/1987 Corbett ..... D30/122  
 4,793,290 A \* 12/1988 O'Donnell ..... A01K 5/025  
 119/55  
 D312,150 S \* 11/1990 Ulemek ..... D30/122  
 D312,334 S \* 11/1990 Kirk ..... D30/122  
 D323,411 S \* 1/1992 Oathout ..... 119/62  
 5,265,560 A \* 11/1993 Dobbins ..... A01K 5/0291  
 119/51.11  
 5,458,087 A \* 10/1995 Prior ..... A01K 5/0114  
 119/51.5  
 5,546,894 A \* 8/1996 St-Pierre ..... A01K 5/025  
 119/61.55  
 5,709,169 A \* 1/1998 Ryles ..... A01K 5/025  
 119/62

D394,747 S 6/1998 Cuypers  
 D423,734 S \* 4/2000 Dahl ..... D30/131  
 6,062,166 A \* 5/2000 Macrina ..... A01K 7/02  
 119/51.11  
 D439,408 S 3/2001 Gibson et al.  
 D478,693 S \* 8/2003 Steinbacher ..... D30/130  
 D490,577 S 5/2004 Steinbacher et al.  
 D504,545 S 4/2005 Morosin et al.  
 D506,854 S \* 6/2005 Baker ..... 119/51.01  
 7,124,707 B1 \* 10/2006 Clarke ..... A01K 5/0114  
 119/51.01  
 7,124,709 B1 \* 10/2006 Greer ..... A01K 5/0114  
 119/61.5  
 D636,943 S \* 4/2011 Pilz ..... D30/122  
 D636,944 S 4/2011 Anderson et al.  
 D649,869 S \* 12/2011 Gibson ..... D9/421  
 D665,870 S 8/2012 Fang  
 8,347,817 B1 \* 1/2013 Miller ..... A01K 5/0233  
 119/54  
 D676,612 S 2/2013 Wygle  
 8,701,594 B2 \* 4/2014 Vickery ..... A01M 25/004  
 119/51.01  
 D719,705 S \* 12/2014 Hill ..... D30/130  
 D723,751 S \* 3/2015 Palmer ..... D30/130  
 D736,481 S 8/2015 Cornwell et al.  
 D743,113 S 11/2015 Hill  
 D753,349 S 4/2016 Sung  
 9,332,729 B1 \* 5/2016 Hyle ..... A01K 5/02  
 D771,878 S \* 11/2016 Zhang ..... D30/129  
 2003/0217699 A1 \* 11/2003 Arruarte  
 Mendizabal ..... A01K 5/0291  
 119/51.5  
 2005/0061252 A1 \* 3/2005 Meeks ..... A01K 5/025  
 119/51.02  
 2005/0173272 A1 \* 8/2005 Lemmons ..... A24F 23/00  
 206/256  
 2005/0241587 A1 \* 11/2005 Parrott ..... A01K 5/0291  
 119/51.12  
 2006/0032451 A1 \* 2/2006 Gonet ..... A01K 5/025  
 119/61.5  
 2006/0060480 A1 \* 3/2006 Budd ..... A24F 23/00  
 206/266  
 2007/0044723 A1 \* 3/2007 Anderbery ..... A01K 5/0291  
 119/51.02  
 2008/0011236 A1 \* 1/2008 Paez ..... A01K 5/0142  
 119/61.53  
 2008/0105205 A1 \* 5/2008 Goehring ..... A01K 5/0114  
 119/51.02  
 2009/0241840 A1 \* 10/2009 Mills ..... A01K 5/0114  
 119/51.02  
 2012/0285389 A1 \* 11/2012 Barz ..... A01K 5/0128  
 119/61.54  
 2014/0090601 A1 \* 4/2014 Stone ..... A01K 5/0114  
 119/51.01  
 2014/0290584 A1 \* 10/2014 Jones ..... A01K 7/02  
 119/57.92  
 2015/0040832 A1 \* 2/2015 Klein ..... A01K 5/0291  
 119/51.11

OTHER PUBLICATIONS

The Sporty, Bergan products (Coastal Pet supply Inc.), <https://www.moorepet.com/The-Sporty-p/ber-11831.htm>, 2017, 1 page.\*  
 PetSafe Five-Meat Timed Pet Feeder (accessed May 16, 2016).  
 PetSafe Two-Meat Timed Pet Feeder (accessed May 16, 2016).  
 CatMate Timed Pet Feeder (accessed May 16, 2016).  
 Feed and Go Six-Meat Timed Pet Feeder (accessed May 16, 2016).

\* cited by examiner

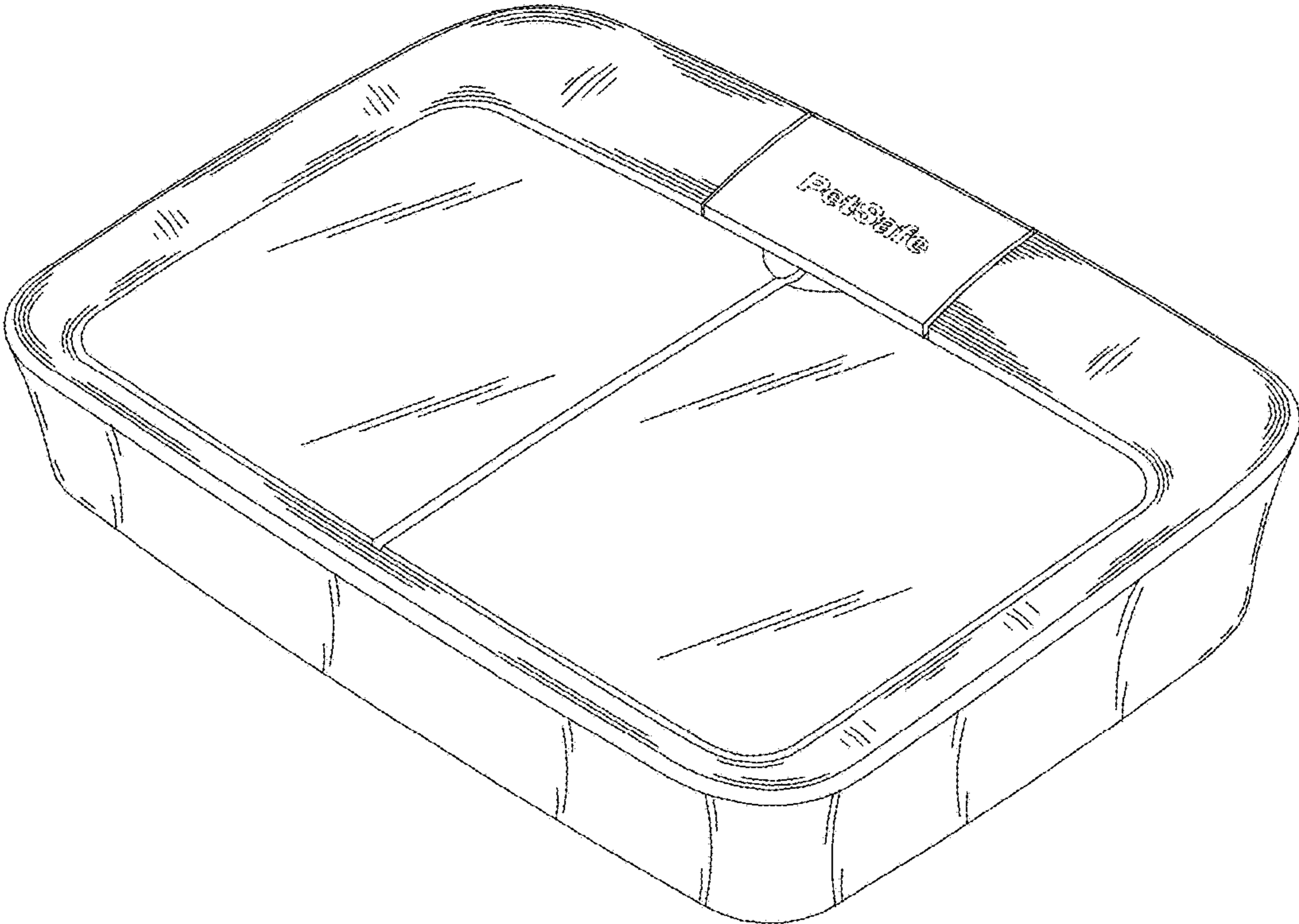


FIG. 1

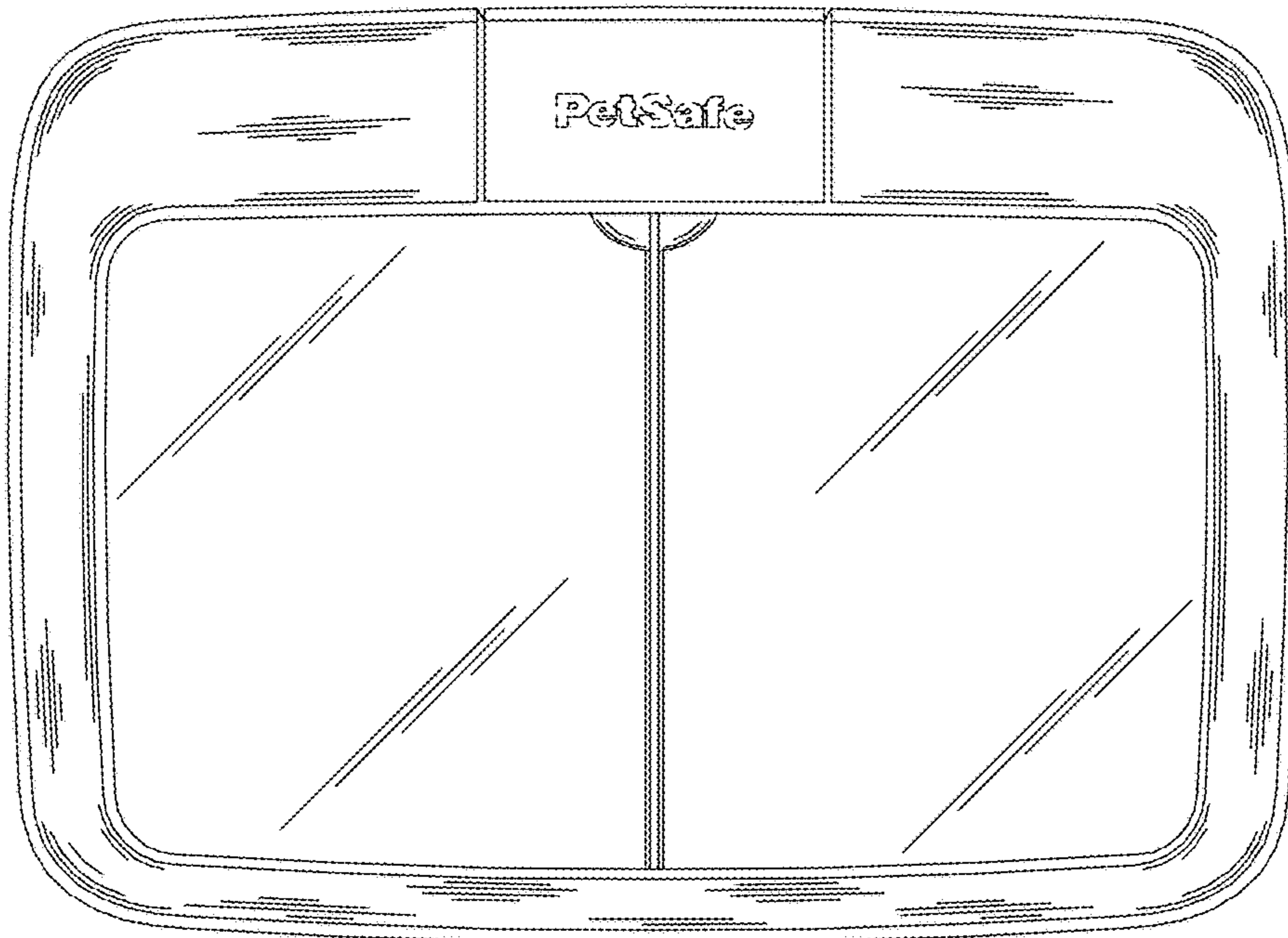


FIG. 2

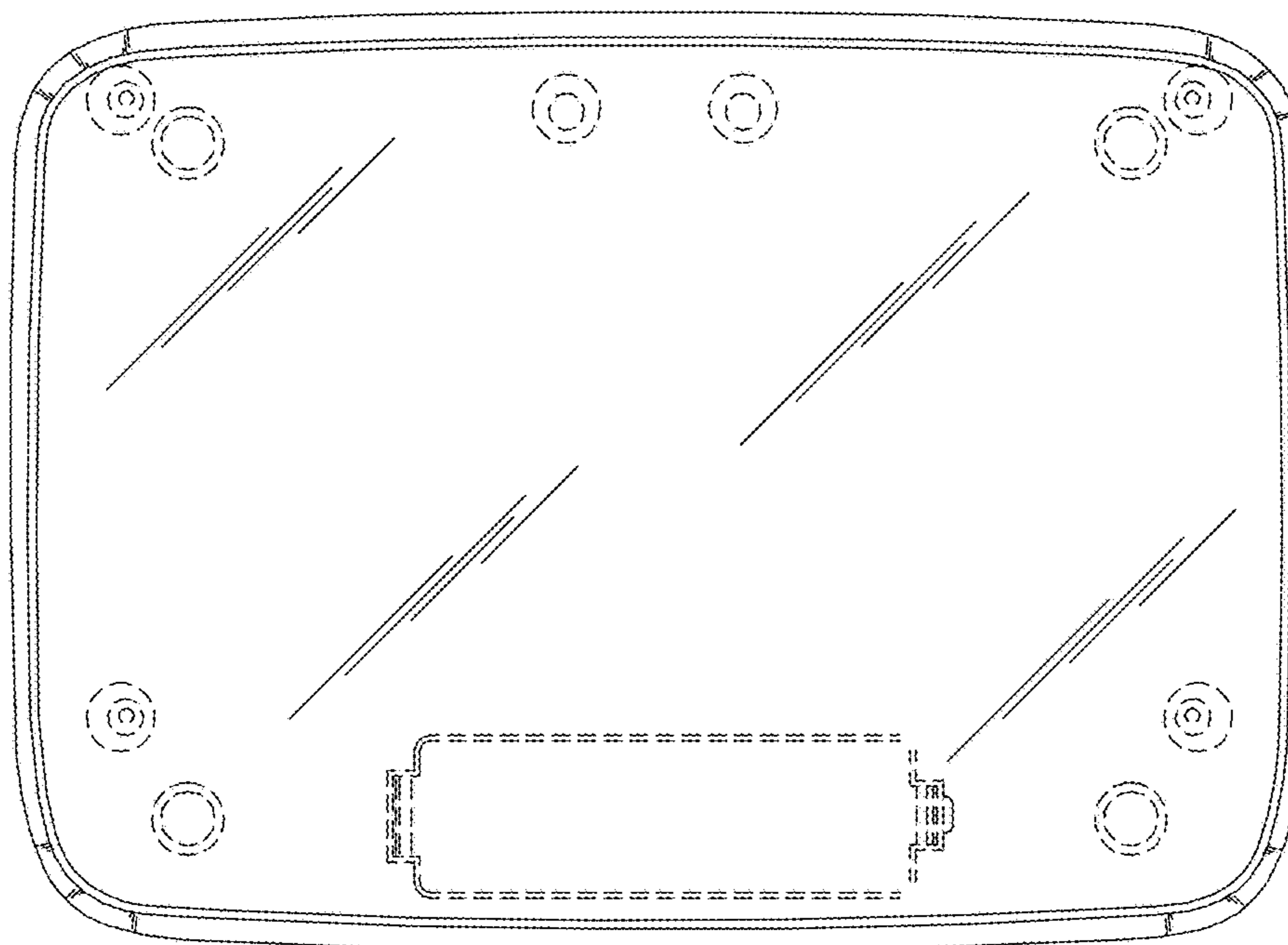


FIG. 3

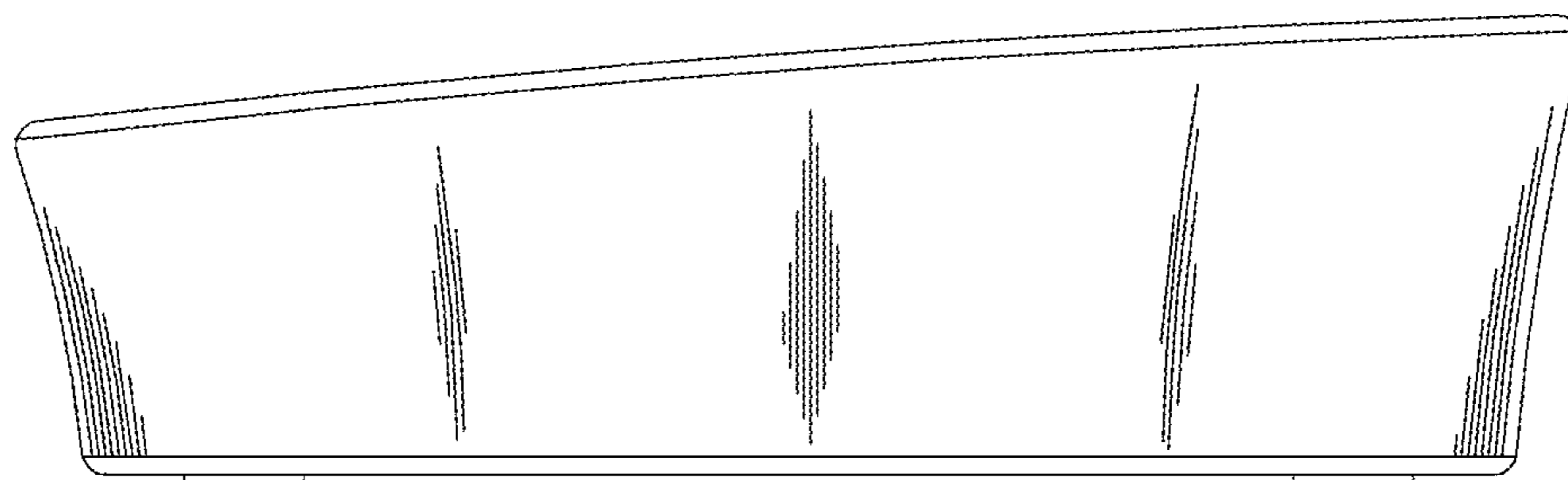


FIG. 4

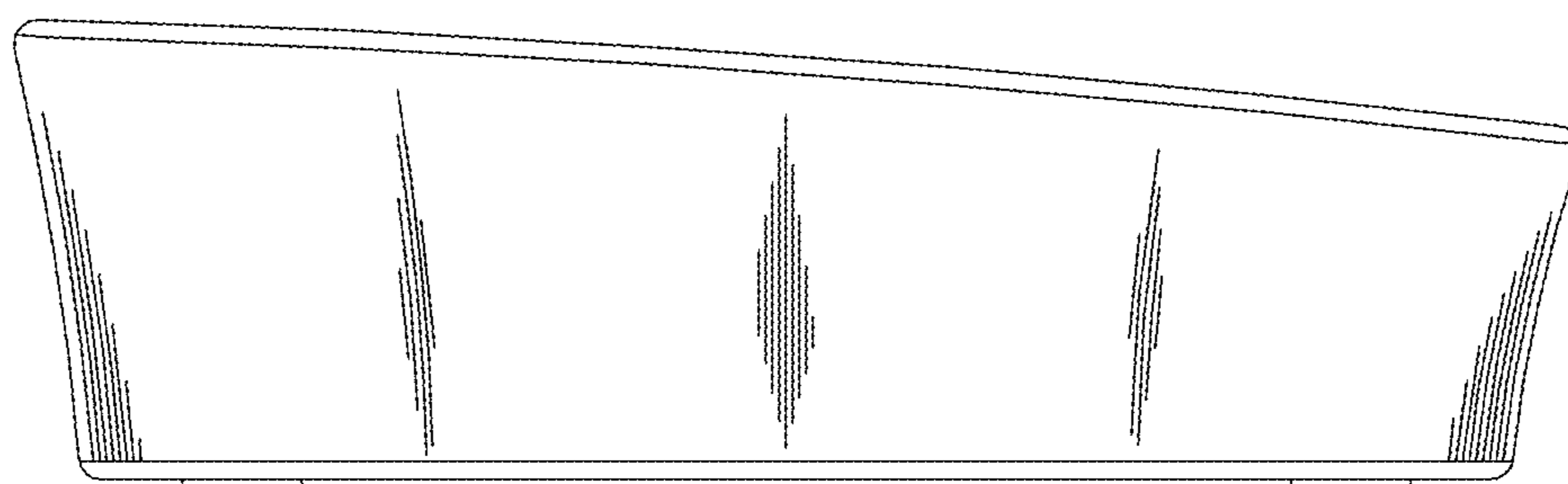


FIG. 5

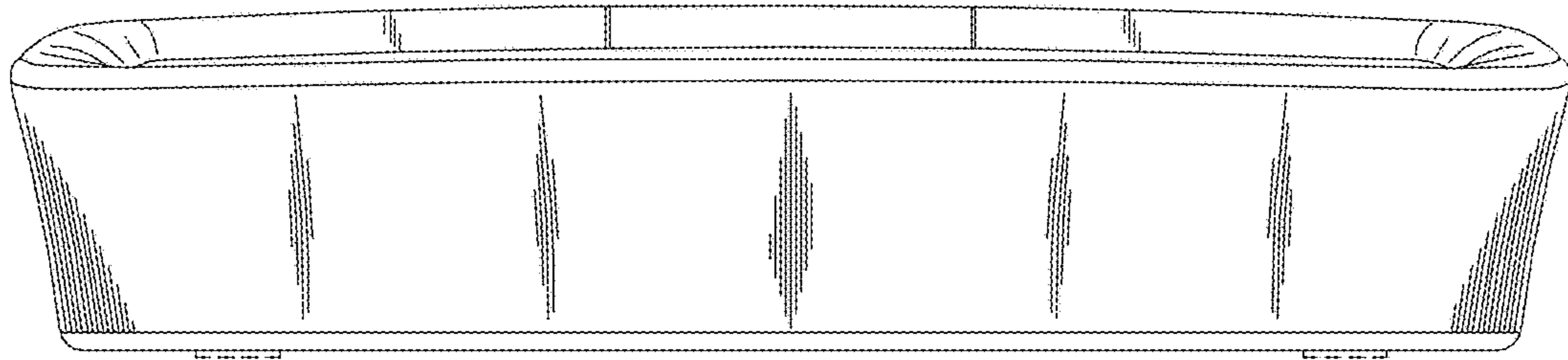


FIG. 6

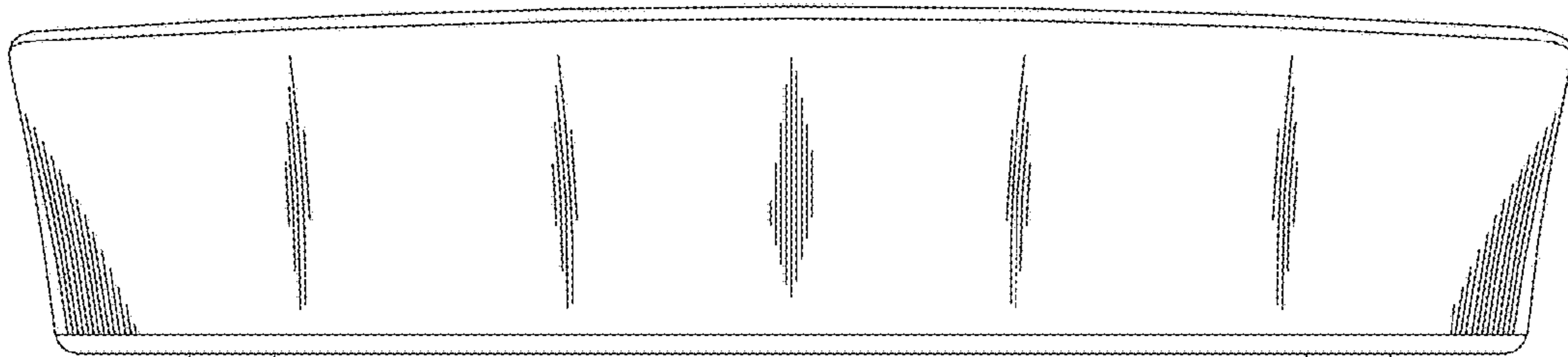


FIG. 7

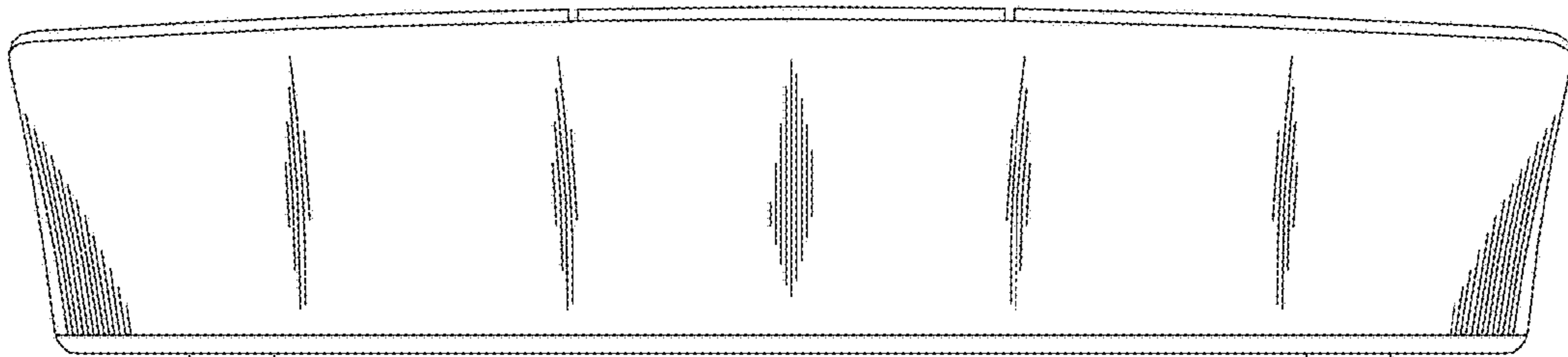


FIG. 8