



US00D785871S

(12) **United States Design Patent** (10) **Patent No.:** **US D785,871 S**
Staab et al. (45) **Date of Patent:** **** May 2, 2017**

(54) **CONTAINER**

- (71) Applicant: **Mary Kay Inc.**, Addison, TX (US)
- (72) Inventors: **Jenny DeMarco Staab**, Frisco, TX (US); **Priscilla Ober**, Addison, TX (US)
- (73) Assignee: **Mary Kay Inc.**, Addison, TX (US)
- (**) Term: **15 Years**
- (21) Appl. No.: **29/540,141**
- (22) Filed: **Sep. 21, 2015**
- (51) **LOC (10) Cl.** **28-03**
- (52) **U.S. Cl.**
USPC **D28/89**; D28/90
- (58) **Field of Classification Search**
USPC D28/85-90; D9/529, 503-505
(Continued)

(56) **References Cited**

U.S. PATENT DOCUMENTS

D179,870 S	3/1957	Wassyng et al.	D28/89
3,348,670 A	10/1967	Bau	401/63
3,990,577 A	11/1976	Delia	206/457
4,208,144 A	6/1980	Idec et al.	401/192
D271,050 S	10/1983	Berkman	D28/77
D272,952 S	3/1984	Holloway	D28/89
D275,040 S	8/1984	Holloway	D28/76
D279,827 S	7/1985	Buchet	D28/85
D280,032 S	8/1985	Holloway	D28/89

(Continued)

FOREIGN PATENT DOCUMENTS

CN	302223881	8/2012
CN	302783601	9/2013

(Continued)

OTHER PUBLICATIONS

Google image search for "mary kay lipstick" downloaded Jan. 3, 2017, 1 page.*

(Continued)

Primary Examiner — Jennifer Rivard

(74) *Attorney, Agent, or Firm* — Norton Rose Fulbright US LLP

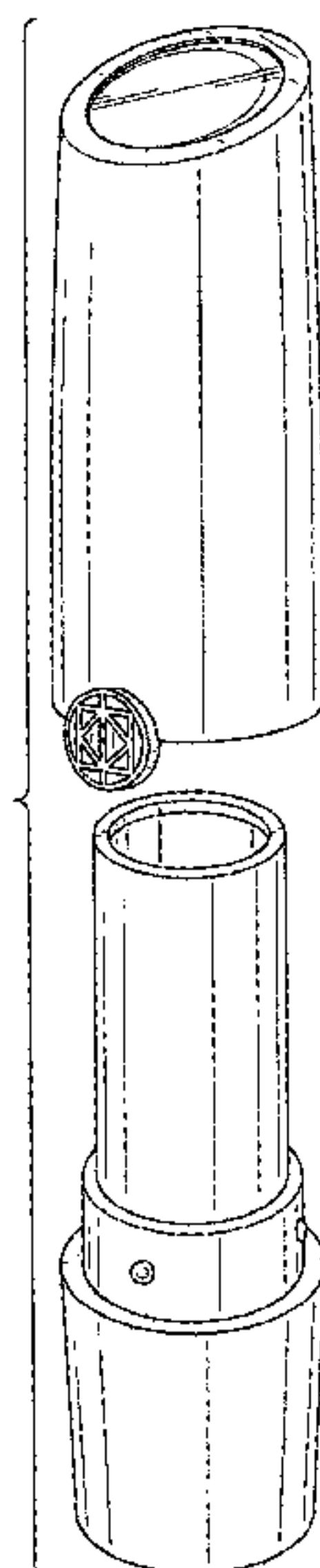
(57) **CLAIM**

The ornamental design for the container, as shown and described.

DESCRIPTION

FIG. 1 is an exploded top perspective view of a first embodiment of a container;
 FIG. 2 is a top perspective view of the assembled container shown in FIG. 1;
 FIG. 3 is a front view of the container shown in FIG. 2
 FIG. 4 is a back view of the container shown in FIG. 2;
 FIG. 5 is a right side view of the container shown in FIG. 2;
 FIG. 6 is a left side view of the container shown in FIG. 2;
 FIG. 7 is a top view of the container shown in FIG. 2;
 FIG. 8 is a bottom view of the container shown in FIG. 2;
 FIG. 9 is an exploded top perspective view of a second embodiment of a container;
 FIG. 10 is a top perspective view of the assembled container shown in FIG. 9;
 FIG. 11 is a front view of the container shown in FIG. 10;
 FIG. 12 is a back view of the container shown in FIG. 10;
 FIG. 13 is a right side view of the container shown in FIG. 10;
 FIG. 14 is a left side view of the container shown in FIG. 10;
 FIG. 15 is a top view of the container shown in FIG. 10; and,
 FIG. 16 is a bottom view of the container shown in FIG. 10.
 The dashed lines in FIGS. 9 and 15 illustrate portions of the container and form no part of the claimed design.

1 Claim, 8 Drawing Sheets



(58) **Field of Classification Search**

CPC A45D 2040/0006; A45D 2040/0012; A45D
2040/0025–2040/0062; A45D 40/26;
A45D 40/06; A45D 40/24; A45D 40/20
See application file for complete search history.

(56) **References Cited**

U.S. PATENT DOCUMENTS

D280,140	S	8/1985	Bakic	D28/85
D280,141	S	8/1985	Holloway	D28/89
D280,451	S	9/1985	Bakic	D28/88
D283,454	S	4/1986	Holloway	D28/88
4,579,134	A	4/1986	Moore	I32/320
D284,119	S	6/1986	Holloway	D28/89
D298,472	S	* 11/1988	Simonetti	D28/85
D331,815	S	12/1992	DiSomma et al.	D28/4
5,183,349	A	* 2/1993	Kamen	A45D 40/02 401/194
D343,028	S	1/1994	Chen	D28/87
D349,176	S	7/1994	Litton	D28/76
D352,133	S	11/1994	Wacker	D28/88
D368,555	S	4/1996	Wacker	D28/89
D416,357	S	11/1999	Gobe	D28/89
D420,466	S	2/2000	Coates et al.	D28/76
D420,766	S	2/2000	Coates et al.	D28/76
D420,767	S	2/2000	Coates et al.	D28/76
D421,156	S	2/2000	Coates et al.	D28/76
D425,256	S	* 5/2000	Gavin	D28/85
D426,030	S	5/2000	Heeter et al.	D28/85
D441,145	S	4/2001	Chang	D28/88
D441,916	S	5/2001	Faillant-Dumas	D28/88
D446,606	S	8/2001	Look	D28/77
D446,607	S	8/2001	Look	D28/77
D447,602	S	9/2001	Dumler et al.	D28/76
D448,120	S	9/2001	Look	D28/77
D448,121	S	9/2001	Gebb et al.	D28/88
D467,391	S	12/2002	Orsomando	D28/76
D468,060	S	12/2002	Orsomando	D28/89
D469,694	S	2/2003	Lerolle	D9/522
D472,812	S	4/2003	Lerolle	D9/504
D473,974	S	4/2003	Fuller	D28/89
D478,690	S	8/2003	Sgariboldi	D28/85
D479,017	S	8/2003	Sgariboldi	D28/85
D480,513	S	10/2003	Fuller	D28/85
D483,155	S	12/2003	Orsomando	D28/89
D505,519	S	* 5/2005	Korba	D28/85
D506,392	S	6/2005	Dedancourt	D9/522
D513,815	S	1/2006	Hollmann et al.	D28/88
D516,916	S	3/2006	Cornet et al.	D9/504
D521,383	S	5/2006	Priestman	D9/529
D521,384	S	5/2006	Priestman	D9/529
D521,385	S	5/2006	Priestman	D9/529
D521,386	S	5/2006	Priestman	D9/529
D522,367	S	6/2006	Bakic	D9/504
D526,205	S	8/2006	Priestman	D9/529
D527,269	S	8/2006	Priestman	D9/529

D528,920	S	9/2006	Priestman	D9/529
D532,557	S	11/2006	Bakic	D28/76
D532,936	S	11/2006	Bakic	D28/76
D538,478	S	3/2007	Chen	D28/85
D538,480	S	3/2007	Chen	D28/88
D538,481	S	3/2007	Decker	D28/89
D538,482	S	3/2007	Martinez	D28/89
D538,483	S	3/2007	Bakic	D28/89
D539,984	S	4/2007	Egawa	D28/89
D541,990	S	5/2007	Hsu	D28/89
D552,798	S	10/2007	Py et al.	D28/88
D553,800	S	10/2007	Hollmann et al.	D28/89
D554,291	S	10/2007	Darnell et al.	D28/76
D554,505	S	11/2007	Gilbert	D9/503
D563,223	S	3/2008	Cornet et al.	D9/504
D564,706	S	3/2008	Kadlubowski et al.	D28/76
D565,795	S	4/2008	Ivanova	D28/76
D565,797	S	4/2008	Maddy	D28/88
D570,051	S	5/2008	Bakic	D28/88
D585,601	S	1/2009	Althoff et al.	D28/76
D618,397	S	6/2010	Dubitsky et al.	D28/89
D623,949	S	9/2010	Thronsen	D9/504
D632,014	S	2/2011	Lee	D28/76
D632,017	S	2/2011	Lee	D28/89
D639,166	S	6/2011	Carreno	D9/504
D650,673	S	12/2011	Baek	D9/504
D650,674	S	12/2011	Baek	D9/504
D655,867	S	3/2012	Allen et al.	D28/88
D663,483	S	7/2012	Lee	D28/76
D671,836	S	12/2012	DeMarco	D9/503
D671,837	S	12/2012	Rosenberg	D9/504
D673,325	S	12/2012	Martines	D28/4
D685,528	S	7/2013	Chang	D28/89
D691,889	S	10/2013	Mettler et al.	D9/504
D692,184	S	10/2013	DeMarco et al.	D28/88
D699,579	S	2/2014	Cole et al.	D9/503
D701,346	S	3/2014	Hefetz et al.	D28/89
D702,554	S	4/2014	Cole et al.	D9/503
D703,384	S	4/2014	DeMarco et al.	D28/88
D705,657	S	5/2014	Cole et al.	D9/503
D708,524	S	* 7/2014	White	D9/504
D728,371	S	5/2015	Behar et al.	D9/504
D739,077	S	* 9/2015	Kloman	D28/4

FOREIGN PATENT DOCUMENTS

CN	302984526	4/2014
CN	303322995	2/2015
KR	3020140055982	11/2014
TW	177667	1/1992
TW	488908	5/2002

OTHER PUBLICATIONS

Google image search for “marc jacobs lipstick” downloaded Jan. 3, 2017, 1 page.*

* cited by examiner

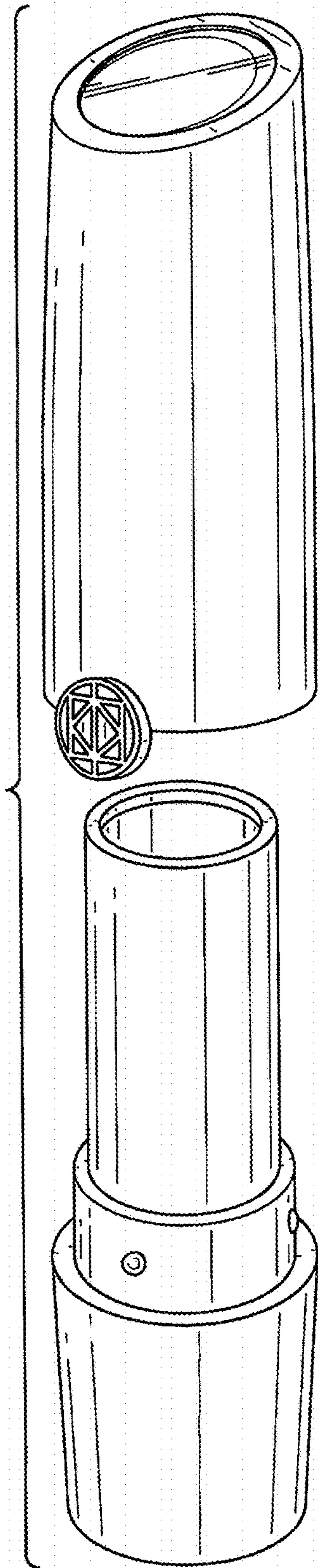


FIG. 1

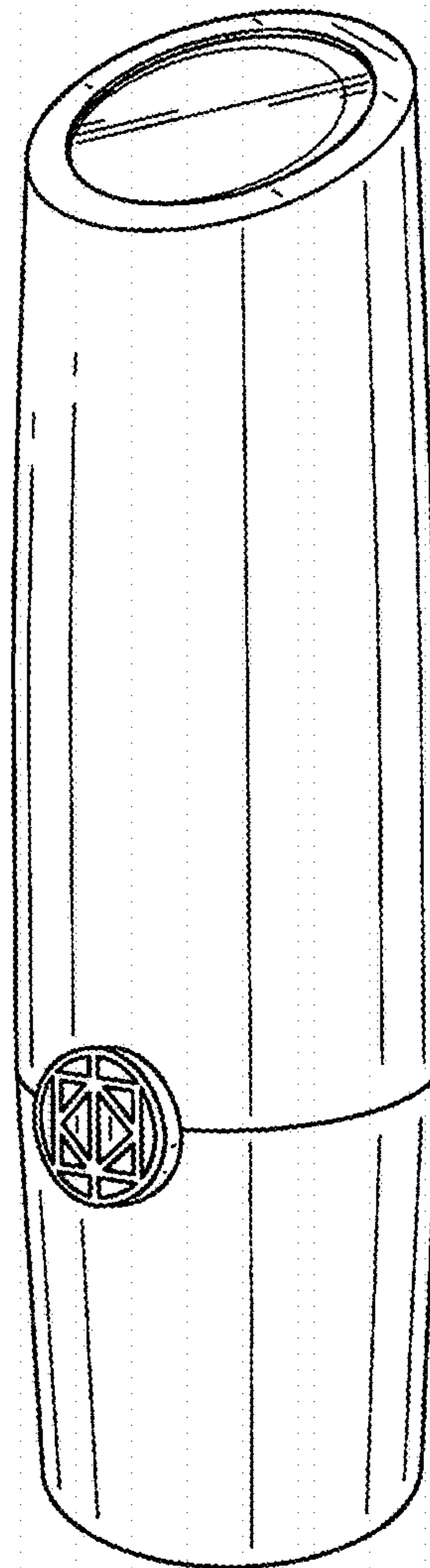


FIG. 2

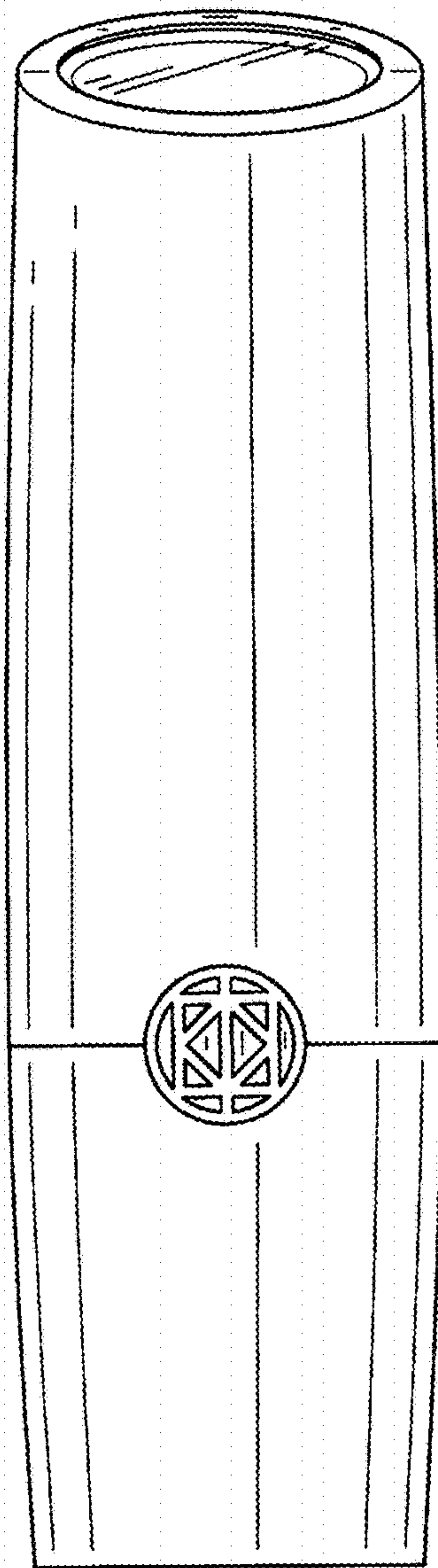


FIG. 3

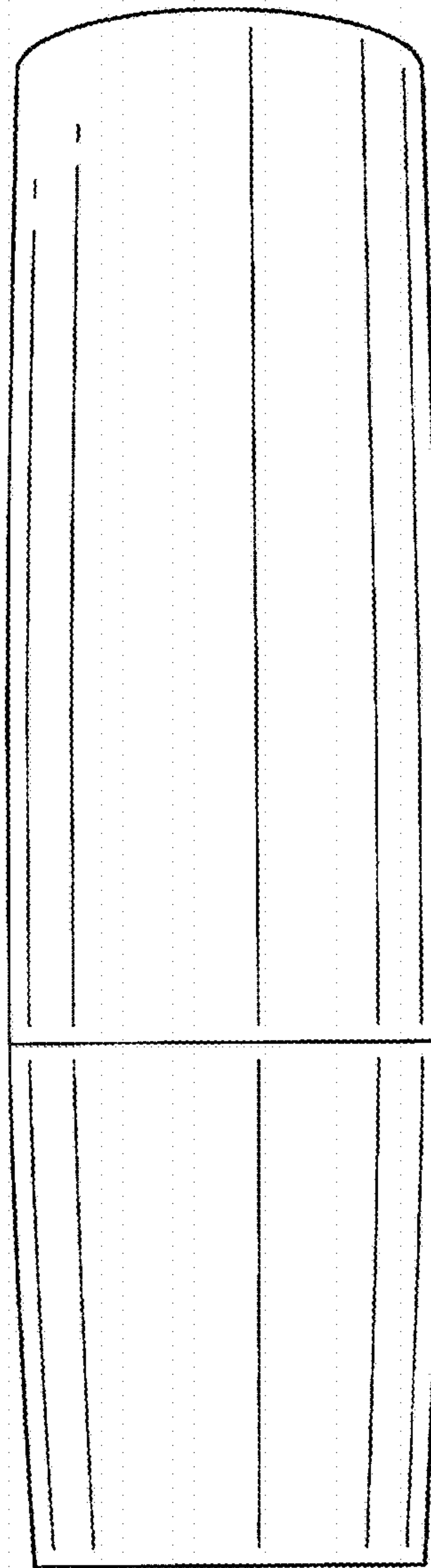


FIG. 4

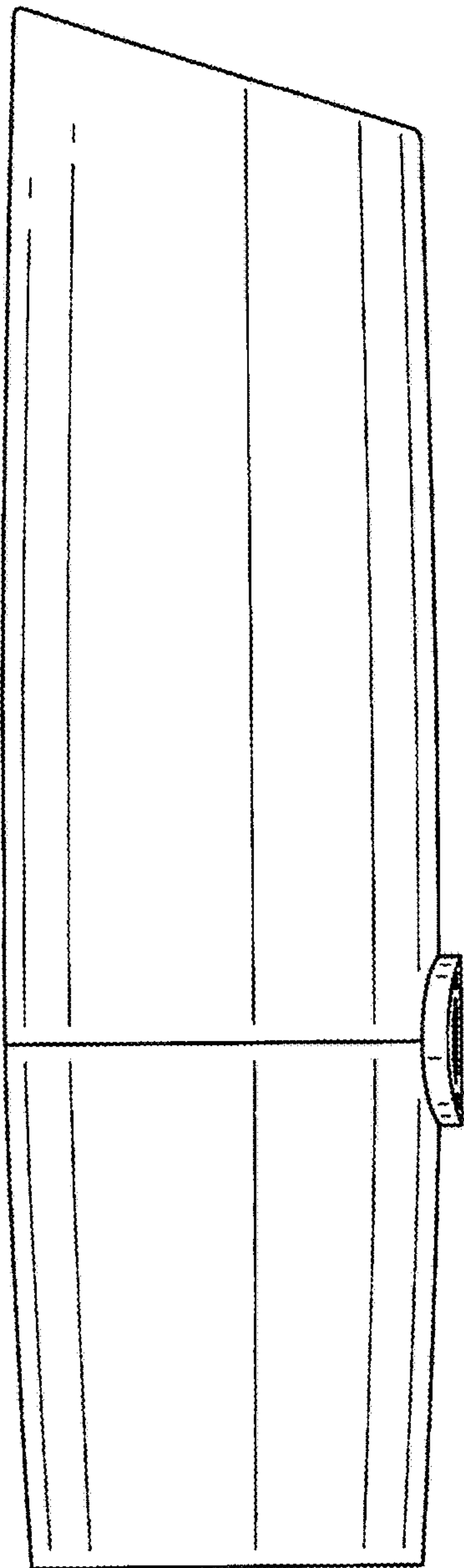


FIG. 5

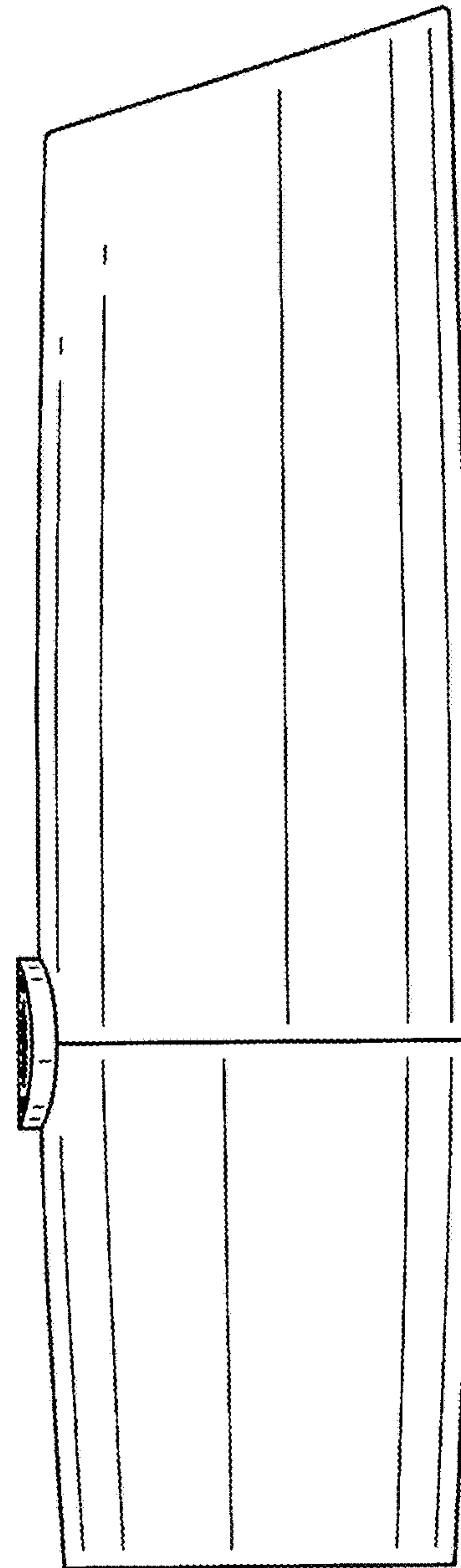


FIG. 6

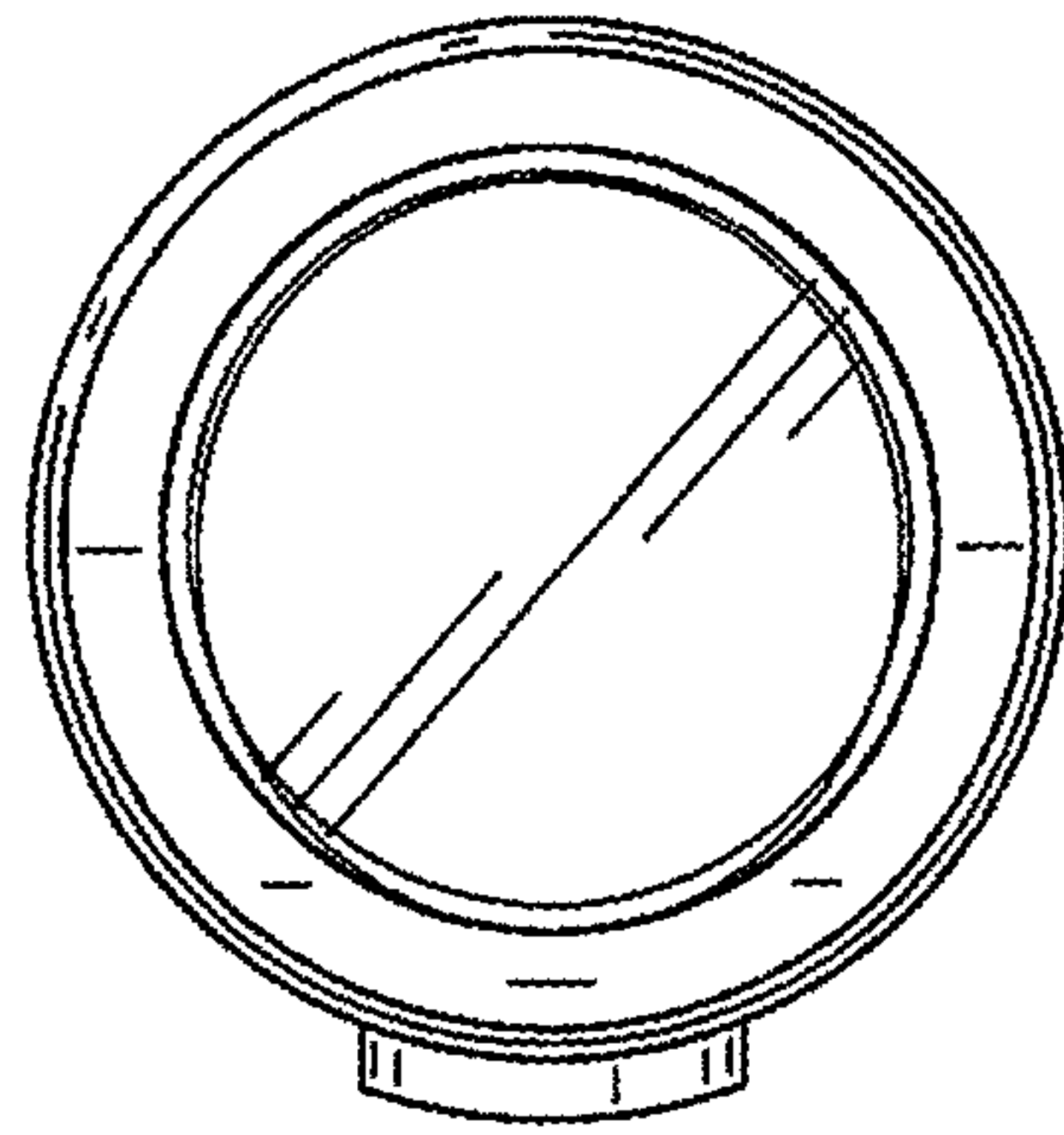


FIG. 7

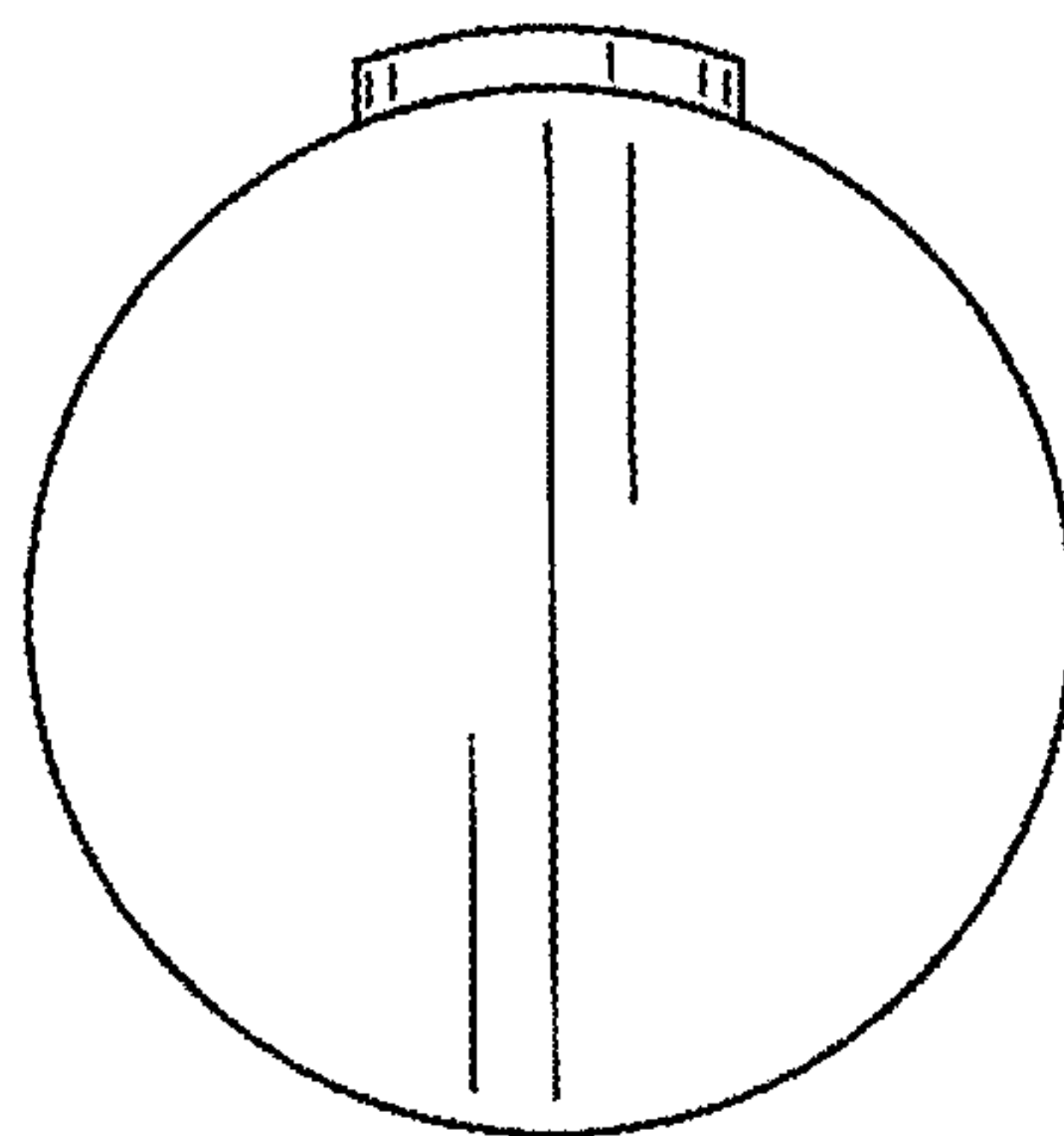


FIG. 8

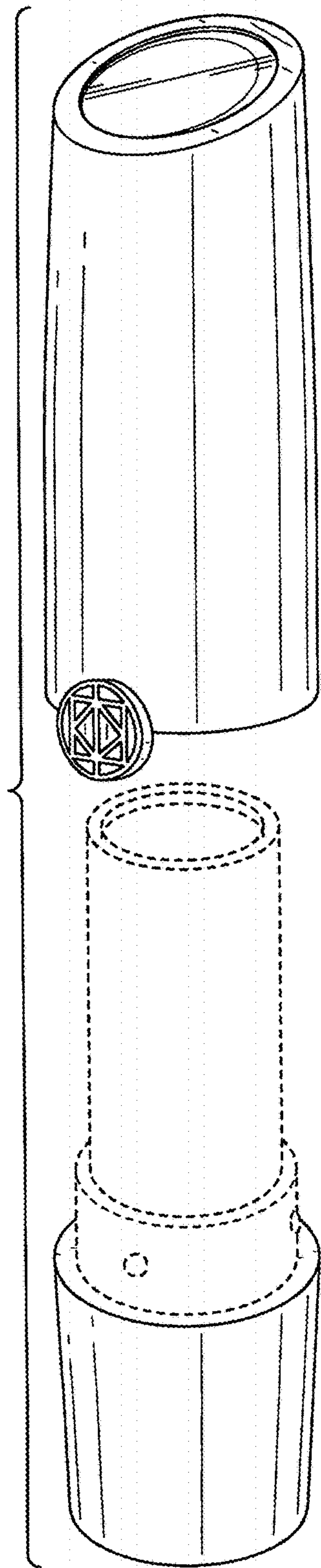


FIG. 9

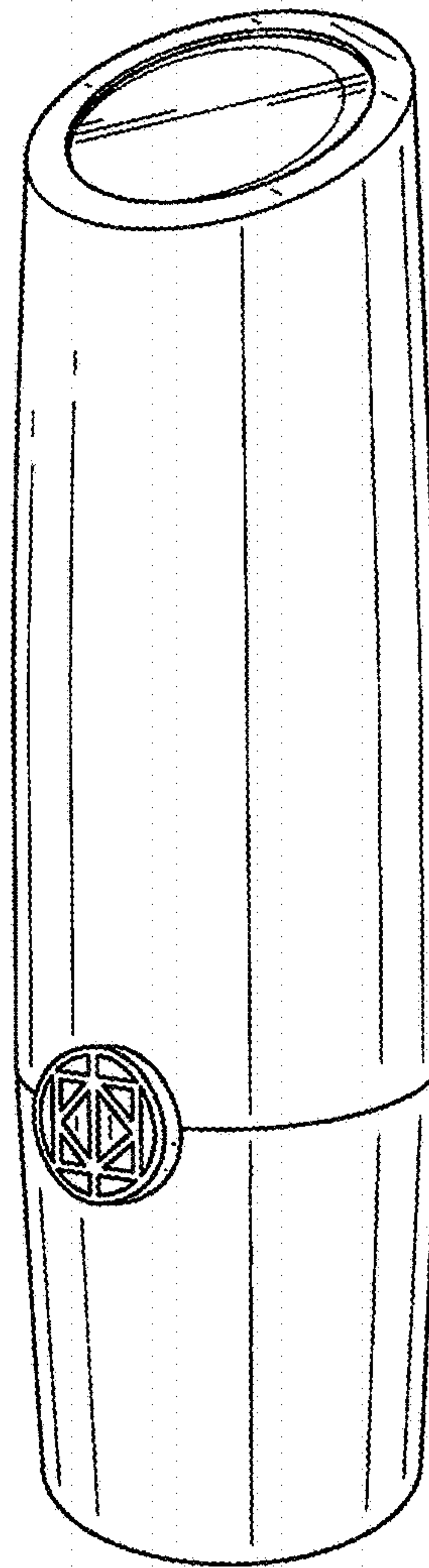


FIG. 10

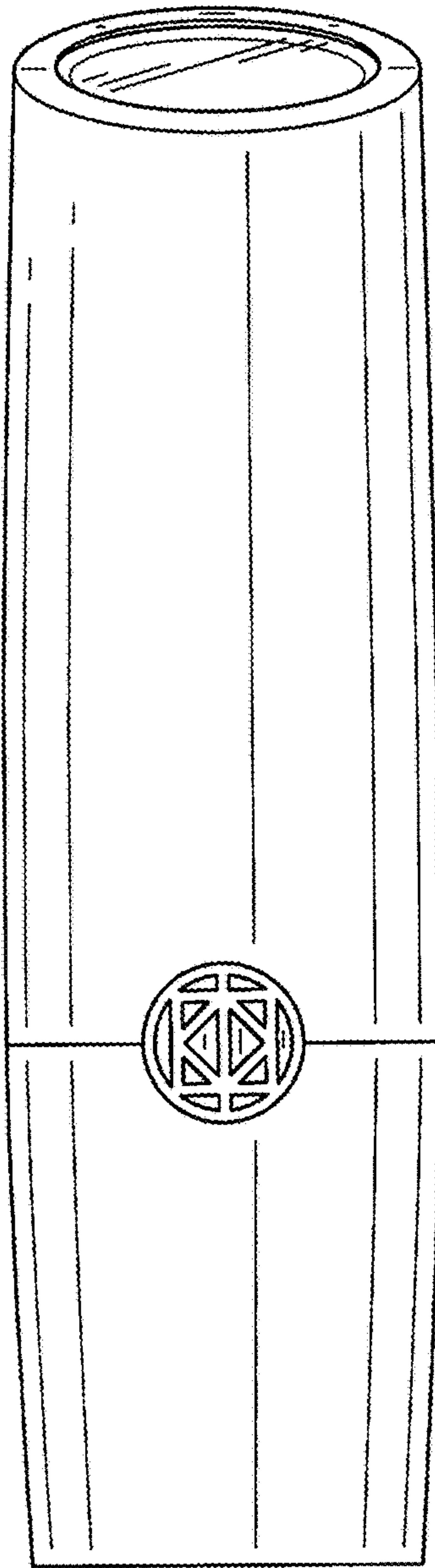


FIG. 11

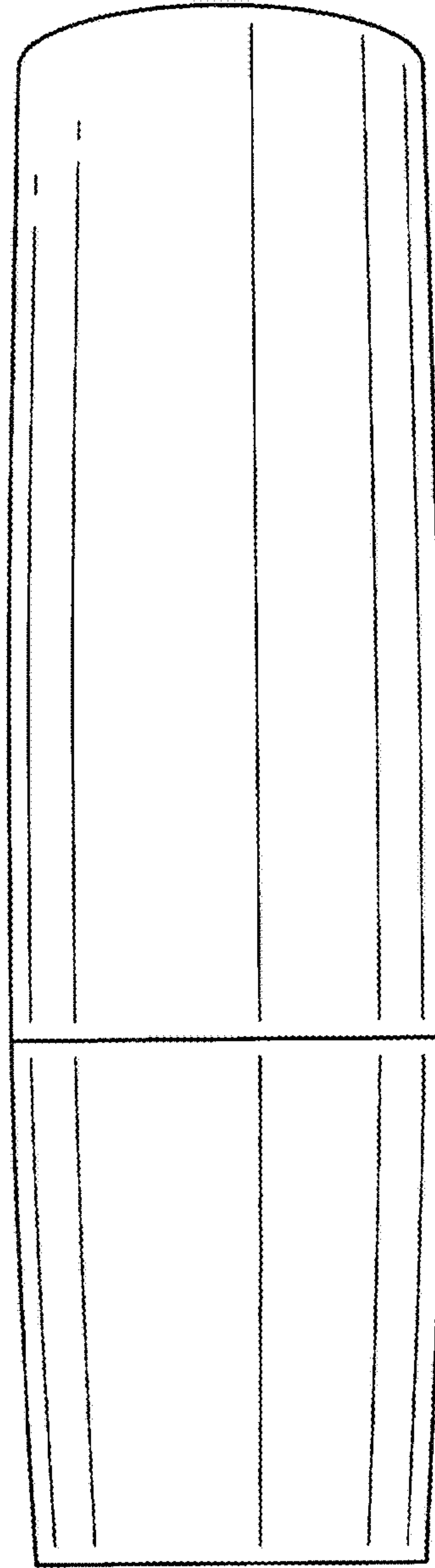


FIG. 12

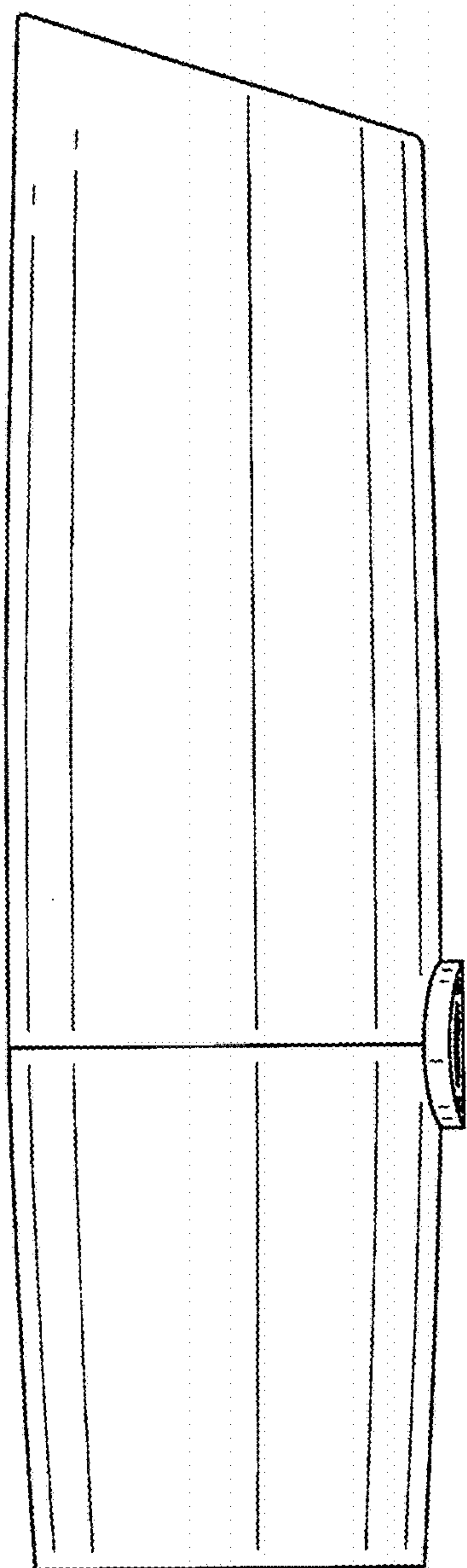


FIG. 13

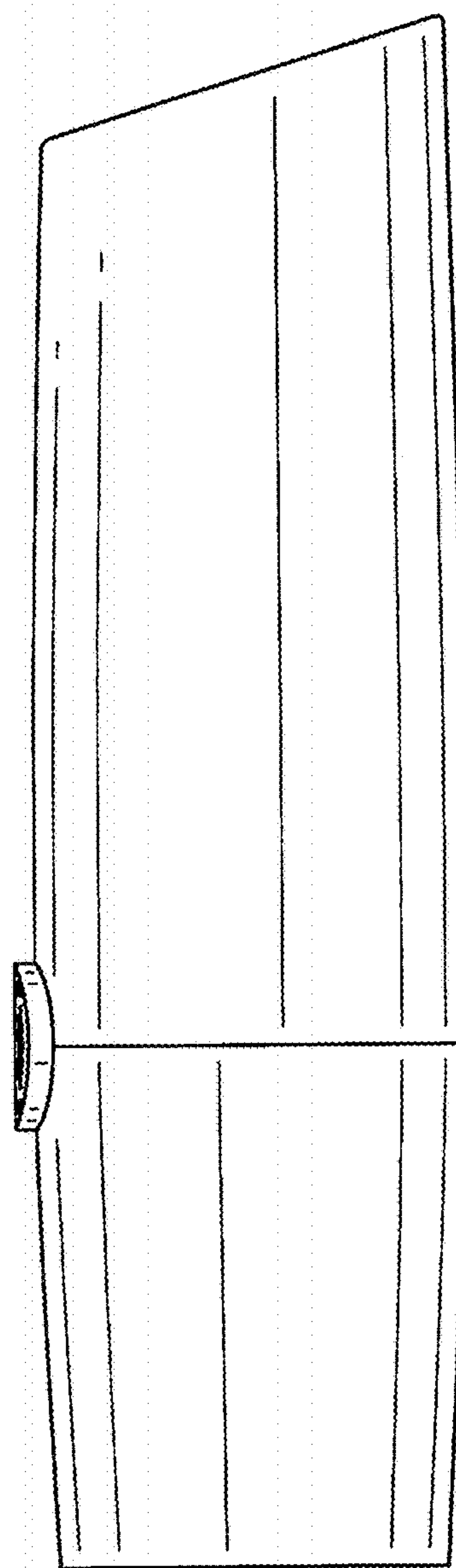


FIG. 14

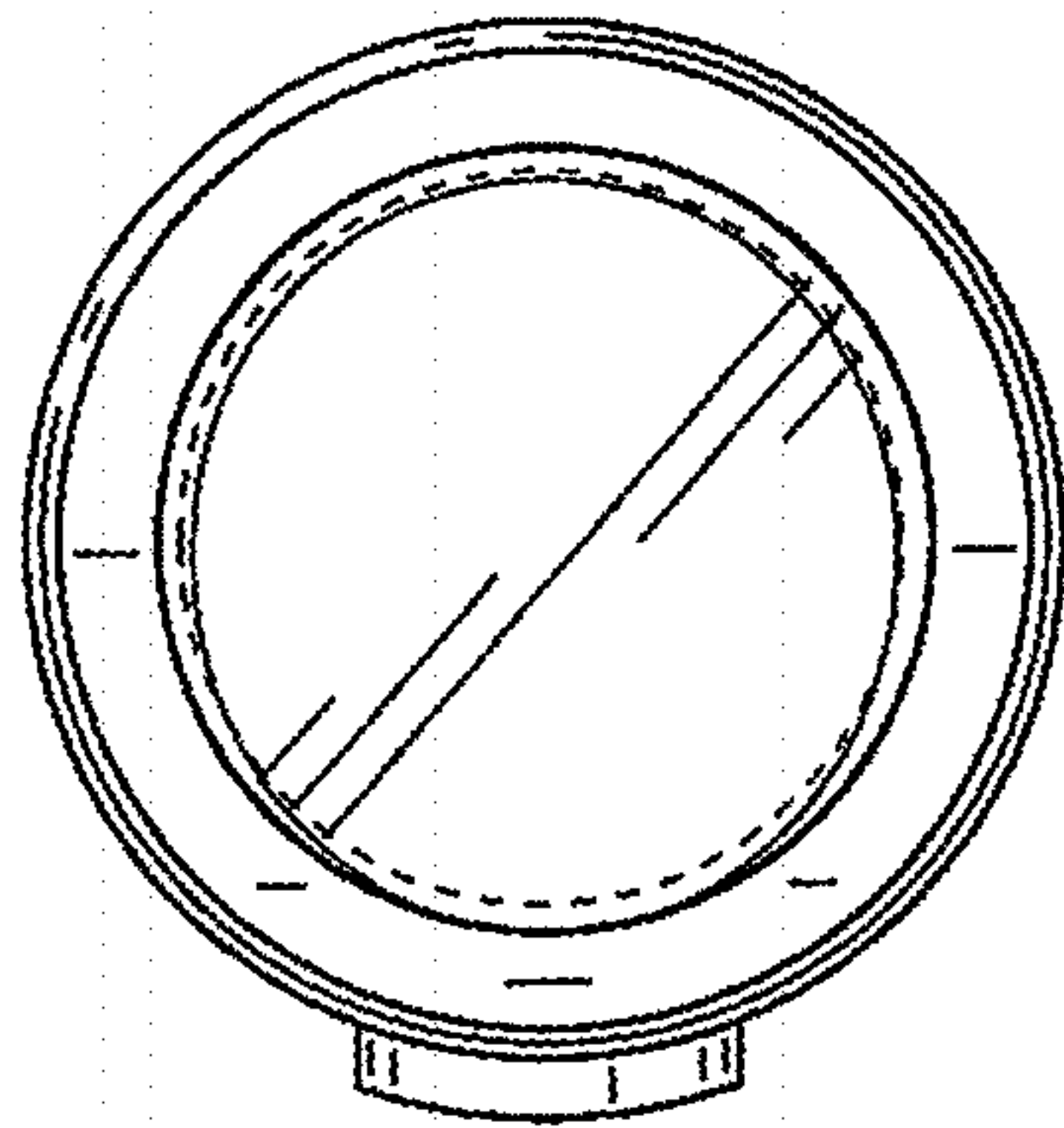


FIG. 15

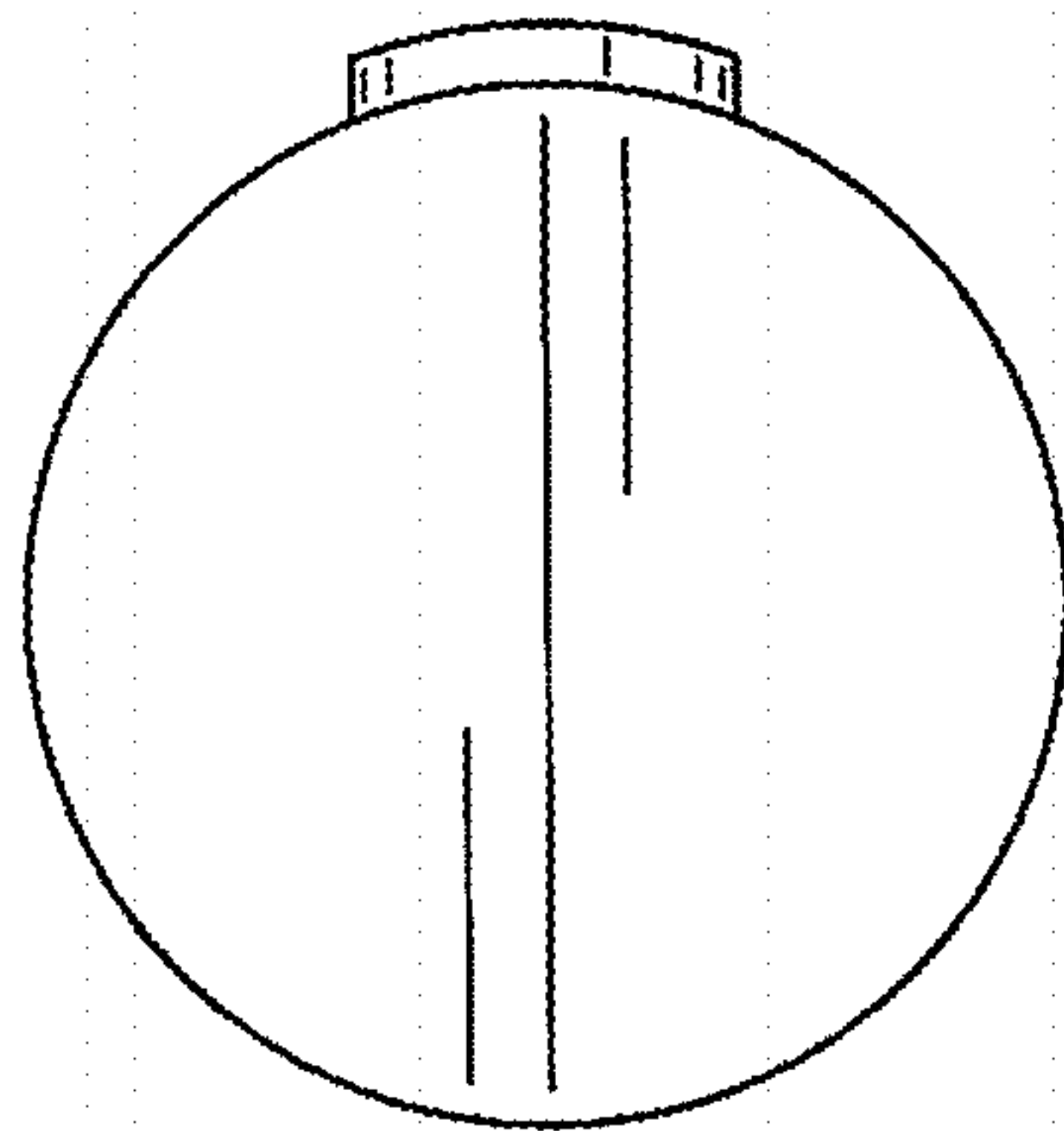


FIG. 16