



US00D785870S

(12) **United States Design Patent** (10) **Patent No.:** **US D785,870 S**
Dadon (45) **Date of Patent:** **** *May 2, 2017**

- (54) **LED NAIL DRYER LAMP**
- (71) Applicant: **Lior Dadon**, Tarzana, CA (US)
- (72) Inventor: **Lior Dadon**, Tarzana, CA (US)
- (*) Notice: This patent is subject to a terminal disclaimer.
- (**) Term: **15 Years**
- (21) Appl. No.: **29/540,465**
- (22) Filed: **Sep. 24, 2015**
- (51) **LOC (10) Cl.** **28-03**
- (52) **U.S. Cl.**
USPC **D28/58; D28/54.1**
- (58) **Field of Classification Search**
USPC D28/56, 57, 58, 54.1
CPC A45D 44/00; A45D 29/00; A45D 29/20;
A45D 29/22; A45D 29/14
See application file for complete search history.

2013/0161531	A1	6/2013	Haile	
2013/0313445	A1*	11/2013	Watson	A45D 29/00 250/492.1
2014/0231677	A1*	8/2014	Cheng	A45D 29/00 250/492.1
2015/0230582	A1*	8/2015	Alexander	A45D 29/00 34/239
2016/0089694	A1*	3/2016	Jih	A45D 29/00 34/202
2016/0095410	A1*	4/2016	Wan	A45D 29/00 362/362

* cited by examiner

Primary Examiner — Jennifer Rivard
(74) *Attorney, Agent, or Firm* — Robert J. Lauson;
Lauson & Tarver LLP

(57) **CLAIM**

I claim the ornamental design for a LED nail dryer lamp, as shown and described.

(56) **References Cited**

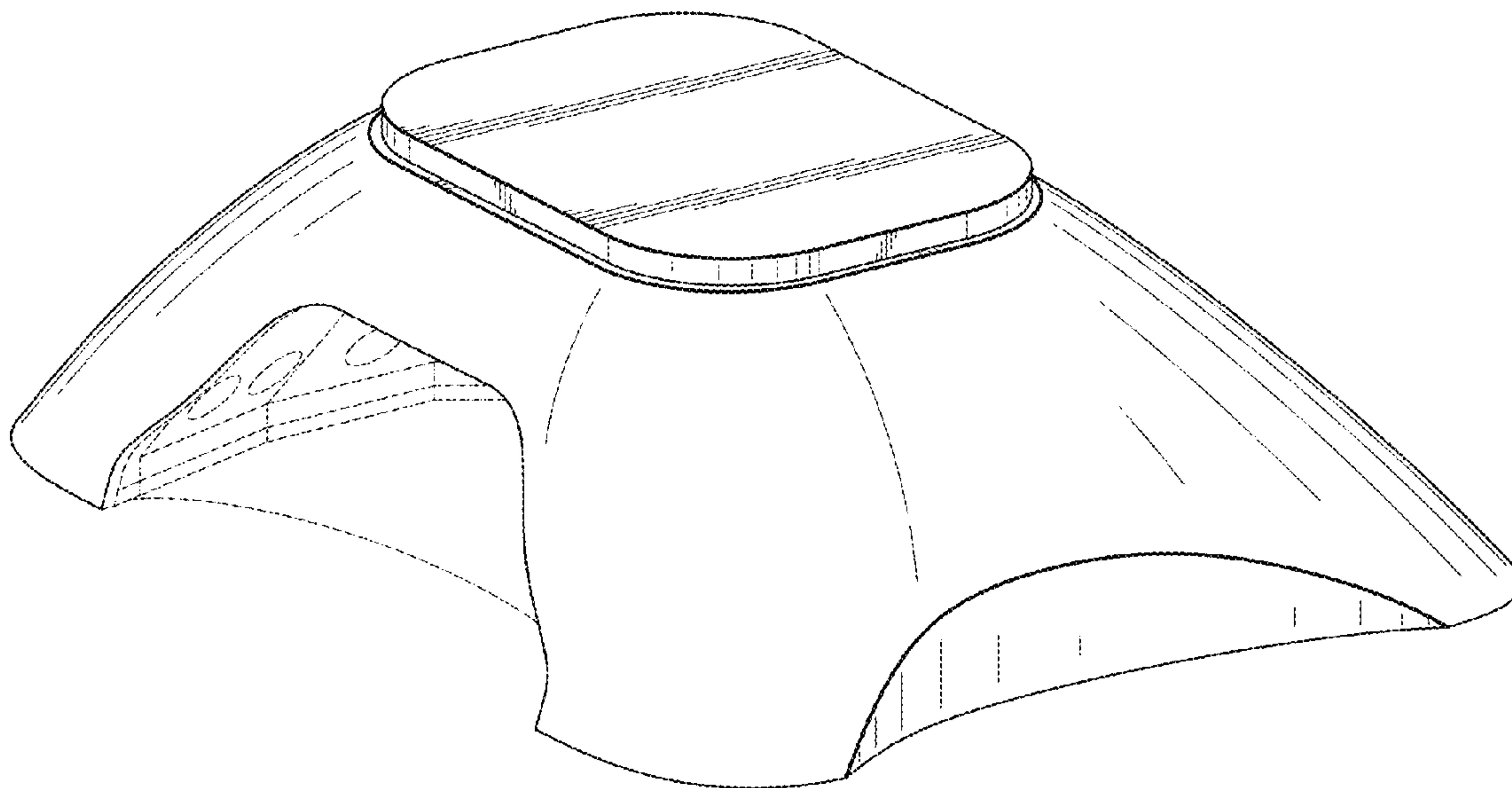
U.S. PATENT DOCUMENTS

D299,559	S	1/1989	Wong	
5,280,679	A	1/1994	Edelman	
D601,302	S	9/2009	Chang	
D661,021	S *	5/2012	Chang	D28/54.1
D680,272	S	4/2013	Cheng	
D690,467	S	9/2013	Jing	
D692,617	S	10/2013	Haile	
D715,494	S	10/2014	Kim	
D734,548	S *	7/2015	Dadon	D28/54.1
D751,761	S *	3/2016	Jih	D28/54.1
D765,913	S *	9/2016	Dadon	D28/58

DESCRIPTION

FIG. 1 is a perspective view of the preferred embodiment. FIG. 2 is a top plan view of the preferred embodiment. FIG. 3 is a front view of the preferred embodiment. FIG. 4 is a rear view of the preferred embodiment; and, FIG. 5 is a left side view of the preferred embodiment, the right side view being a mirror image thereof. The broken lines shown are included for the purpose of illustrating portions of the LED nail dryer lamp that form no part of the claim.

1 Claim, 3 Drawing Sheets



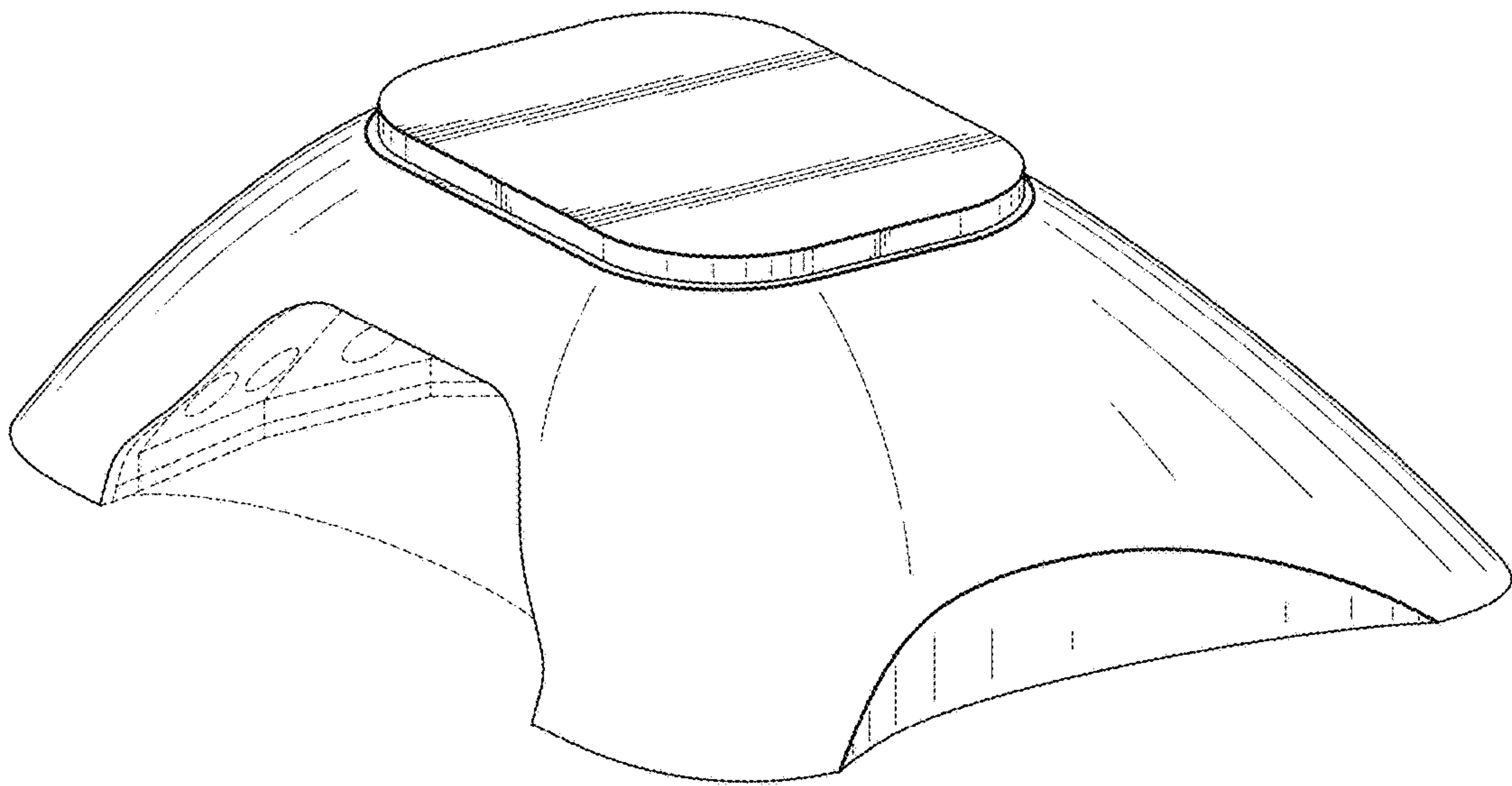


FIG. 1

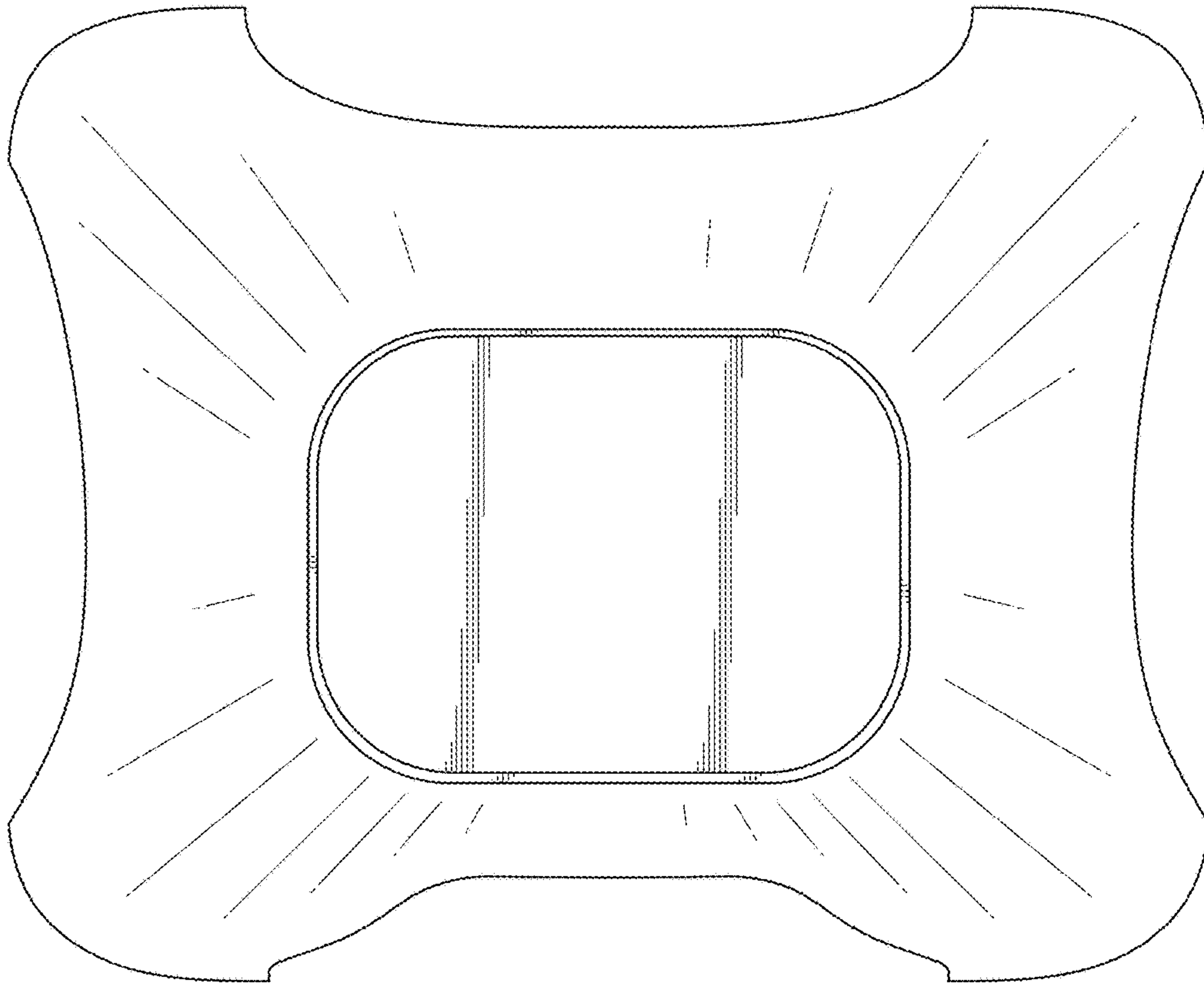


FIG. 2

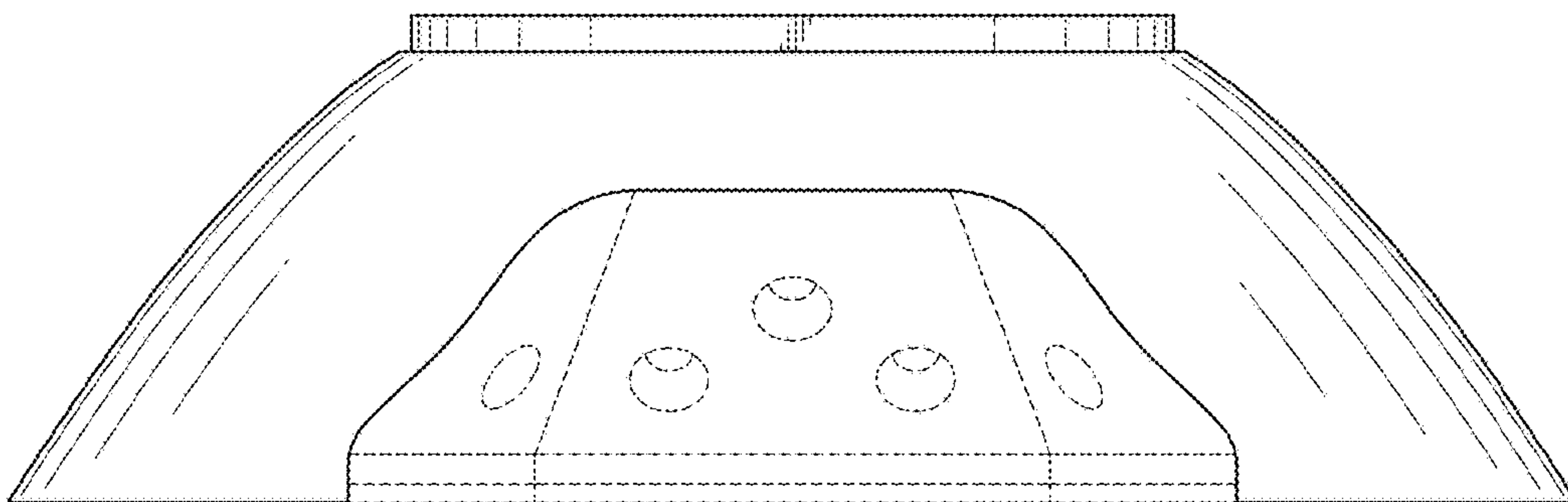


FIG. 3

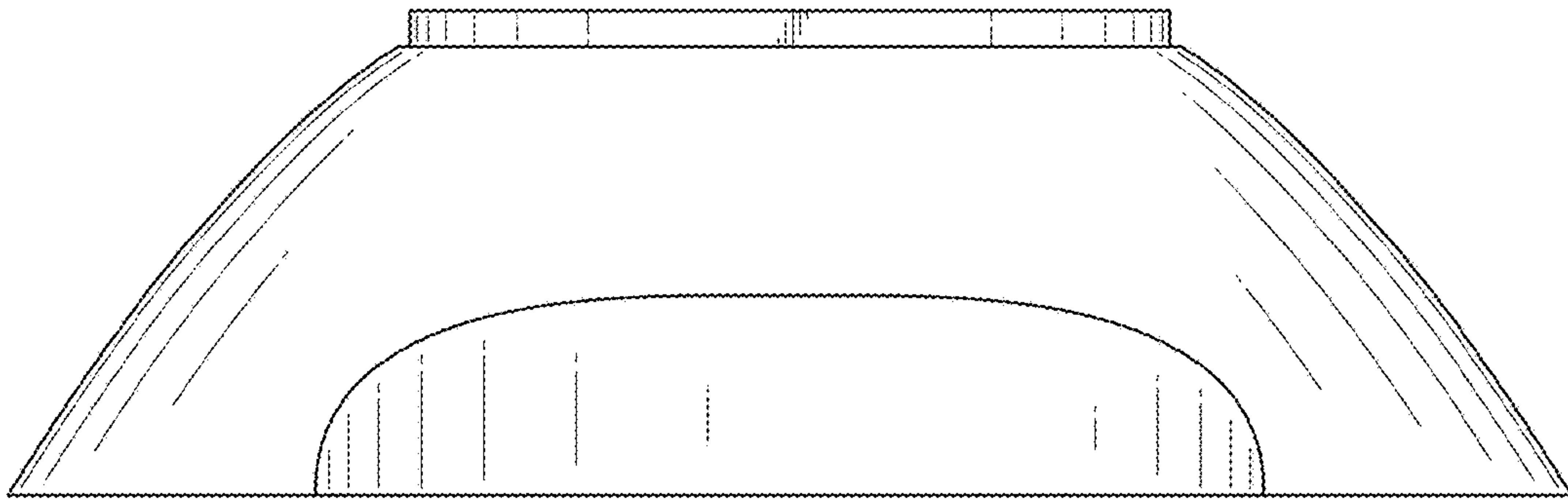


FIG. 4

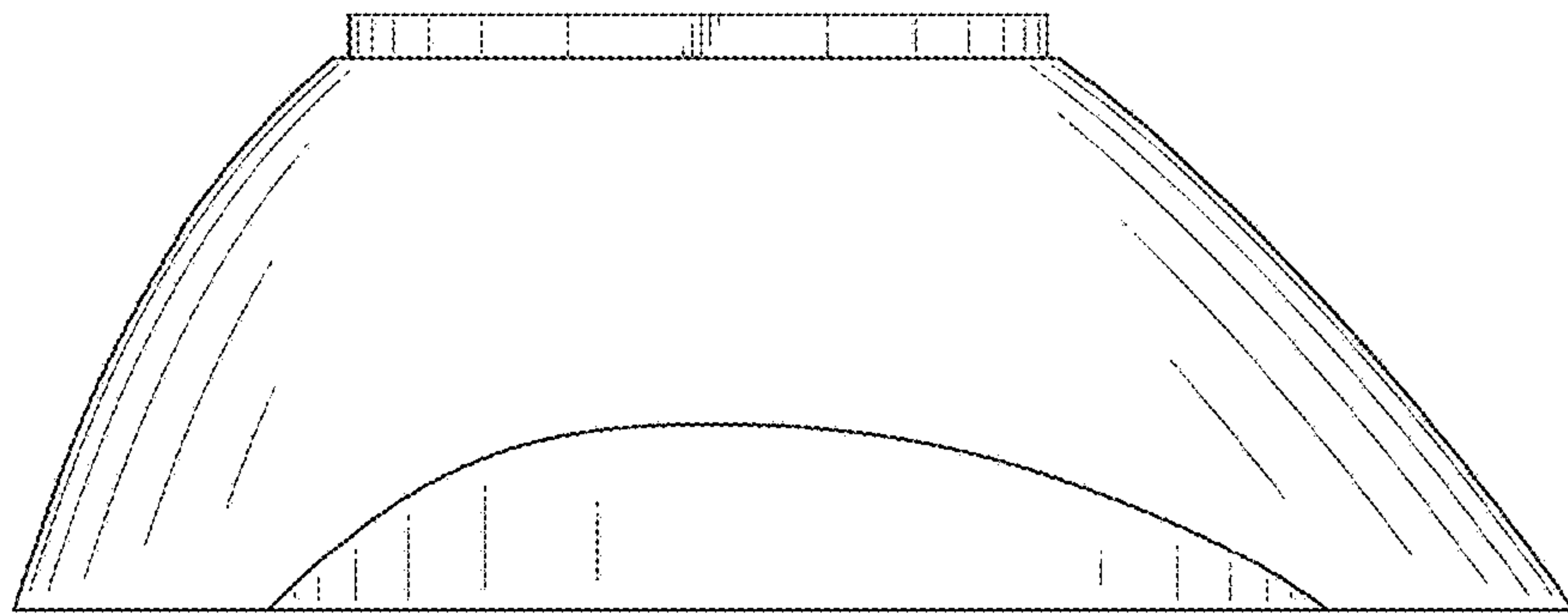


FIG. 5