



US00D785869S

(12) **United States Design Patent** (10) **Patent No.:** **US D785,869 S**
Esnard (45) **Date of Patent:** **** May 2, 2017**

(54) **HAIR GROOMING GUIDE**

(71) Applicant: **Joshua Nickev Esnard**, Sunrise, FL (US)

(72) Inventor: **Joshua Nickev Esnard**, Sunrise, FL (US)

(**) Term: **15 Years**

(21) Appl. No.: **29/577,066**

(22) Filed: **Sep. 9, 2016**

Related U.S. Application Data

(62) Division of application No. 29/523,084, filed on Apr. 6, 2015, now Pat. No. Des. 768,332.

(51) **LOC (10) Cl.** **28-03**

(52) **U.S. Cl.**
USPC **D28/44.2**

(58) **Field of Classification Search**
USPC D28/9-10, 44.2, 23, 25
CPC A45D 24/36; A45D 24/06; A45D 24/08;
A45D 24/10; A45D 27/42
See application file for complete search history.

(56) **References Cited**

U.S. PATENT DOCUMENTS

- 5,427,122 A * 6/1995 Hamilton A45D 24/36
132/214
- 7,559,331 B2 * 7/2009 Ward A45D 24/36
132/214
- D634,893 S * 3/2011 Brown D28/10
- 2009/0223530 A1 * 9/2009 Chapman A45D 27/42
132/200
- 2012/0234341 A1 * 9/2012 Kingery A45D 27/42
132/214

- 2013/0213429 A1 * 8/2013 Allen A45D 27/42
132/214
- 2015/0265026 A1 * 9/2015 Yeheskel A45D 24/36
132/214
- 2016/0015145 A1 * 1/2016 Torres A45D 24/36
132/213
- 2016/0235180 A1 * 8/2016 Brunett A45D 24/02

OTHER PUBLICATIONS

The Cut buddy—hair, beard & mustache—haircut lining/shaping/edging/trim template, www.Amazon.com, downloaded Dec. 21, 2016, 1 page—earliest review Mar. 2016.*

* cited by examiner

Primary Examiner — Jennifer Rivard
(74) *Attorney, Agent, or Firm* — Nancy J. Flint, Esq.;
Nancy J. Flint, Attorney At Law, P.A.

(57) **CLAIM**

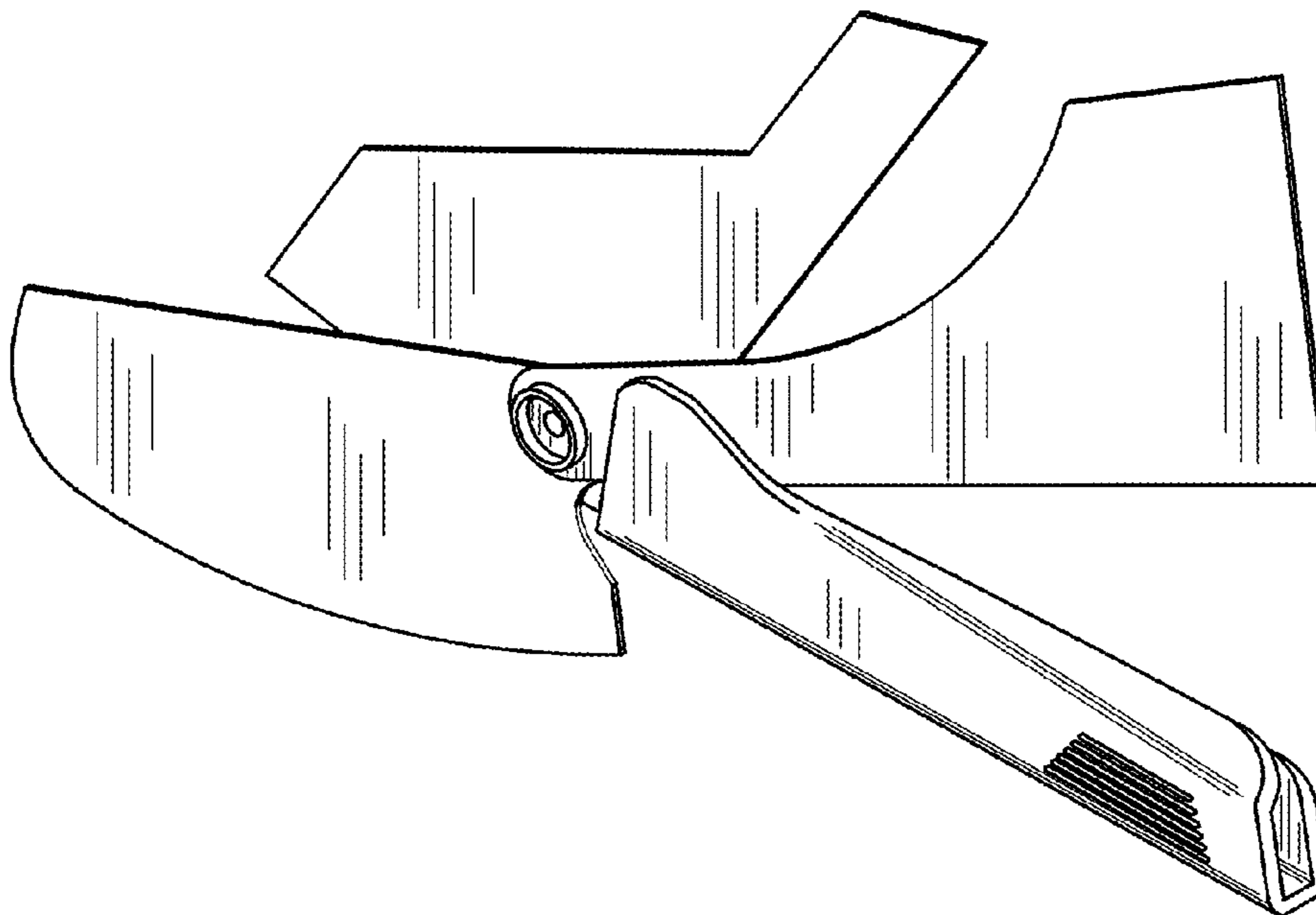
The ornamental design for a hair grooming guide, as shown and described.

DESCRIPTION

FIG. 1 is a front perspective view of a hair grooming guide showing my new design;
FIG. 2 is a top view of the hair grooming guide;
FIG. 3 is a bottom view of the hair grooming guide;
FIG. 4 is a front view of the hair grooming guide;
FIG. 5 is a rear view of the hair grooming guide;
FIG. 6 is a left side view of the hair grooming guide;
FIG. 7 is a right side view of the hair grooming guide; and,
FIG. 8 is a front perspective view of the hair grooming guide as used.

Any broken lines illustrative of environmental structure in the drawings are not part of the design sought to be patented.

1 Claim, 4 Drawing Sheets



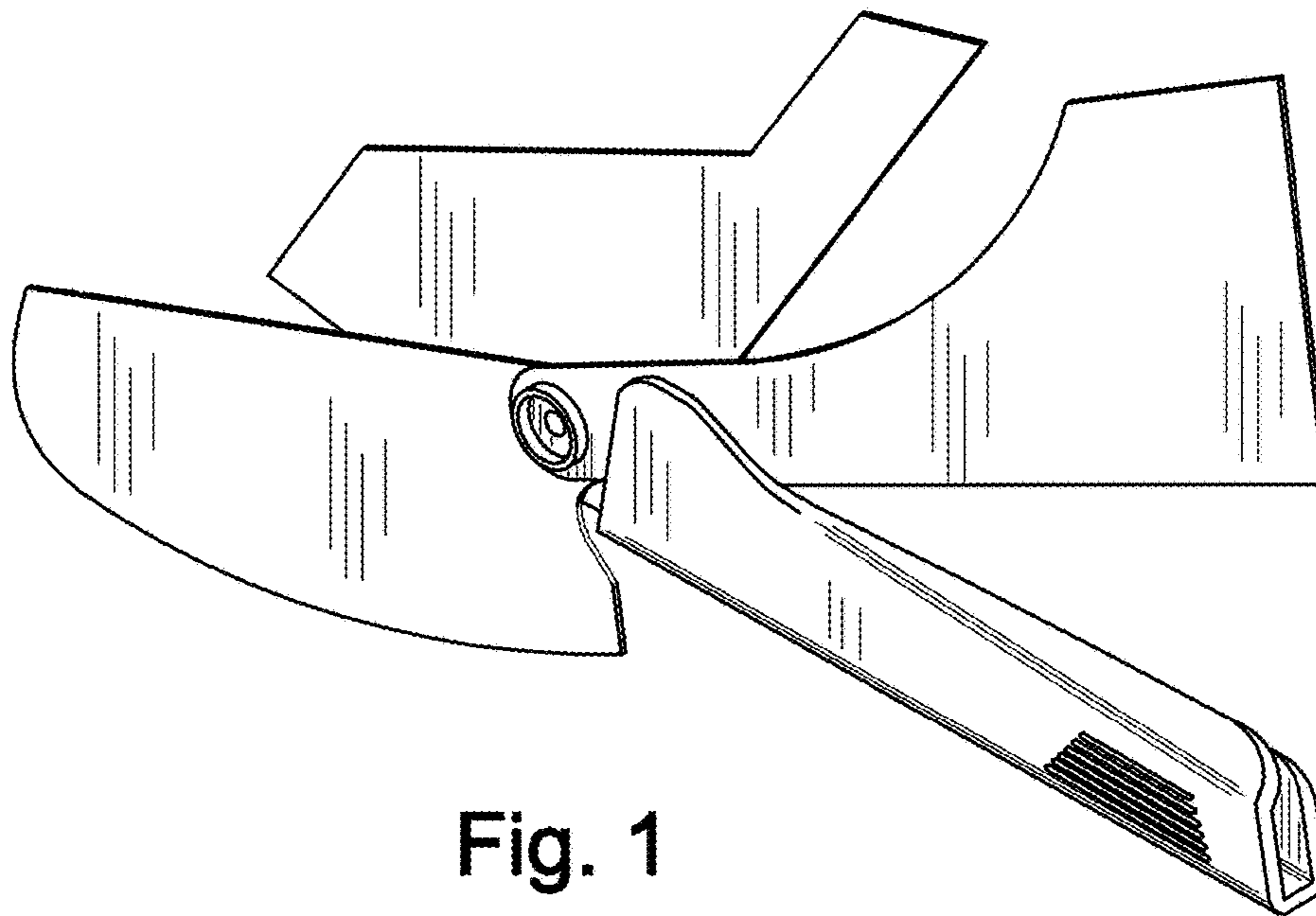


Fig. 1

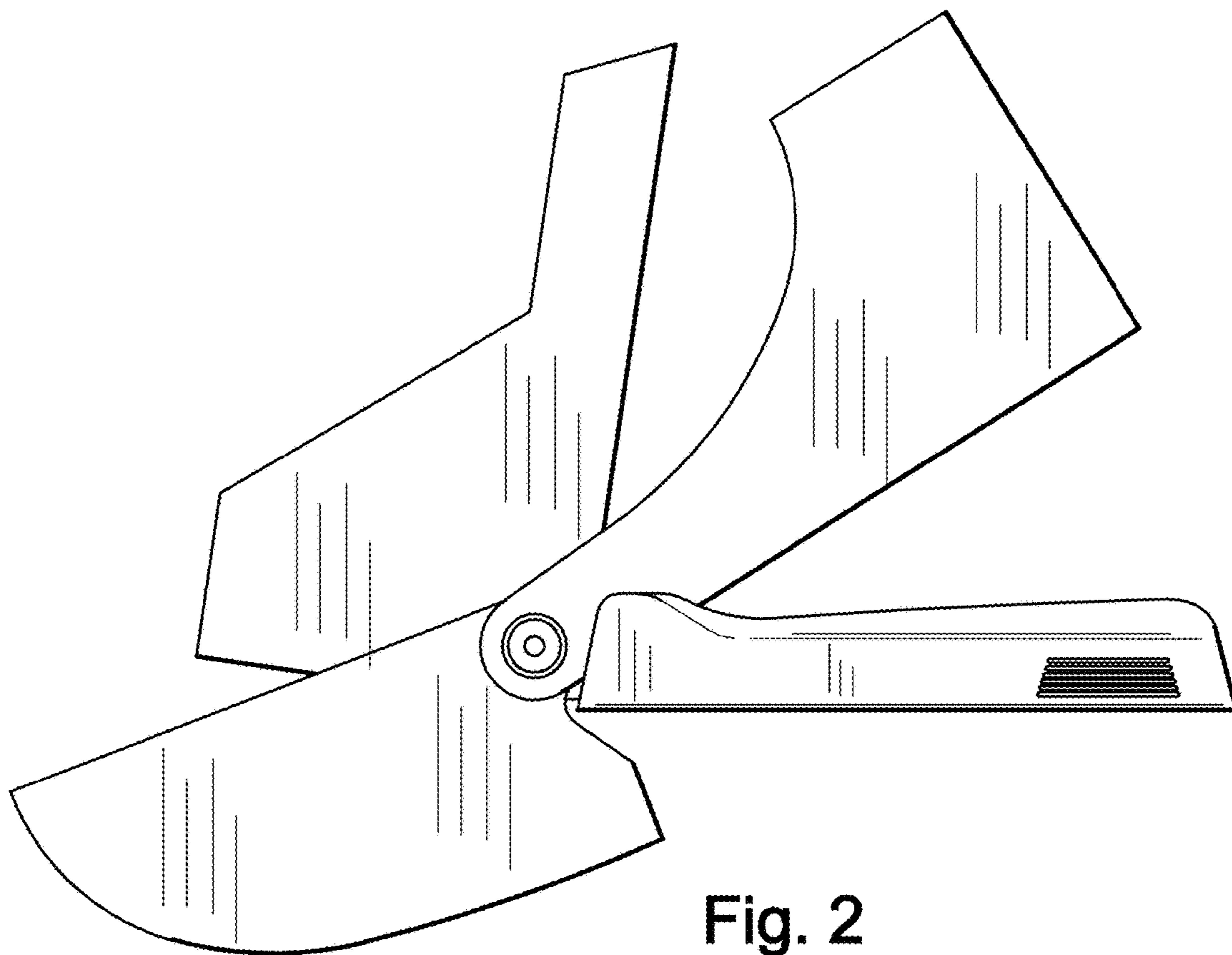


Fig. 2

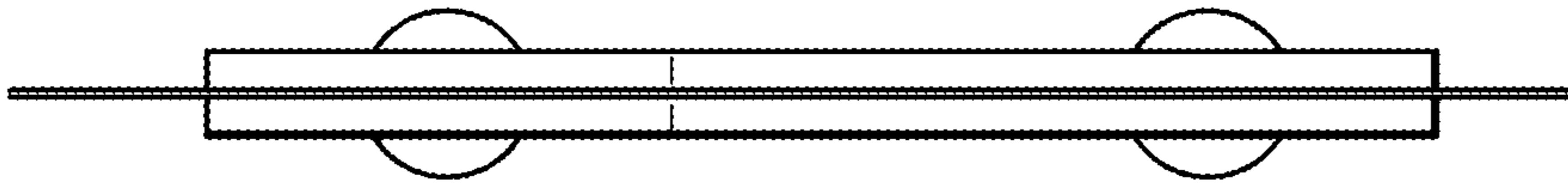


Fig. 3

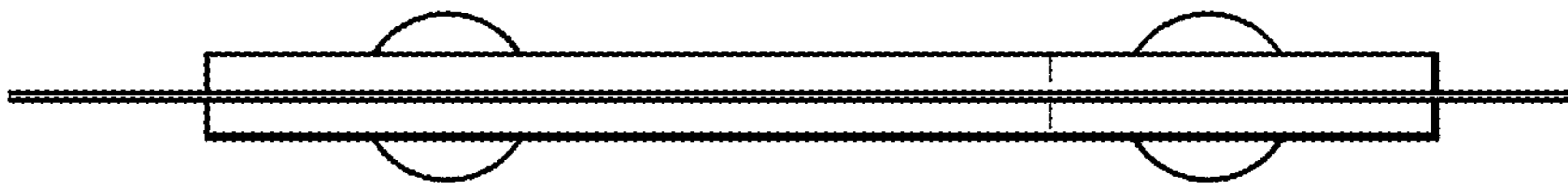


Fig. 4

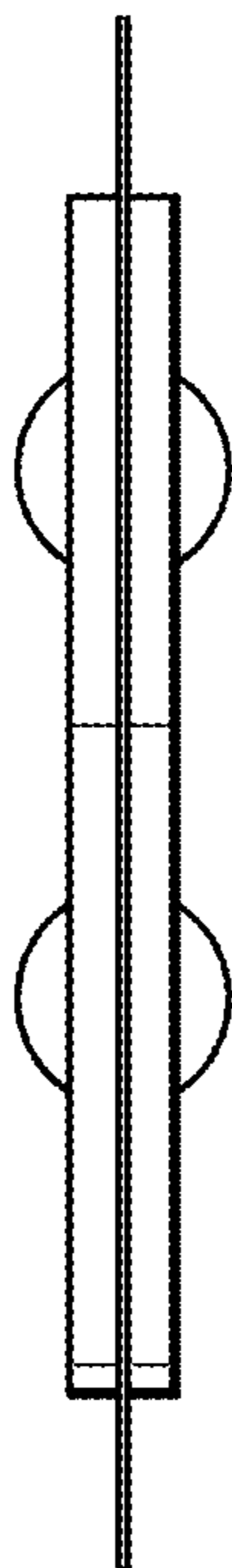


Fig. 5

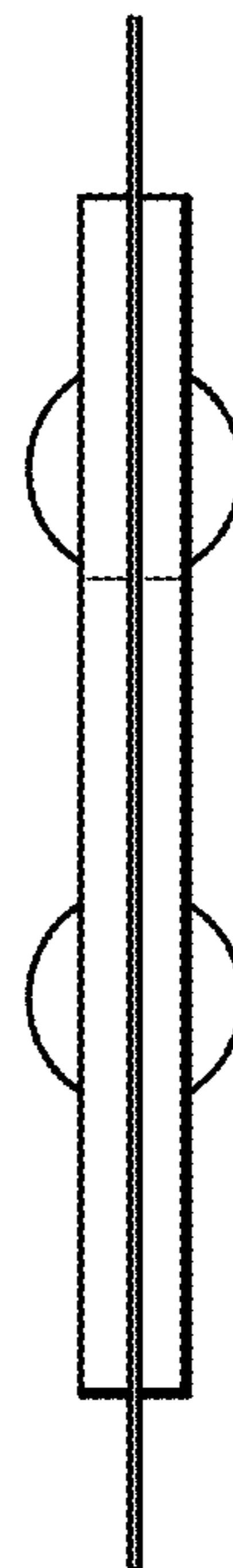


Fig. 6

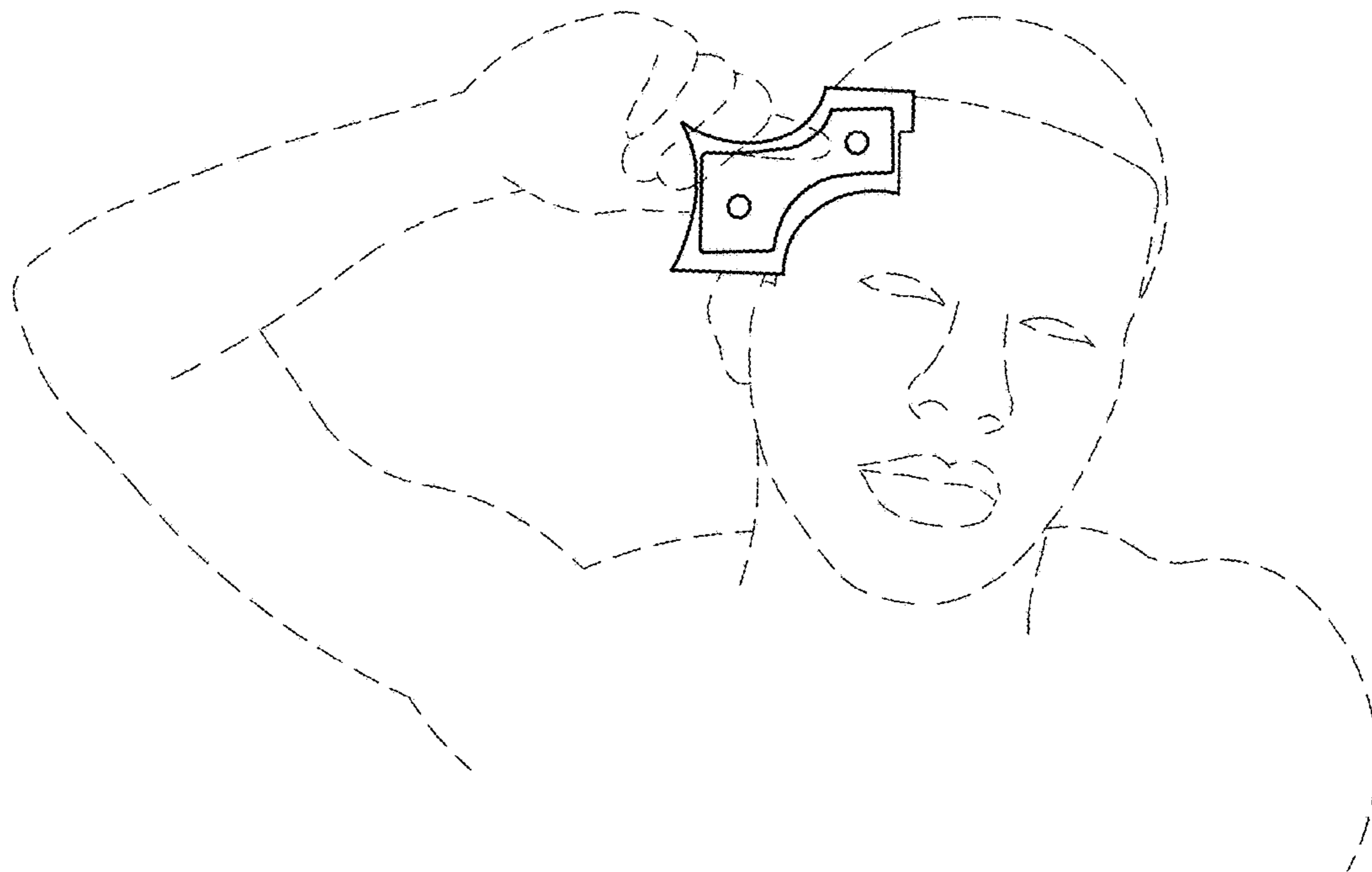


Fig. 7

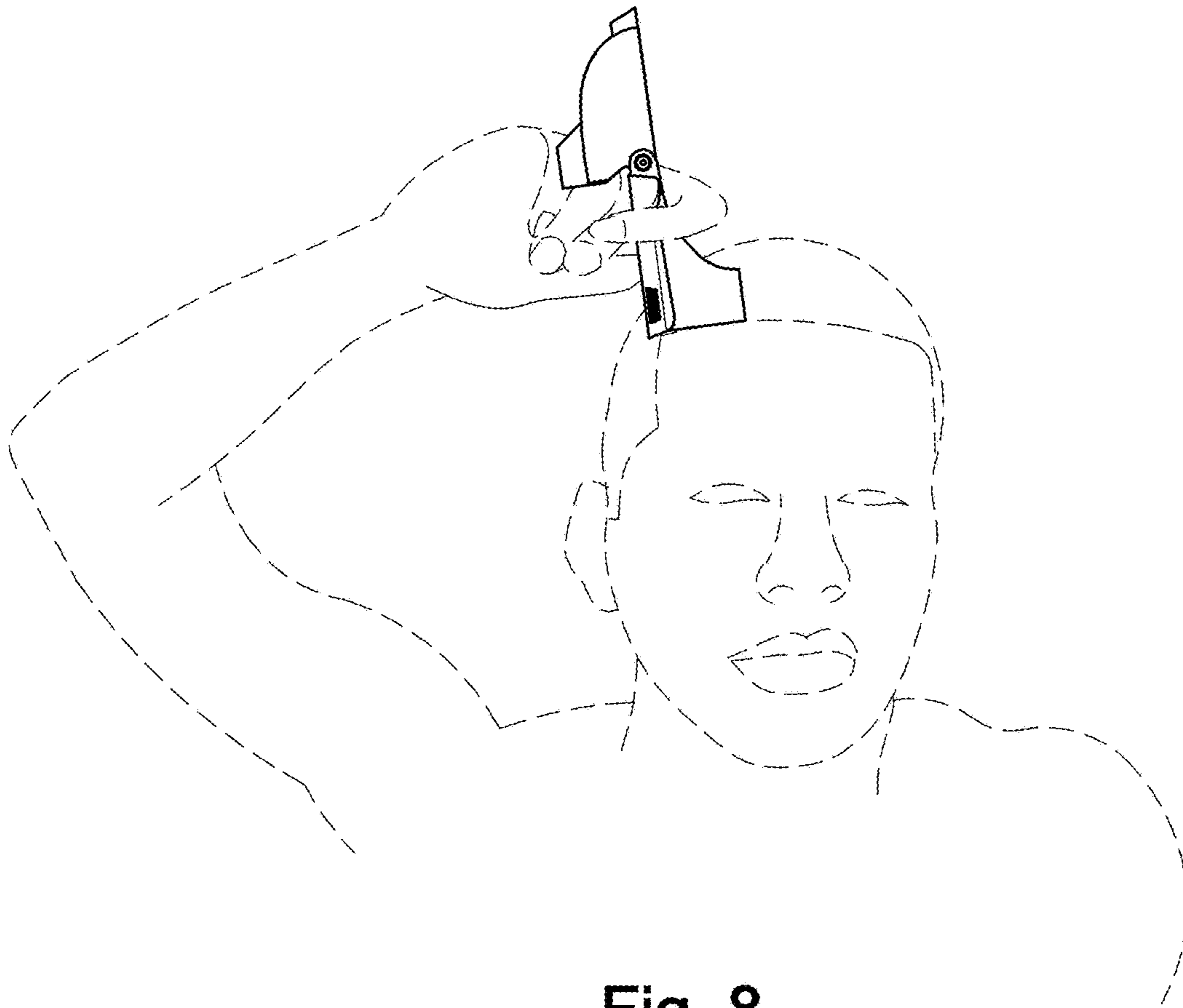


Fig. 8