



US00D785868S

(12) **United States Design Patent**
Lal

(10) **Patent No.:** **US D785,868 S**

(45) **Date of Patent:** **** May 2, 2017**

- (54) **BEARD TRIMMING DEVICE**
- (71) Applicant: **Ivan Lal**, Northridge, CA (US)
- (72) Inventor: **Ivan Lal**, Northridge, CA (US)
- (**) Term: **15 Years**
- (21) Appl. No.: **29/505,339**
- (22) Filed: **Sep. 21, 2015**
- (51) **LOC (10) Cl.** **28-03**
- (52) **U.S. Cl.**
USPC **D28/44.2; D28/23; D28/25**
- (58) **Field of Classification Search**
USPC D28/9-10, 44.2, 23, 25
CPC A45D 24/36; A45D 24/06; A45D 24/08;
A45D 24/10; A45D 27/42
See application file for complete search history.

- 7,559,331 B2 * 7/2009 Ward A45D 24/36
132/214
- D634,893 S * 3/2011 Brown D28/10
- 9,168,661 B1 * 10/2015 Ho B26B 13/10
- D768,332 S * 10/2016 Esnard D28/44.2
- 2013/0213429 A1 * 8/2013 Allen A45D 27/42
132/214
- 2015/0027281 A1 * 1/2015 Andrade A45D 24/36
83/13
- 2015/0270862 A1 * 9/2015 Harris H04B 1/3888
224/576
- 2016/0303746 A9 * 10/2016 Barr B26B 1/044
- 2016/0309876 A1 * 10/2016 Brunett A45D 24/02

* cited by examiner

Primary Examiner — Jennifer Rivard

(57) **CLAIM**

I claim the ornamental design for a beard trimming device, as shown and described.

(56) **References Cited**

U.S. PATENT DOCUMENTS

- 2,786,477 A * 3/1957 Cohen A45D 24/36
132/214
- 3,894,548 A * 7/1975 Suvino B26B 21/42
132/213.1
- 4,520,565 A * 6/1985 Maggiore A45D 24/36
132/214
- D321,065 S * 10/1991 Walker D28/22
- 5,427,122 A * 6/1995 Hamilton A45D 24/36
132/214
- 5,494,057 A * 2/1996 Gianfrancesco A45D 24/36
132/200

DESCRIPTION

FIG. 1 is a right side view of the beard trimming device; FIG. 2 is a top plan view of the beard trimming device; FIG. 3 is an enlarged front elevation view of the beard trimming device; and, FIG. 4 is left, rear perspective view of the beard trimming device in an open position.

1 Claim, 4 Drawing Sheets

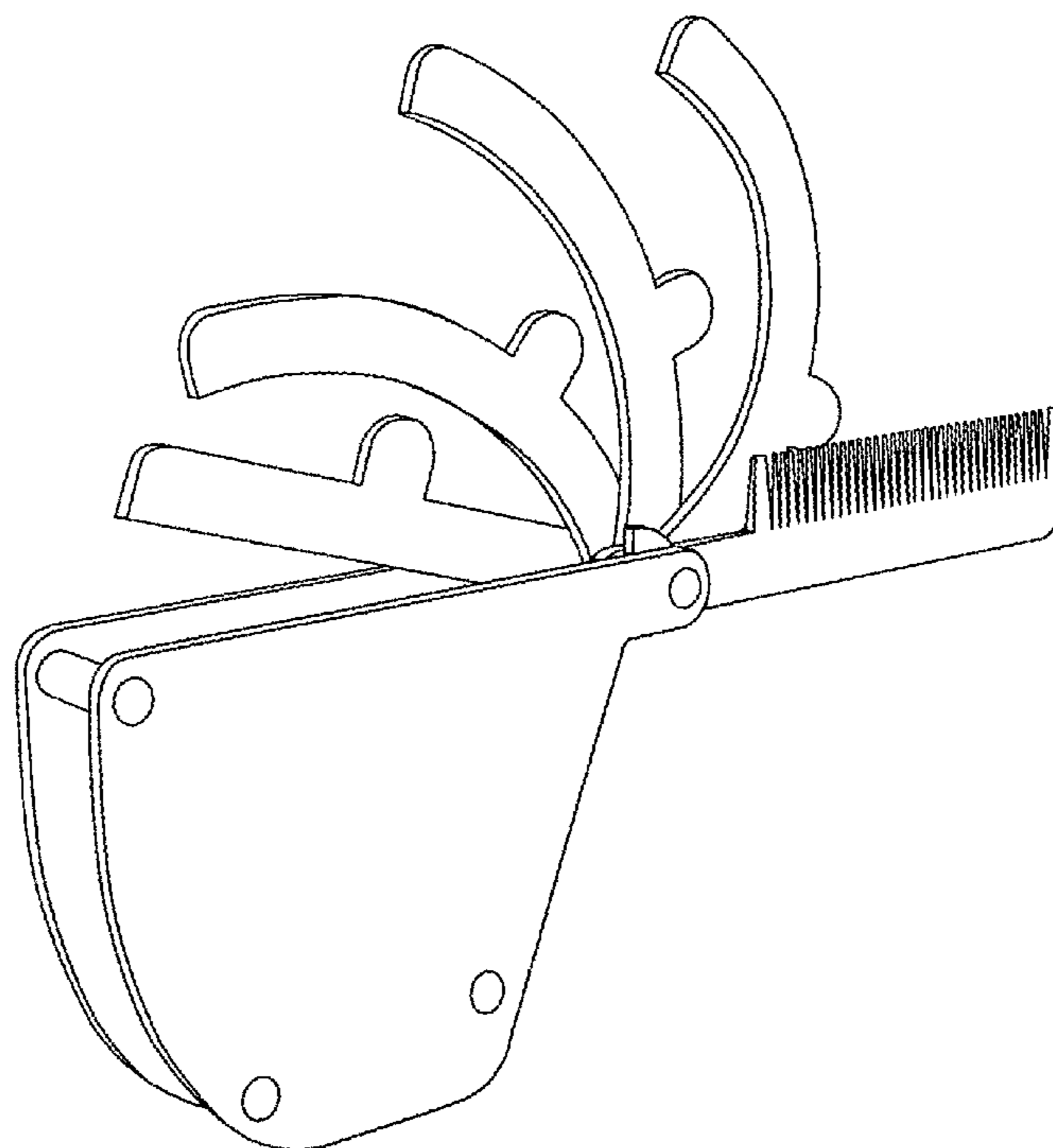


Fig. 1

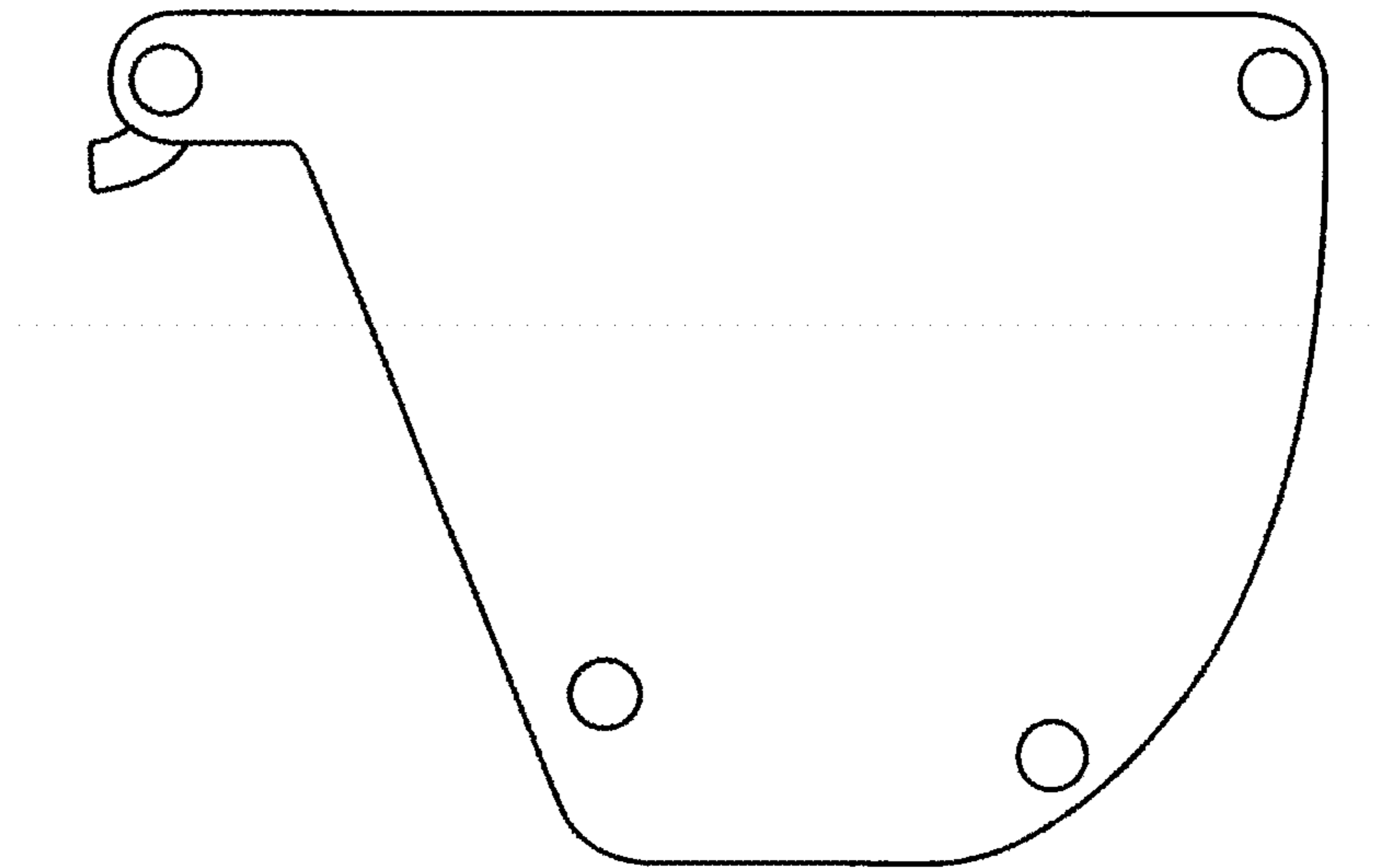


Fig. 2

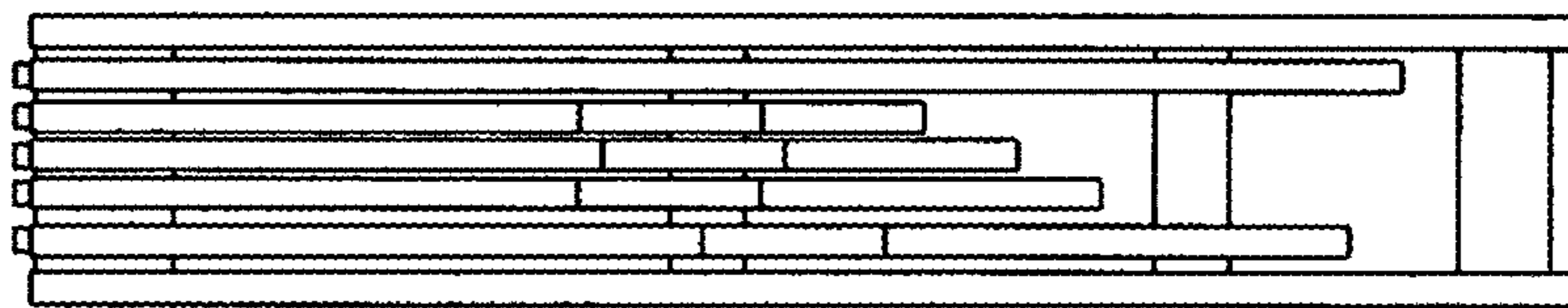


Fig. 3

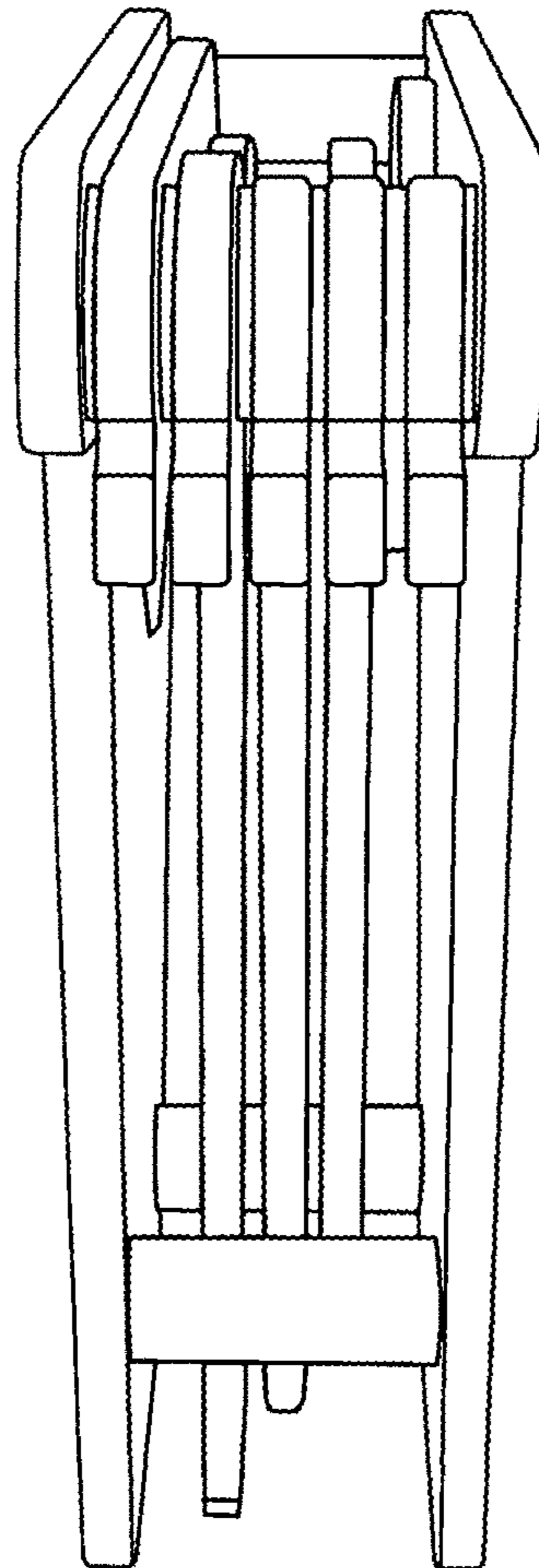


Fig. 4

