



US00D785866S

(12) **United States Design Patent** (10) **Patent No.:** **US D785,866 S**  
**French-Jackson** (45) **Date of Patent:** **\*\* May 2, 2017**

(54) **HAIR IRON**

(71) Applicant: **Chaska French-Jackson**, Tulsa, OK  
(US)

(72) Inventor: **Chaska French-Jackson**, Tulsa, OK  
(US)

(\*\*) Term: **15 Years**

(21) Appl. No.: **29/561,950**

(22) Filed: **Apr. 21, 2016**

(51) **LOC (10) Cl.** ..... **28-03**

(52) **U.S. Cl.**  
USPC ..... **D28/35**

(58) **Field of Classification Search**  
USPC ..... D28/10, 35, 37, 18-19  
CPC ... A45D 1/00-1/28; A45D 2/00-2/002; A45D  
2/36-2/367; A45D 4/00-4/18; A45D 1/20;  
A45D 20/00; A45D 20/52; A45D 20/525;  
A45D 20/12

See application file for complete search history.

(56) **References Cited**

**U.S. PATENT DOCUMENTS**

6,138,376	A	10/2000	Garfinkel	
D465,611	S *	11/2002	Tobin	D28/18
D491,310	S *	6/2004	Glucksman	D28/35
6,895,975	B2	5/2005	Hafemann	
8,096,307	B2	1/2012	Hafemann	
8,124,914	B2	2/2012	Yu	
8,607,470	B2	12/2013	Richmond et al.	
9,012,813	B2	4/2015	Mourad	
D754,396	S *	4/2016	Keong	D28/35
D759,306	S *	6/2016	Delassus	D28/35
D773,119	S *	11/2016	Yue	D28/35

2005/0087205	A1	4/2005	Rizzuto, Jr.	
2006/0108344	A1	5/2006	Kim et al.	
2008/0041409	A1	2/2008	Leung	
2010/0089413	A1	4/2010	Wright et al.	
2011/0232672	A1 *	9/2011	Ammann	A45D 20/00 132/223
2013/0112221	A1	5/2013	Kock	
2015/0114425	A1 *	4/2015	Park	A45D 1/04 132/229
2015/0196105	A1 *	7/2015	Leung	A45D 1/04 132/228
2015/0201727	A1 *	7/2015	De Benedictis	A45D 2/02 132/211
2015/0216281	A1 *	8/2015	De Benedictis	A45D 2/02 132/230

\* cited by examiner

*Primary Examiner* — Jennifer Rivard

(74) *Attorney, Agent, or Firm* — Dunlap Coddling, P.C.

(57) **CLAIM**

The ornamental design for a hair iron, as shown and described.

**DESCRIPTION**

FIG. 1 is a perspective view of a hair iron showing my new design.

FIG. 2 is a front elevational view thereof.

FIG. 3 is a rear elevational view thereof.

FIG. 4 is a side elevational view thereof.

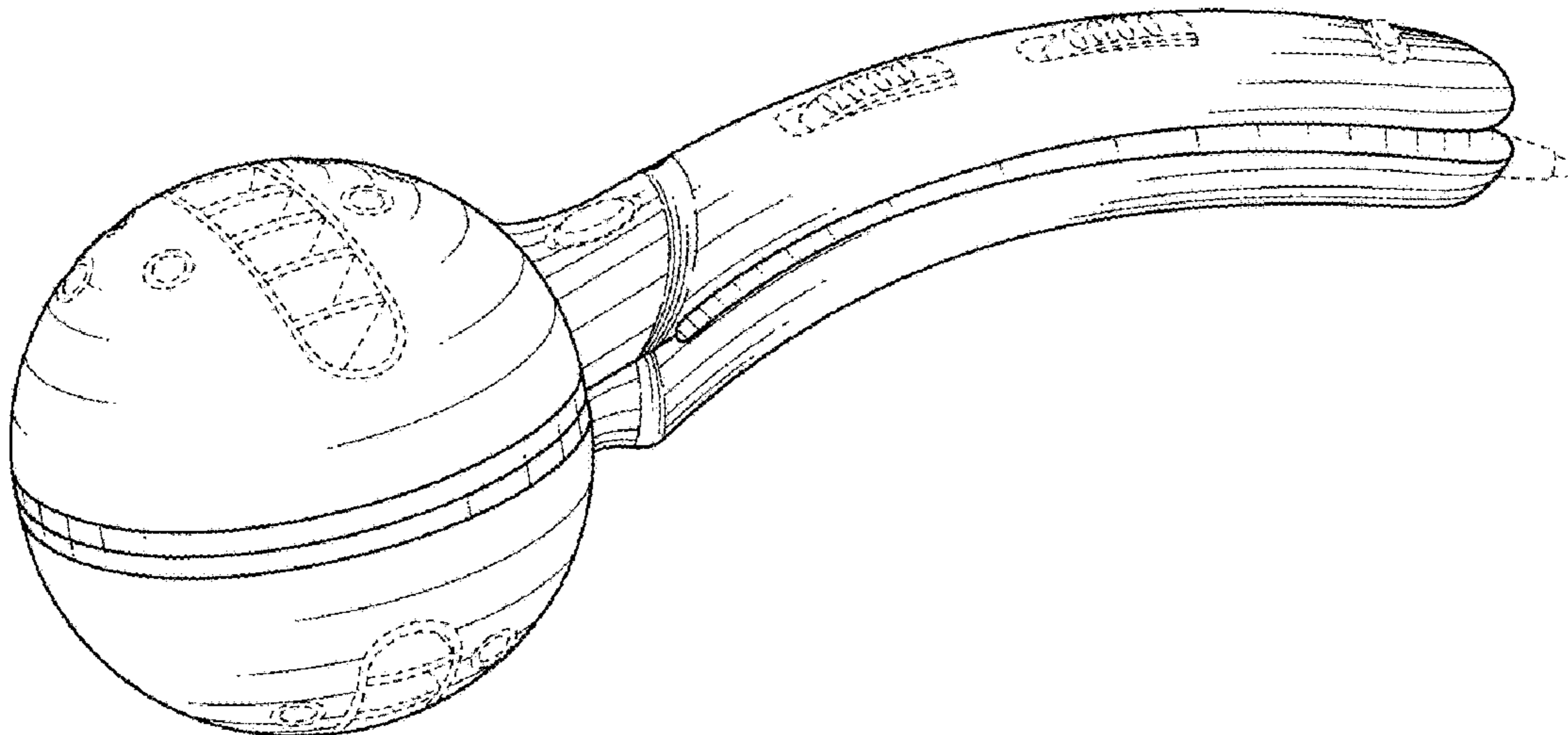
FIG. 5 is a side elevational view of a side opposite that shown in FIG. 4.

FIG. 6 is a top plan view thereof; and,

FIG. 7 is a bottom plan view thereof.

The broken lines illustrate portions of the hair iron and form no part of the claimed design.

**1 Claim, 4 Drawing Sheets**



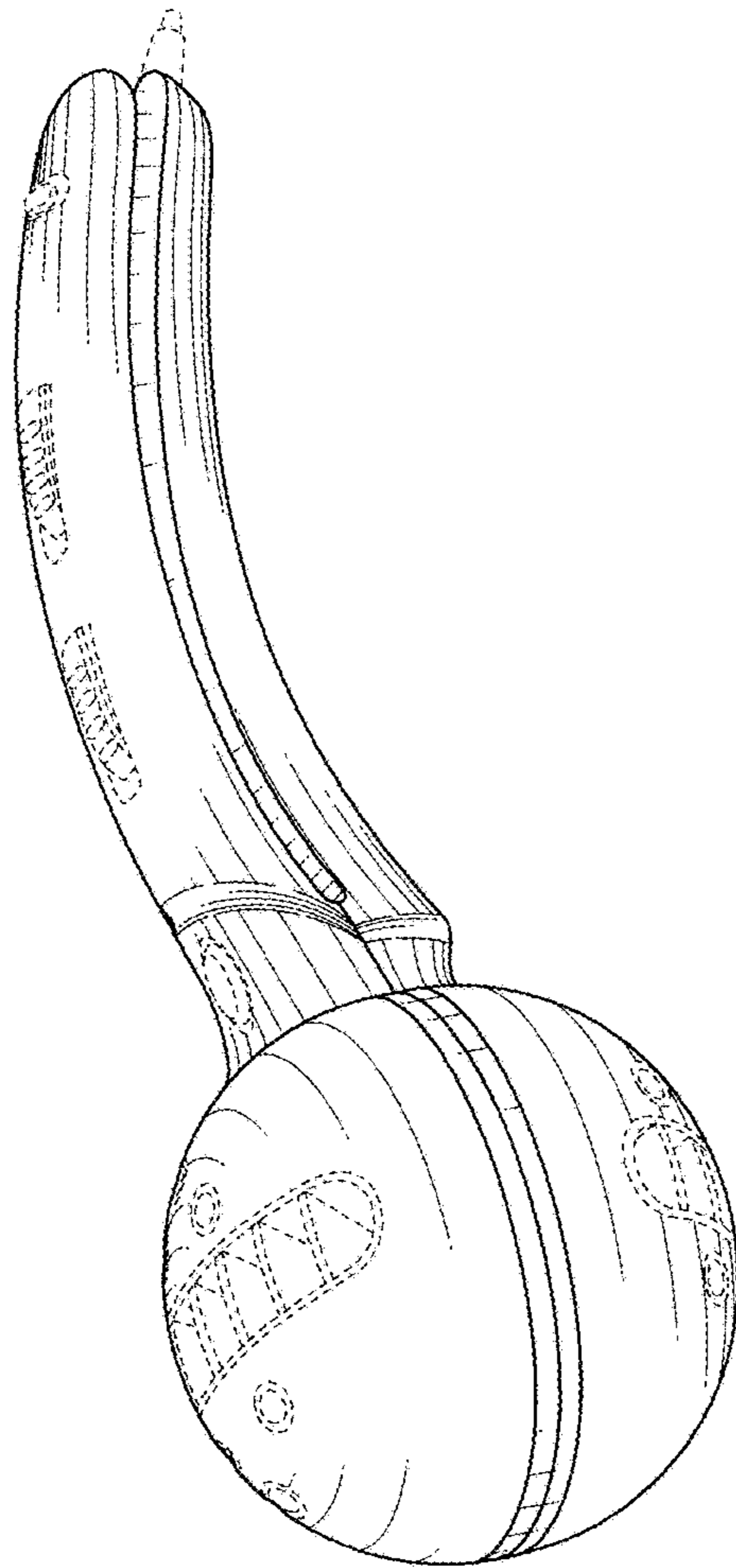


FIG. 1

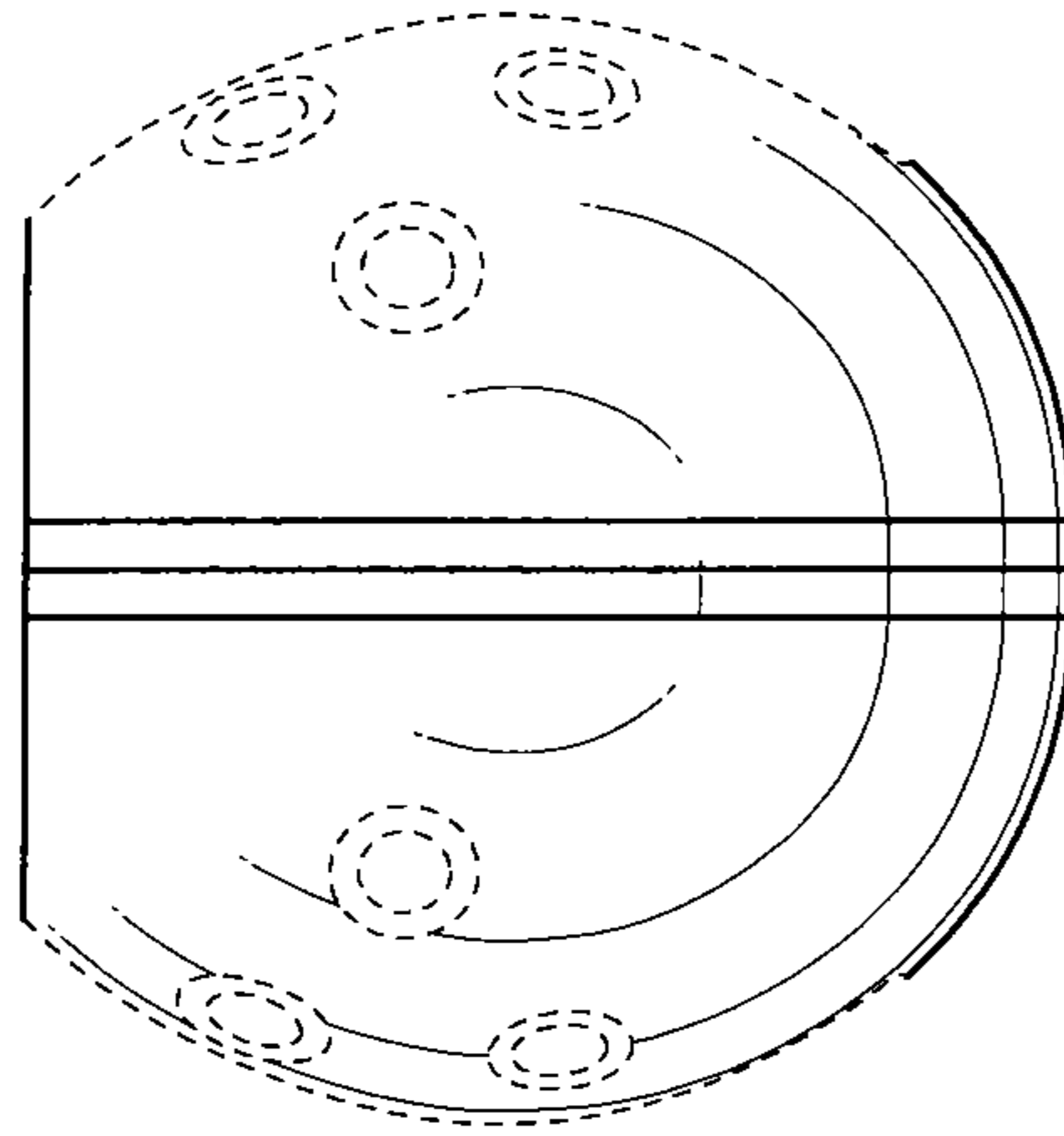


FIG. 2

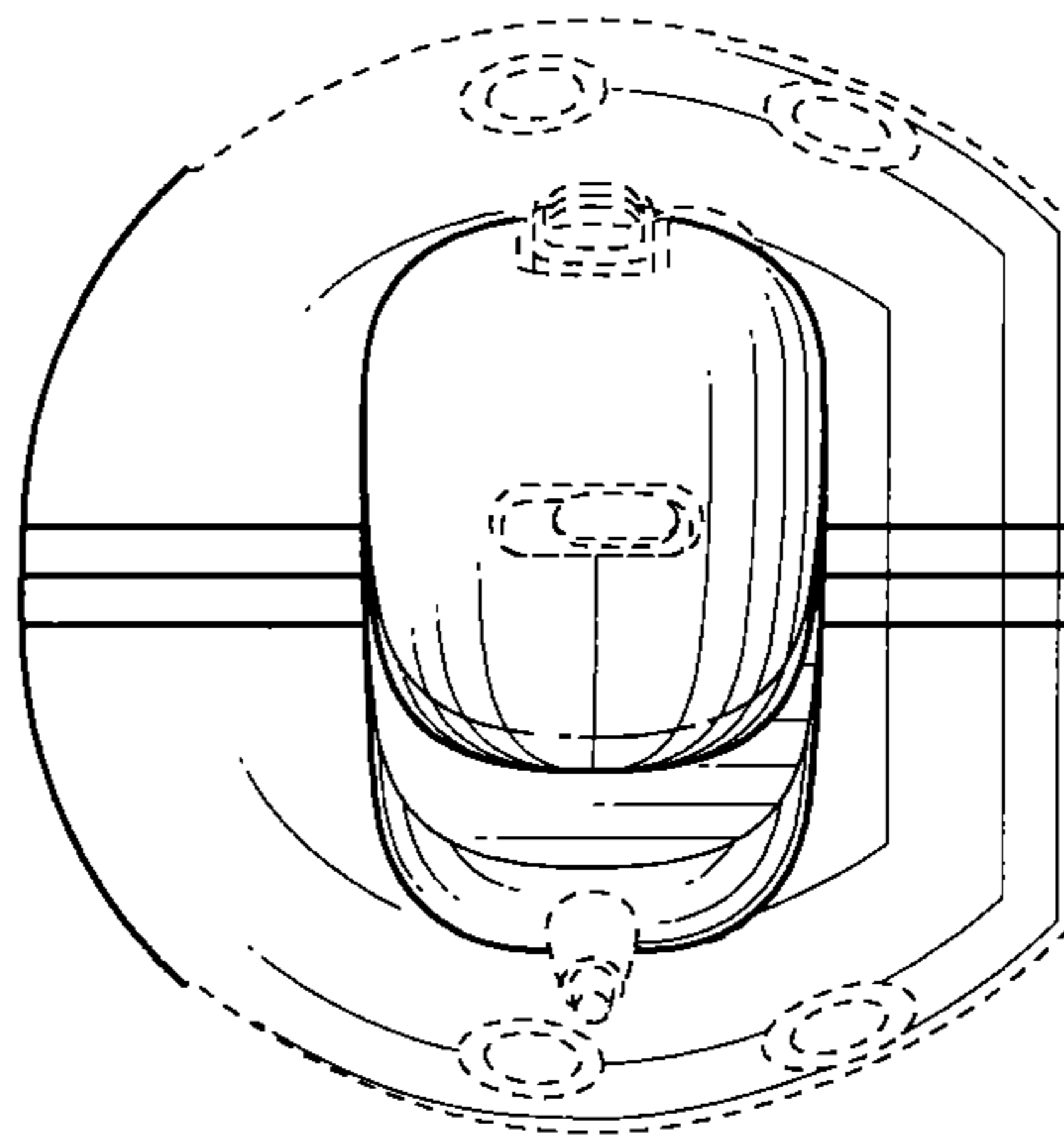


FIG. 3

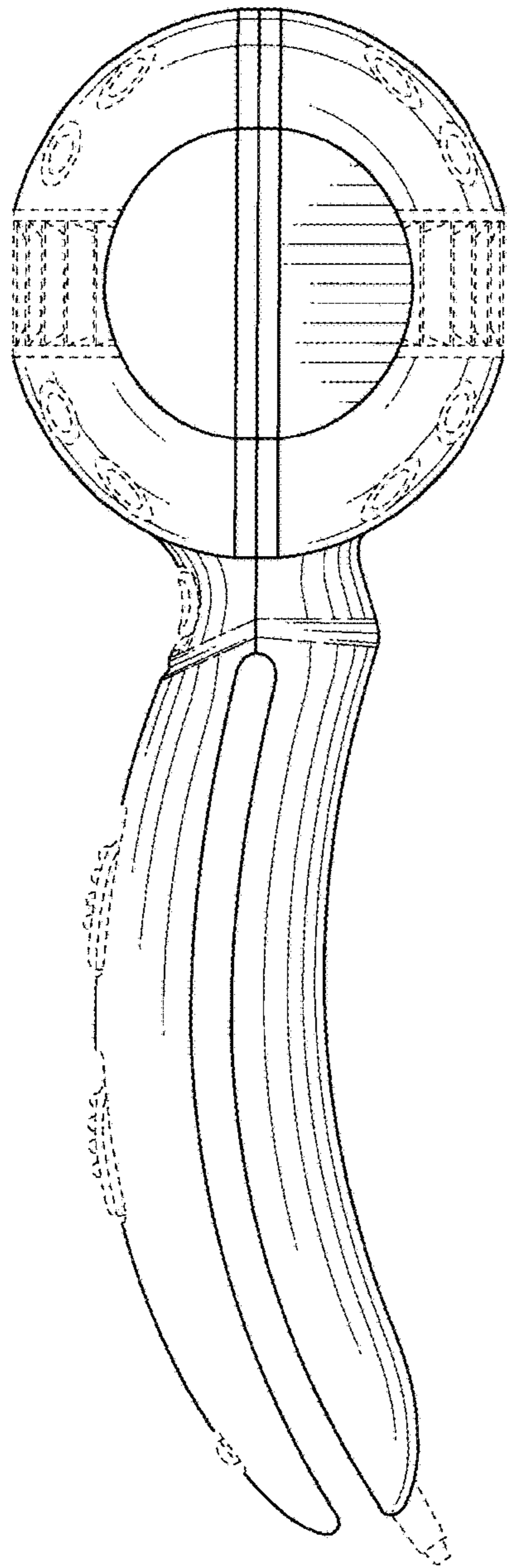


FIG. 4

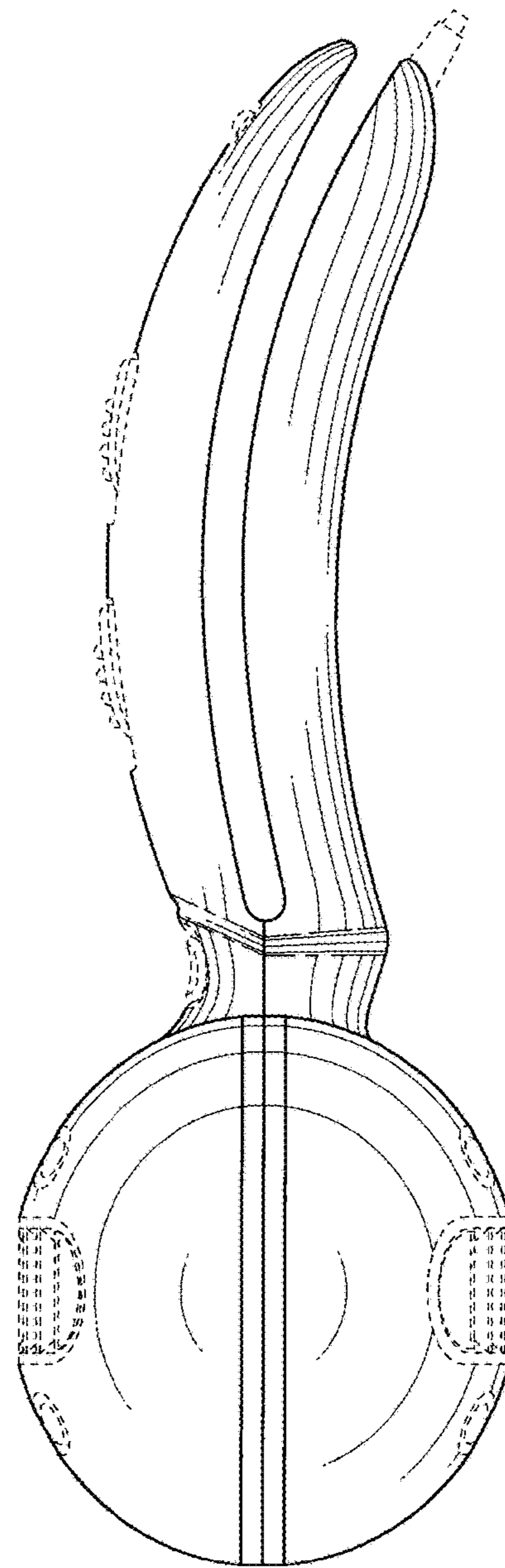


FIG. 5



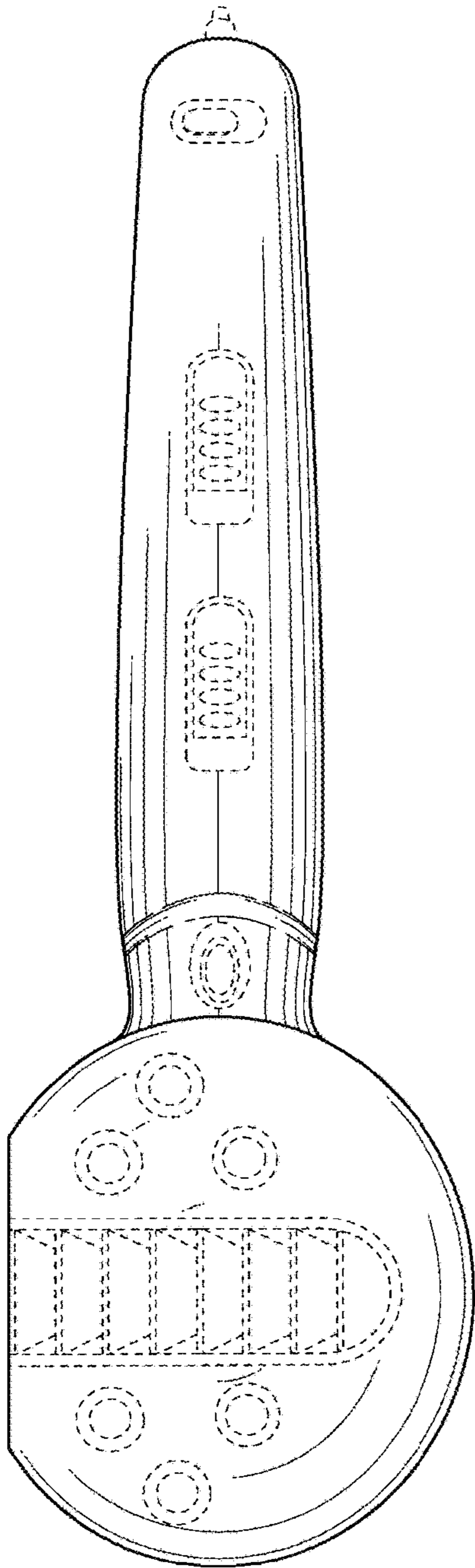


FIG. 6

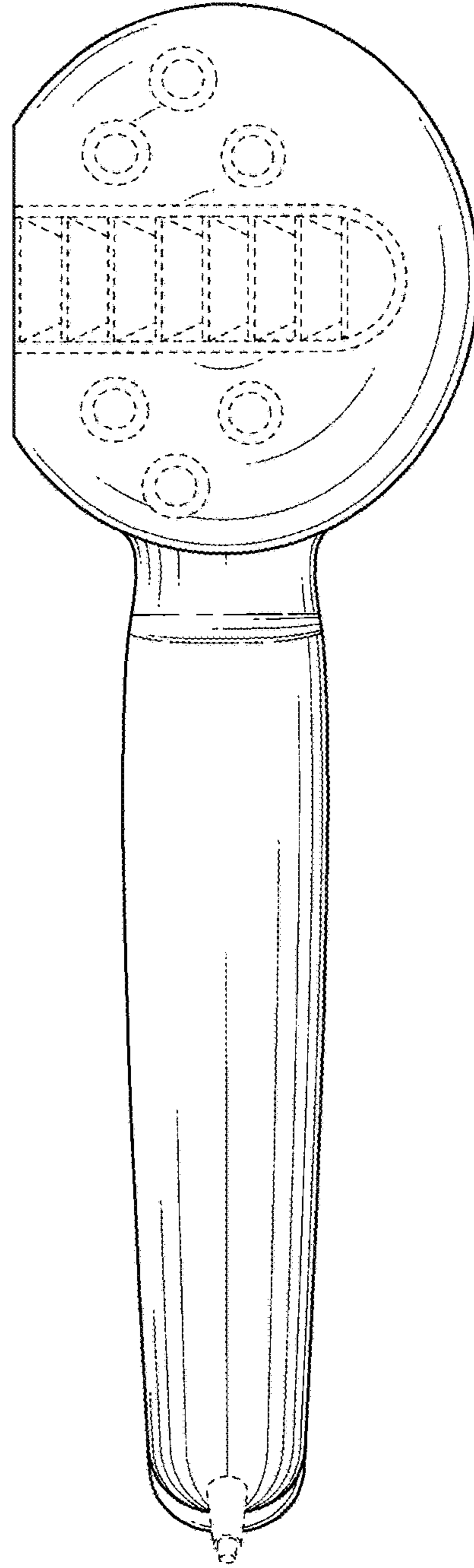


FIG. 7