



US00D785865S

(12) **United States Design Patent** (10) **Patent No.:** **US D785,865 S**  
**Rigobert et al.** (45) **Date of Patent:** **\*\* May 2, 2017**

(54) **CAPSULE CONTAINING WASHING PRODUCTS**

(71) Applicant: **Reckitt Benckiser (Brands) Limited**, Slough (GB)

(72) Inventors: **Caroline Rigobert**, Heidelberg (DE); **Jordi Salvador**, Granollers (ES); **Taco Dietvorst**, Eindhoven (NL)

(73) Assignee: **RECKITT BENCKISER (BRANDS) LIMITED**, Slough (GB)

(\*\*) Term: **15 Years**

(21) Appl. No.: **29/554,936**

(22) Filed: **Feb. 17, 2016**

(30) **Foreign Application Priority Data**

Aug. 17, 2015 (EM) ..... 002756205-0001  
Aug. 17, 2015 (EM) ..... 002756205-0002

(51) **LOC (10) Cl.** ..... **28-03**

(52) **U.S. Cl.**  
USPC ..... **D28/8.1; D9/425**

(58) **Field of Classification Search**  
USPC ..... D9/424-426, 428, 430-432, 702, 707, D9/710, 737, 759  
CPC ..... C11D 17/04; C11D 17/041-17/042; C11D 17/043-17/047; C11D 17/0047-17/0091; C11D 17/0095; C11D 17/00-17/0021  
See application file for complete search history.

(56) **References Cited**

**U.S. PATENT DOCUMENTS**

D565,244 S \* 3/2008 Schwartz ..... D28/8.1  
D599,056 S \* 8/2009 Schwartz ..... D28/8.1  
D608,049 S \* 1/2010 Schwartz ..... D28/8.1  
D621,718 S 8/2010 Mehdizadeh  
D648,064 S \* 11/2011 Pflug ..... D28/8.1

D649,710 S 11/2011 Mehdizadeh  
D656,668 S \* 3/2012 Stone ..... D28/8.1  
D659,902 S 5/2012 Mehdizadeh  
D663,894 S \* 7/2012 Davanzo ..... D28/8.1  
D679,863 S \* 4/2013 Sunder ..... D28/8.1  
D689,241 S 9/2013 Gerhards  
D691,326 S 10/2013 Gerhards

(Continued)

**FOREIGN PATENT DOCUMENTS**

DE 49907674-0005 9/2014  
DE 49907674-0009 9/2014

(Continued)

*Primary Examiner* — Jennifer Rivard

(74) *Attorney, Agent, or Firm* — Troutman Sanders LLP; Ryan Schneider; Chris Davis

(57) **CLAIM**

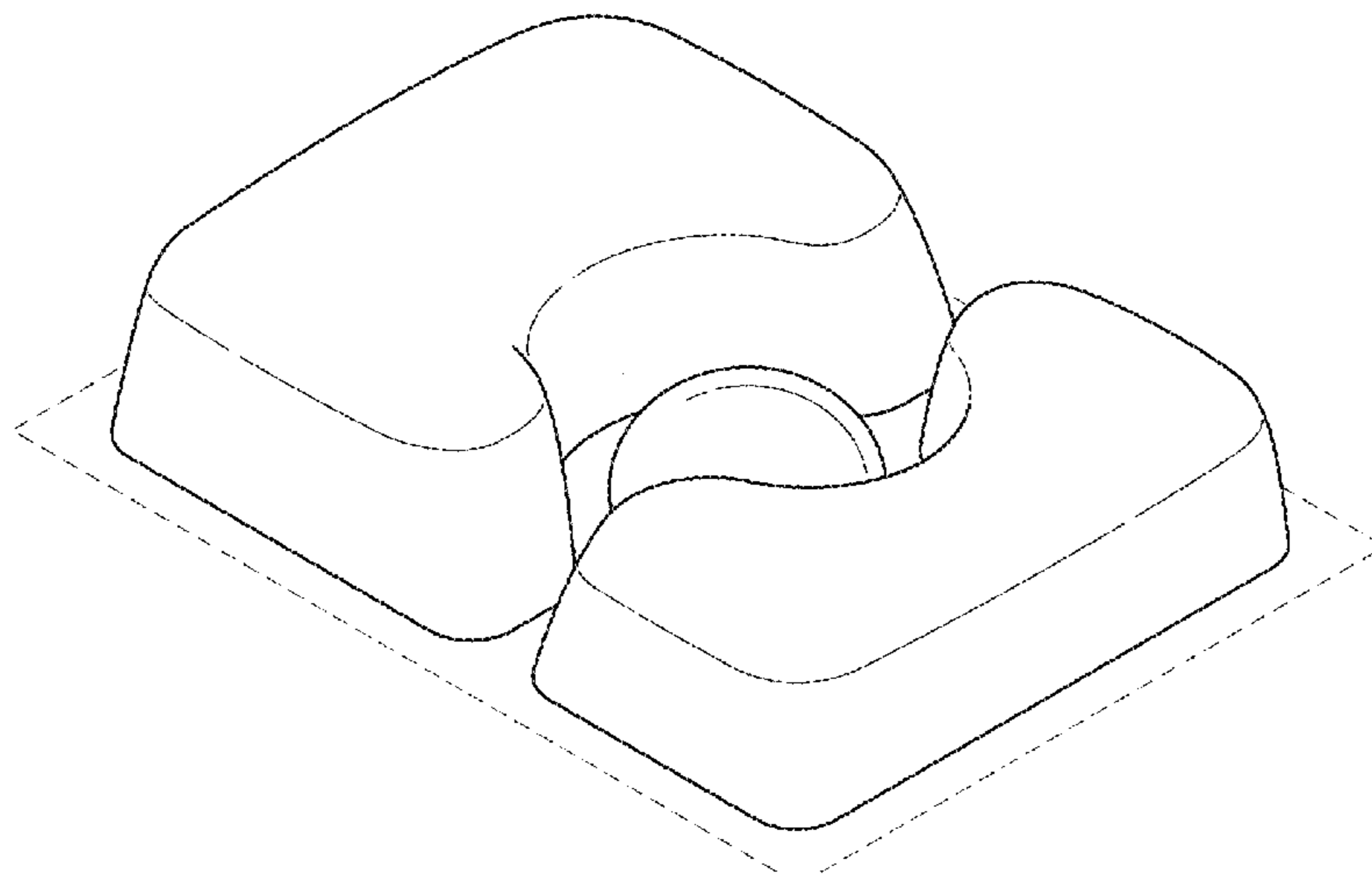
The ornamental design for a capsule containing washing products, as shown and described.

**DESCRIPTION**

FIG. 1 is a perspective view of a capsule containing washing products of the present invention;  
FIG. 2 is a side view of the capsule containing washing products of FIG. 1;  
FIG. 3 is the other side view of the capsule containing washing products of FIG. 1;  
FIG. 4 is a back view of the capsule containing washing products of FIG. 1;  
FIG. 5 is a front view of the capsule containing washing products of FIG. 1;  
FIG. 6 is a top view of the capsule containing washing products of FIG. 1; and,  
FIG. 7 is a bottom view of the capsule containing washing products of FIG. 1.

The broken lines in FIGS. 1-7 illustrate portions of the capsule containing washing products that form no part of the claimed design.

**1 Claim, 3 Drawing Sheets**



(56)

References Cited

U.S. PATENT DOCUMENTS

D695,451 S 12/2013 Gerhards  
 D714,161 S \* 9/2014 Crawford ..... D9/707  
 D728,157 S \* 4/2015 Sarb ..... D28/8.1  
 D732,735 S 6/2015 Nixon et al.  
 D733,962 S \* 7/2015 Sunder ..... D28/8.1  
 D735,407 S \* 7/2015 Gerhards ..... D28/8.1  
 D735,408 S \* 7/2015 Meier ..... D28/8.1  
 D735,409 S 7/2015 Sunder  
 D744,162 S \* 11/2015 Sunder ..... D28/8.1  
 D748,330 S \* 1/2016 Gerhards ..... D28/8.1  
 2005/0263428 A1\* 12/2005 Duffield ..... C11D 17/042  
 206/524.7  
 2010/0105596 A1\* 4/2010 Wiedemann ..... C11D 17/041  
 510/220

FOREIGN PATENT DOCUMENTS

EM 000019070-0001 12/2005  
 EM 000019070-0002 12/2005  
 EM 000019070-0003 12/2005  
 EM 000019070-0004 12/2005  
 EM 000019070-0005 12/2005  
 EM 000019070-0006 12/2005  
 EM 000019070-0007 12/2005  
 EM 000019070-0008 12/2005  
 EM 000050380-0001 12/2005  
 EM 000050380-0004 12/2005  
 EM 000675855-0001 4/2007  
 EM 000675855-0002 4/2007  
 EM 002063214-0001 6/2012  
 EM 002063412-0004 6/2012  
 EM 002118075-0001 10/2012  
 EM 002118075-0002 10/2012  
 EM 002118075-0003 10/2012  
 EM 001859505-0001 11/2012  
 EM 001859505-0002 11/2012  
 EM 001859505-0003 11/2012  
 EM 001859505-0004 11/2012  
 EM 001859505-0005 11/2012  
 EM 001859505-0006 11/2012  
 EM 001859505-0007 11/2012  
 EM 001859505-0008 11/2012  
 EM 001859505-0009 11/2012  
 EM 001859505-0010 11/2012  
 EM 001378921-0001 8/2013  
 EM 001378921-0002 8/2013  
 EM 001378921-0003 8/2013  
 EM 001382477-0001 9/2013  
 EM 001382477-0002 9/2013  
 EM 001913831-0001 10/2013  
 EM 001913831-0002 10/2013  
 EM 001913831-0003 10/2013  
 EM 001913831-0004 10/2013  
 EM 001913831-0005 10/2013  
 EM 001913831-0006 10/2013  
 EM 001913831-0007 10/2013  
 EM 001913831-0008 10/2013  
 EM 001386155-0001 11/2013  
 EM 001913419-0001 11/2013  
 EM 001913419-0002 11/2013  
 EM 001913419-0003 11/2013  
 EM 001913419-0004 11/2013  
 EM 002390658-0001 1/2014  
 EM 002390658-0002 1/2014  
 EM 002390658-0003 1/2014  
 EM 002390658-0004 1/2014  
 EM 002390658-0005 1/2014  
 EM 002390658-0006 1/2014  
 EM 002390658-0007 1/2014

EM 002390658-0008 1/2014  
 EM 002453282-0001 4/2014  
 EM 002453282-0002 4/2014  
 EM 002480079-0001 6/2014  
 EM 002480079-0002 6/2014  
 EM 002480079-0003 6/2014  
 EM 002480079-0004 6/2014  
 EM 002063412-0001 9/2014  
 EM 002063412-0002 9/2014  
 EM 002063412-0003 9/2014  
 EM 002063412-0004 9/2014  
 EM 002063453-0001 9/2014  
 EM 002063438-0001 10/2014  
 EM 002680801-0001 4/2015  
 EM 002680801-0002 4/2015  
 EM 002680801-0003 4/2015  
 EM 002294900-0001 9/2015  
 EM 002294900-0002 9/2015  
 EM 002294900-0003 9/2015  
 EM 002294900-0004 9/2015  
 EM 002294900-0005 9/2015  
 EM 002294900-0006 9/2015  
 EM 002844035-0001 11/2015  
 EM 002844035-0002 11/2015  
 EP 1375637 A1 1/2004  
 EP 1478727 A1 11/2004  
 EP 1478727 B2 11/2004  
 PL 21973 S2 2/2016  
 TR DM-082599-0003 4/2013  
 TR DM-082599-0005 4/2013  
 TR DM-082599-0012 4/2013  
 TR DM-082599-0015 4/2013  
 TR DM-082599-0020 4/2013  
 TR DM-082599-0022 4/2013  
 TR DM-082599-0023 4/2013  
 WO 0136290 A1 5/2001  
 WO 20010036290 A1 5/2001  
 WO 20080087417 A1 7/2008  
 WO DM-082599-0001 4/2013  
 WO DM-082599-0002 4/2013  
 WO DM-082599-0003 4/2013  
 WO DM-082599-0004 4/2013  
 WO DM-082599-0005 4/2013  
 WO DM-082599-0006 4/2013  
 WO DM-082599-0007 4/2013  
 WO DM-082599-0008 4/2013  
 WO DM-082599-0009 4/2013  
 WO DM-082599-0010 4/2013  
 WO DM-082599-0011 4/2013  
 WO DM-082599-0012 4/2013  
 WO DM-082599-0013 4/2013  
 WO DM-082599-0014 4/2013  
 WO DM-082599-0015 4/2013  
 WO DM-082599-0016 4/2013  
 WO DM-082599-0017 4/2013  
 WO DM-082599-0018 4/2013  
 WO DM-082599-0019 4/2013  
 WO DM-082599-0020 4/2013  
 WO DM-082599-0021 4/2013  
 WO DM-082599-0022 4/2013  
 WO DM-082599-0023 4/2013  
 WO DM-082599-0024 4/2013  
 WO DM-082599-0025 4/2013  
 WO DM-082599-0026 4/2013  
 WO DM-082599-0027 4/2013  
 WO DM-082599-0028 4/2013  
 WO DM-082599-0029 4/2013  
 WO DM-083857-0001 6/2014  
 WO DM-083857-0002 6/2014  
 WO DM-083857-0003 6/2014  
 WO DM-085740-0001 2/2015

\* cited by examiner

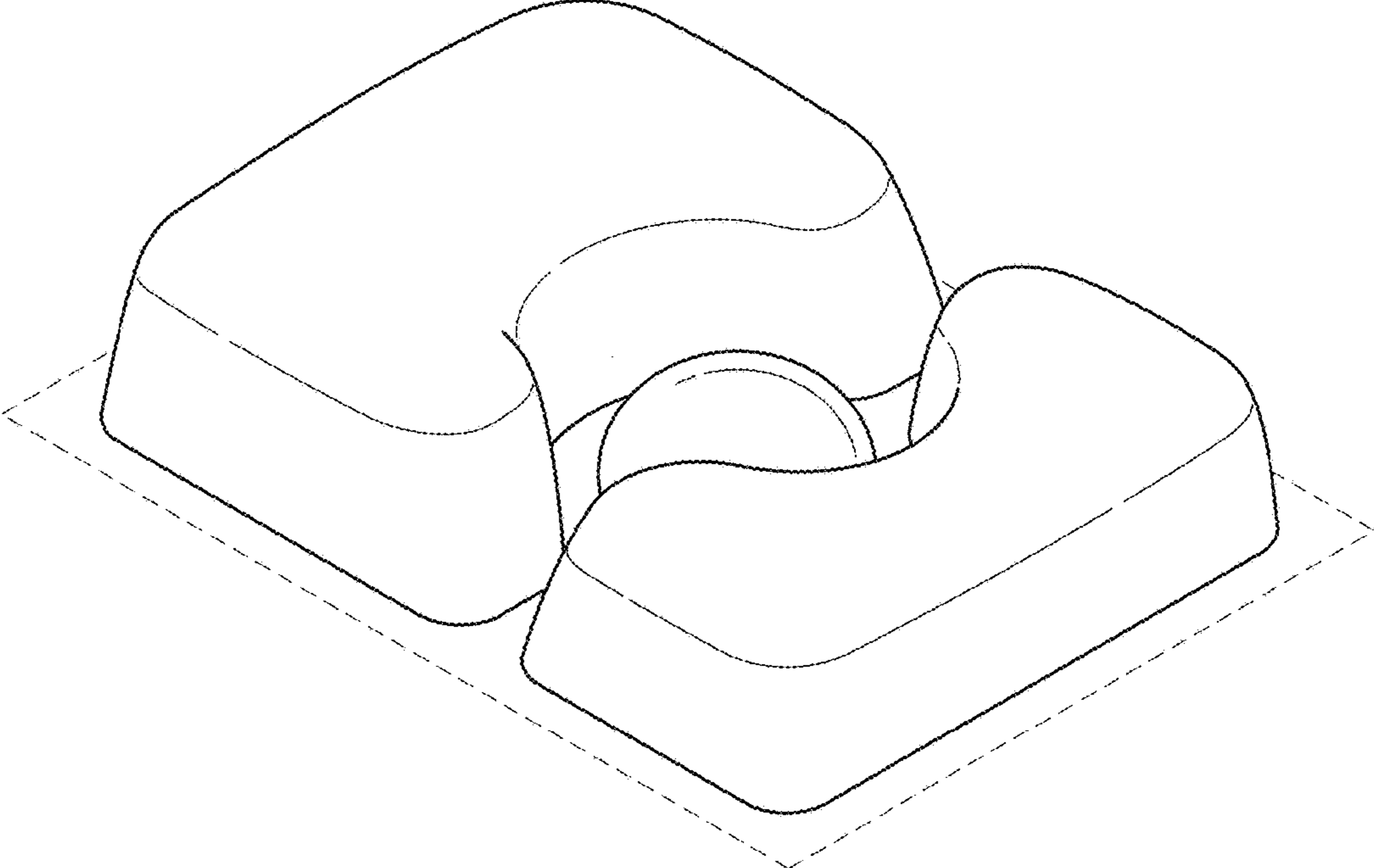


Fig. 1

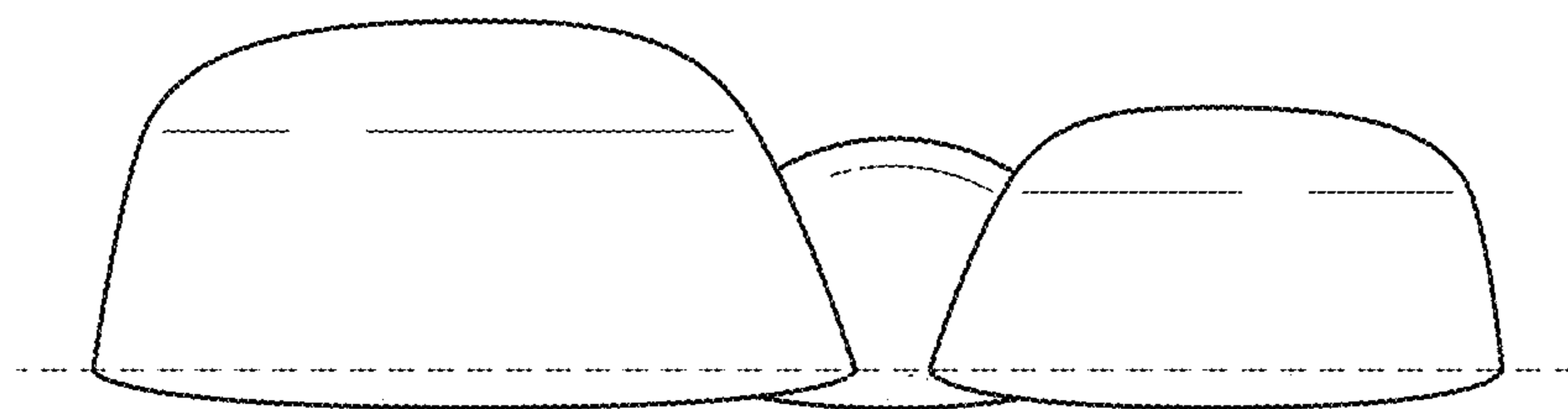


Fig. 2

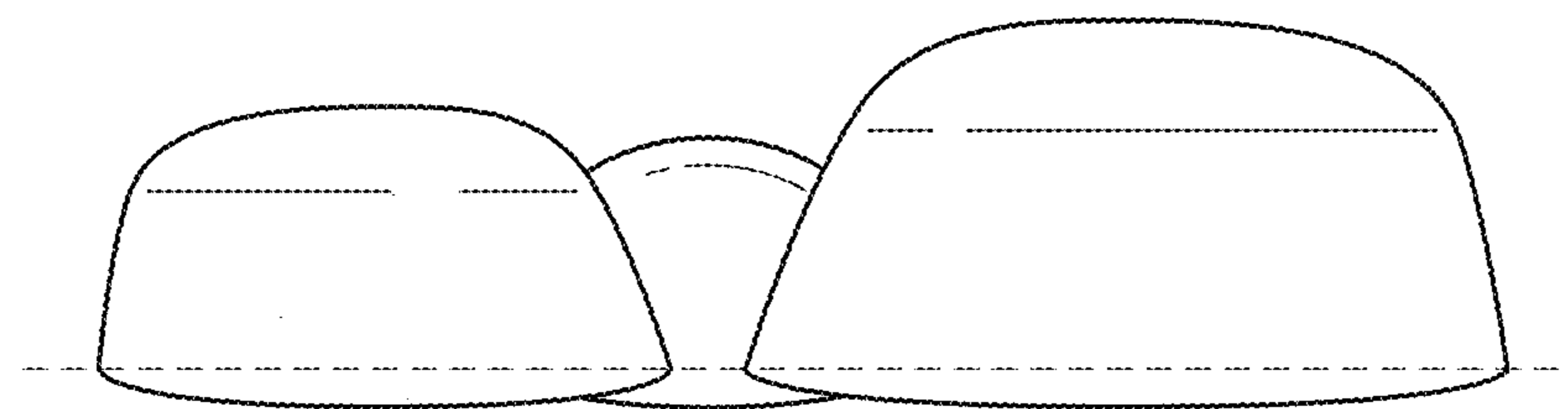


Fig. 3

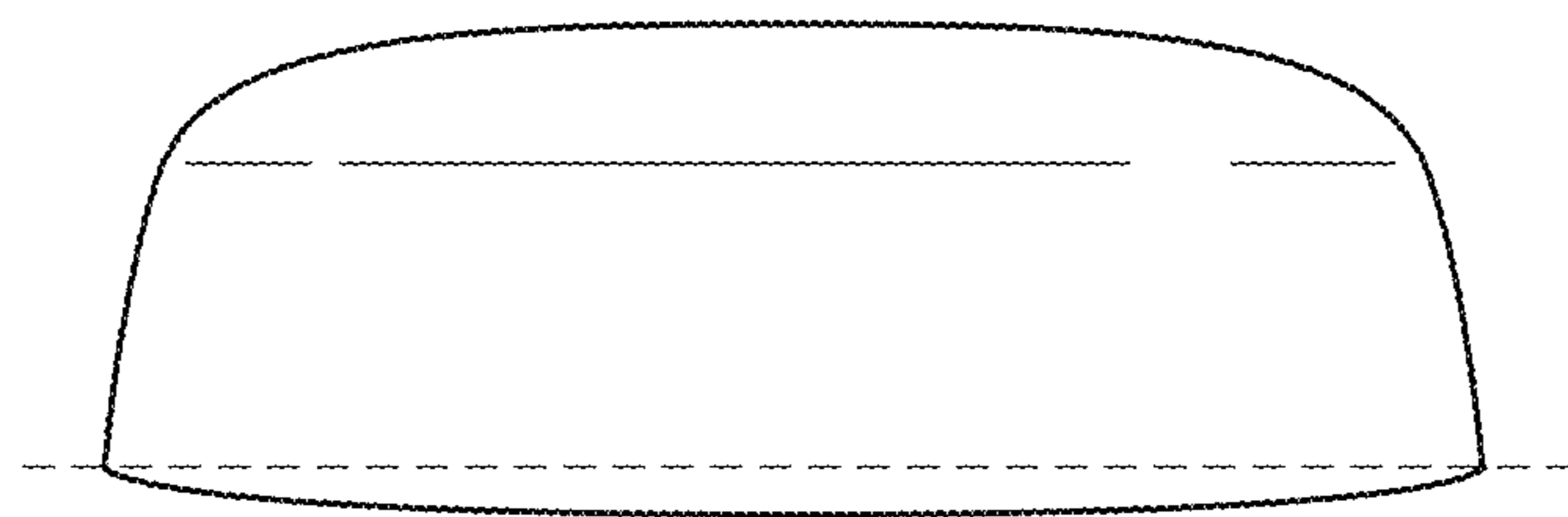


Fig. 4

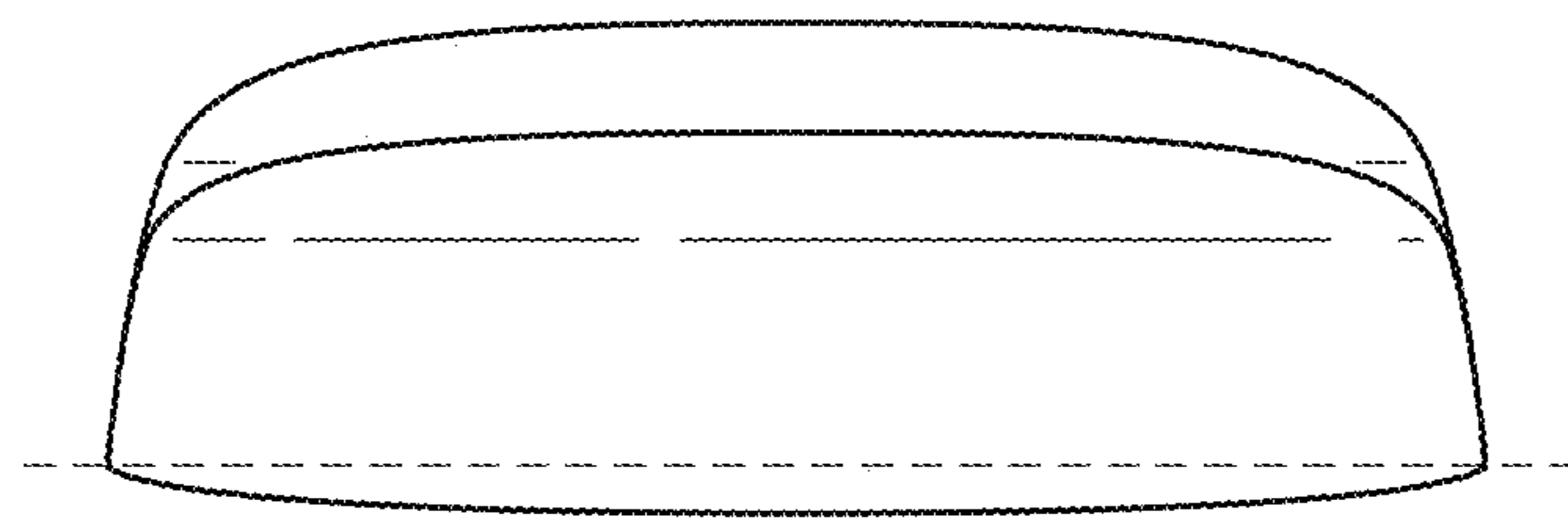


Fig. 5

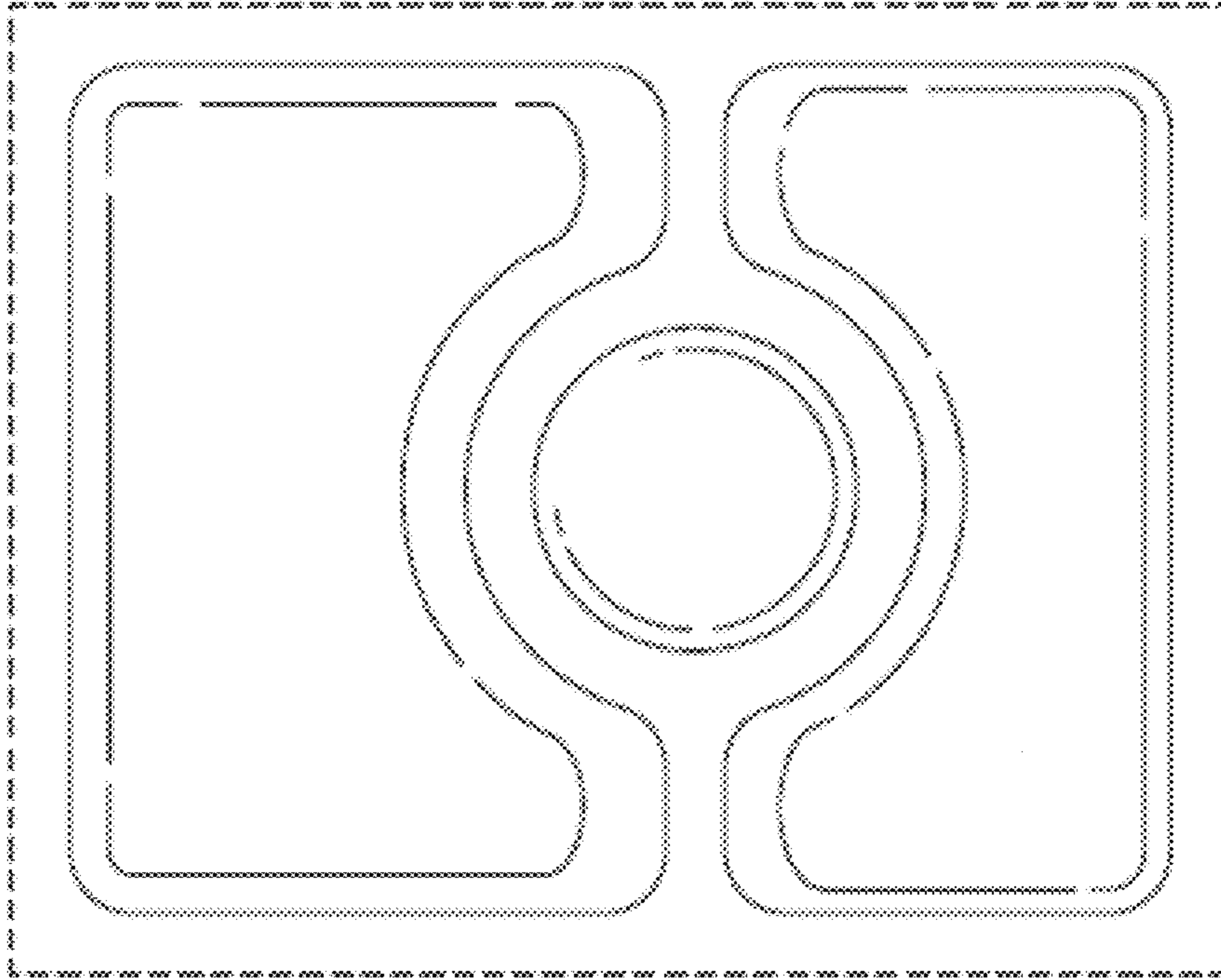


Fig. 6

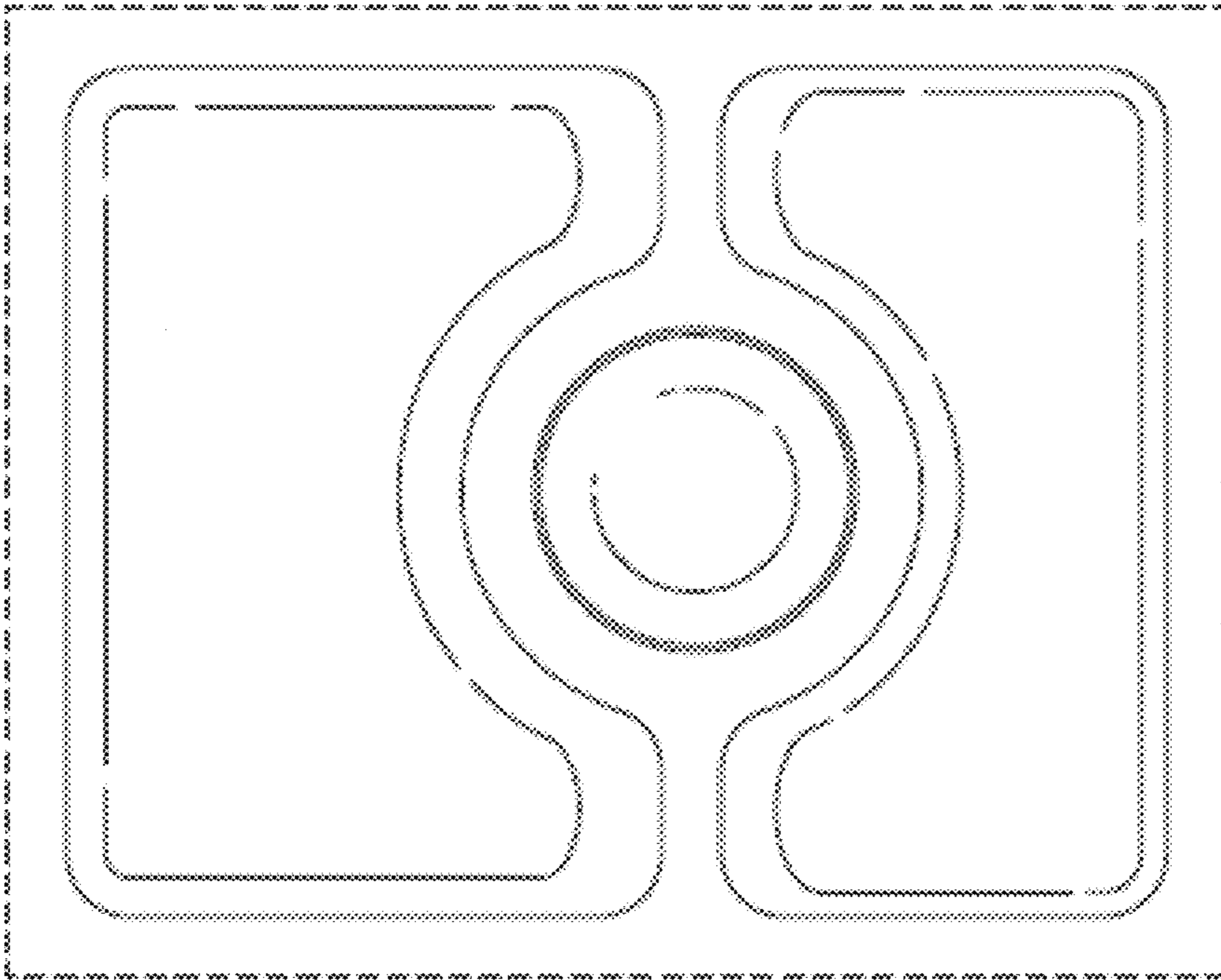


Fig. 7