



US00D785864S

(12) **United States Design Patent**
Showers et al.

(10) **Patent No.:** **US D785,864 S**

(45) **Date of Patent:** **** May 2, 2017**

(54) **CIGAR AND ACCESSORY HOLDER**

(71) Applicants: **Casey Steven Showers**, Oxnard, CA
(US); **Margaret E Summers**, Oxnard,
CA (US)

(72) Inventors: **Casey Steven Showers**, Oxnard, CA
(US); **Margaret E Summers**, Oxnard,
CA (US)

(**) Term: **14 Years**

(21) Appl. No.: **29/510,070**

(22) Filed: **Nov. 24, 2014**

Related U.S. Application Data

(63) Continuation of application No. 29/431,284, filed on
Sep. 5, 2012, now abandoned, which is a continuation
of application No. 29/341,299, filed on Aug. 3, 2009,
now abandoned, which is a continuation of
application No. 29/331,189, filed on Jan. 21, 2009,
now abandoned, which is a continuation-in-part of
application No. 29/280,652, filed on Jun. 4, 2007,
now abandoned.

(51) **LOC (10) Cl.** **27-06**

(52) **U.S. Cl.**
USPC **D27/185**

(58) **Field of Classification Search**

USPC D27/185, 187, 189; D24/226; D19/27;
D3/201, 206, 275, 283, 303; 206/256;
902/30
CPC B25H 3/02; A61F 6/005; A24F 47/008;
A45C 3/00

See application file for complete search history.

(56) **References Cited**

U.S. PATENT DOCUMENTS

1,094,009 A * 4/1914 Parkhurst B25H 3/02
206/373
D98,643 S * 2/1936 Byron D27/185

D237,749 S * 11/1975 McGrath D3/284
4,301,916 A * 11/1981 Handelman A61F 6/005
206/256
D268,785 S * 4/1983 Sommers D24/226
D291,745 S * 9/1987 Hansen D3/284
D293,162 S * 12/1987 Carmichael 902/30
4,718,524 A * 1/1988 Crumley A45C 3/00
150/113
D375,621 S * 11/1996 Sudbrock D3/20
D382,900 S * 8/1997 Wyant D19/27
D400,702 S * 11/1998 McEvoy Sherman D3/201
D445,564 S * 7/2001 Brookhouse D3/206
D454,687 S * 3/2002 Wolf D3/275
D455,550 S * 4/2002 Wolf D3/275
D455,902 S * 4/2002 Wolf D3/275
D503,279 S * 3/2005 Smith D3/283

(Continued)

Primary Examiner — Rosemary K Tarcza

Assistant Examiner — Yolanda Robinson

(74) *Attorney, Agent, or Firm* — Plumsea Law Group,
LLC

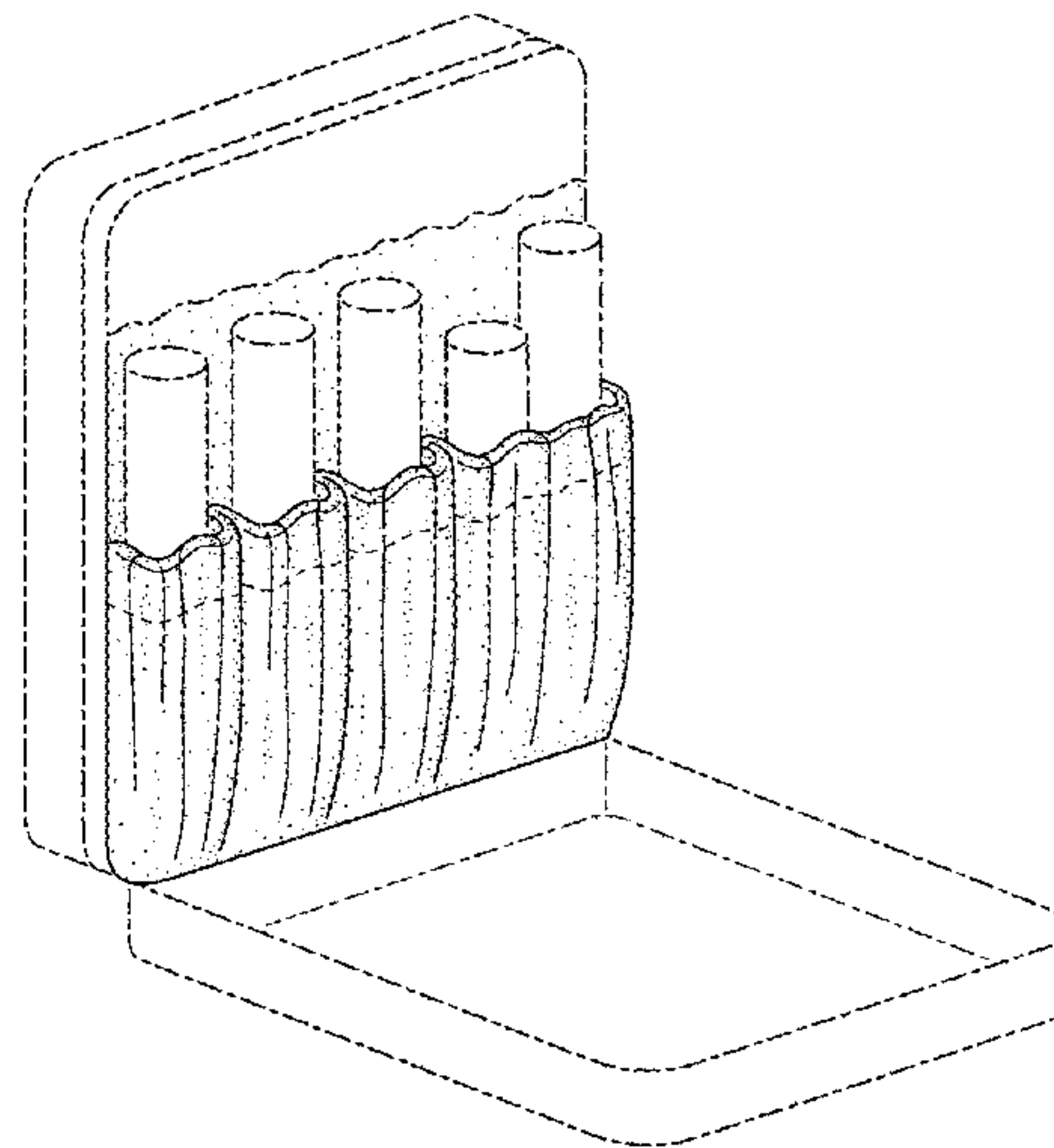
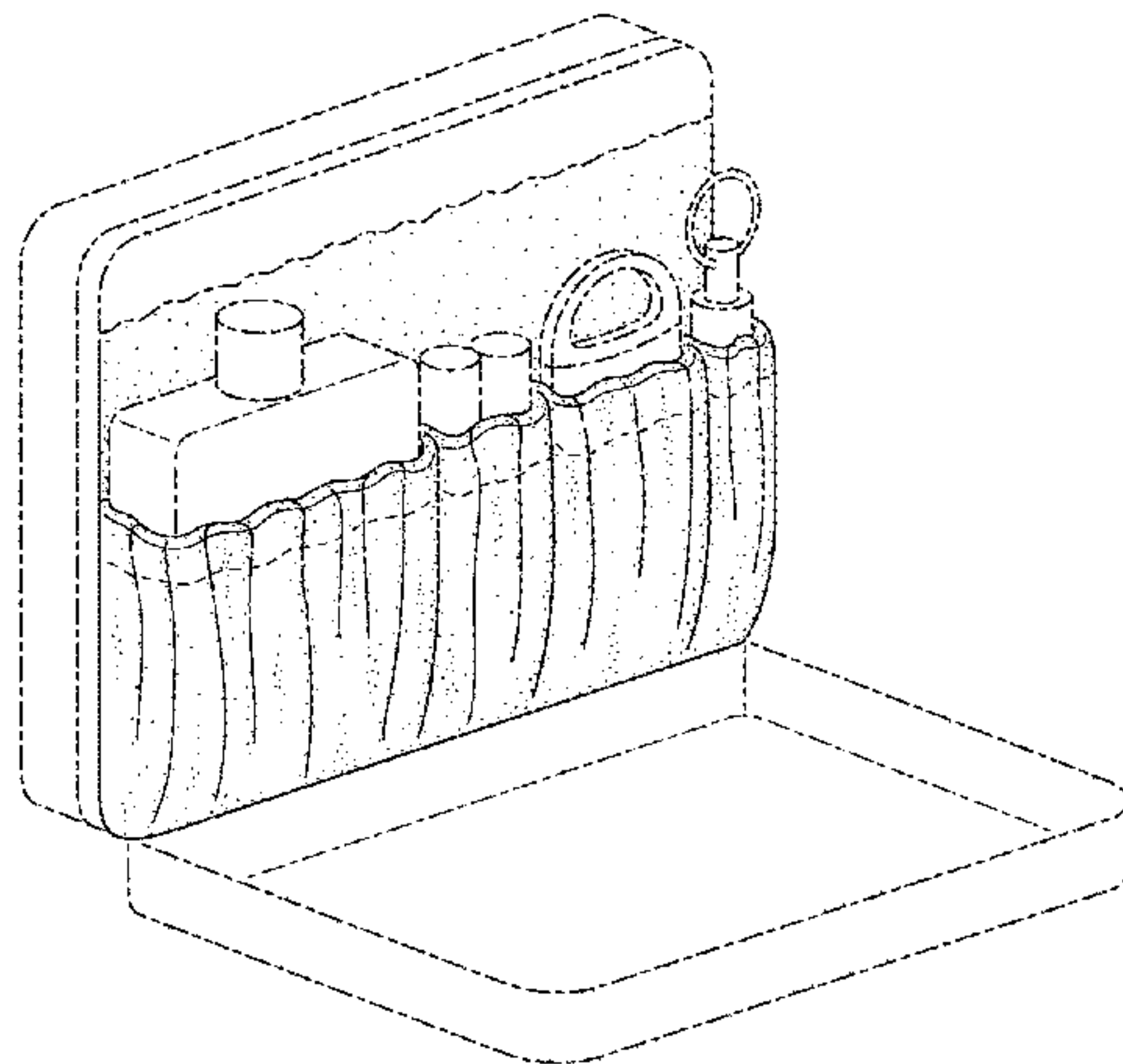
(57) **CLAIM**

The ornamental design for a cigar and accessory holder, as
shown and described.

DESCRIPTION

FIG. 1 is a perspective view of a cigar and accessory holder
showing a first embodiment of our new design;
FIG. 2 is an elevational view thereof;
FIG. 3 is a perspective view of a cigar and accessory holder
showing a second embodiment of our new design; and,
FIG. 4 is an elevational view thereof.
The even broken line showings within the shaded area
denote stitching lines which are a part of our claimed design.
The uneven broken line showings of the boundaries of the
claim, the cigars and accessories and the remainder of a
carrying case are for illustrative purposes only and form no
part of the claimed design.

1 Claim, 4 Drawing Sheets



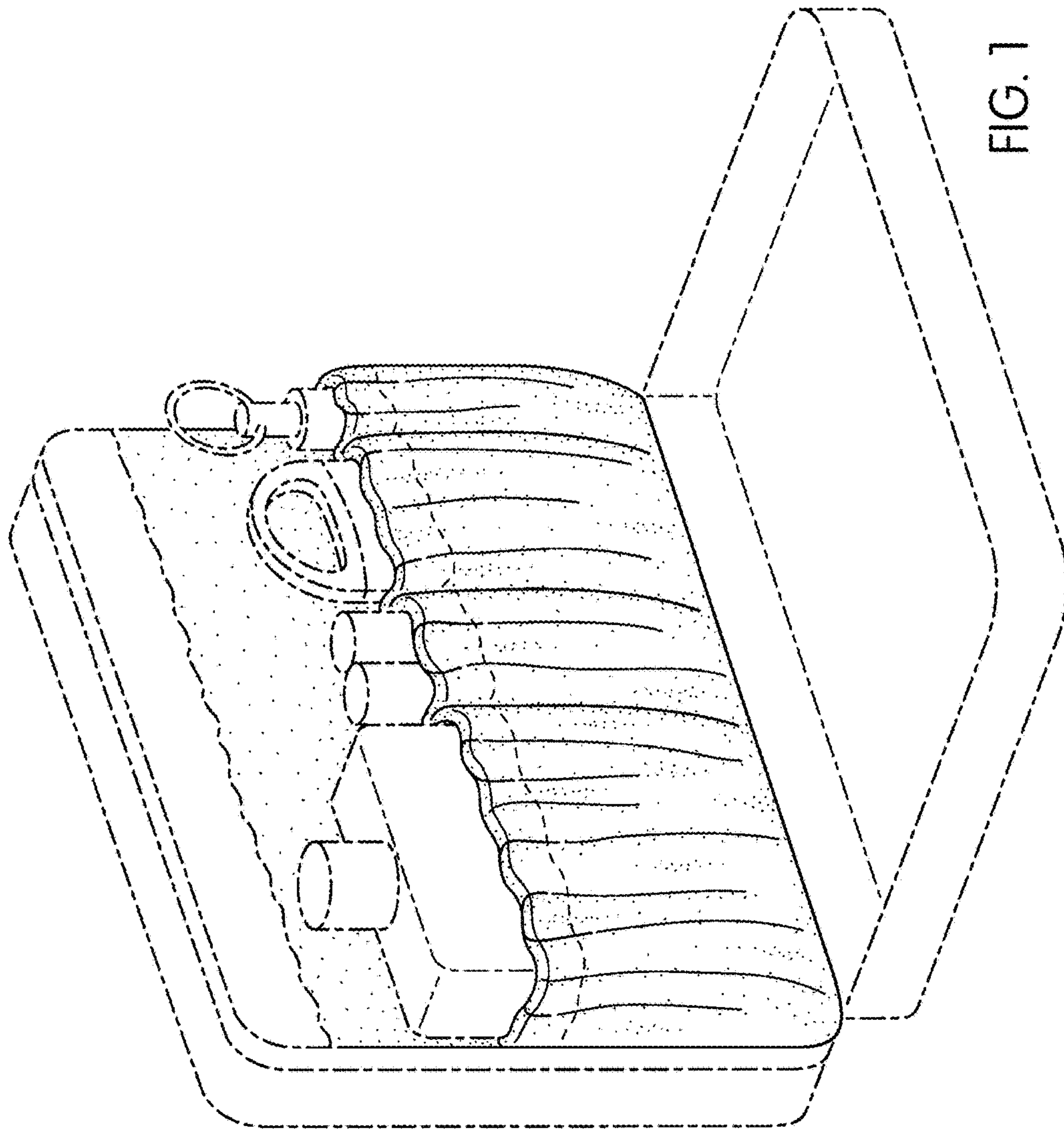
(56)

References Cited

U.S. PATENT DOCUMENTS

D565,298	S *	4/2008	Braun	D3/273
D568,533	S *	5/2008	Bagaric	D27/186
D572,006	S *	7/2008	Preston	D3/303
D573,303	S *	7/2008	Fuente	D27/189
D591,899	S *	5/2009	Bray	D27/189
D627,508	S *	11/2010	Showers	D27/185
D630,837	S *	1/2011	Ferrence	D3/205
D690,461	S *	9/2013	Chen	D27/187
D706,539	S *	6/2014	Hondos	D3/303
D710,105	S *	8/2014	Hondos	D3/303
D713,643	S *	9/2014	Adinolfe, Sr.	D3/303
2006/0124150	A1 *	6/2006	McEvoy-Sherman	. A45C 11/24	
					132/316
2015/0128975	A1 *	5/2015	Alarcon A24F 47/008	
					131/329

* cited by examiner



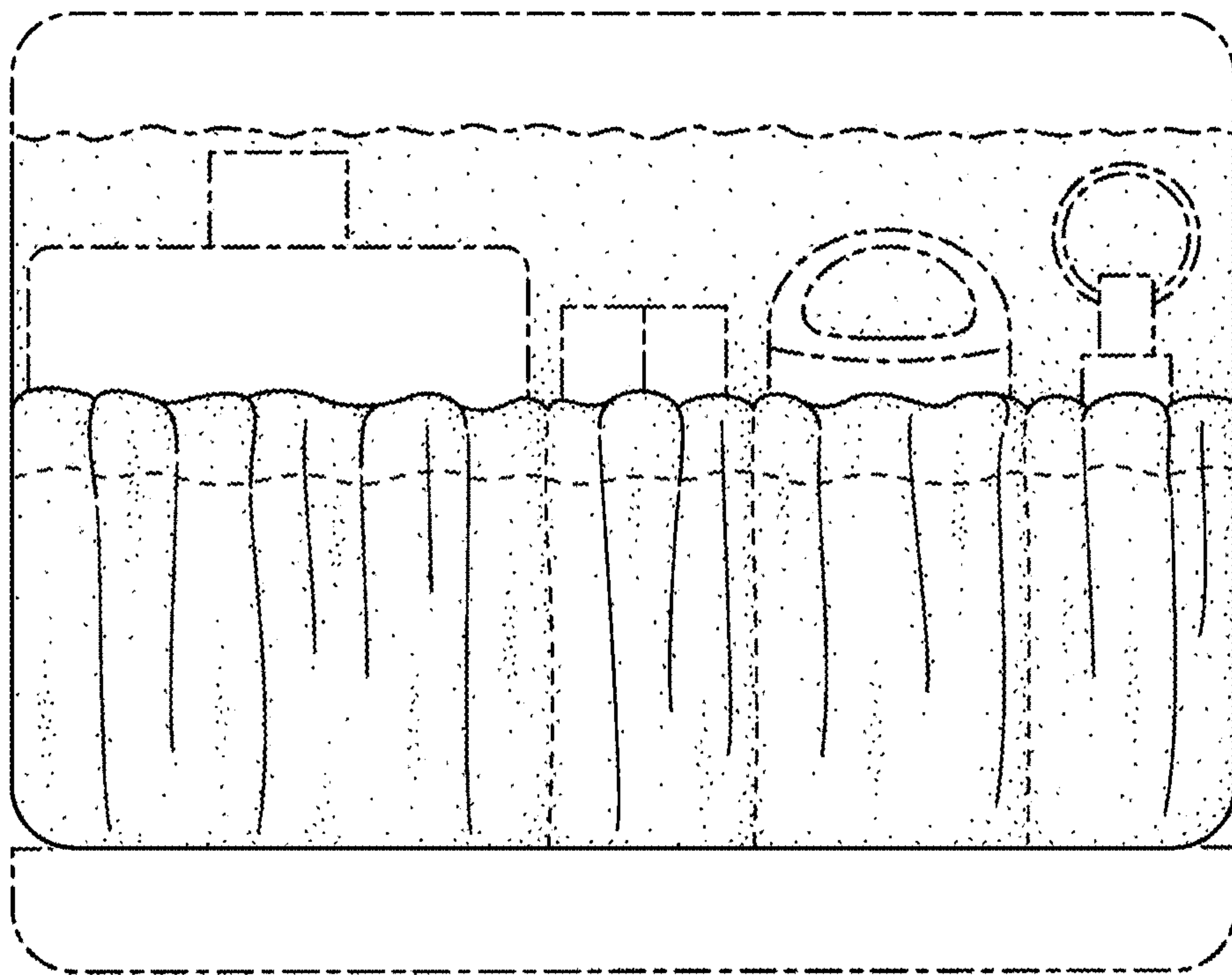


FIG. 2

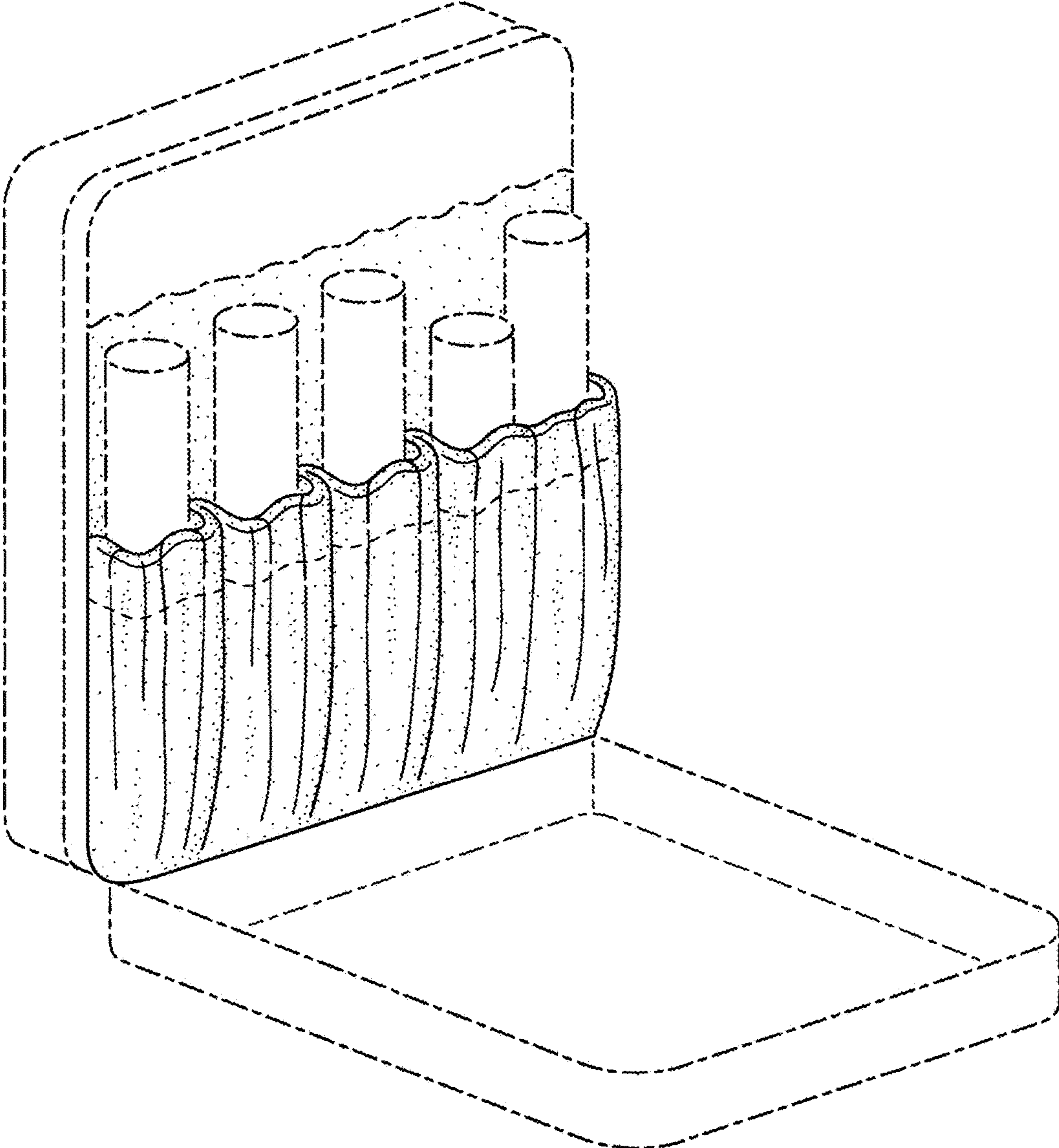


FIG. 3

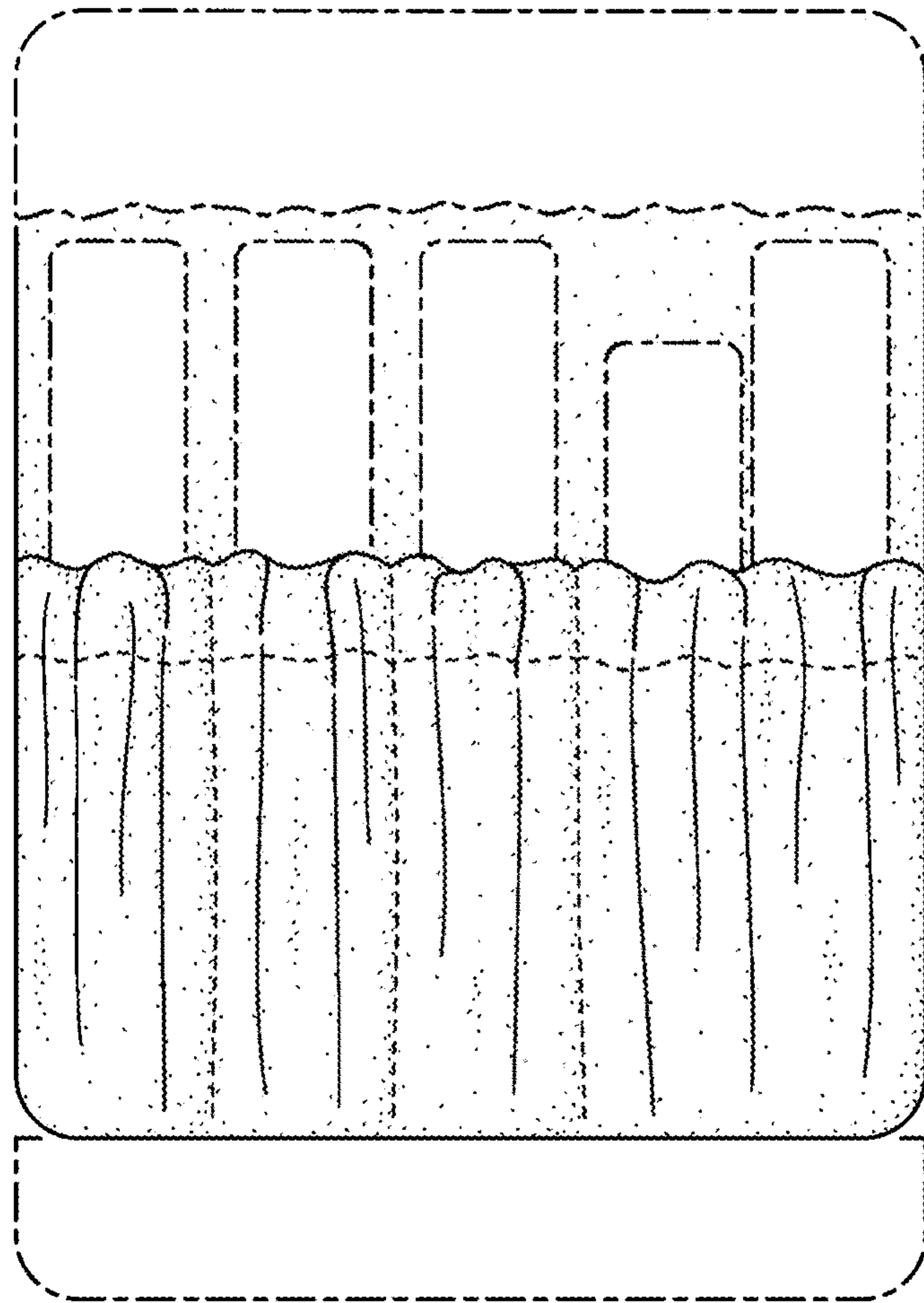


FIG. 4