



US00D785863S

(12) **United States Design Patent**
Harmon

(10) **Patent No.:** **US D785,863 S**

(45) **Date of Patent:** **** May 2, 2017**

- (54) **CIGARETTE COVER**
- (71) Applicant: **John B. Harmon**, Missoula, MT (US)
- (72) Inventor: **John B. Harmon**, Missoula, MT (US)
- (**) Term: **14 Years**
- (21) Appl. No.: **29/514,640**
- (22) Filed: **Jan. 14, 2015**
- (51) **LOC (10) Cl.** **27-06**
- (52) **U.S. Cl.**
USPC **D27/183**
- (58) **Field of Classification Search**
USPC D27/101, 162, 163-170, 172, 183, 187;
D24/110, 110.5; D23/360; 131/336, 330,
131/175, 178
CPC A61M 15/06; A24F 47/00; A24F 47/002;
A24F 47/004; A24F 47/006; A24F 47/008
See application file for complete search history.

2,827,059	A *	3/1958	Czap	A24F 13/14 131/175
2,884,930	A	5/1959	Mason		
2,890,705	A	6/1959	Beck		
3,886,954	A	6/1975	Hannema et al.		
3,916,916	A	11/1975	Bramucci		
4,289,149	A	9/1981	Kyriakou		
D292,324	S *	10/1987	Decker	D27/170
6,318,376	B1 *	11/2001	Cheng	3/4
6,345,625	B1	2/2002	Chew		
6,349,728	B1	2/2002	Pham		
D485,639	S *	1/2004	Stronski	D27/170
7,600,517	B1	10/2009	Holzrichter		
D658,807	S *	5/2012	Aboushi	D27/169
D739,601	S *	9/2015	Bahbah	D27/170
D744,696	S *	12/2015	Malhi	D27/169
2013/0167850	A1	7/2013	Al-Aawar		
2015/0272211	A1 *	10/2015	Chung	A24F 47/008 206/242

* cited by examiner

Primary Examiner — Susan Bennett Hattan
Assistant Examiner — Janice Hallmark
(74) *Attorney, Agent, or Firm* — Sarah J. Rhoades

(56) **References Cited**
U.S. PATENT DOCUMENTS

1,211,071	A	1/1917	Brown
1,498,190	A	6/1924	Morrier
1,529,556	A	3/1925	Sheppard
1,534,560	A	4/1925	Baity
1,552,182	A	9/1925	Todd
1,552,548	A	9/1925	Donivan et al.
1,639,993	A	8/1927	Gologan
1,857,304	A	5/1932	Hice
1,915,405	A	6/1933	Collins
2,113,734	A	4/1938	Lykos et al.
2,471,116	A	5/1949	Newberger
2,646,049	A	7/1953	Orchard
2,679,251	A	5/1954	Simmer
2,717,607	A	9/1955	Rogers
2,761,456	A	9/1956	Pirrone

(57) **CLAIM**

The ornamental design for a cigarette cover, as shown and described.

DESCRIPTION

FIG. 1 is a perspective view of the new design for a cigarette cover;
FIG. 2 is a perspective view thereof, with the cigarette removed from the cigarette cover;
FIG. 3 is a side view thereof; and,
FIG. 4 is a perspective, disassembled view thereof.
The broken lines in the drawings showing a cigarette and cigarette mouthpiece depict environmental subject matter only and form no part of the claimed design.

1 Claim, 4 Drawing Sheets

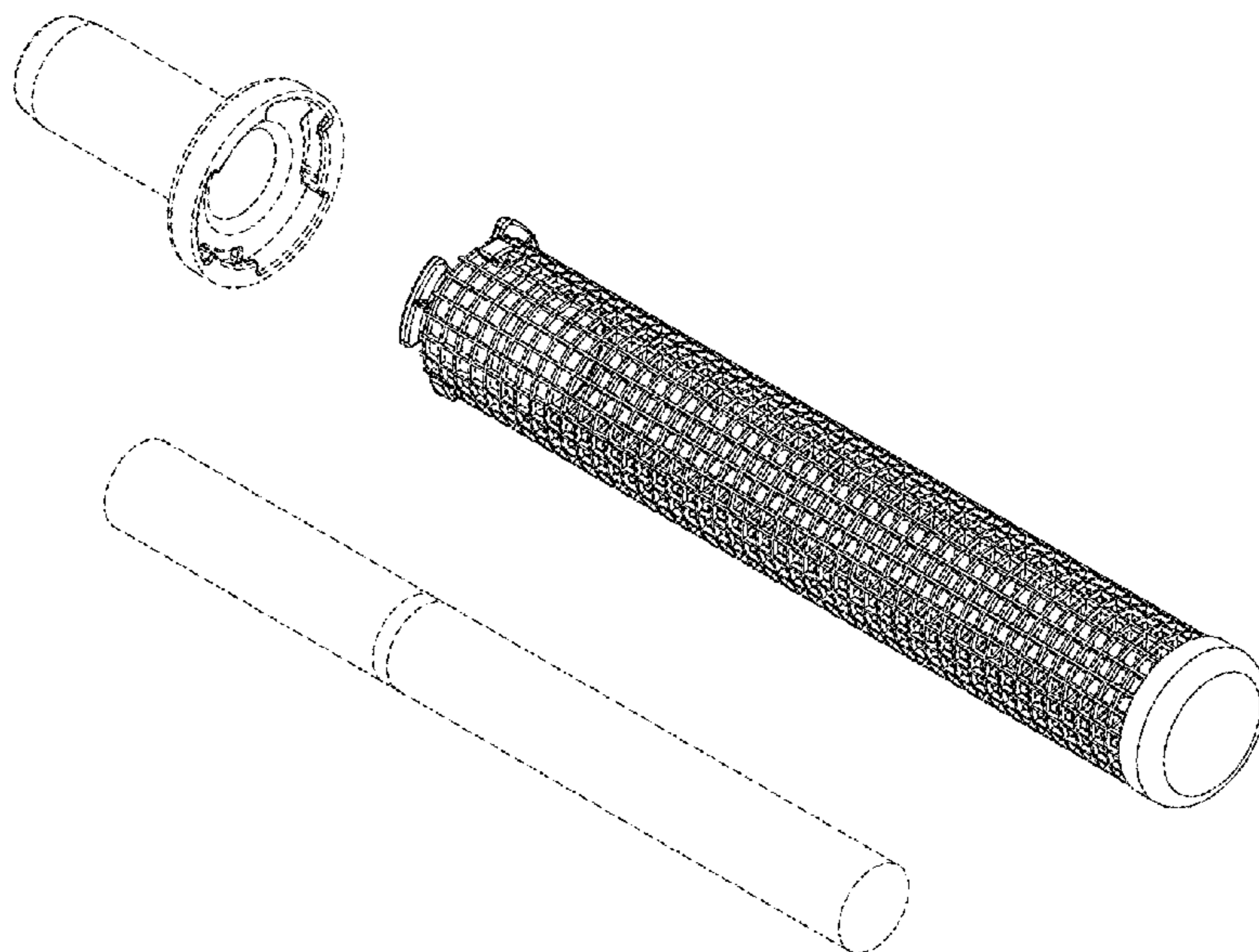


FIG. 1

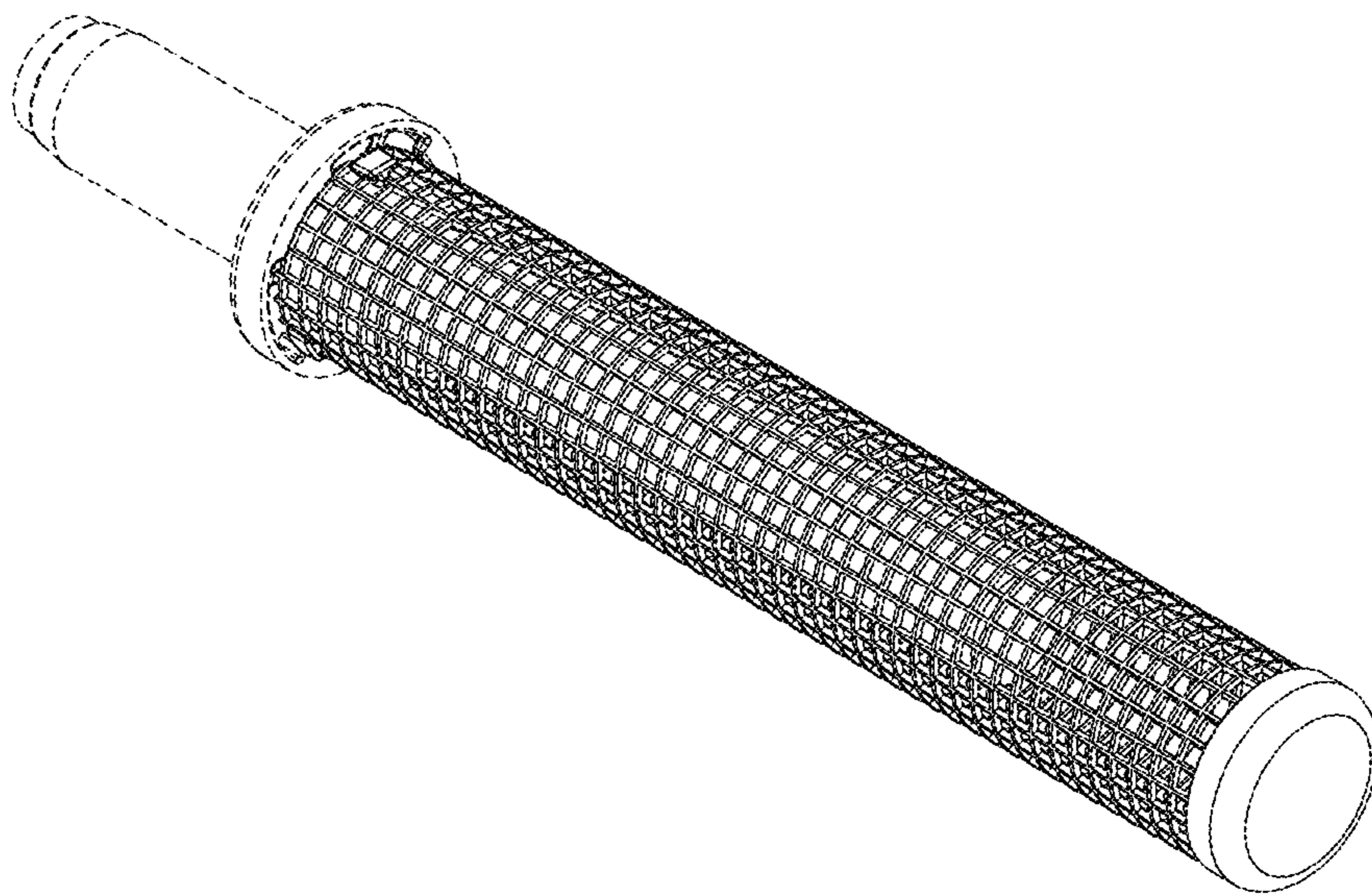


FIG. 2

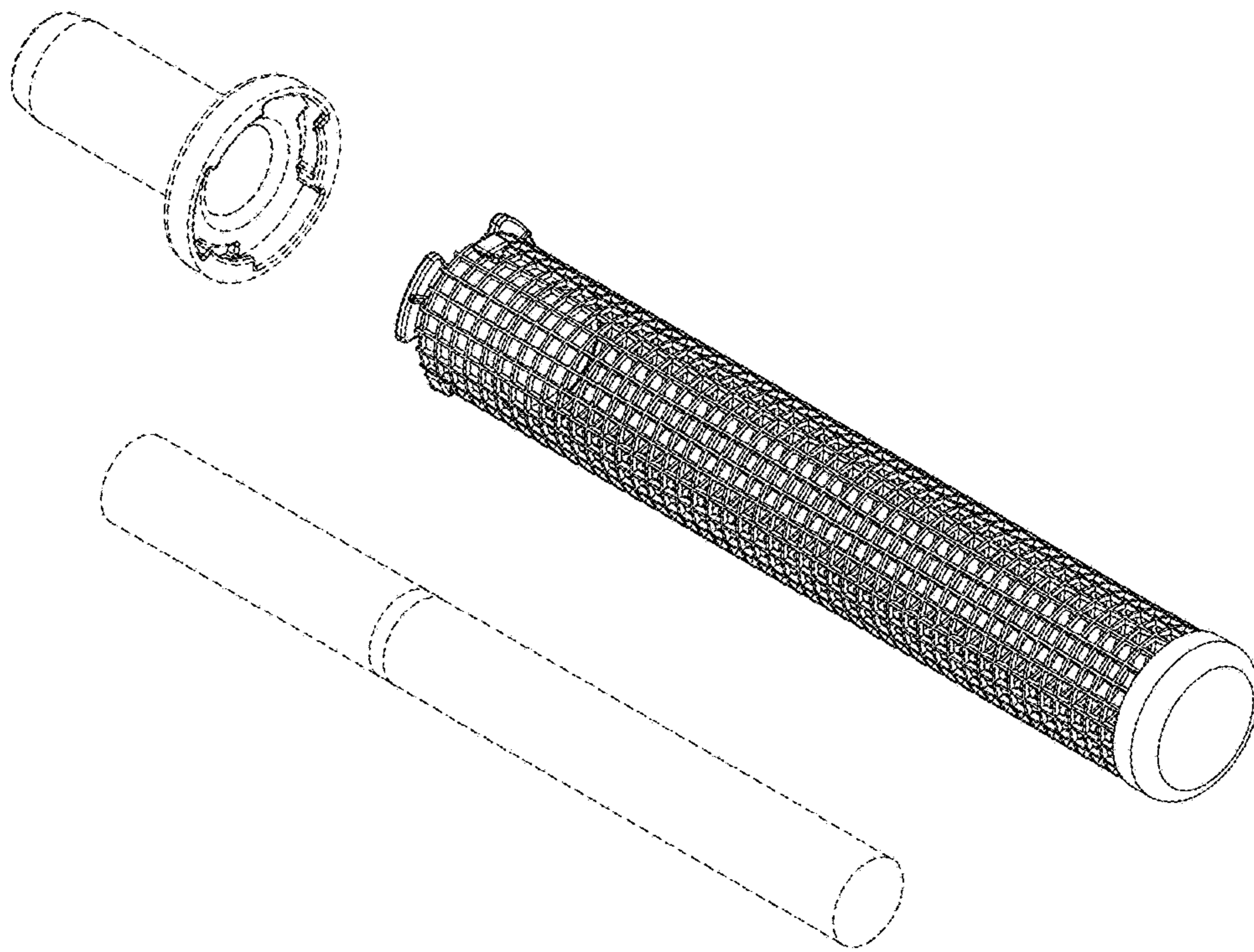


FIG. 3

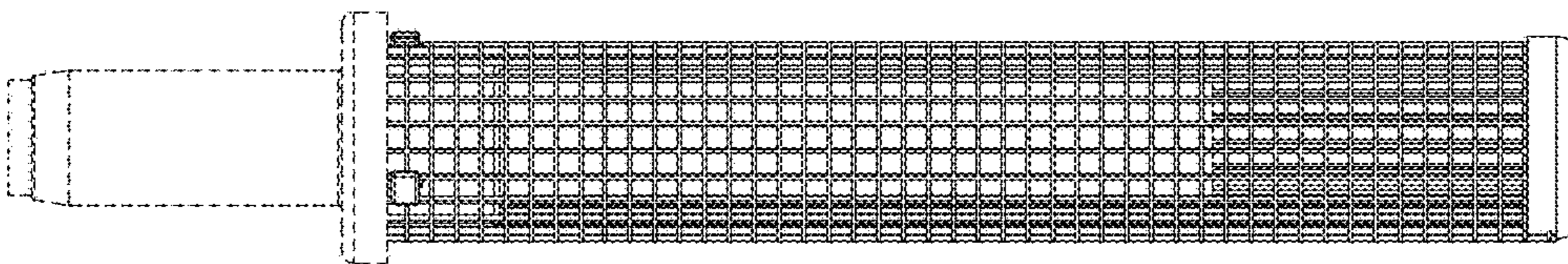


FIG. 4

