



US00D785862S

(12) **United States Design Patent** (10) **Patent No.:** **US D785,862 S**
Wu (45) **Date of Patent:** **** May 2, 2017**

- (54) **ELECTRONIC CIGARETTE**
- (71) Applicant: **SHENZHEN JIESHIBO TECHNOLOGY CO., LTD.,**
Guangdong (CN)
- (72) Inventor: **Jianyong Wu,** Guangdong (CN)
- (**) Term: **15 Years**
- (21) Appl. No.: **29/541,682**
- (22) Filed: **Oct. 7, 2015**
- (30) **Foreign Application Priority Data**
Aug. 21, 2015 (CN) 2015 3 0317145
- (51) **LOC (10) Cl.** **27-02**
- (52) **U.S. Cl.**
USPC **D27/167**
- (58) **Field of Classification Search**
USPC D3/203.1, 203.6; D9/432; D13/118,
D13/119; D27/100, 139, 141, 142, 143,
D27/144, 162, 163, 164, 167, 172-193,
D27/194
CPC A24F 47/00; A24F 47/008; H05B 3/03;
A61M 16/108; A61M 16/10
See application file for complete search history.

- (56) **References Cited**
U.S. PATENT DOCUMENTS
D368,552 S * 4/1996 Adams D27/194
D411,332 S * 6/1999 Zelenik D27/187
5,934,289 A * 8/1999 Watkins A24F 47/008
128/202.21
D421,150 S * 2/2000 Wong D27/141
D433,532 S * 11/2000 Higgins D27/186
6,615,840 B1 * 9/2003 Fournier A24F 47/008
131/194
RE38,260 E * 10/2003 Wong F23Q 2/34
D27/141

- D577,150 S * 9/2008 Bryman D27/163
- D649,708 S * 11/2011 Oneil D27/163
- D695,391 S * 12/2013 Takemoto D24/113
- D728,855 S * 5/2015 Liu D27/163
- D729,444 S * 5/2015 Leidel D27/163
- D731,114 S * 6/2015 Leidel D27/163
- D733,356 S * 6/2015 Leidel D27/163
- D742,062 S * 10/2015 Almsberger D27/143
- D743,099 S * 11/2015 Oglesby D27/101
- D748,325 S * 1/2016 Leidel D27/163
- D751,756 S * 3/2016 Hearn D27/189
- D752,284 S * 3/2016 Doster D27/189
- D752,285 S * 3/2016 Doster D27/189
- D752,286 S * 3/2016 Doster D27/189
- D758,656 S * 6/2016 Freshwater D27/163
- 2010/0313901 A1 * 12/2010 Fernando A24F 47/008
131/330
- 2014/0014125 A1 * 1/2014 Fernando A24F 47/008
131/328

(Continued)

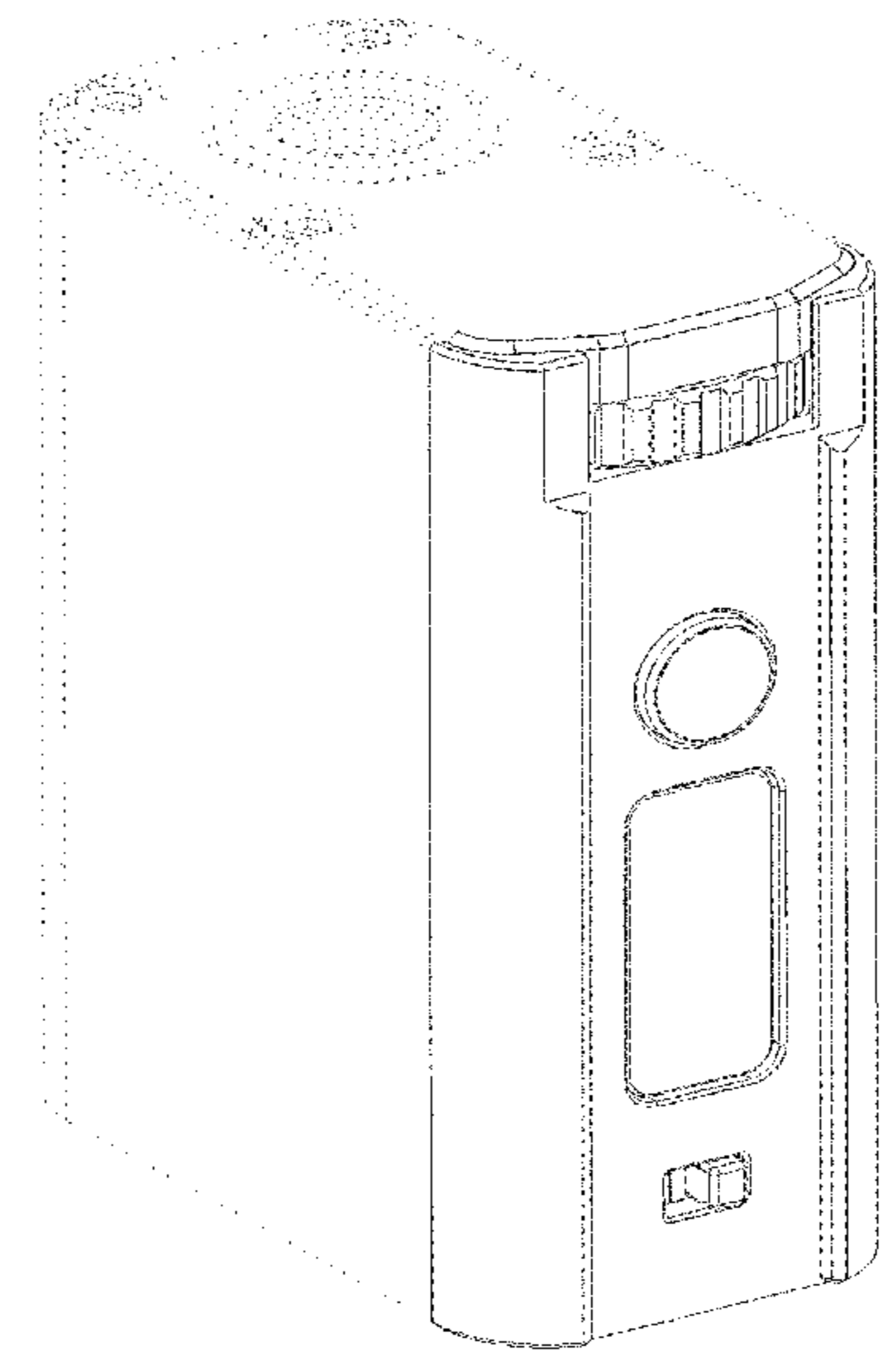
Primary Examiner — Robert M Spear
Assistant Examiner — Marissa J Cash
(74) *Attorney, Agent, or Firm* — Prakash Nama; Global IP Services, PLLC

(57) **CLAIM**
The ornamental design for an electronic cigarette, as shown and described.

DESCRIPTION

FIG. 1 is a front elevational view of an electronic cigarette showing my new design;
FIG. 2 is a left side view thereof;
FIG. 3 is a right side view thereof;
FIG. 4 is a top plan view thereof;
FIG. 5 is a bottom plan view thereof;
FIG. 6 is a top front perspective view thereof; and,
FIG. 7 is a bottom front perspective view thereof.
The broken lines shown in ail Figs. form no part of the claimed design.

1 Claim, 7 Drawing Sheets



(56)

References Cited

U.S. PATENT DOCUMENTS

2014/0217085 A1* 8/2014 Alima F23Q 7/16
219/474

* cited by examiner

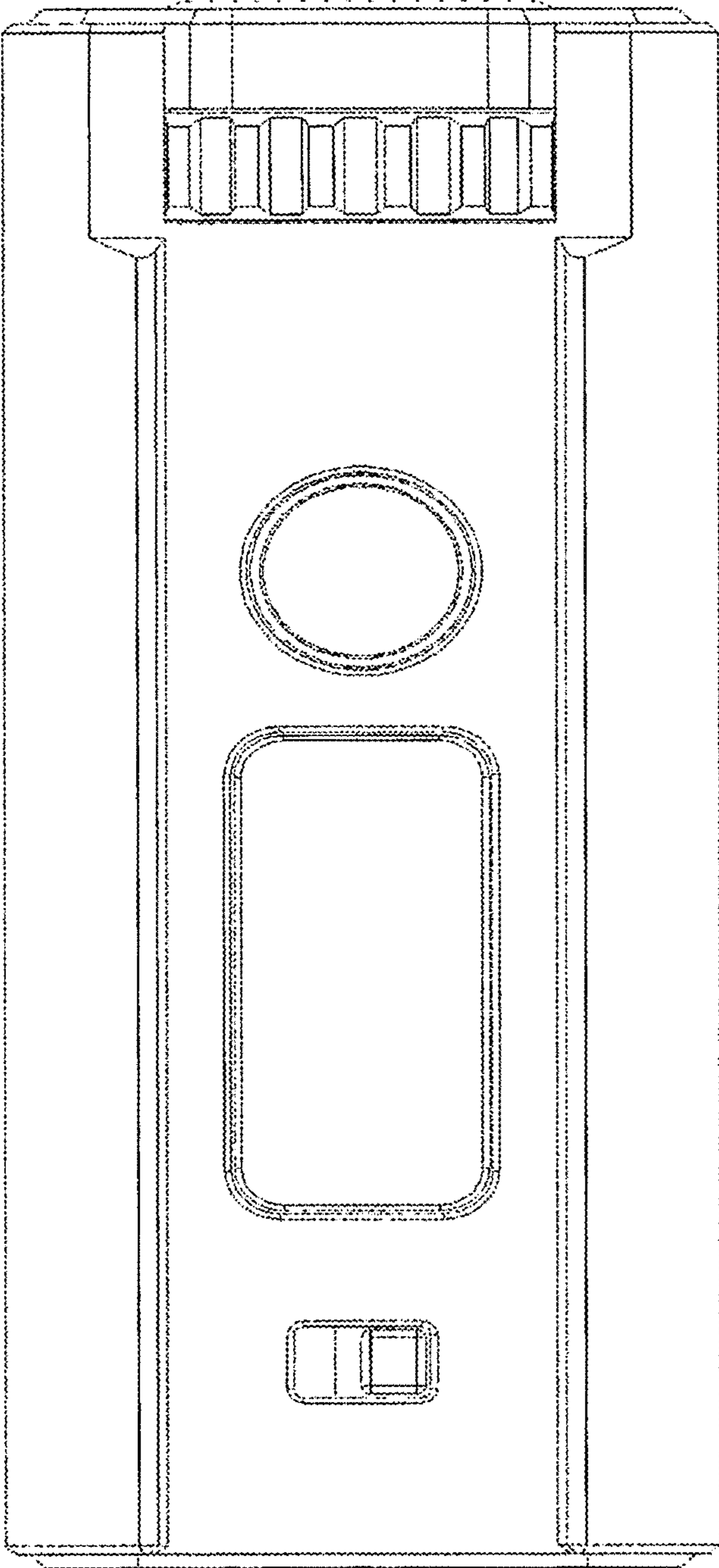


FIG. 1

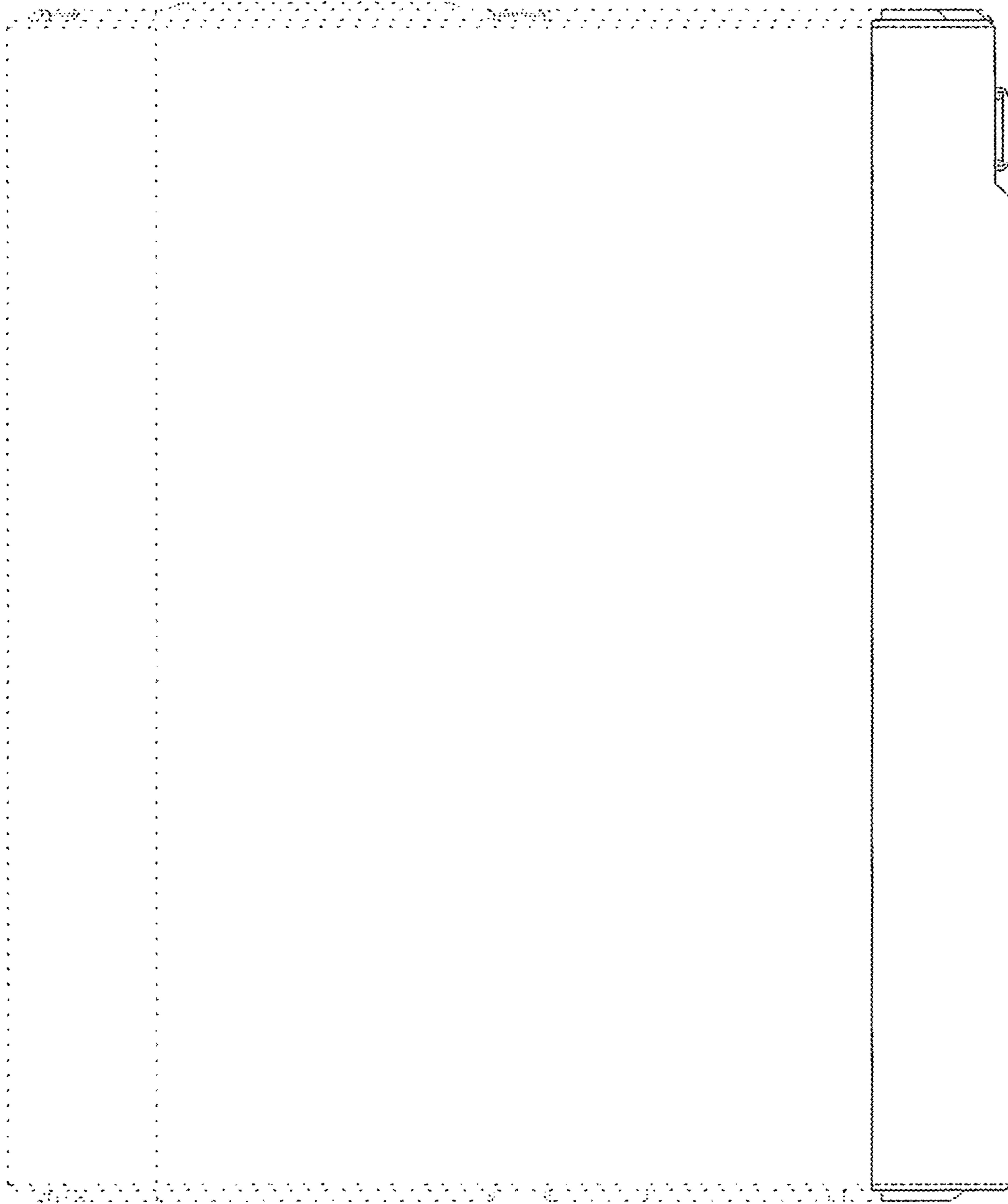


FIG. 2

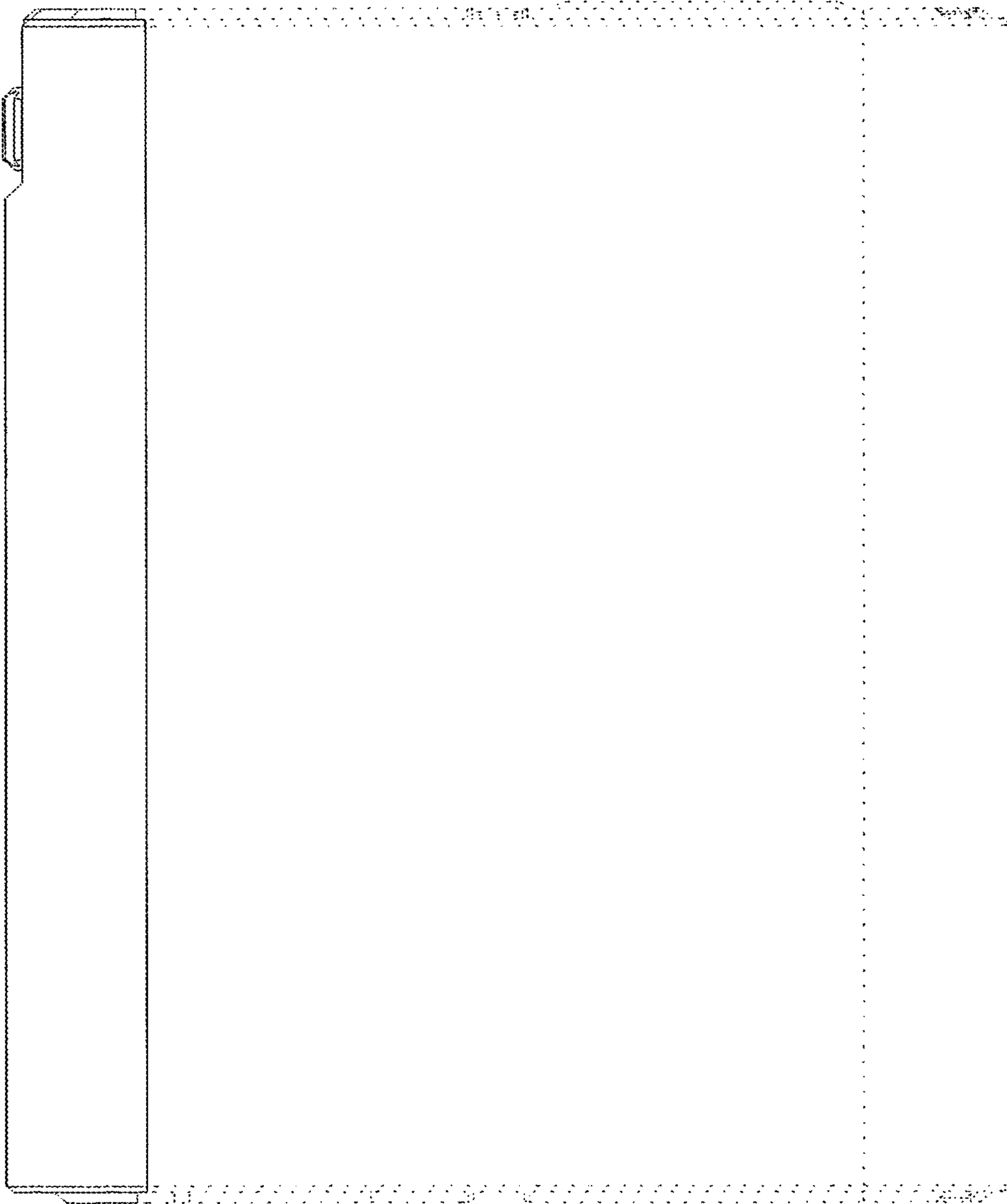


FIG. 3

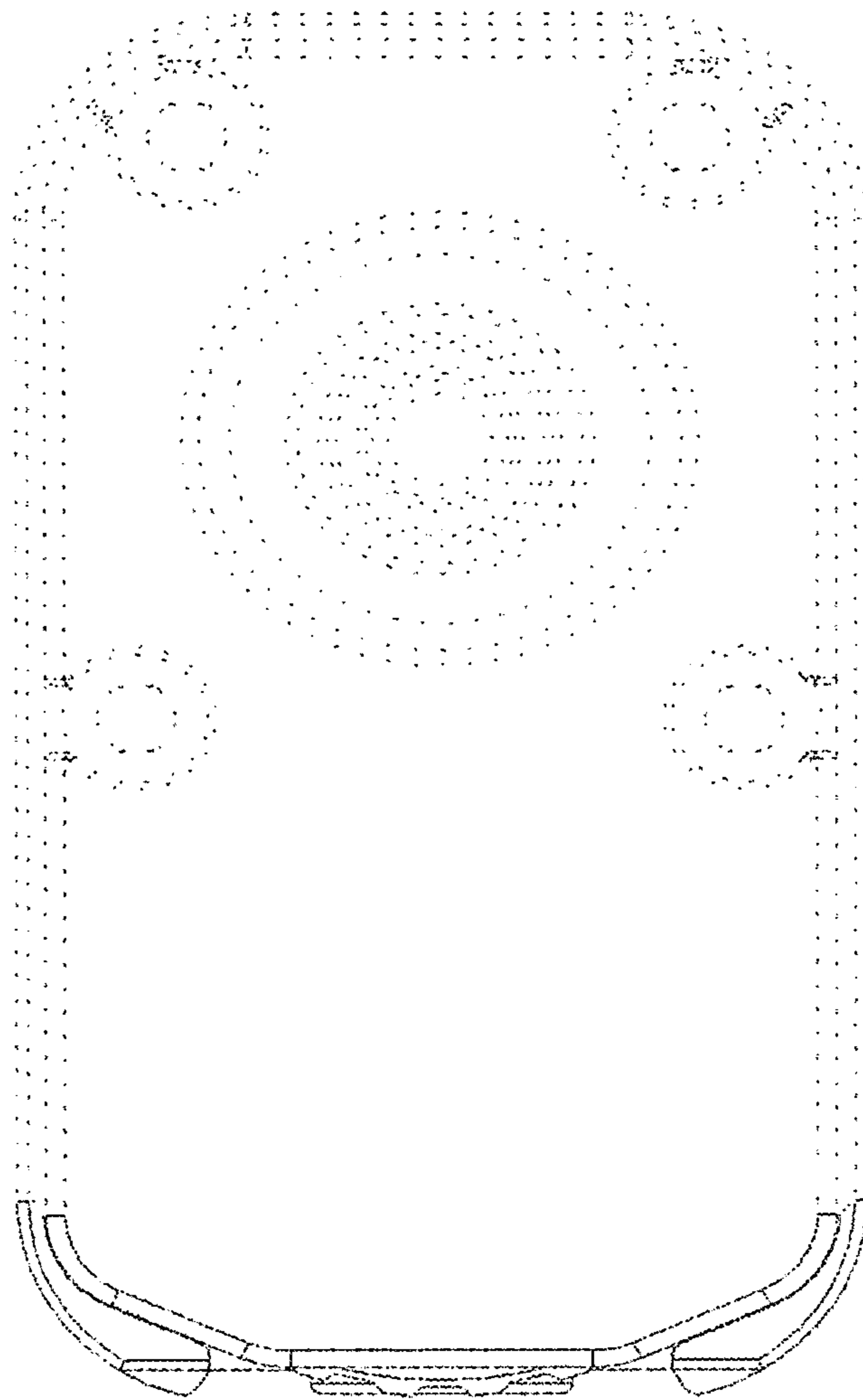


FIG. 4

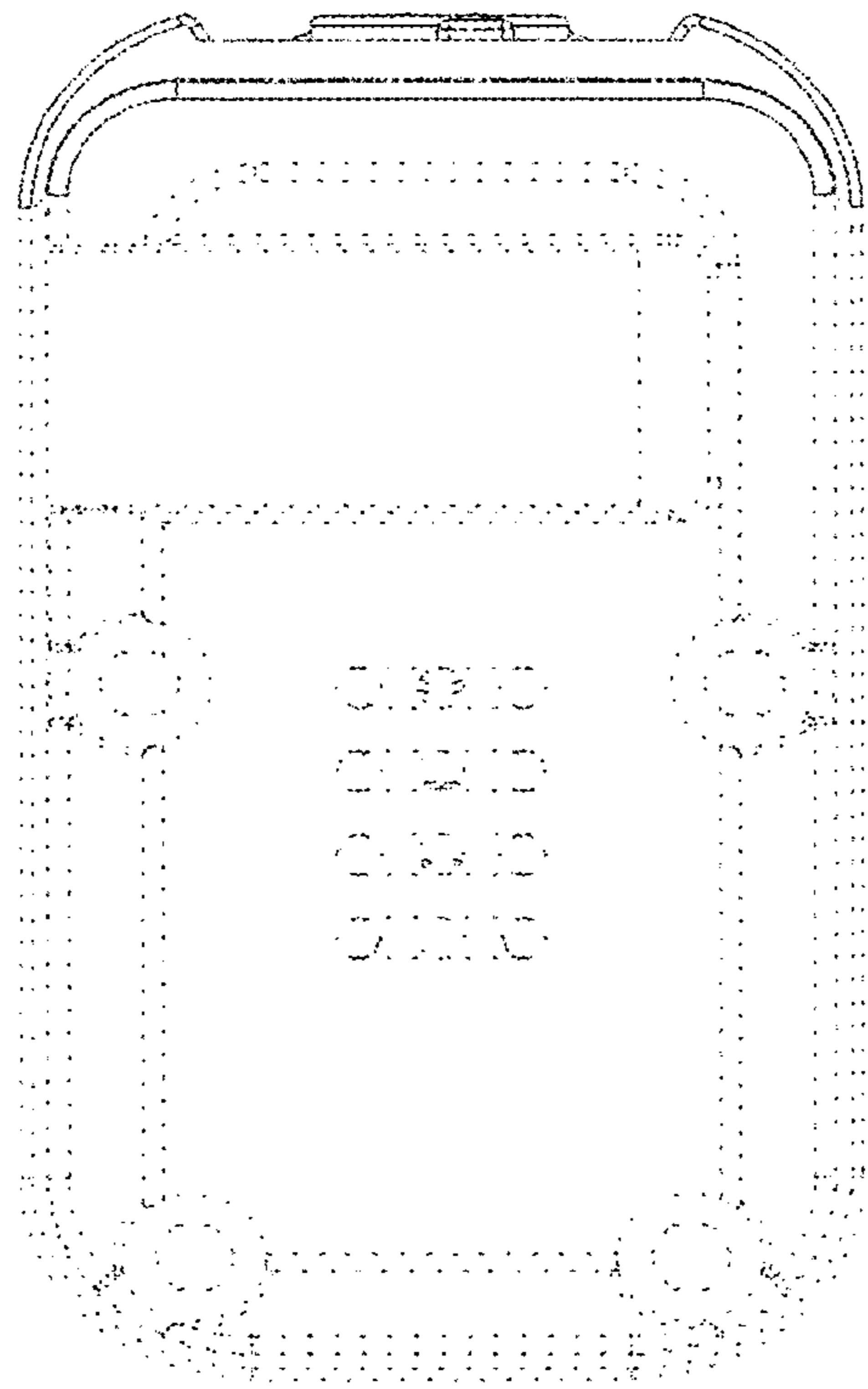


FIG. 5

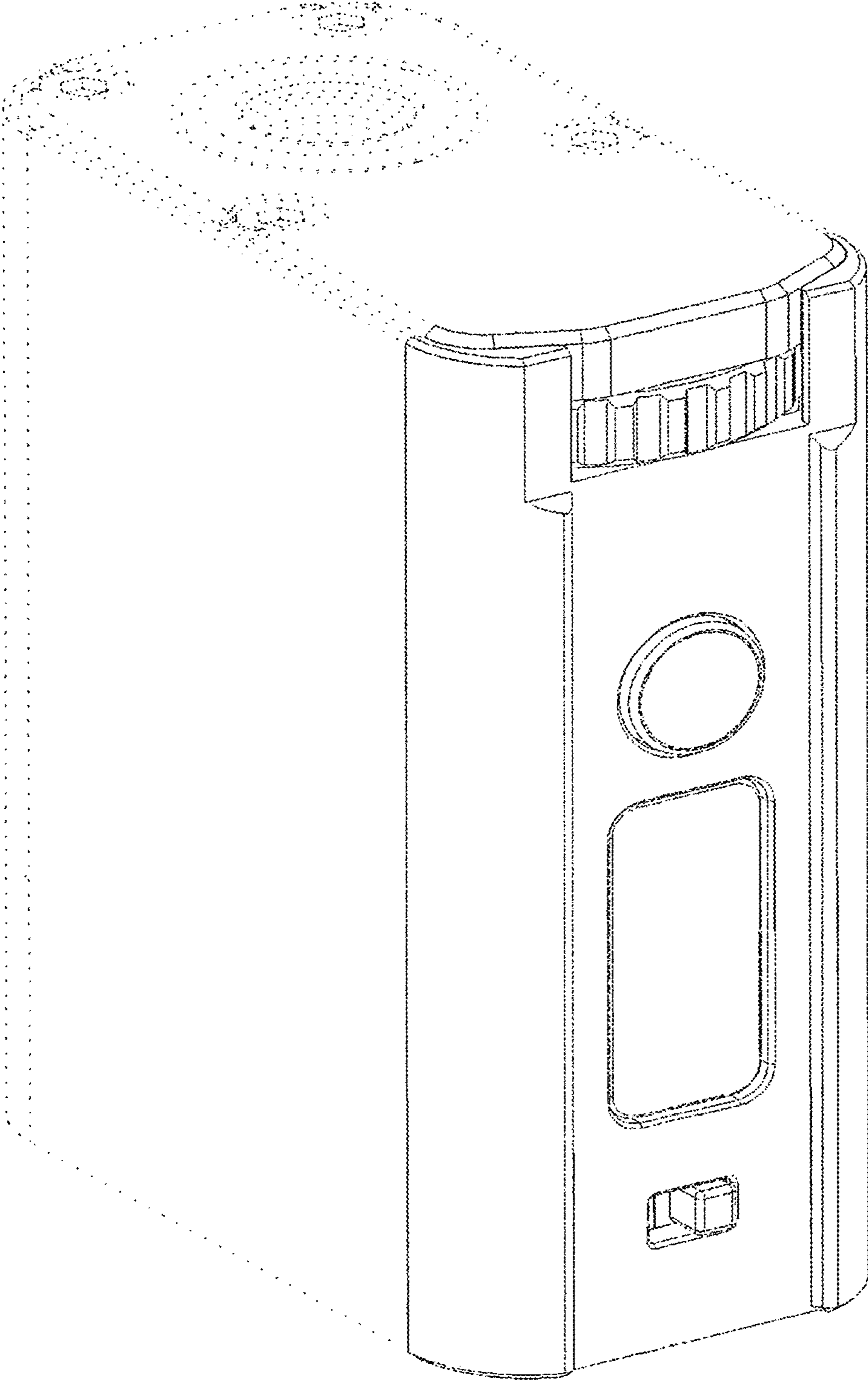


FIG. 6

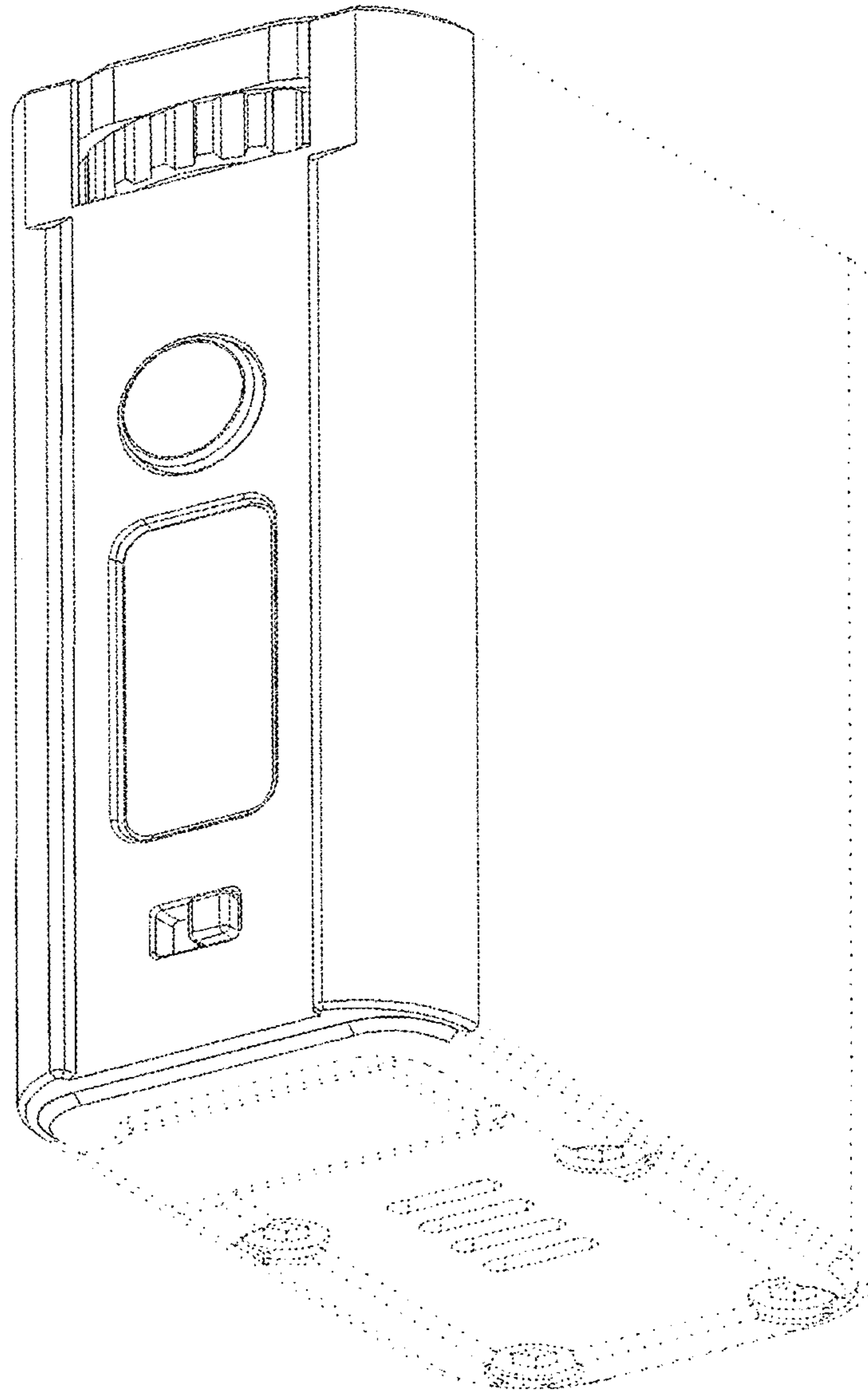


FIG. 7