



US00D785860S

(12) **United States Design Patent** (10) **Patent No.:** **US D785,860 S**
Fischer (45) **Date of Patent:** **** May 2, 2017**

(54) **ASHTRAY INCORPORATING REST AND ASH KNOCKER**

(71) Applicant: **Brett William Fischer**, Lee's Summit, MO (US)

(72) Inventor: **Brett William Fischer**, Lee's Summit, MO (US)

(**) Term: **15 Years**

(21) Appl. No.: **29/562,998**

(22) Filed: **May 1, 2016**

(51) **LOC (10) Cl.** **27-03**

(52) **U.S. Cl.**
USPC **D27/102**

(58) **Field of Classification Search**
USPC D27/102, 104, 118, 126, 110, 111, 129, D27/138

See application file for complete search history.

(56) **References Cited**

U.S. PATENT DOCUMENTS

D68,902 S	*	12/1925	Clarke	D27/128
D70,573 S	*	7/1926	Edgar	131/260
D90,299 S	*	7/1933	Soreng	D27/135
D117,898 S	*	12/1939	Carawan	220/575
D124,603 S	*	1/1941	Frank	131/240.1
D135,598 S	*	4/1943	Penn	131/235.1
D136,574 S	*	10/1943	Penn	D27/129
D160,260 S	*	9/1950	Hanson	D27/125

D179,066 S	*	10/1956	Domberger	D21/393
D191,565 S	*	10/1961	Wolf	131/240.1
D198,614 S	*	7/1964	McDorman	D27/133
D200,456 S	*	2/1965	Christian	D27/133
D203,313 S	*	12/1965	Barlett	D27/135
D207,760 S	*	5/1967	Curran	131/231
D293,485 S	*	12/1987	Lothe	D27/134
D334,246 S	*	3/1993	Baker	D27/129
D357,765 S	*	4/1995	Roden	D27/102
D362,083 S	*	9/1995	Havens	D27/102
8,770,205 B1	*	7/2014	Hopwood	A24F 13/22 131/257
2011/0036362 A1	*	2/2011	Chiu	A24F 19/0035 131/235.1

* cited by examiner

Primary Examiner — Susan Bennett Hattan

Assistant Examiner — Jennifer Wright

(57) **CLAIM**

The ornamental design for an ashtray incorporating rest and ash knocker, as shown and described.

DESCRIPTION

FIG. 1 is a top perspective view of an ashtray incorporating rest and ash knocker;

FIG. 2 is a top plan view of FIG. 1 thereof;

FIG. 3 is a bottom plan view thereof;

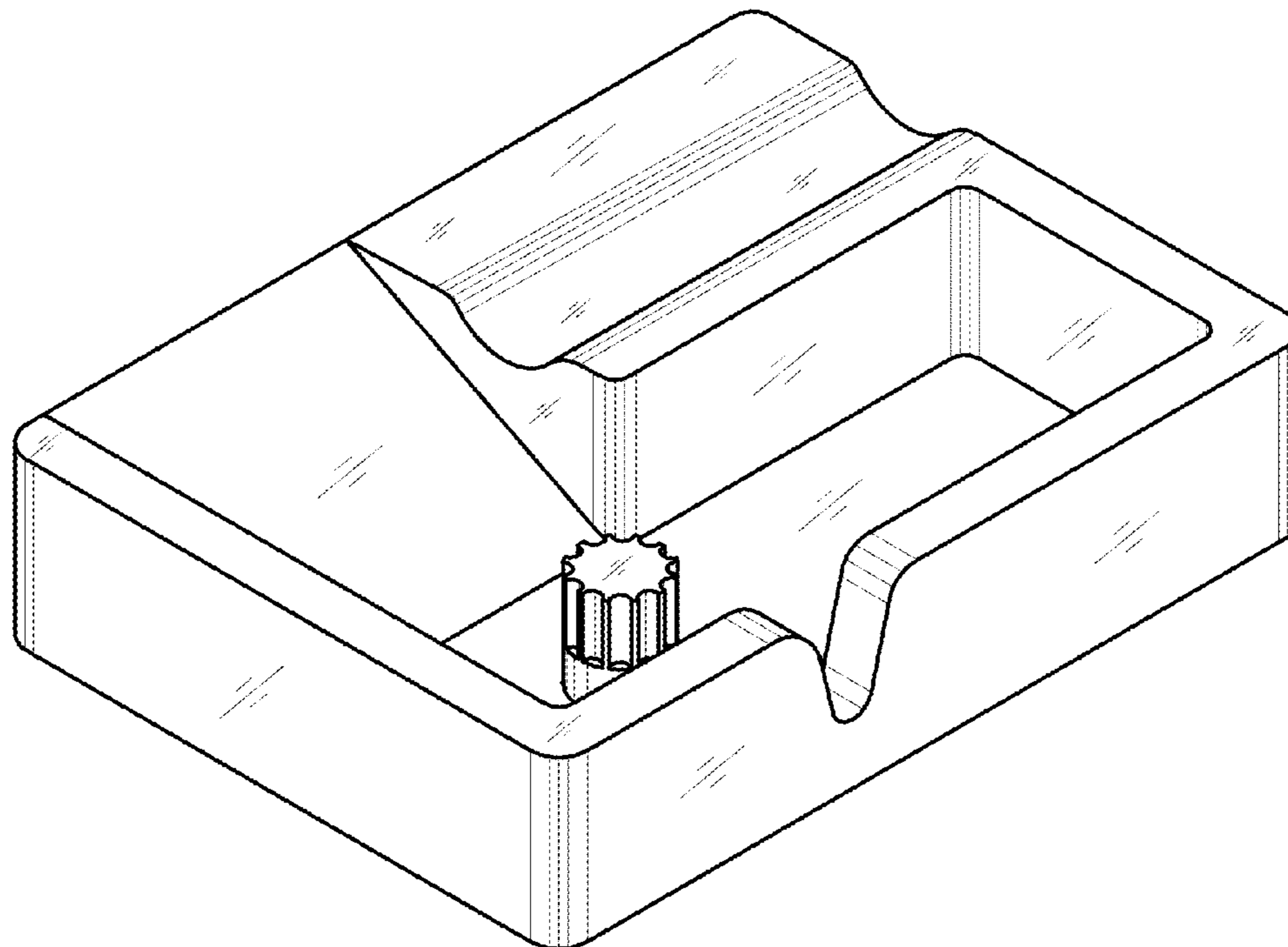
FIG. 4 is a front elevation thereof;

FIG. 5 is a rear elevation thereof;

FIG. 6 is a right elevation view thereof; and,

FIG. 7 is a left elevation view thereof.

1 Claim, 3 Drawing Sheets



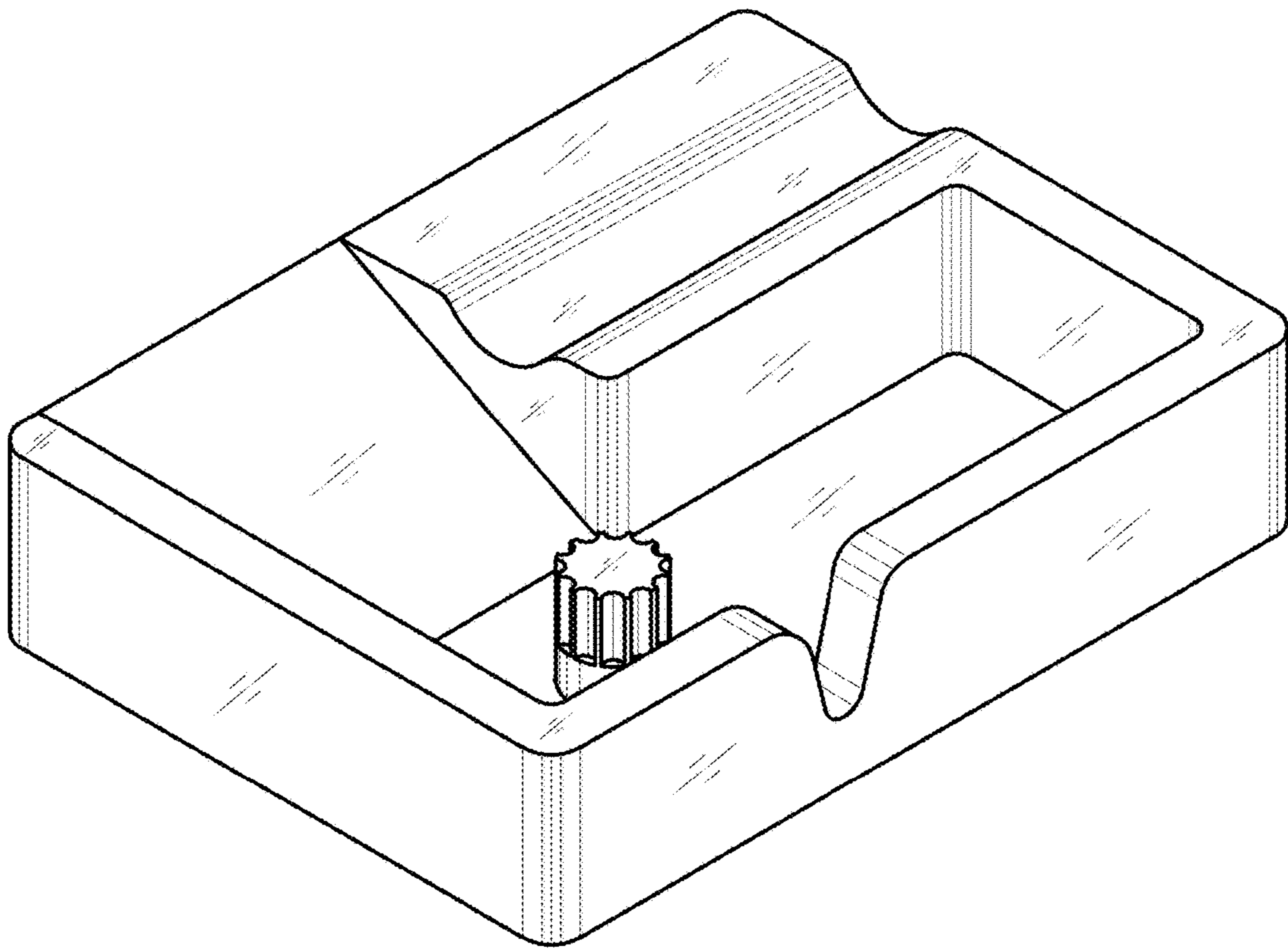


Fig. 1

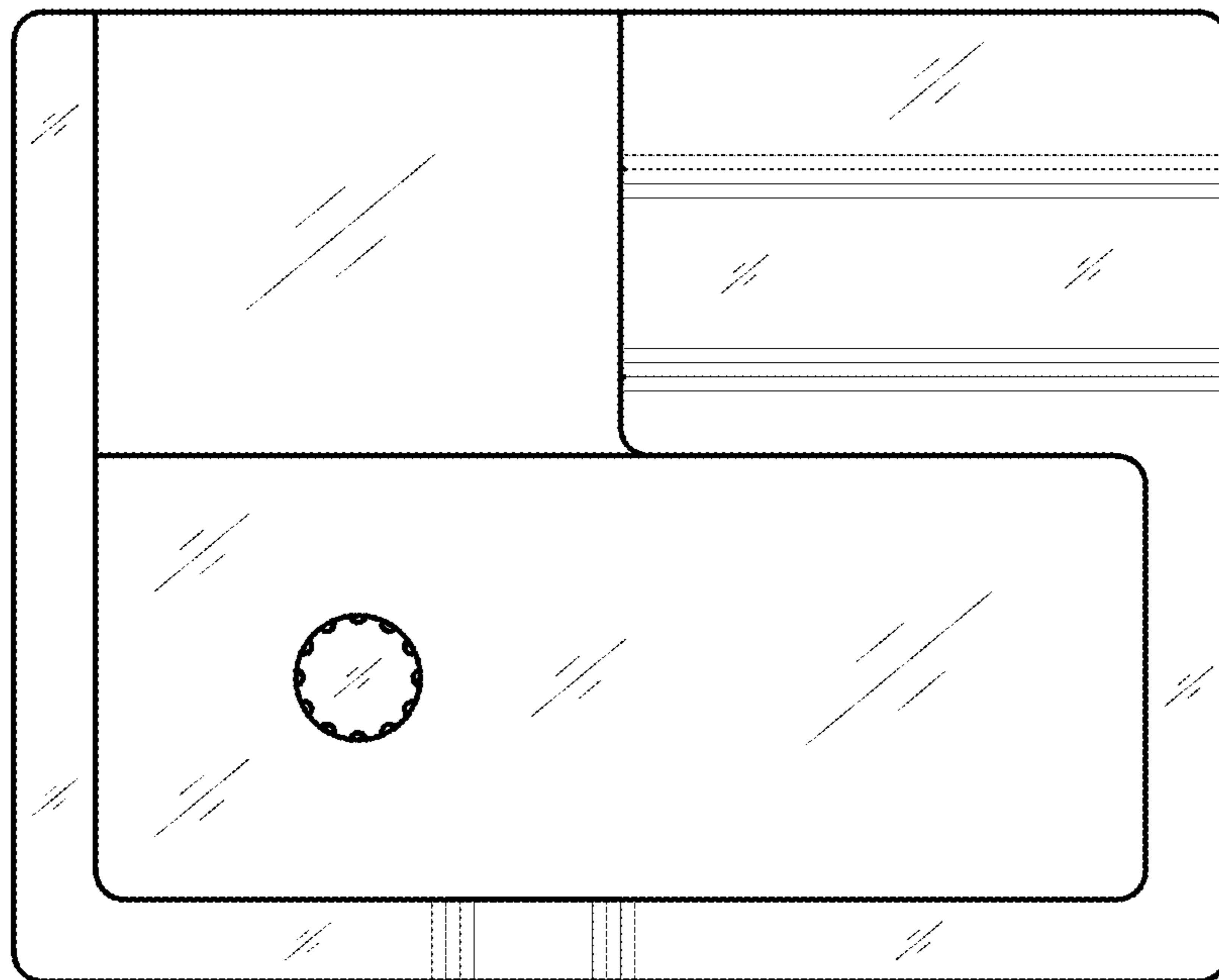


Fig. 2



Fig. 3

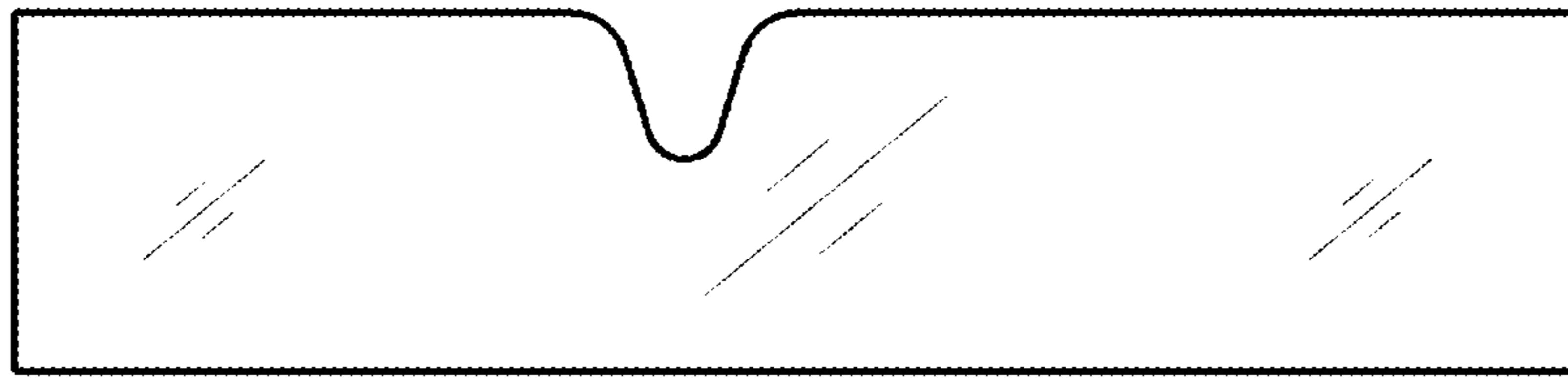


Fig. 4

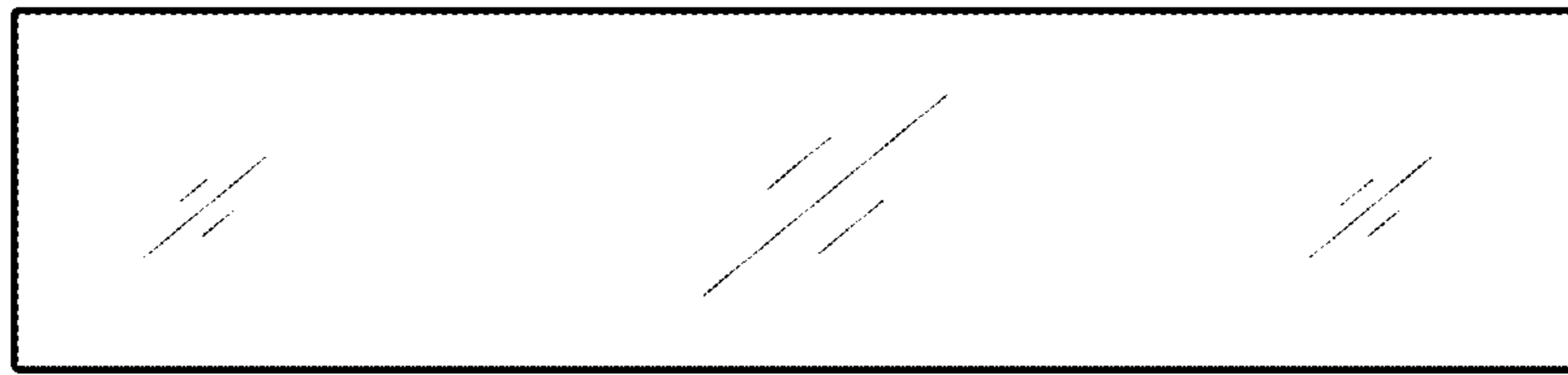


Fig. 5

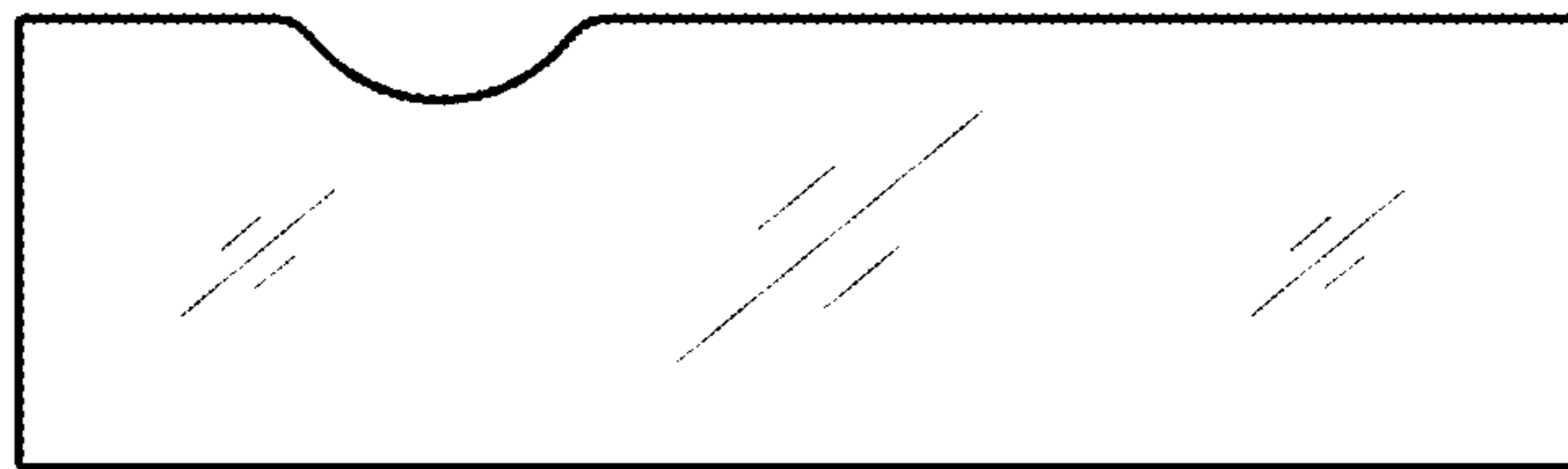


Fig. 6

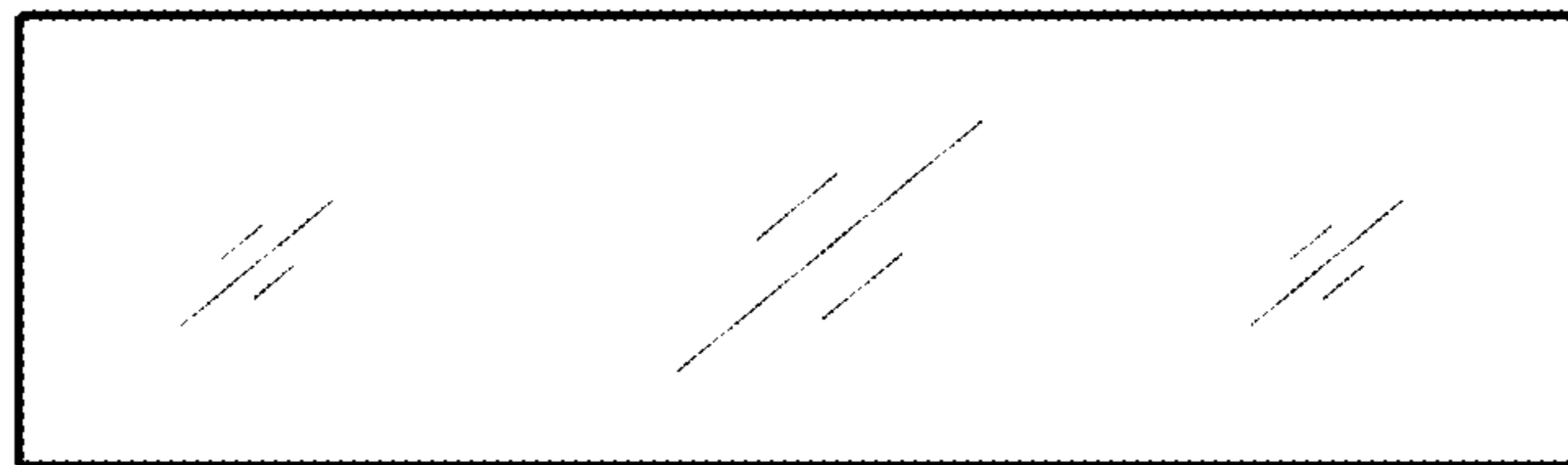


Fig. 7