



US00D785859S

(12) **United States Design Patent** (10) **Patent No.:** **US D785,859 S**
Pang (45) **Date of Patent:** **** May 2, 2017**

(54) **ELECTRONIC CIGARETTE**

(71) Applicants: **Boulder International, Inc.**, Pen Argyl, PA (US); **Zeqi Wang**, Guangdong Province (CN)

(72) Inventor: **Gehui Pang**, Guangdong Province (CN)

(**) Term: **15 Years**

(21) Appl. No.: **29/540,850**

(22) Filed: **Sep. 29, 2015**

(30) **Foreign Application Priority Data**

Apr. 29, 2015 (CN) 2015 3 0120682

(51) **LOC (10) Cl.** **27-01**

(52) **U.S. Cl.**
USPC **D27/101**

(58) **Field of Classification Search**
USPC D27/100, 101, 162, 163-167, 169, 170,
D27/171, 193, 194; D23/202; D13/103
CPC A24F 47/008; A24F 47/002; A24F 15/12;
A24F 47/00
See application file for complete search history.

(56) **References Cited**

U.S. PATENT DOCUMENTS

D644,375 S * 8/2011 Zhou D27/101
D687,181 S * 7/2013 Goch D27/101
D693,053 S * 11/2013 Chen D27/101
D695,450 S * 12/2013 Benassayag D24/110.5
D723,215 S * 2/2015 Chen D27/101
D723,216 S * 2/2015 Chen D27/101
D732,239 S * 6/2015 Chen D27/101

D760,948 S * 7/2016 Eksouzian D27/101
2013/0068239 A1 * 3/2013 Youn A24F 47/008
131/273
2015/0090253 A1 * 4/2015 Farrow A24F 47/008
128/200.14
2015/0114406 A1 * 4/2015 Newton A24F 47/002
131/329
2015/0181944 A1 * 7/2015 Li A24F 47/008
131/329
2015/0342258 A1 * 12/2015 Chen H05B 3/06
131/329

* cited by examiner

Primary Examiner — Robert M Spear

Assistant Examiner — Marissa J Cash

(74) *Attorney, Agent, or Firm* — Prakash Nama; Global IP Services, PLLC

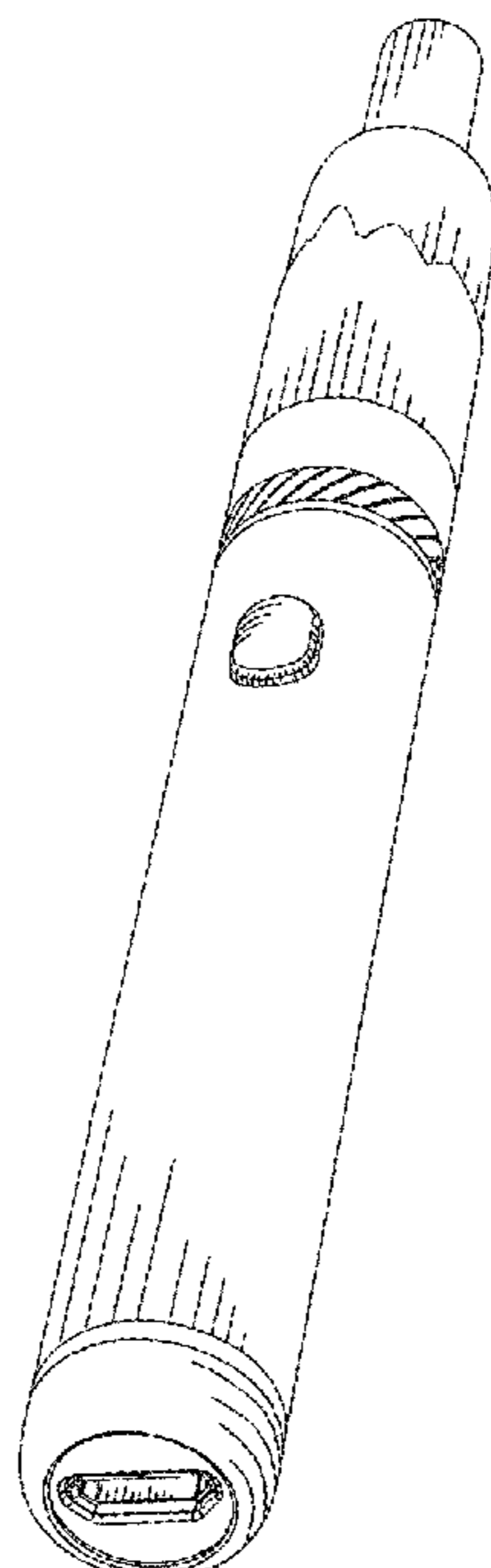
(57) **CLAIM**

The ornamental design for an electronic cigarette, as shown.

DESCRIPTION

FIG. 1 is a front elevational view of an electronic cigarette showing my new design;
FIG. 2 is a rear elevational view thereof;
FIG. 3 is a left side view thereof;
FIG. 4 is a right side view thereof;
FIG. 5 is atop plan view thereof;
FIG. 6 is a bottom plan view thereof;
FIG. 7 is a top front perspective view thereof;
FIG. 8 is a bottom front perspective view thereof; and,
FIG. 9 is a rear perspective view thereof.

1 Claim, 5 Drawing Sheets



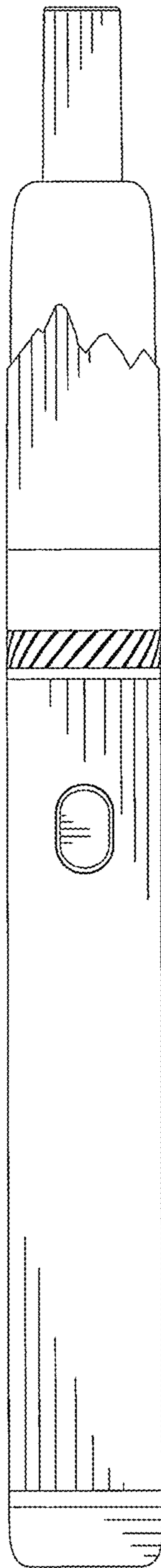


FIG. 1

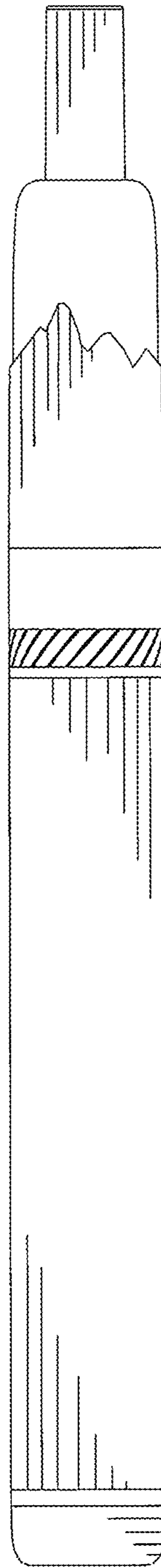


FIG. 2

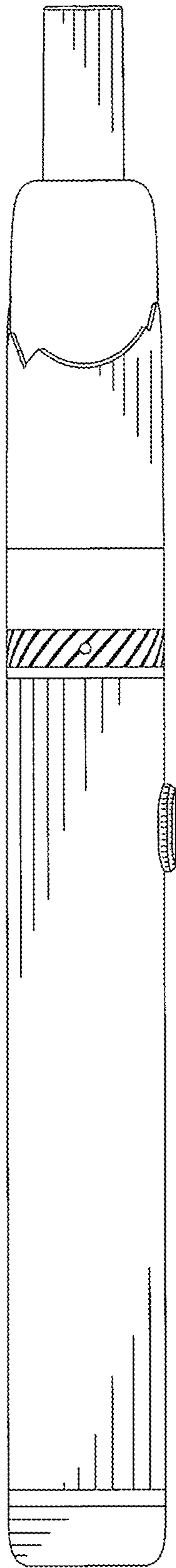


FIG. 3

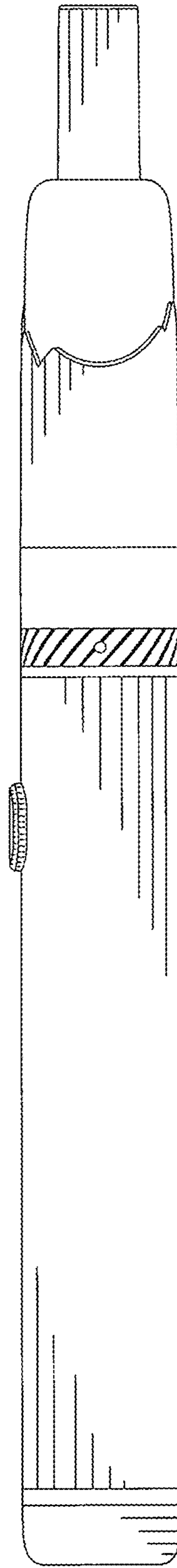


FIG. 4

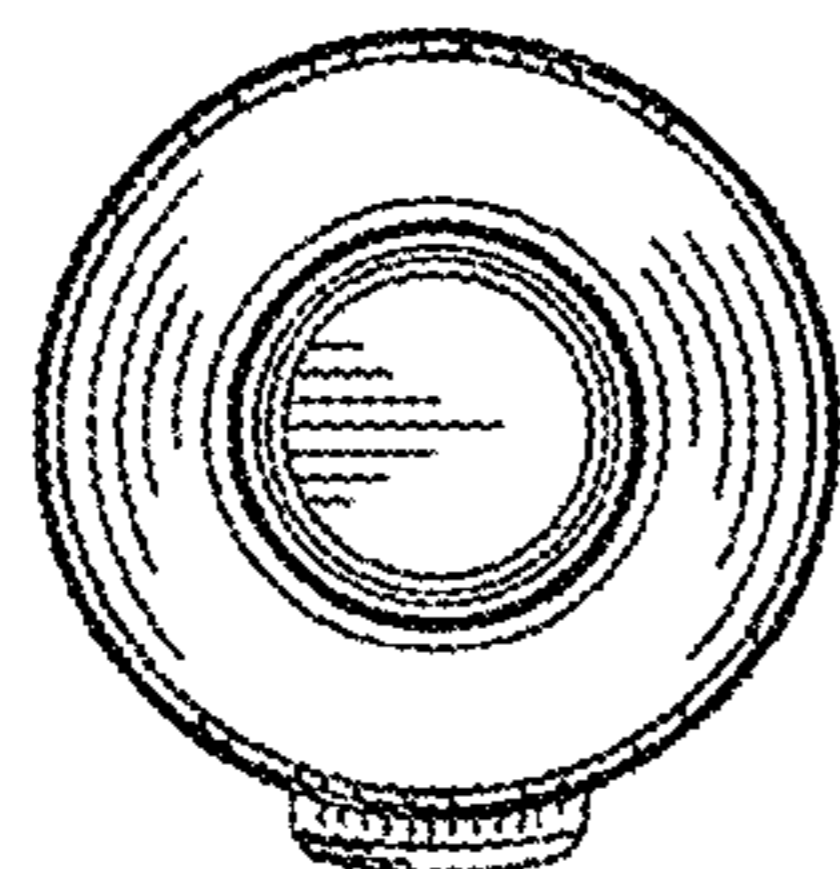


FIG. 5

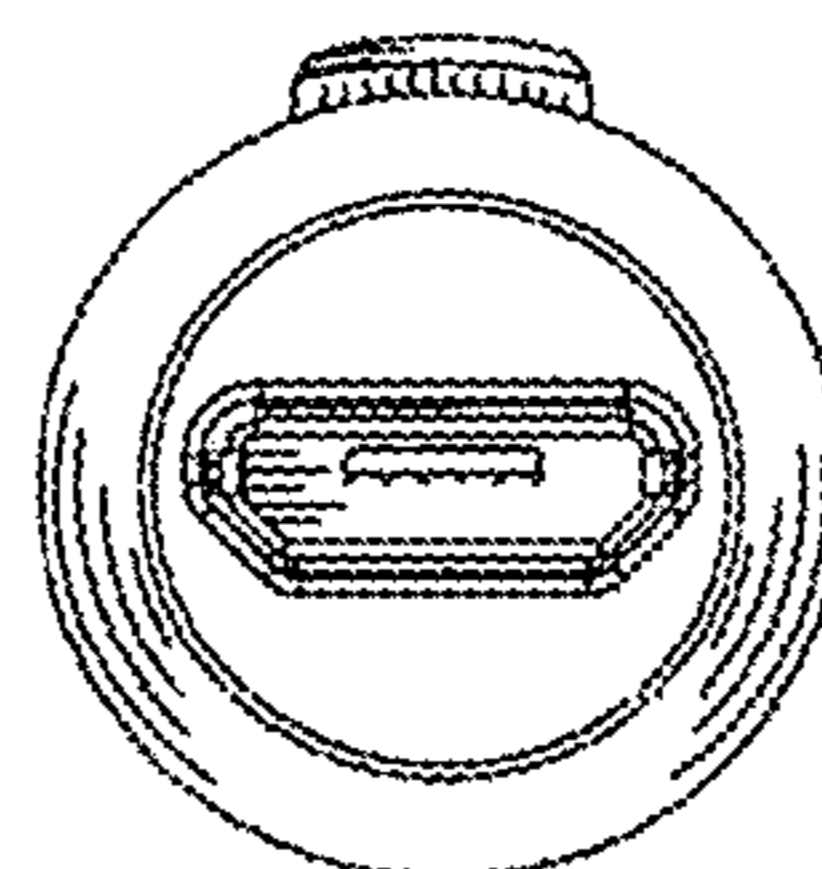


FIG. 6

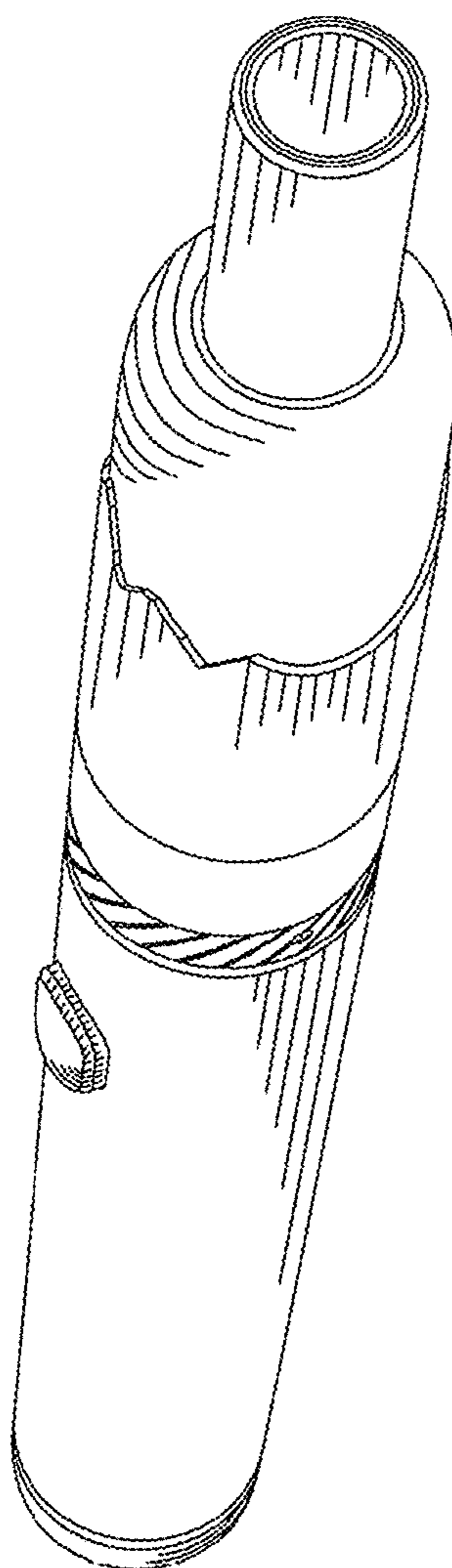


FIG. 7

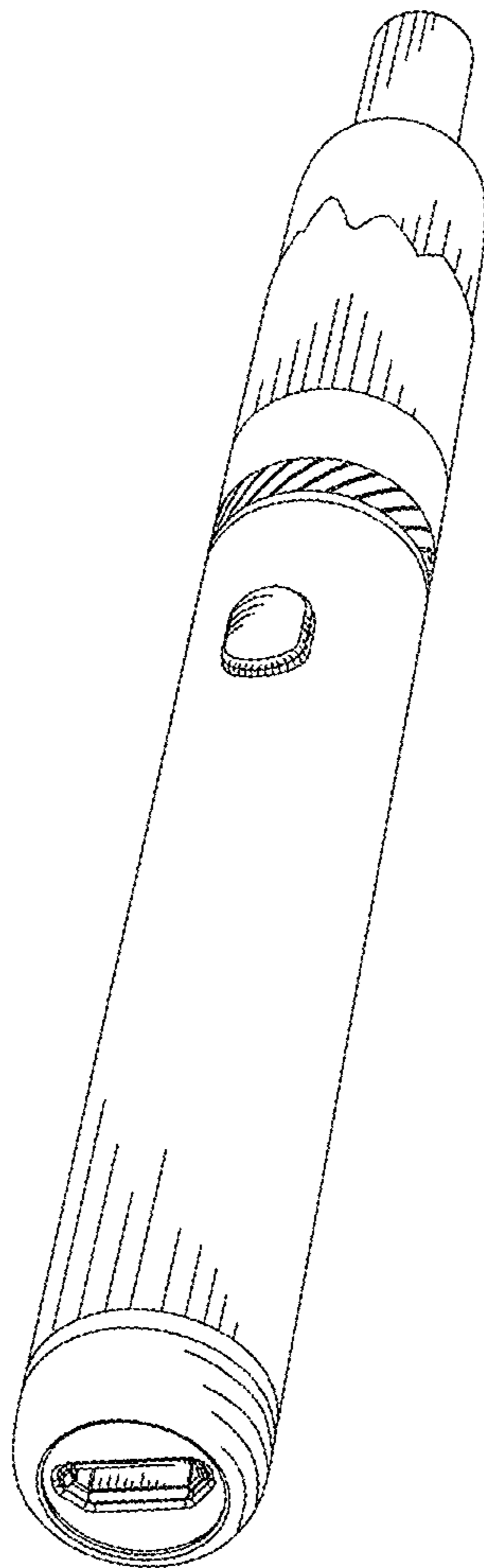


FIG. 8

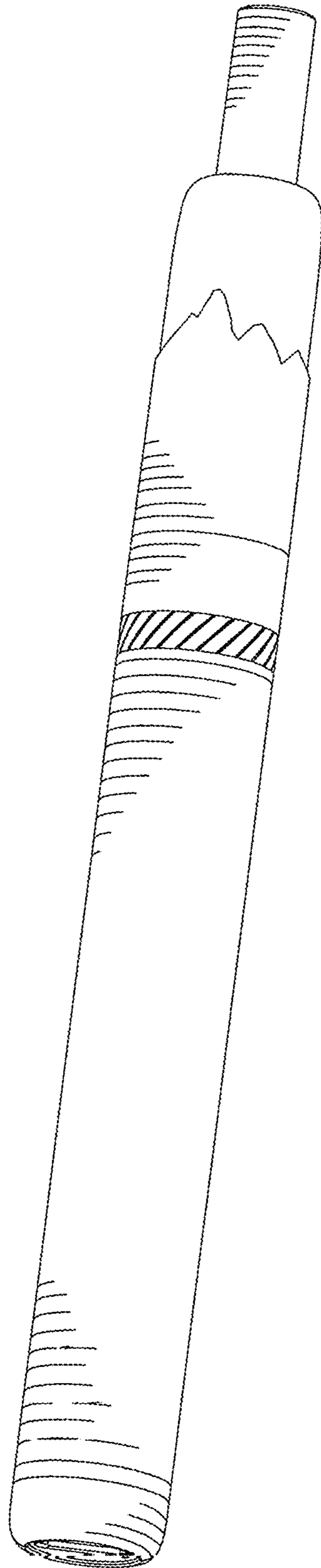


FIG. 9