



US00D785858S

(12) **United States Design Patent** (10) **Patent No.:** **US D785,858 S**
Temporao et al. (45) **Date of Patent:** **** May 2, 2017**

- (54) **BULB HOLDER**
- (71) Applicant: **Intelligent Lighting Technologies Inc.,**
Sault Ste Marie (CA)
- (72) Inventors: **Joseph Antonio Jose Temporao,** Sault Ste Marie (CA); **David Michael Byron,** Sault Ste Marie (CA)
- (73) Assignee: **Intelligent Lighting Technologies Inc.,** Sault Ste Marie, Ontario (CA)
- (**) Term: **15 Years**
- (21) Appl. No.: **29/545,315**
- (22) Filed: **Nov. 11, 2015**
- (51) **LOC (10) Cl.** **26-99**
- (52) **U.S. Cl.**
USPC **D26/142**
- (58) **Field of Classification Search**
USPC D26/2, 28, 72, 89, 113, 118, 119, 120,
D26/122, 124, 128, 138, 142, 143, 145,
D26/60; D13/180
CPC F41C 27/00; F41C 33/0254; G02B 5/045;
G02B 5/189; F21S 8/00; F21S 8/03;
F21S 8/026; F21S 8/02; F21S 8/003;
F21S 8/043; F21S 8/06; F21S 8/04; F21V
7/005; F21V 15/01; F21V 15/04; F21V
25/00; G02F 2001/133607; F21Y 2103/00
See application file for complete search history.

- (56) **References Cited**
U.S. PATENT DOCUMENTS
D378,145 S * 2/1997 Cohon D26/141
D470,967 S * 2/2003 Rose D26/81
D578,250 S * 10/2008 Conroy D26/138
D600,200 S * 9/2009 Dimov D13/102

- D600,637 S * 9/2009 Fowler D13/102
- D602,197 S * 10/2009 Dunn D26/141
- D652,565 S * 1/2012 McKenna D26/118
- D674,338 S * 1/2013 Au Yeung D13/108
- D686,980 S * 7/2013 Fallon D13/102
- D759,269 S * 6/2016 Lai D26/2
- 2005/0099810 A1 * 5/2005 Tasson B60Q 1/2607
362/249.07
- 2009/0237927 A1 * 9/2009 Zheng F21S 2/005
362/235
- 2009/0237934 A1 * 9/2009 Zeng F21V 21/30
362/249.03
- 2010/0246194 A1 * 9/2010 Nankil F21S 2/00
362/368
- 2012/0140455 A1 * 6/2012 Chang F21L 2/00
362/183

* cited by examiner

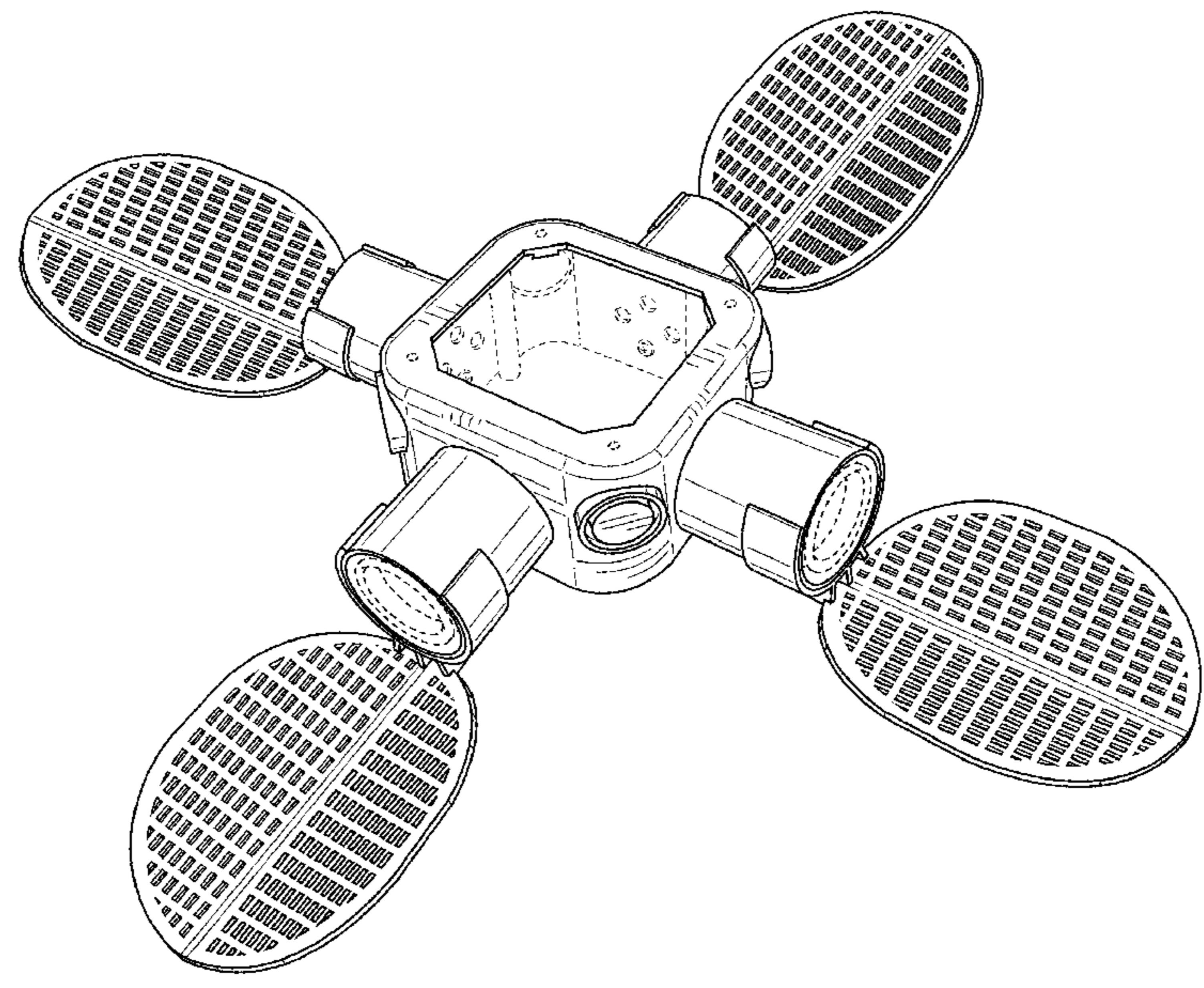
Primary Examiner — Rosemary K Tarcza
Assistant Examiner — Sanjeev Paul
(74) *Attorney, Agent, or Firm* — Norton Rose Fulbright
Canada LLP

(57) **CLAIM**
The ornamental design for a bulb holder, as shown and described.

DESCRIPTION

FIG. 1 is a perspective view of a bulb holder showing our new design;
FIG. 2 is a front view thereof, and the back, left and right views are identical to the front view;
FIG. 3 is a top view thereof; and,
FIG. 4 is a bottom view thereof.
The broken lines shown in the drawings are included for the purpose of illustrating portions of the bulb holder that form no part of the claimed design.

1 Claim, 4 Drawing Sheets



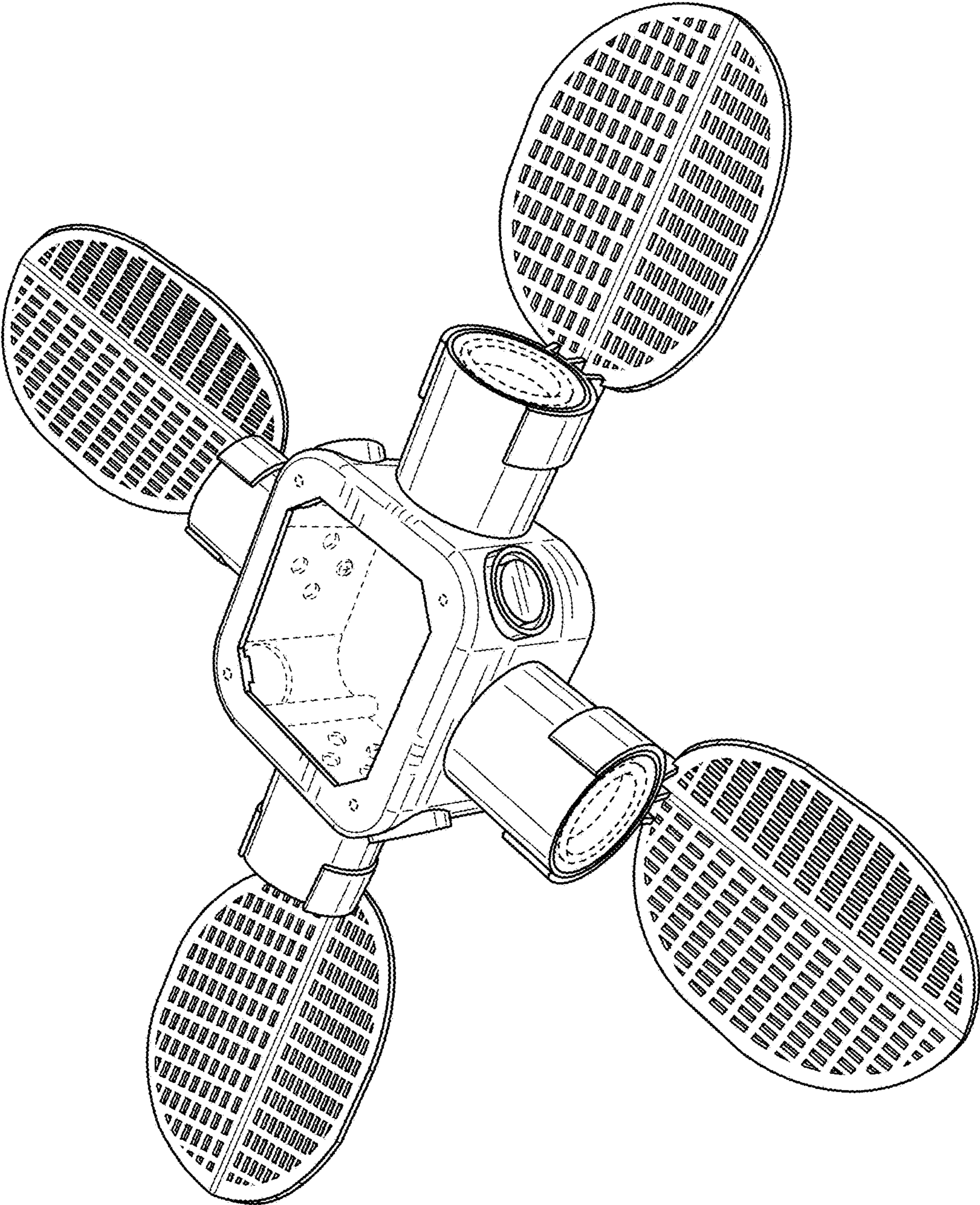


FIG. 1

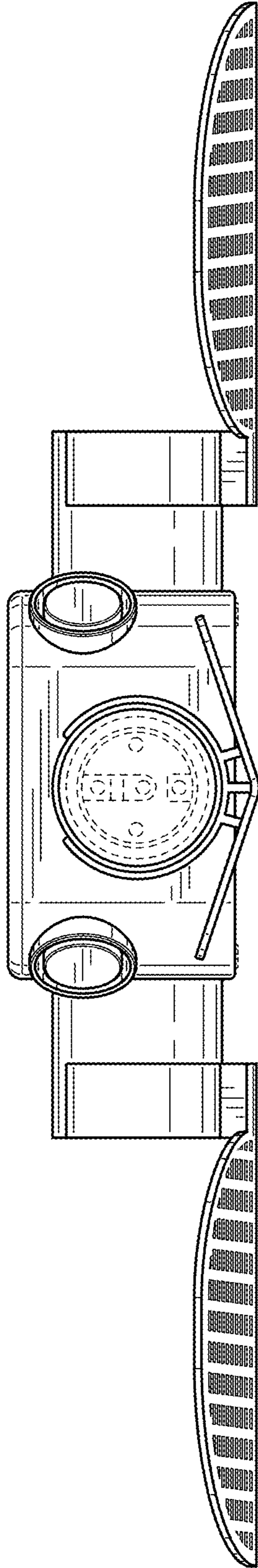


FIG. 2

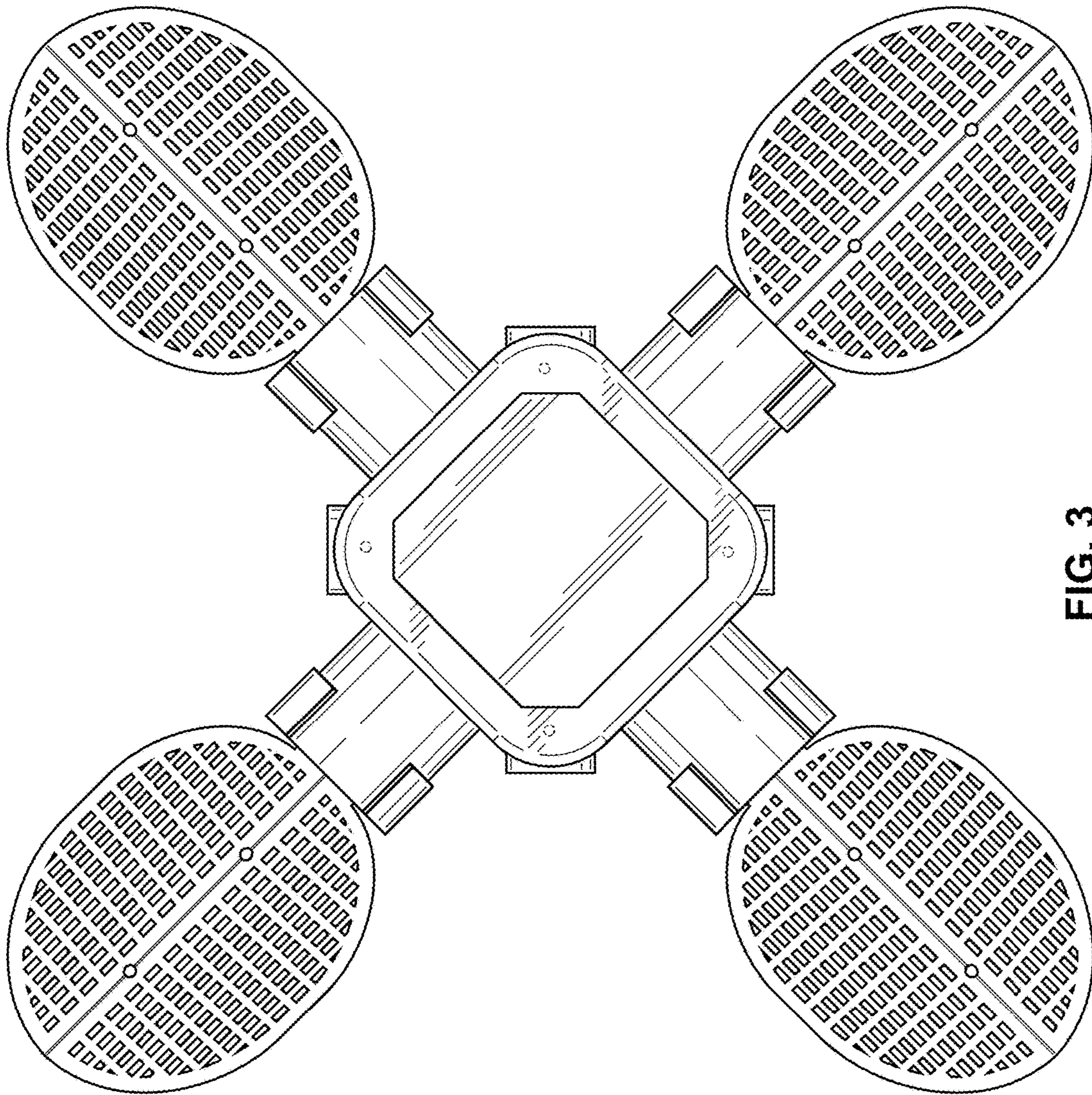


FIG. 3

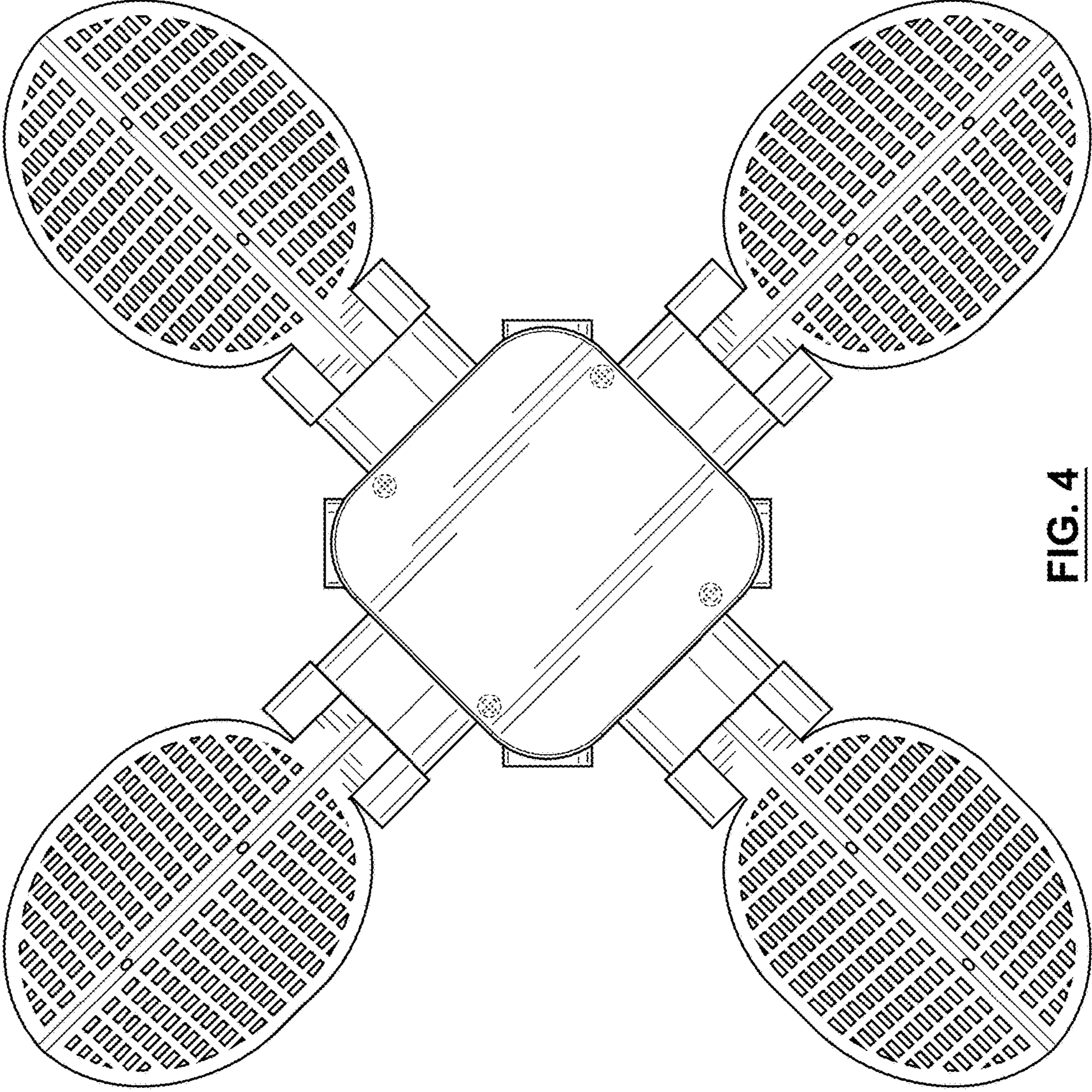


FIG. 4