



US00D785855S

(12) **United States Design Patent** (10) **Patent No.:** **US D785,855 S**  
**Svensson et al.** (45) **Date of Patent:** **\*\* May 2, 2017**

(54) **VEHICLE FOG LAMP BEZEL**

D604,893 S \* 11/2009 Woolley ..... D26/139  
D653,389 S \* 1/2012 Xu ..... D26/139  
D668,381 S 10/2012 Hamilton et al.

(71) Applicant: **Ford Global Technologies, LLC,**  
Dearborn, MI (US)

(72) Inventors: **Christopher Svensson,** Chelmsford  
(GB); **Craig S. Metros,** Bloomfield, MI  
(US); **Darrell Paul Behmer,** Novi, MI  
(US); **Eric Stoddard,** Birmingham, MI  
(US)

(73) Assignee: **Ford Global Technologies, LLC,**  
Dearborn, MI (US)

(\*\*) Term: **15 Years**

(21) Appl. No.: **29/549,408**

(22) Filed: **Dec. 22, 2015**

(51) **LOC (10) Cl.** ..... **26-99**

(52) **U.S. Cl.**  
USPC ..... **D26/139**

(58) **Field of Classification Search**  
USPC ..... D26/28-36, 139; 362/80-83, 267-269,  
362/459-468, 475-478, 485-487  
CPC .... B60Q 1/04; B60Q 1/26; F21S 48/00; F21S  
48/10; F21S 48/115; F21S 48/225; F21S  
48/1233; F21S 48/1266; F21S 48/1388;  
F21S 48/2268; F21V 21/04; F21V 37/002  
See application file for complete search history.

(56) **References Cited**

**U.S. PATENT DOCUMENTS**

D302,335 S \* 7/1989 Smith ..... D26/139  
D421,817 S \* 3/2000 Tucker ..... D26/139  
D571,500 S \* 6/2008 Lin ..... D26/139

**OTHER PUBLICATIONS**

Josh Sadlier, 2017 Ford Fusion Teased in New Photos, <http://www.autotrader.com/car-news/2017-ford-fusion-teased-in-new-photos-238624> Apr. 2015.  
Ciprian Florea, 2017 Ford Fusion St, <http://www.topspeed.com/cars/ford/2017-ford-fusion-st-ar171128.html> Sep. 6, 2015.  
Michael Gauthier, 2017 Ford Fusion Facelift Spied in Michigan, <http://www.motor1.com/spy/59710/2017-ford-fusion-facelift-spied-in-michigan> Nov. 19, 2015.

\* cited by examiner

*Primary Examiner* — Marcus Jackson

(74) *Attorney, Agent, or Firm* — Damian Porcari

(57) **CLAIM**

The ornamental design for a vehicle fog lamp bezel, as shown and described.

**DESCRIPTION**

FIG. 1 is a top front perspective view of a left vehicle fog lamp bezel. The novel design also includes an embodiment of a right vehicle fog lamp bezel which is mirror symmetrical to the embodiment of FIGS. 1-9, and is therefore not separately illustrated.

FIG. 2 is a bottom front perspective view thereof;

FIG. 3 is a top rear perspective view thereof;

FIG. 4 is a front elevational view thereof;

FIG. 5 is a rear elevational view thereof;

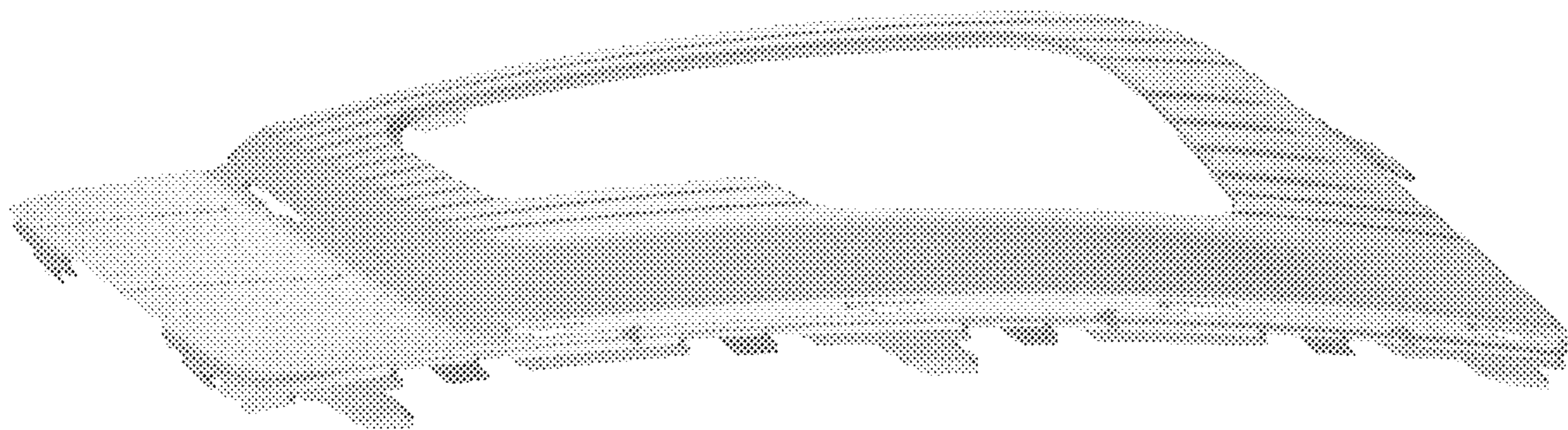
FIG. 6 is a left side elevational view thereof;

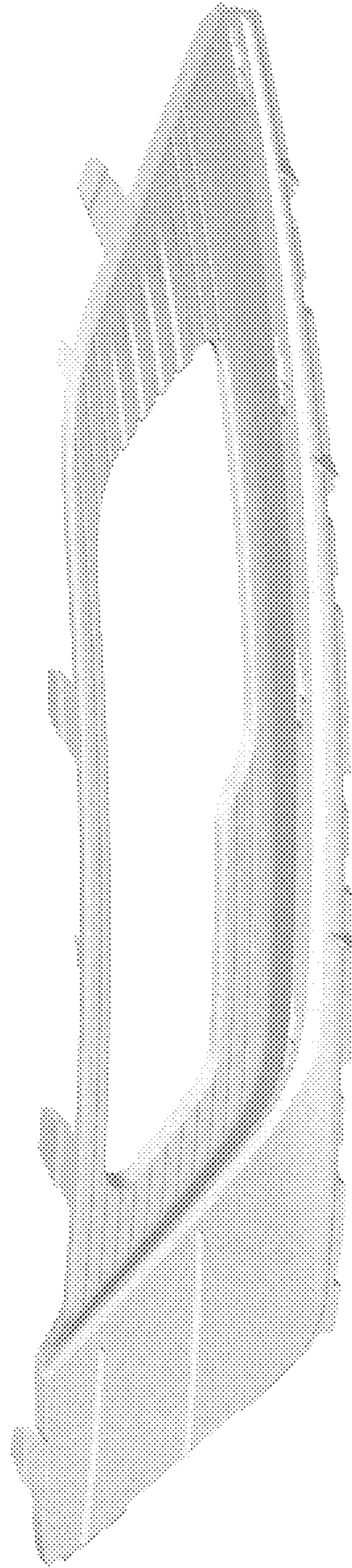
FIG. 7 is a right side elevational view thereof;

FIG. 8 is a top plan view thereof; and,

FIG. 9 is a bottom plan view thereof.

**1 Claim, 9 Drawing Sheets**





*Figure 1*

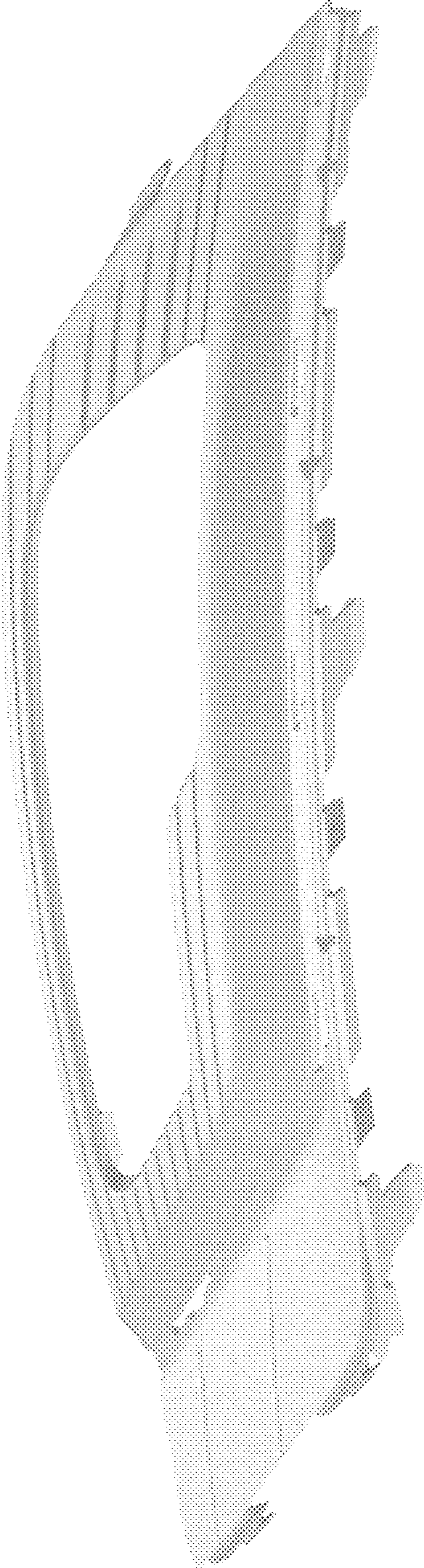


Figure 2

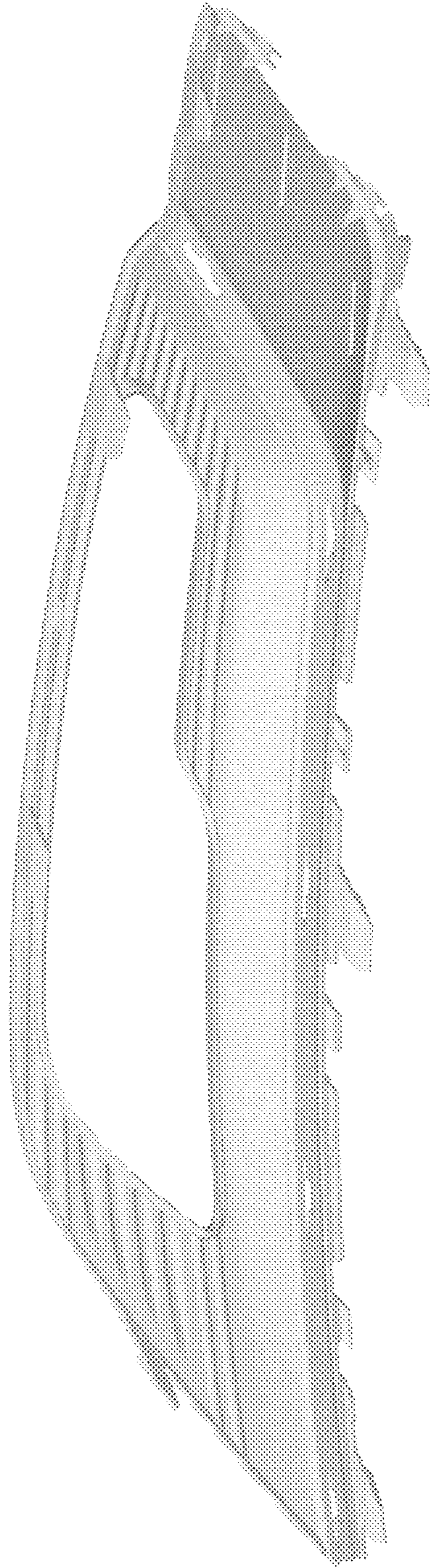


Figure 3

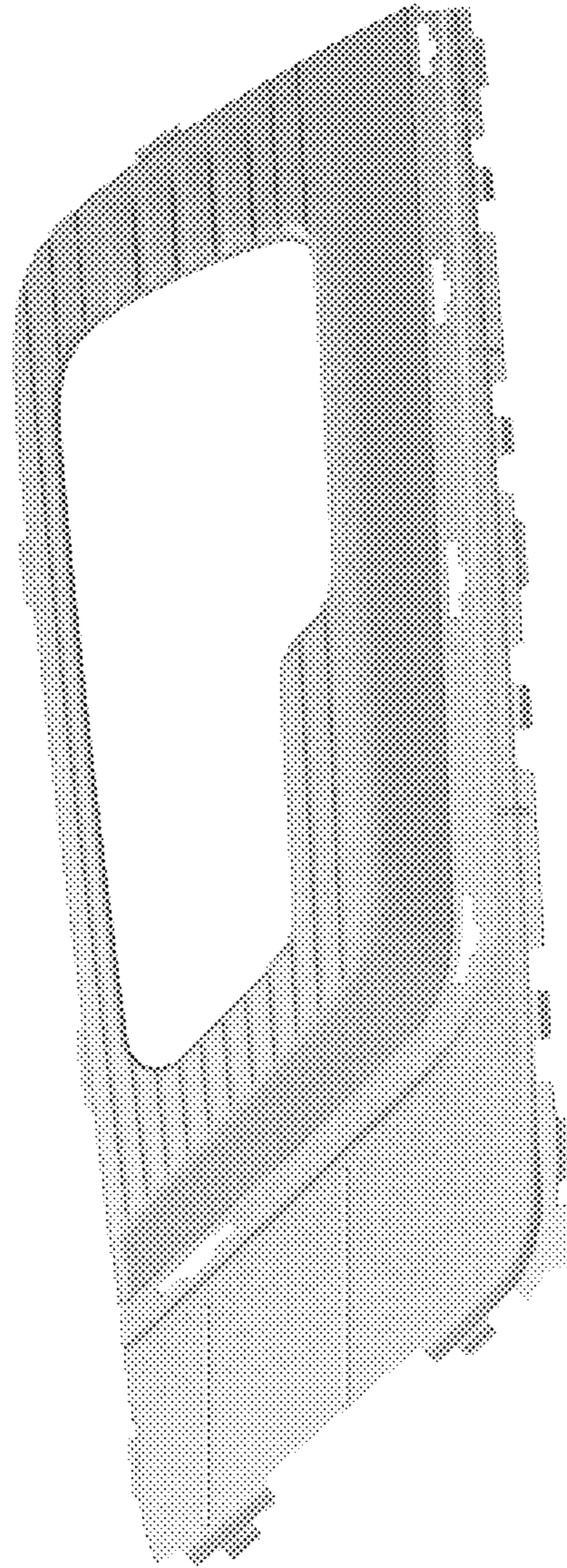


Figure 4

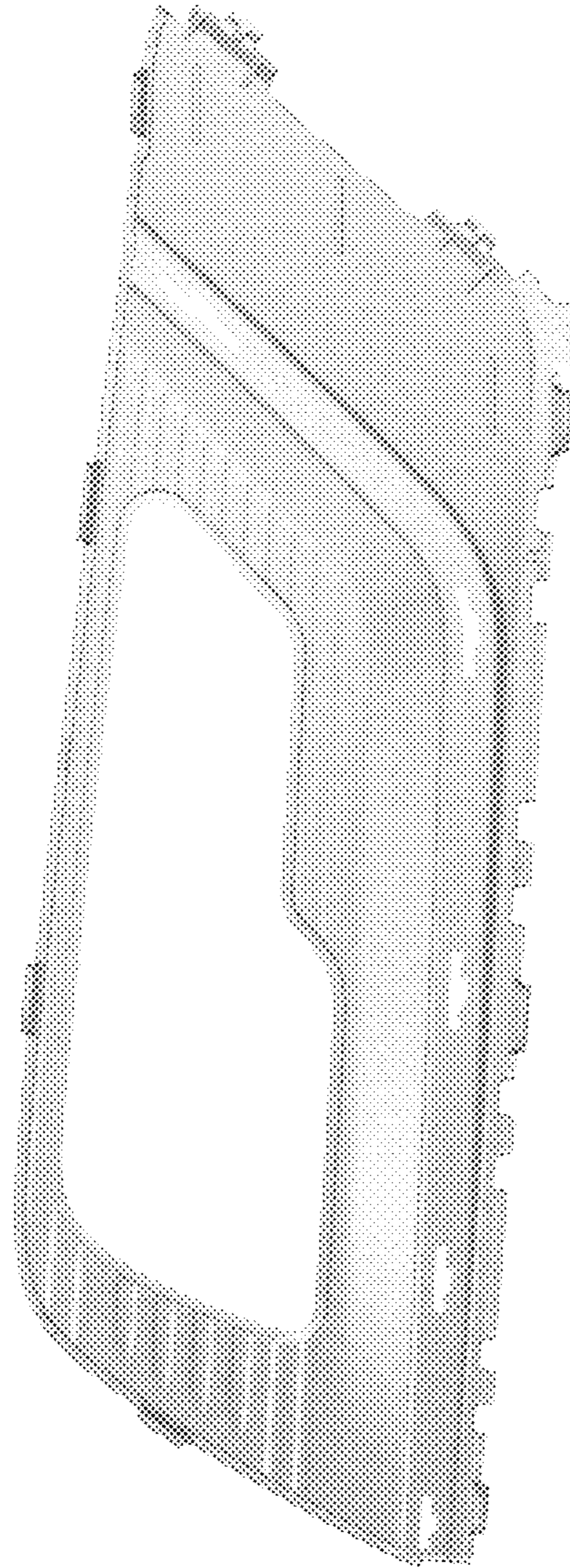


Figure 5

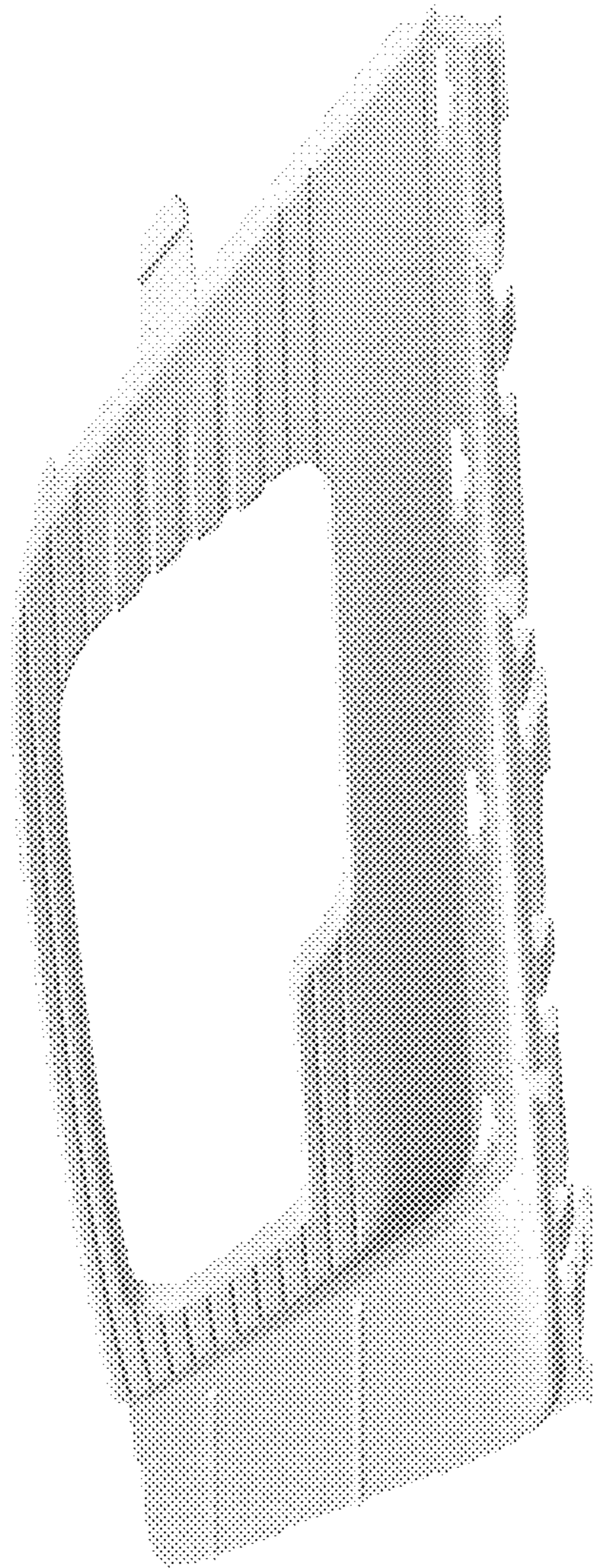


Figure 6

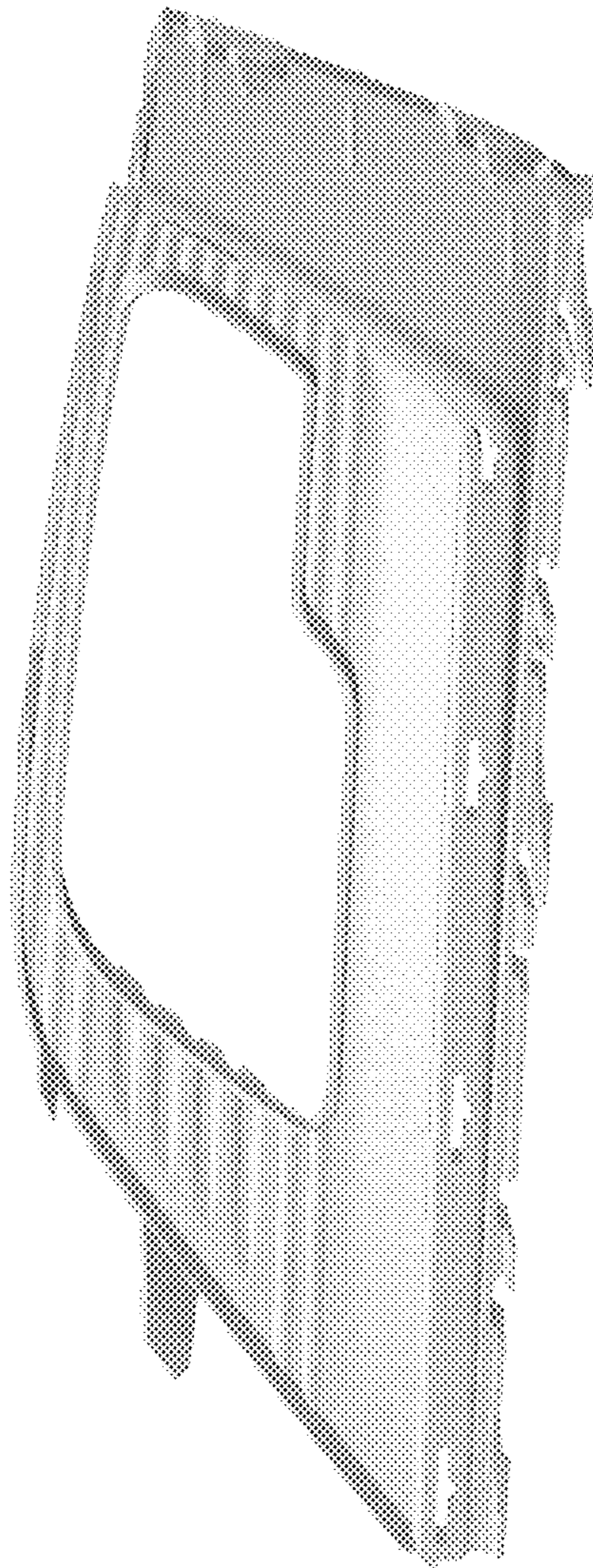


Figure 7



Figure 8

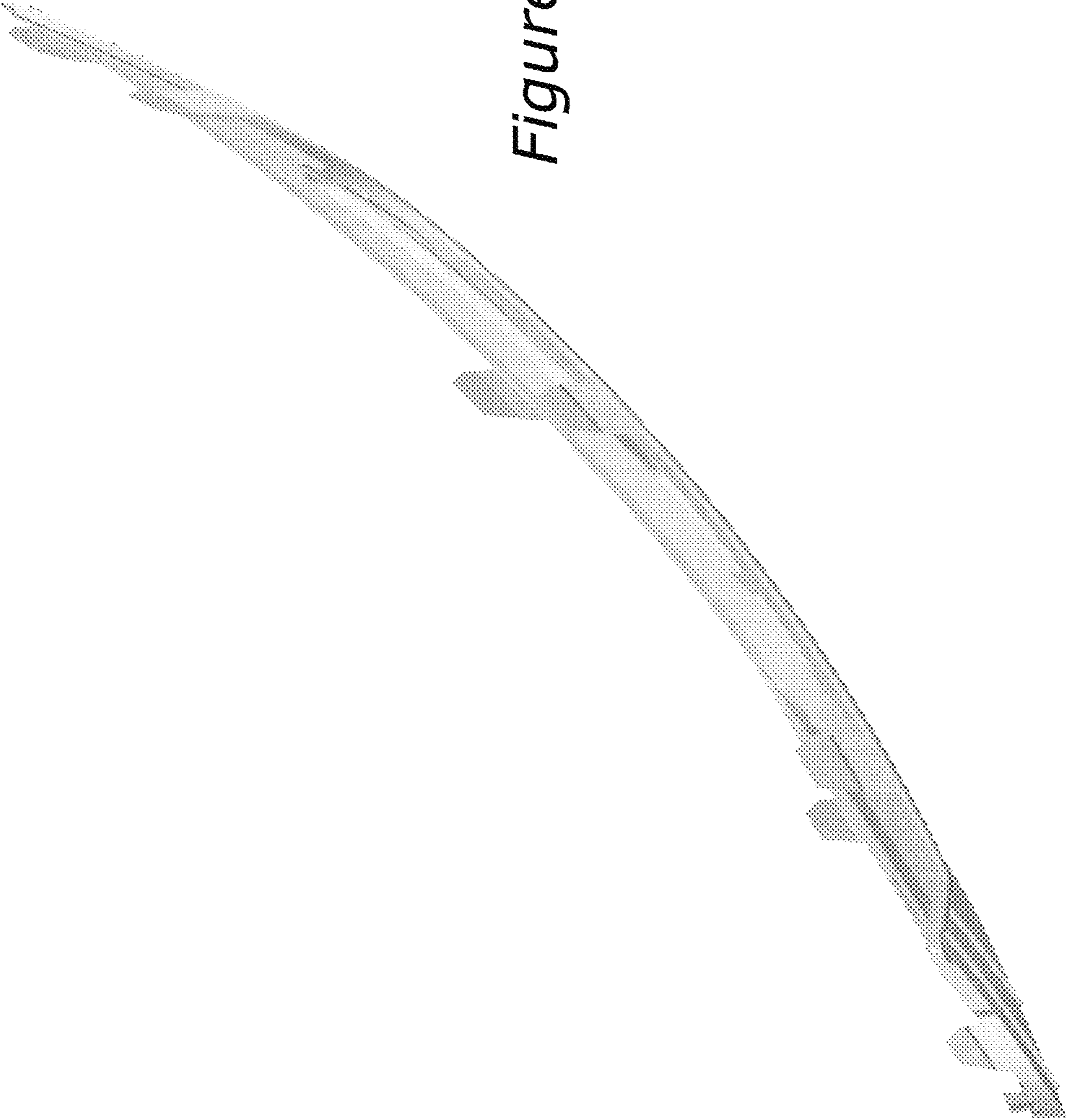


Figure 9

