



US00D785854S

(12) **United States Design Patent** (10) **Patent No.:** **US D785,854 S**
DeBellis (45) **Date of Patent:** **** May 2, 2017**

(54) **CONCENTRIC MOUNTING PLATE FOR LIGHT FIXTURES**

(71) Applicant: **Thomas M. DeBellis**, Lake Elsinore, CA (US)

(72) Inventor: **Thomas M. DeBellis**, Lake Elsinore, CA (US)

(**) Term: **15 Years**

(21) Appl. No.: **29/548,569**

(22) Filed: **Dec. 15, 2015**

(51) **LOC (10) Cl.** **26-99**

(52) **U.S. Cl.**
USPC **D26/138**

(58) **Field of Classification Search**
USPC D26/76, 78, 79, 80, 81, 82, 83, 85, 88, D26/90, 93, 110, 113, 118, 119, 120, 121, D26/122, 138, 140-142
CPC F21S 4/00; F21S 4/003; F21S 4/006; F21S 4/007; F21S 4/008; F21S 6/004; F21S 6/005; F21K 9/54; F21V 15/01; F21V 15/013

See application file for complete search history.

(56) **References Cited**

U.S. PATENT DOCUMENTS

3,965,287	A	6/1976	Mueller	
4,825,339	A	4/1989	Boudon	
D304,990	S *	12/1989	Springer	D7/367
5,149,039	A *	9/1992	Peterson	F21V 15/02
				D26/119
D330,661	S *	11/1992	McWilliams	D7/407

D357,385	S *	4/1995	Addison	D7/407
5,505,419	A	4/1996	Gabrius	
D467,372	S *	12/2002	Lee	D26/35
D525,207	S	7/2006	Kister et al.	
D599,054	S *	8/2009	Yu	D26/155
D599,951	S *	9/2009	Pickard	D26/138
D628,737	S *	12/2010	van den Akker	D26/89
D646,417	S *	10/2011	Wauters	D26/63
D663,881	S *	7/2012	Janssen	D26/74
D677,418	S	3/2013	Wilson et al.	
9,055,677	B2	6/2015	Garza, Jr. et al.	
9,060,607	B1	6/2015	Canales	
D767,808	S *	9/2016	Lehman	D26/74
2003/0142499	A1 *	7/2003	Chiu	F21S 2/005
				362/368

* cited by examiner

Primary Examiner — George D Kirschbaum

Assistant Examiner — Natasha Vujcic

(74) *Attorney, Agent, or Firm* — Kirk A. Buhler; Buhler & Associates

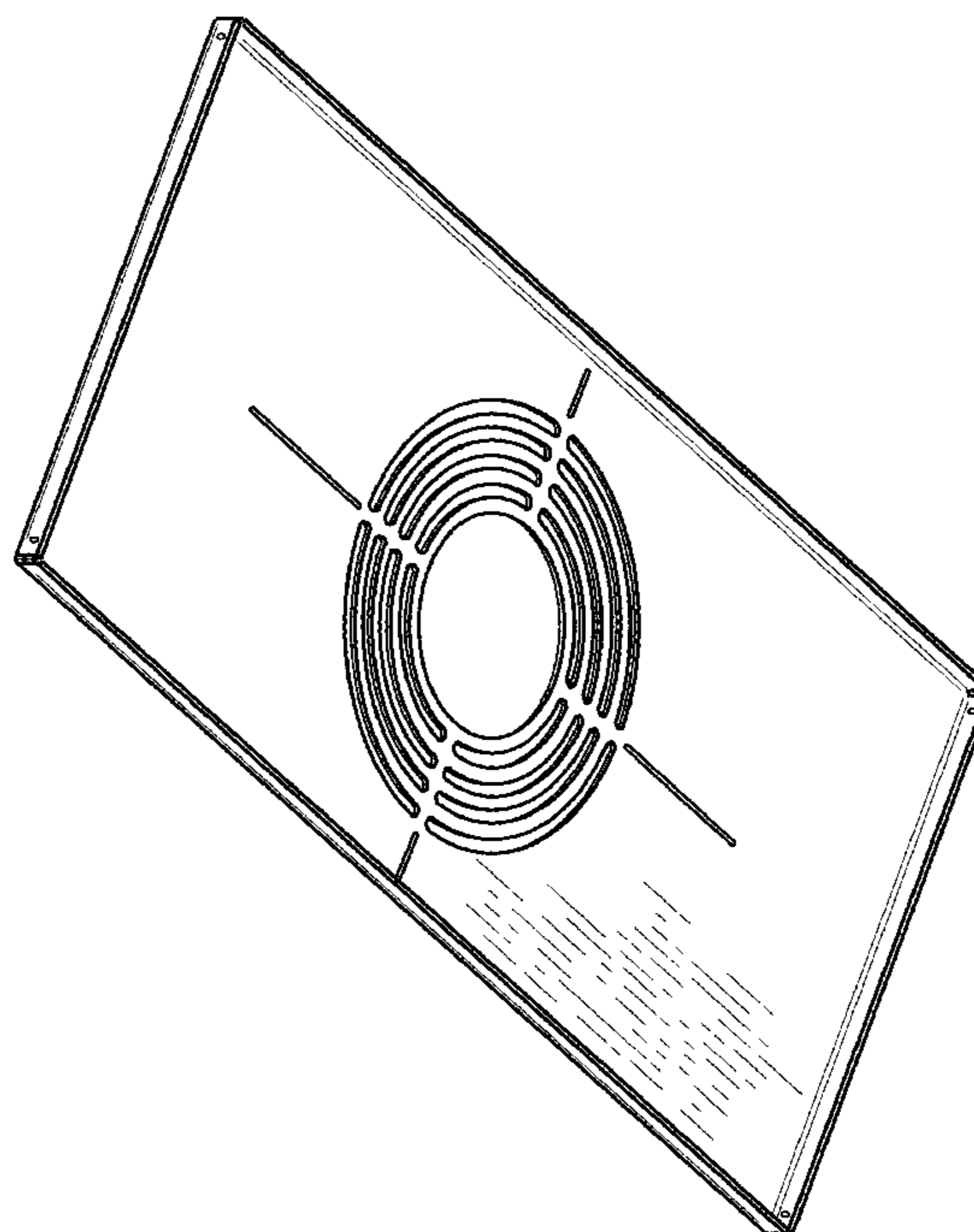
(57) **CLAIM**

The ornamental design for a concentric mounting plate for light fixtures, as shown and described.

DESCRIPTION

FIG. 1 is a top perspective view for a concentric mounting plate for light fixtures showing my new design; FIG. 2 is a top side view thereof; FIG. 3 is a front side view thereof; FIG. 4 is a bottom side view thereof; FIG. 5 is a rear side view thereof; FIG. 6 is a left side view thereof; and, FIG. 7 is a right side view thereof.

1 Claim, 4 Drawing Sheets



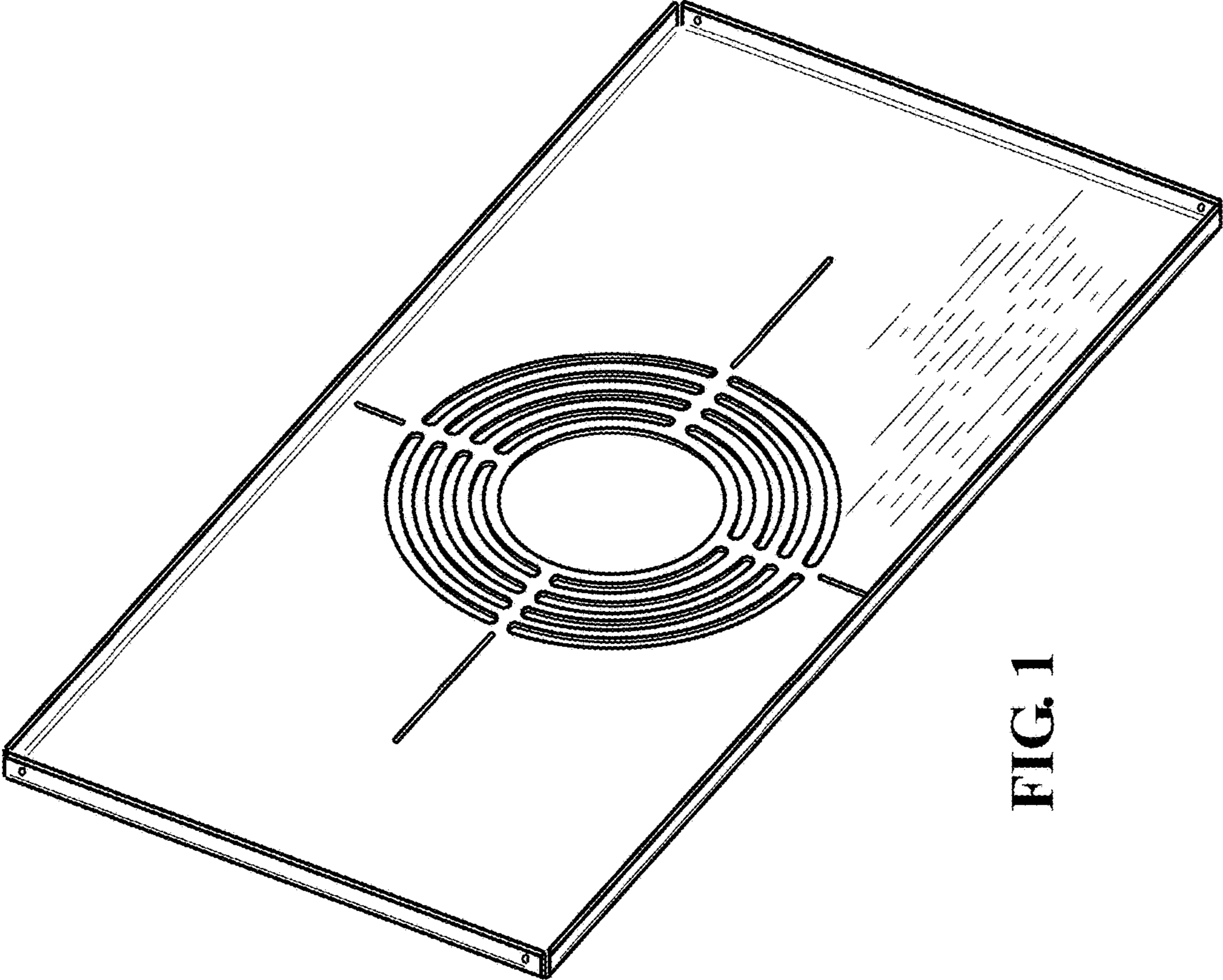


FIG. 1

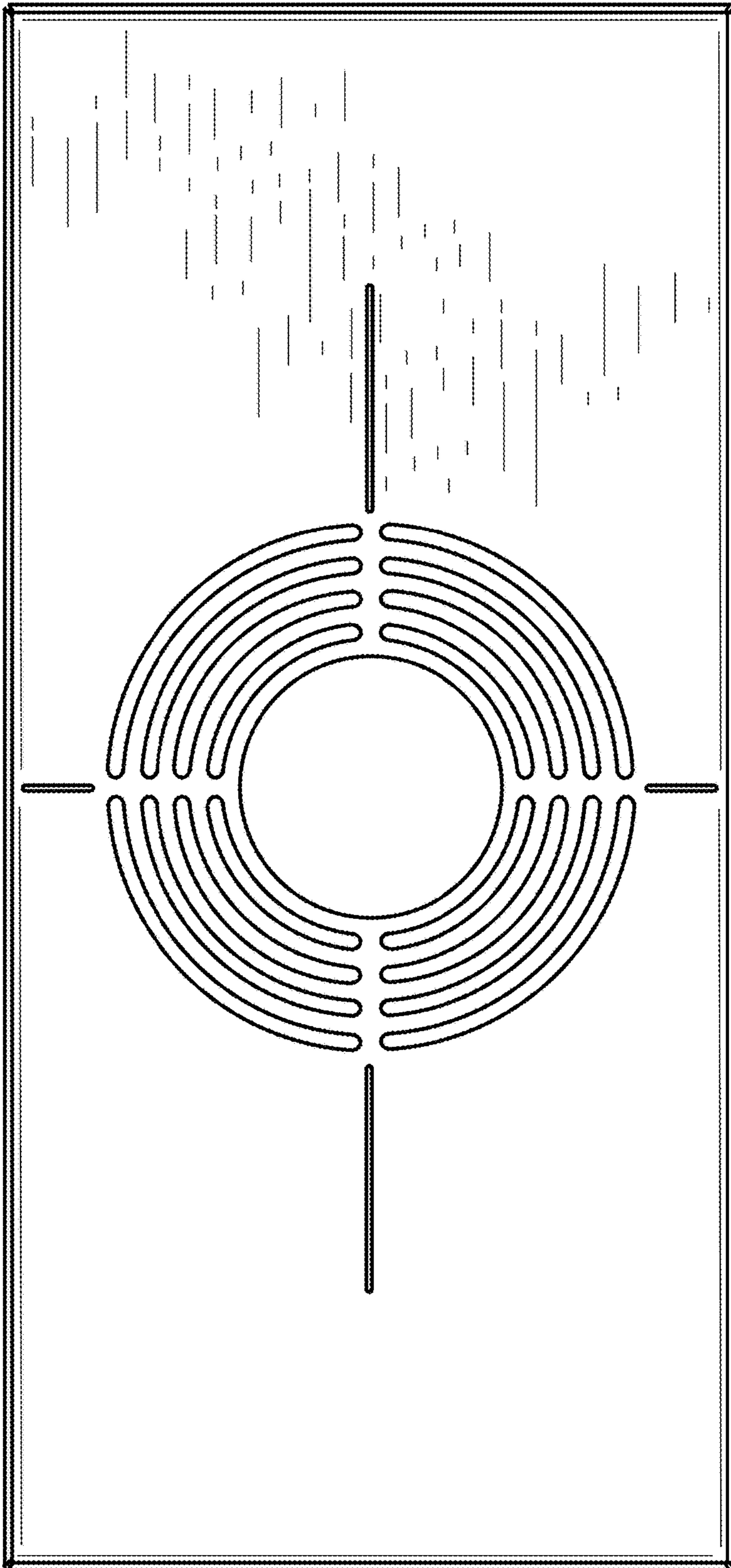


FIG. 2



FIG. 3

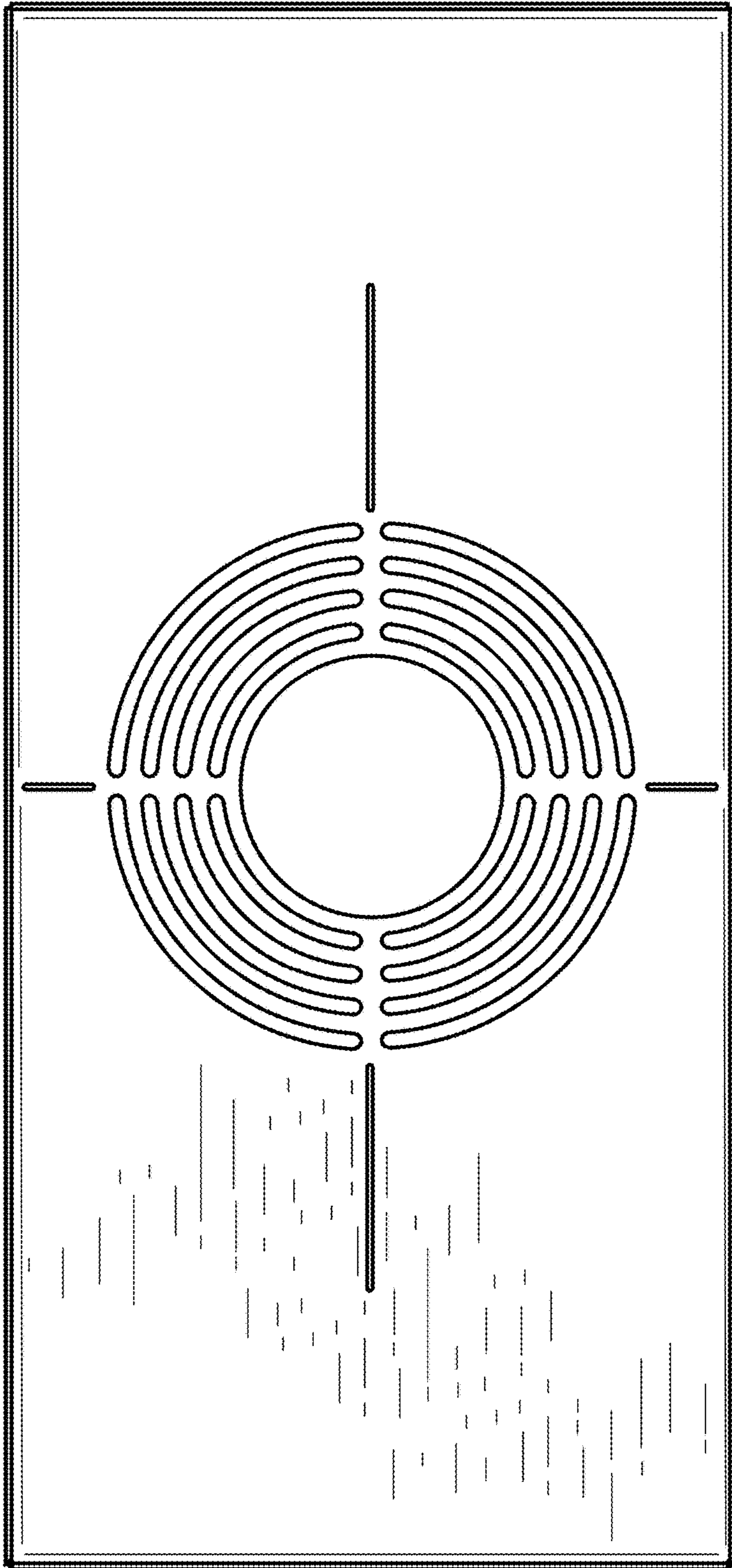


FIG. 4



FIG. 5



FIG. 6



FIG. 7