



US00D785853S

(12) **United States Design Patent** (10) **Patent No.:** **US D785,853 S**
DeBellis (45) **Date of Patent:** **** May 2, 2017**

(54) **CONCENTRIC MOUNTING PLATE FOR LIGHT FIXTURES**
(71) Applicant: **Thomas M. DeBellis**, Lake Elsinore, CA (US)
(72) Inventor: **Thomas M. DeBellis**, Lake Elsinore, CA (US)
(**) Term: **15 Years**
(21) Appl. No.: **29/548,566**
(22) Filed: **Dec. 15, 2015**
(51) **LOC (10) Cl.** **26-99**
(52) **U.S. Cl.**
USPC **D26/138**
(58) **Field of Classification Search**
USPC D26/76, 78, 79, 80, 81, 82, 83, 85, 86, D26/88, 90, 113, 118, 119, 120, 121, 122, D26/138, 139, 140, 141, 142
CPC F21S 2/00; F21S 4/00; F21S 4/003; F21S 4/005; F21S 4/006; F21S 4/007; F21S 4/008; F21S 6/00; F21S 8/00; F21S 8/024; F21S 8/026; F21S 8/031; F21S 8/033; F21S 8/035-8/037; F21S 8/04; F21S 8/043; F21S 8/063
See application file for complete search history.

(56) **References Cited**
U.S. PATENT DOCUMENTS
3,965,287 A 6/1976 Mueller
4,825,339 A 4/1989 Boudon
D304,990 S * 12/1989 Springer D7/367
5,149,039 A * 9/1992 Peterson F21V 15/02
D26/119

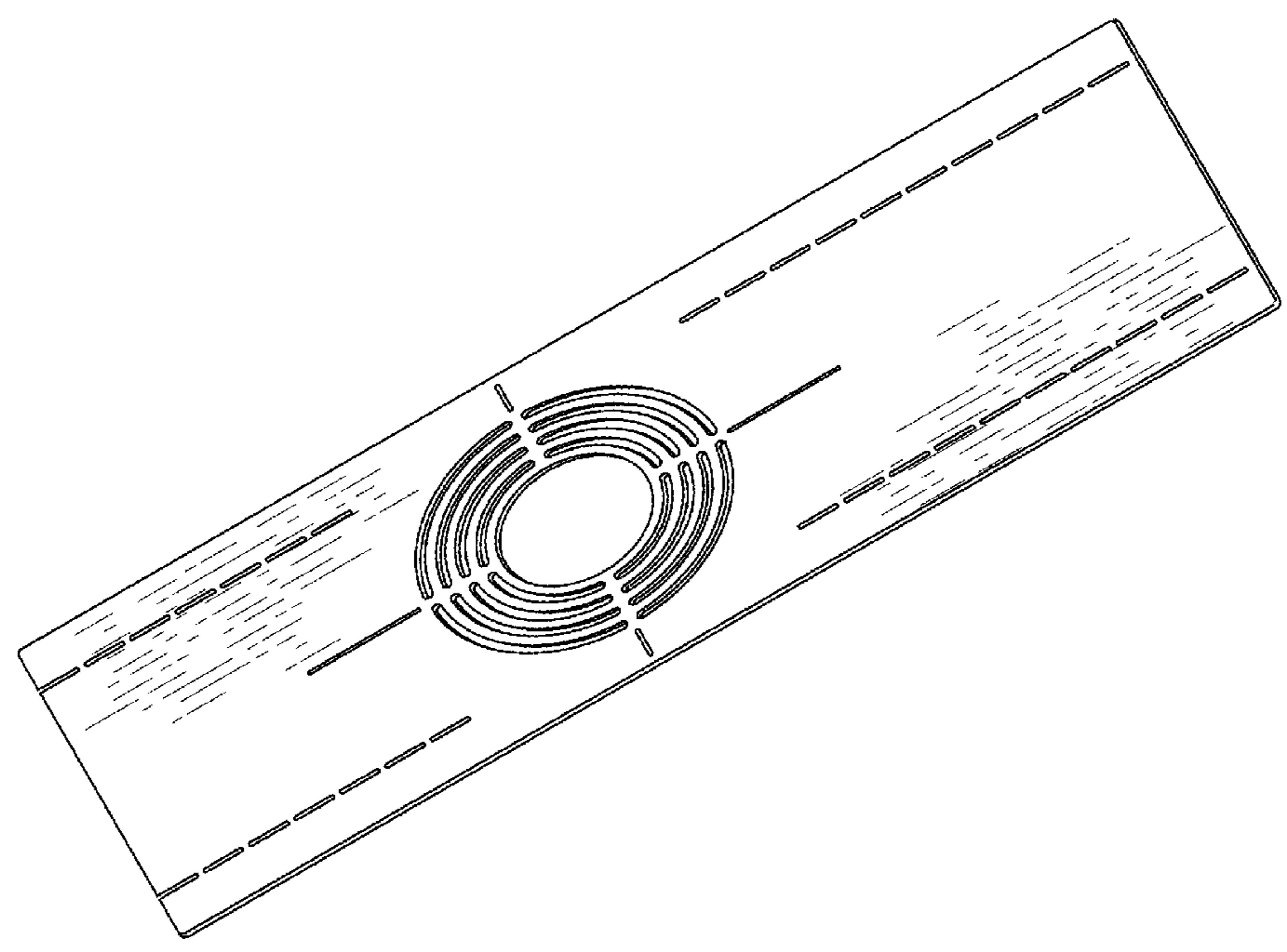
D330,661 S * 11/1992 McWilliams D7/407
D357,385 S * 4/1995 Addison D7/407
5,505,419 A 4/1996 Gabrius
D467,372 S * 12/2002 Lee D26/35
D525,207 S 7/2006 Kister et al.
D599,054 S * 8/2009 Yu D26/155
D599,951 S * 9/2009 Pickard D26/138
D628,737 S * 12/2010 van den Akker D26/89
D646,417 S * 10/2011 Wauters D26/63
D663,881 S * 7/2012 Janssen D26/74
D677,418 S 3/2013 Wilson et al.
9,055,677 B2 6/2015 Garza, Jr. et al.
9,060,607 B1 6/2015 Canales
D767,808 S * 9/2016 Lehman D26/74
2003/0142499 A1 * 7/2003 Chiu F21S 2/005
362/368

* cited by examiner
Primary Examiner — George D Kirschbaum
Assistant Examiner — Natasha Vujcic
(74) *Attorney, Agent, or Firm* — Kirk A. Buhler; Buhler & Associates

(57) **CLAIM**
The ornamental design for a concentric mounting plate for light fixtures, as shown and described.

DESCRIPTION
FIG. 1 is a top perspective view for a concentric mounting plate for light fixtures showing my new design;
FIG. 2 is a top side view thereof;
FIG. 3 is a front side view thereof;
FIG. 4 is a bottom side view thereof;
FIG. 5 is a rear side view thereof;
FIG. 6 is a left side view thereof; and,
FIG. 7 is a right side view thereof.

1 Claim, 4 Drawing Sheets



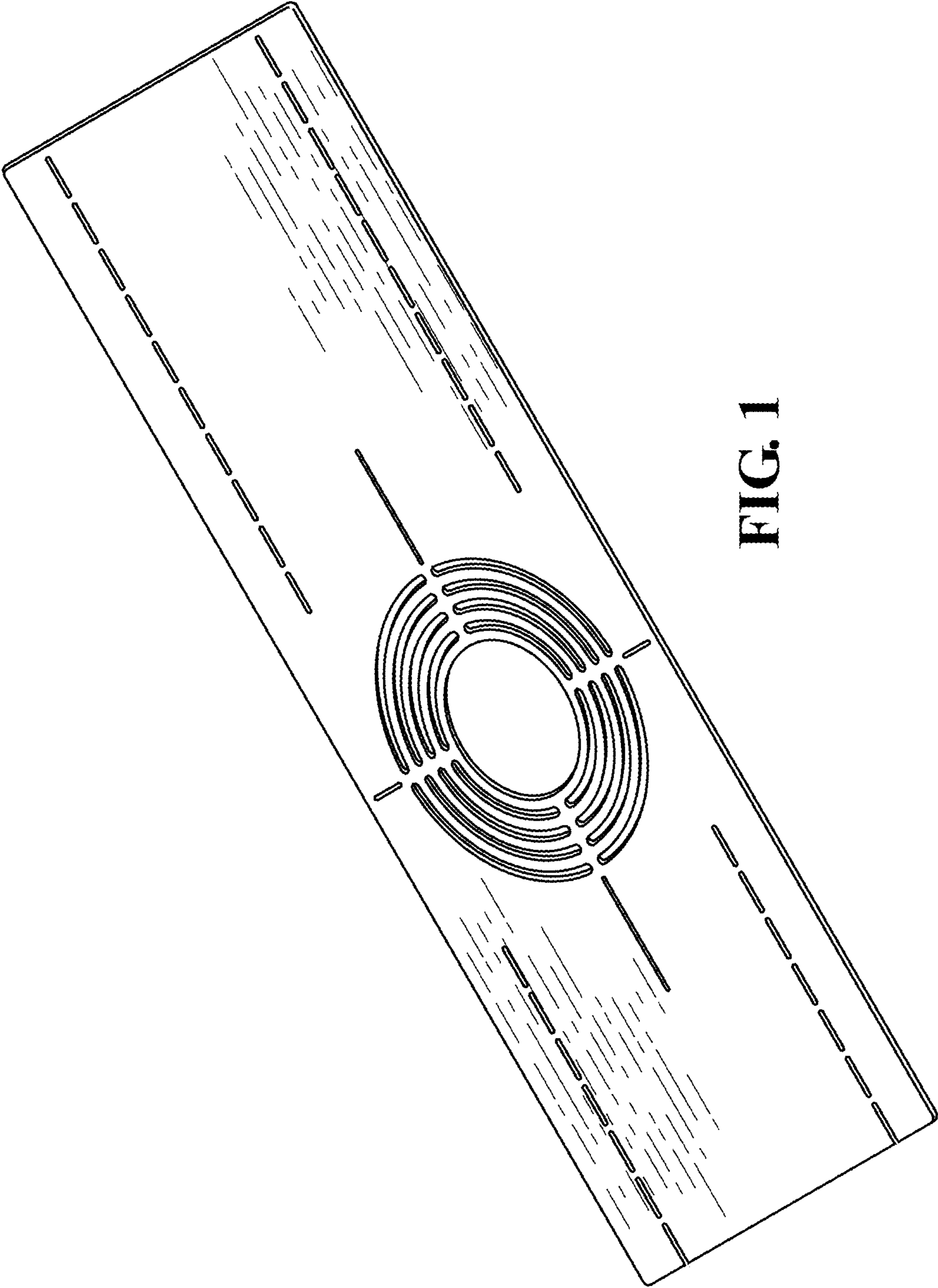


FIG. 1

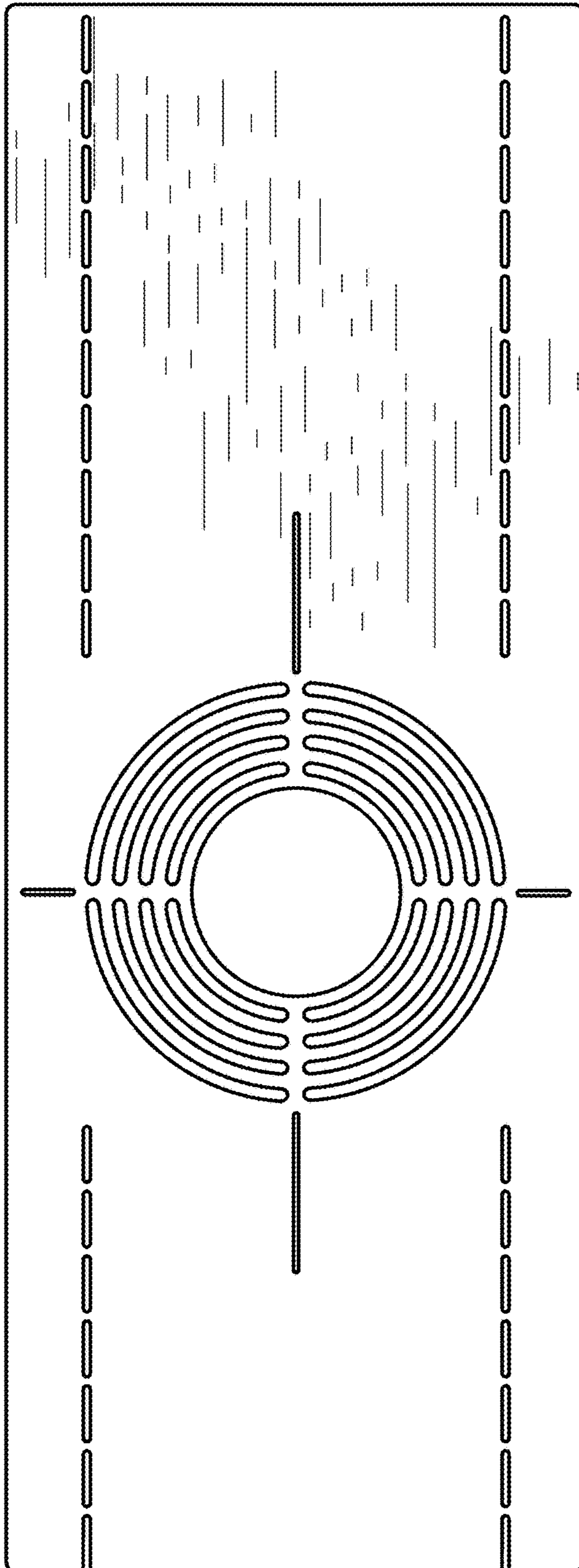


FIG. 2



FIG. 3

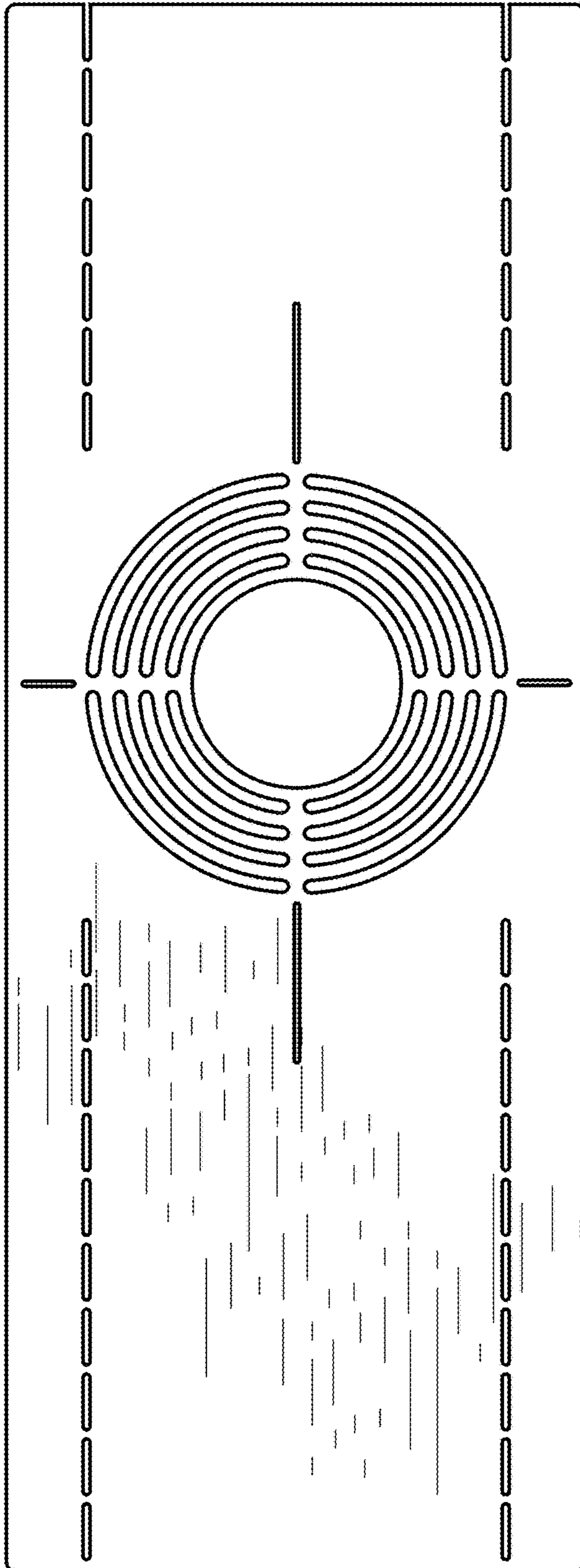


FIG. 4



FIG. 5



FIG. 6



FIG. 7