



US00D785851S

(12) **United States Design Patent**
Sonneman

(10) **Patent No.:** **US D785,851 S**

(45) **Date of Patent:** **** May 2, 2017**

(54) **LAMP**

(71) Applicant: **Robert A. Sonneman**, Mamaroneck,
NY (US)

(72) Inventor: **Robert A. Sonneman**, Mamaroneck,
NY (US)

(**) Term: **15 Years**

(21) Appl. No.: **29/584,624**

(22) Filed: **Nov. 16, 2016**

(51) **LOC (10) Cl.** **26-99**

(52) **U.S. Cl.**
USPC **D26/118; D26/72**

(58) **Field of Classification Search**
USPC D26/1, 67, 68, 69, 70, 110, 104, 72, 118,
D26/24, 93, 106, 85
CPC F21S 6/004; F21S 8/032; F21S 8/08; F21S
8/081; F21S 8/083; F21S 8/085; F21S
8/088; F21S 9/037; F21W 2131/10;
F21W 2131/109
See application file for complete search history.

(56) **References Cited**

U.S. PATENT DOCUMENTS

- 3,116,023 A * 12/1963 Van Dusen, Jr. F21V 23/04
250/239
- D321,406 S * 11/1991 Schlesselman D26/24

- D344,359 S * 2/1994 Matos D26/85
- D468,478 S * 1/2003 Landefeld D26/106
- D468,854 S * 1/2003 Chen D26/93
- D517,233 S * 3/2006 Doppelt D26/67
- D591,886 S * 5/2009 Tortel D26/67
- D601,291 S * 9/2009 Nankil D26/67
- D656,660 S * 3/2012 Henderson D26/118
- D713,082 S * 9/2014 Hermansen D26/67

* cited by examiner

Primary Examiner — Brian N Vinson

(74) *Attorney, Agent, or Firm* — Gottlieb, Rackman &
Reisman, P.C.

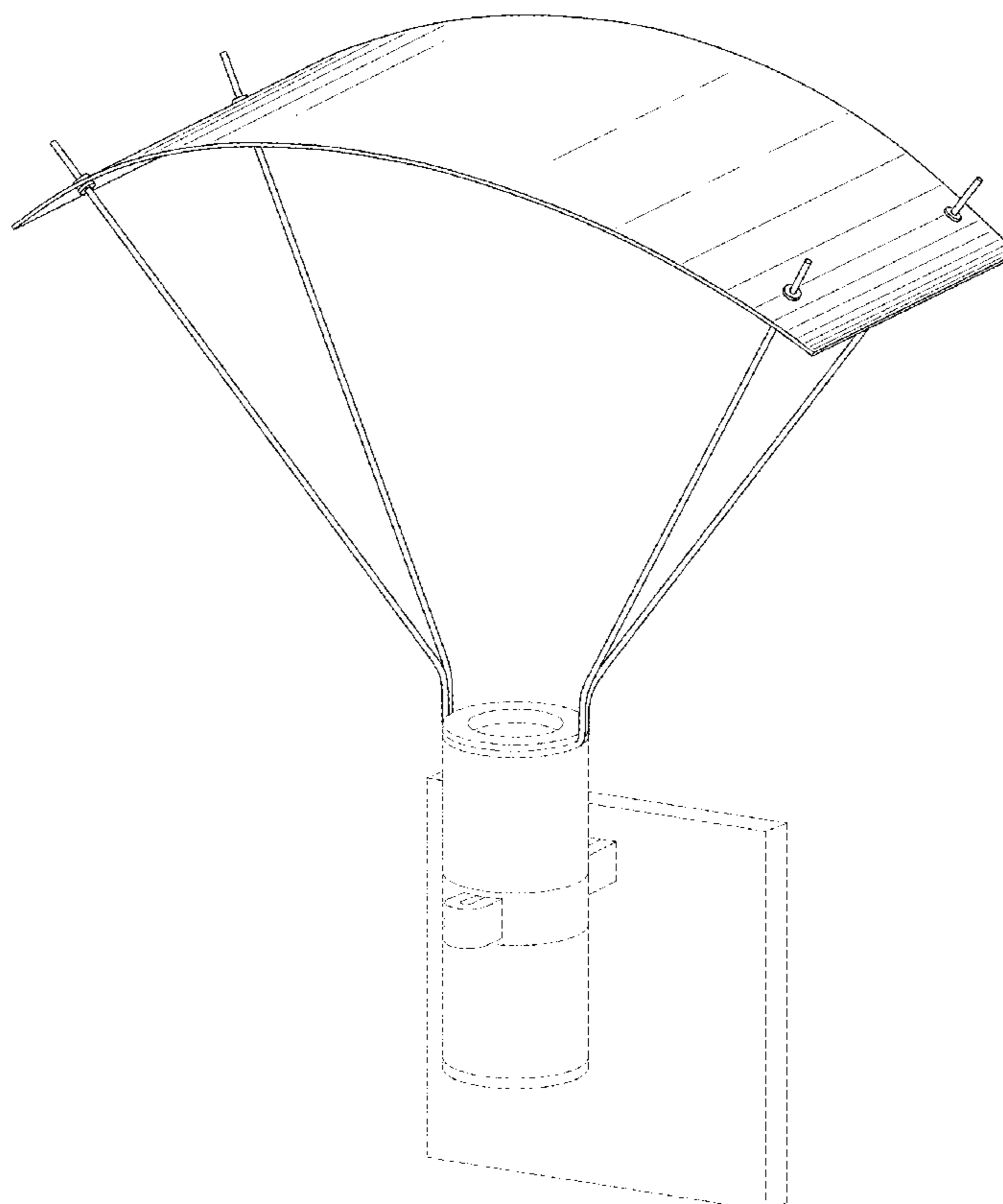
(57) **CLAIM**

The ornamental design for a lamp, as shown and described.

DESCRIPTION

FIG. 1 is a perspective view of the lamp showing my new design;
 FIG. 2 is a front elevational view thereof, the rear elevational view being a mirror image;
 FIG. 3 is a right side elevational view thereof, the left side elevational view being a mirror image;
 FIG. 4 is a top plan thereof; and,
 FIG. 5 is a bottom plan view thereof.
 The broken lines shown in the drawings are included for the purpose of illustrating portions of the article that form no part of the claimed design.

1 Claim, 5 Drawing Sheets



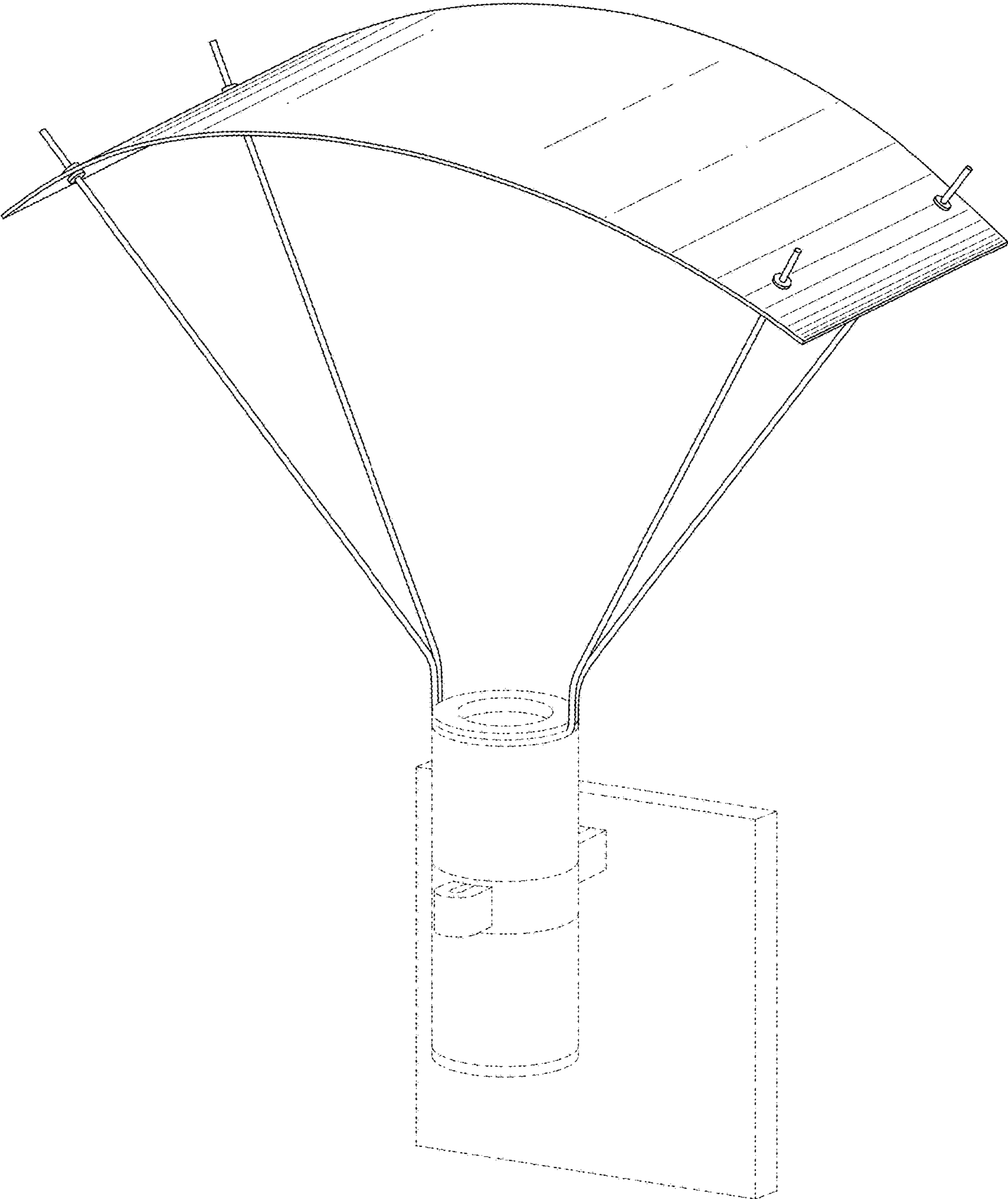


FIG. 1

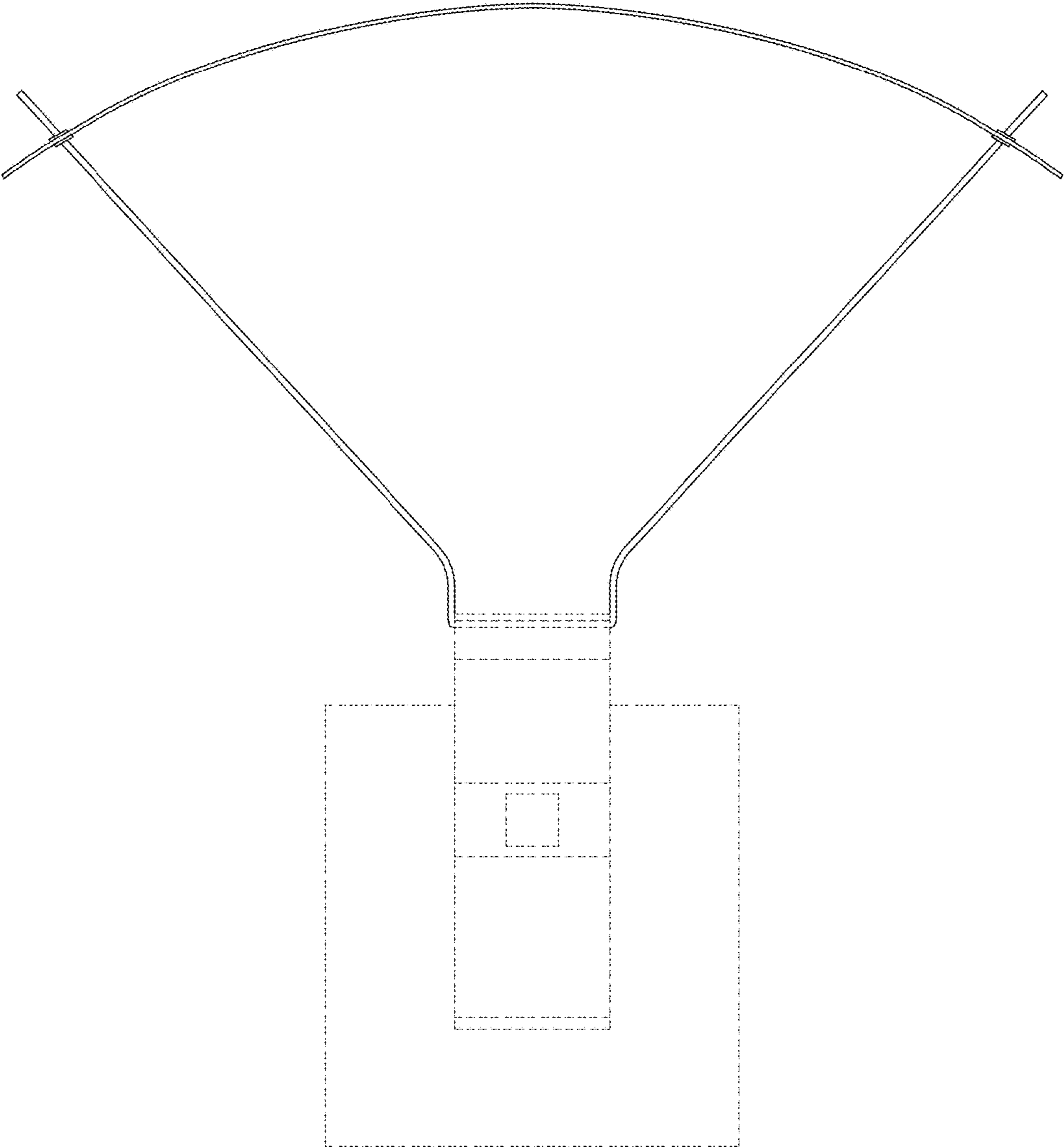


FIG.2

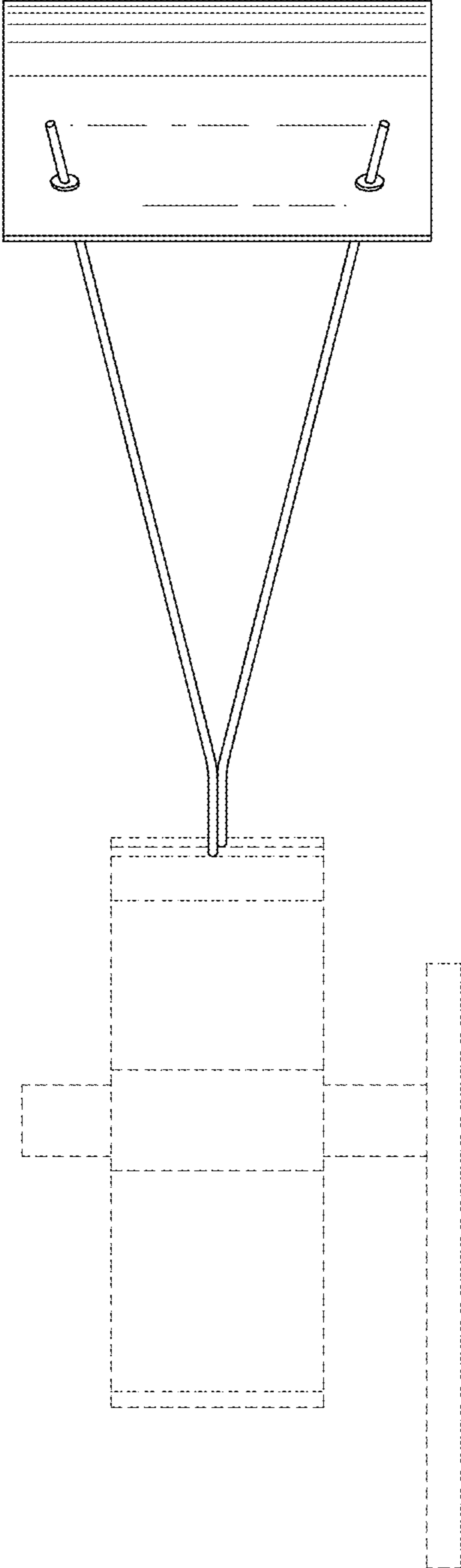


FIG. 3

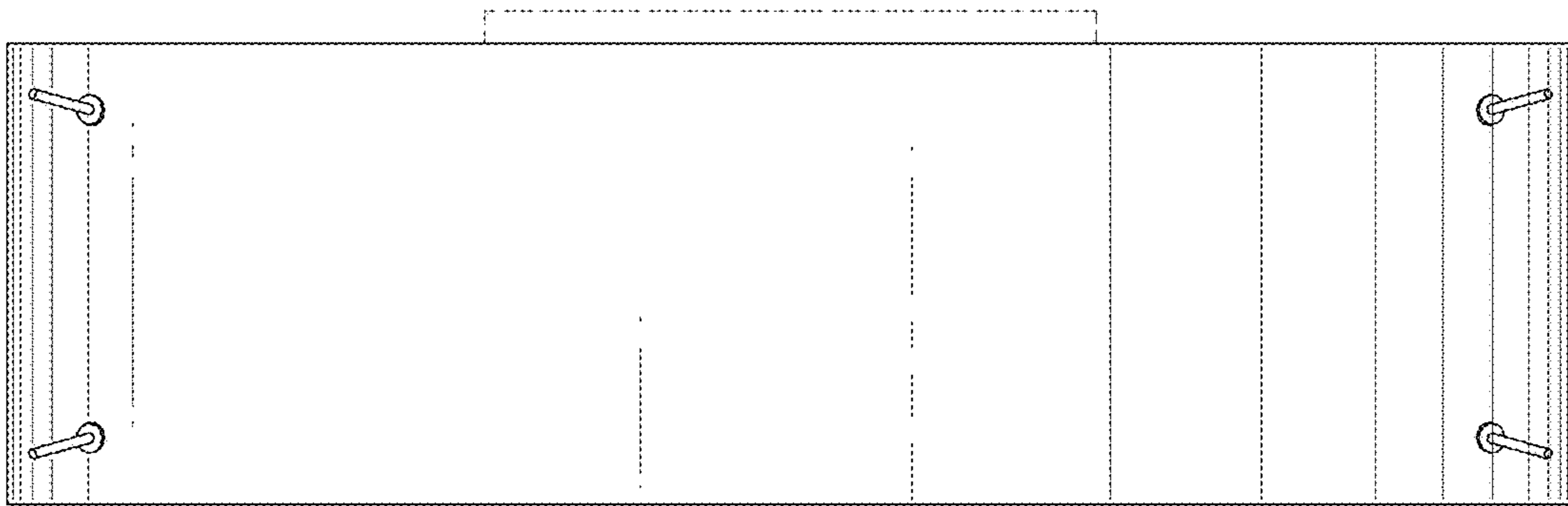


FIG.4

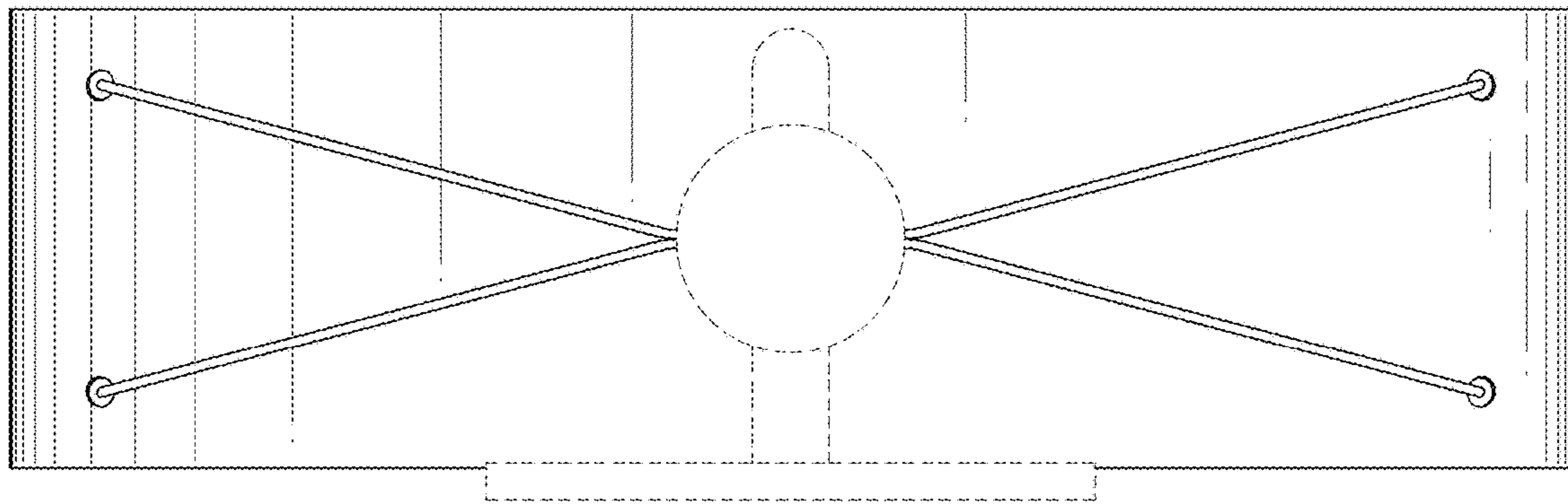


FIG.5