



US00D785848S

(12) **United States Design Patent**  
**Couture**

(10) **Patent No.:** **US D785,848 S**

(45) **Date of Patent:** **\*\* May 2, 2017**

- (54) **LIGHT**
- (71) Applicant: **ARTIKA FOR LIVING INC.**
- (72) Inventor: **Marc Couture**, Lachine (CA)
- (73) Assignee: **Artika for Living Inc.**, Dorval (CA)
- (\*\*) Term: **15 Years**
- (21) Appl. No.: **29/532,430**
- (22) Filed: **Jul. 7, 2015**
- (30) **Foreign Application Priority Data**  
Jul. 2, 2015 (CA) ..... 163111
- (51) **LOC (10) Cl.** ..... **26-03**
- (52) **U.S. Cl.**  
USPC ..... **D26/89**
- (58) **Field of Classification Search**  
USPC ..... D26/72, 83, 89, 91, 118  
CPC .... F21S 8/04; F21S 8/033; F21S 8/036; F21S  
13/02  
See application file for complete search history.

(56) **References Cited**

**U.S. PATENT DOCUMENTS**

- D107,888 S \* 1/1938 Waterbury ..... D26/89
- 2,255,431 A \* 9/1941 Marden ..... C09K 11/025  
220/2.1 R
- 3,836,766 A \* 9/1974 Auerbach ..... F21S 8/033  
362/311.14
- 3,840,735 A \* 10/1974 Chan ..... F21V 15/005  
362/267
- 4,099,224 A \* 7/1978 Valpey ..... F21V 17/164  
362/433

- 4,459,648 A \* 7/1984 Ullman ..... F21S 8/02  
315/276
- D406,674 S \* 3/1999 Zuege ..... D26/85
- 6,042,251 A \* 3/2000 McCarthy ..... F21S 8/033  
362/147
- D490,182 S \* 5/2004 Benensohn ..... D26/79
- D501,573 S \* 2/2005 Benensohn ..... D26/89
- 7,594,734 B2 \* 9/2009 Bacon ..... F21V 3/00  
362/147
- D633,644 S \* 3/2011 Sprengers ..... D26/89
- D634,053 S \* 3/2011 Guercio ..... D26/89
- D634,057 S \* 3/2011 Nguyen ..... D26/89
- D667,162 S \* 9/2012 Choi ..... D26/89
- D696,451 S \* 12/2013 Chen ..... D26/89
- D729,970 S \* 5/2015 Jepson ..... D26/89
- D759,877 S \* 6/2016 Hewitt ..... D26/89
- 2007/0253192 A1 \* 11/2007 Monteiro ..... F21V 15/00  
362/147
- 2011/0291594 A1 \* 12/2011 Tanaka ..... F21V 19/0005  
315/309

\* cited by examiner

*Primary Examiner* — Clare E Heflin

(74) *Attorney, Agent, or Firm* — Brouillette Legal Inc.;  
Damien Calvet

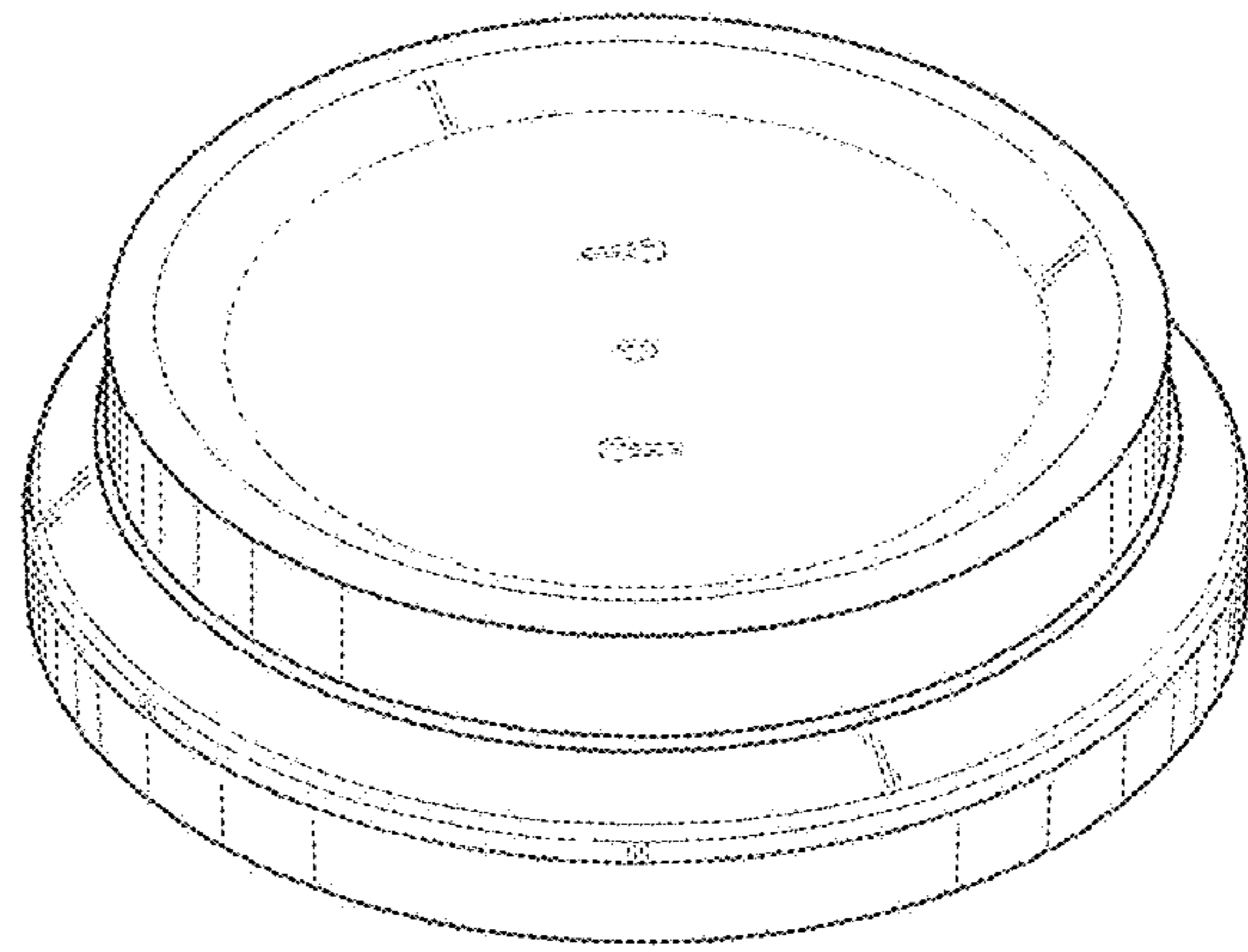
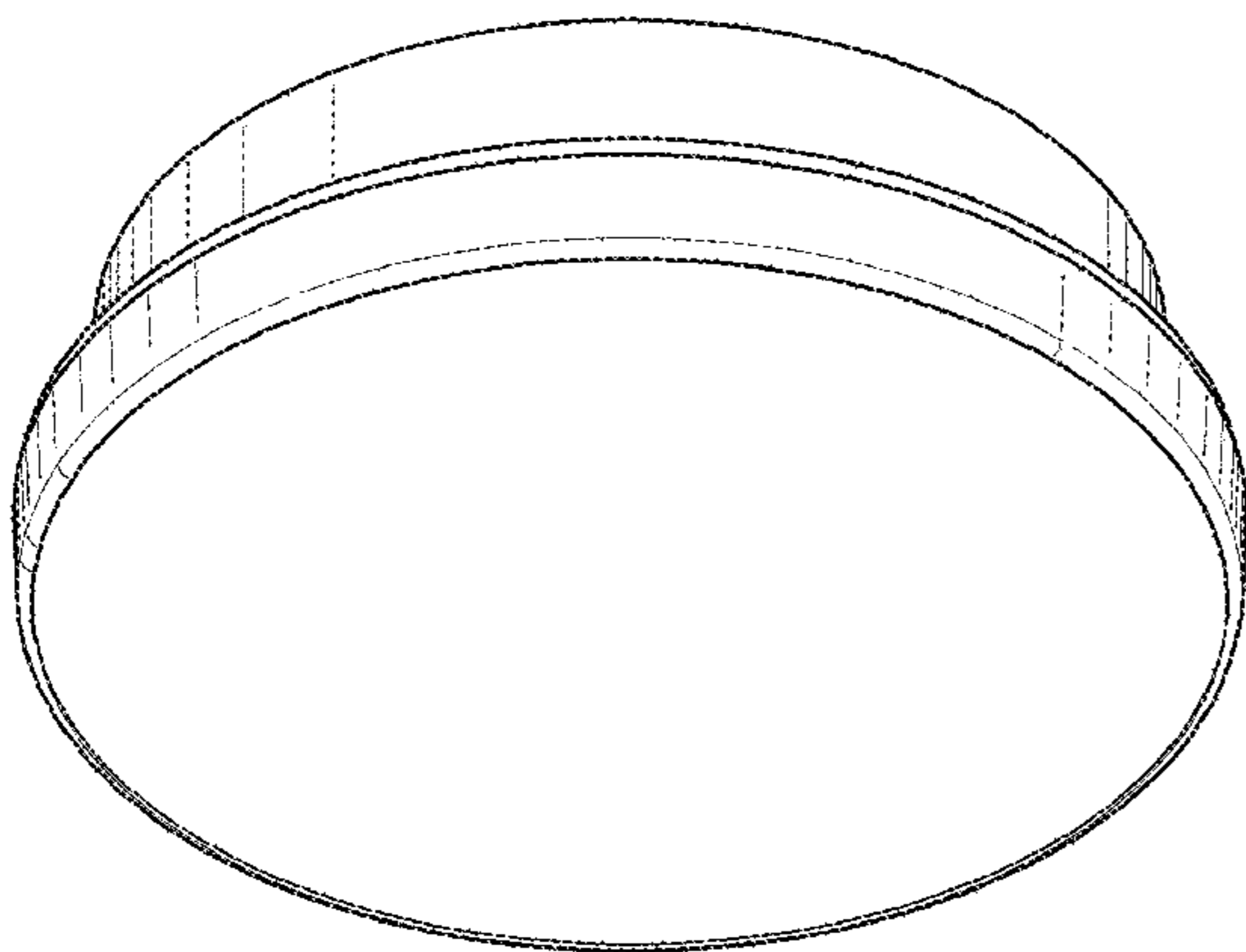
(57) **CLAIM**

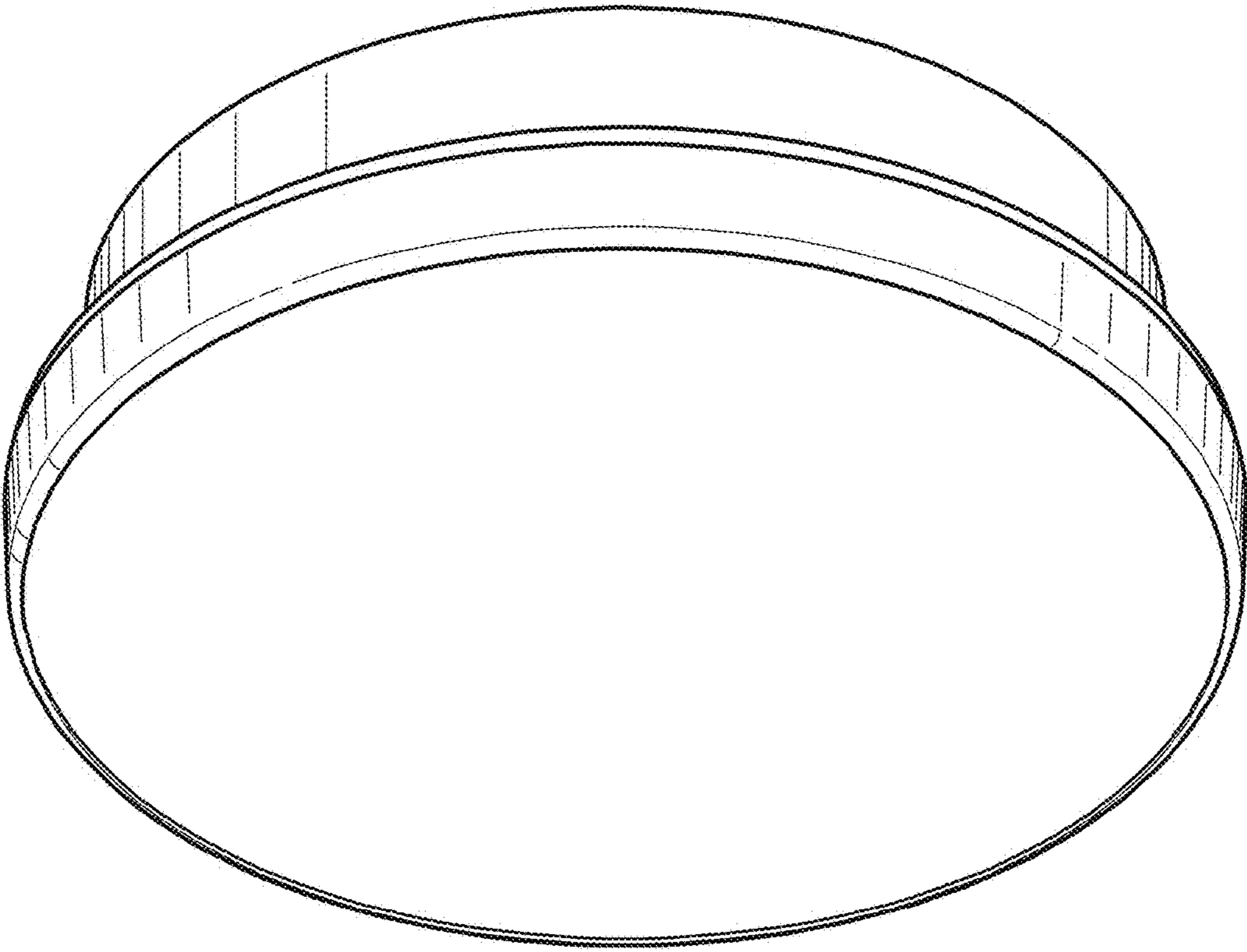
The ornamental design for a light, as shown and described.

**DESCRIPTION**

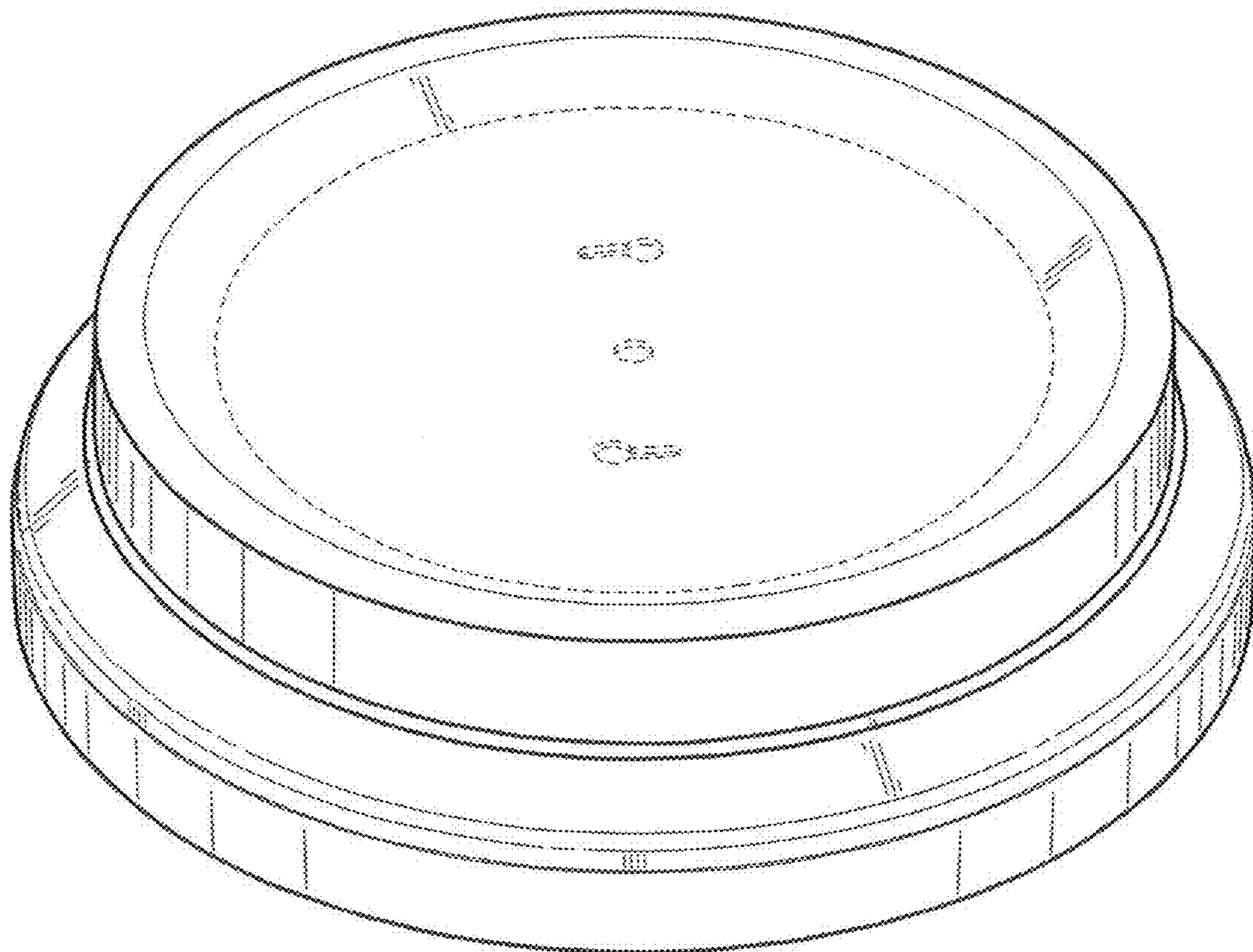
FIG. 1 is a bottom perspective view of a light;  
 FIG. 2 is a top perspective view of the light;  
 FIG. 3 is a top plan view of the light;  
 FIG. 4 is a side elevation view of the light; and,  
 FIG. 5 is a bottom plan view of the light.  
 The broken lines shown on the drawings depict portions of the light that form no part of the claimed design.

**1 Claim, 5 Drawing Sheets**

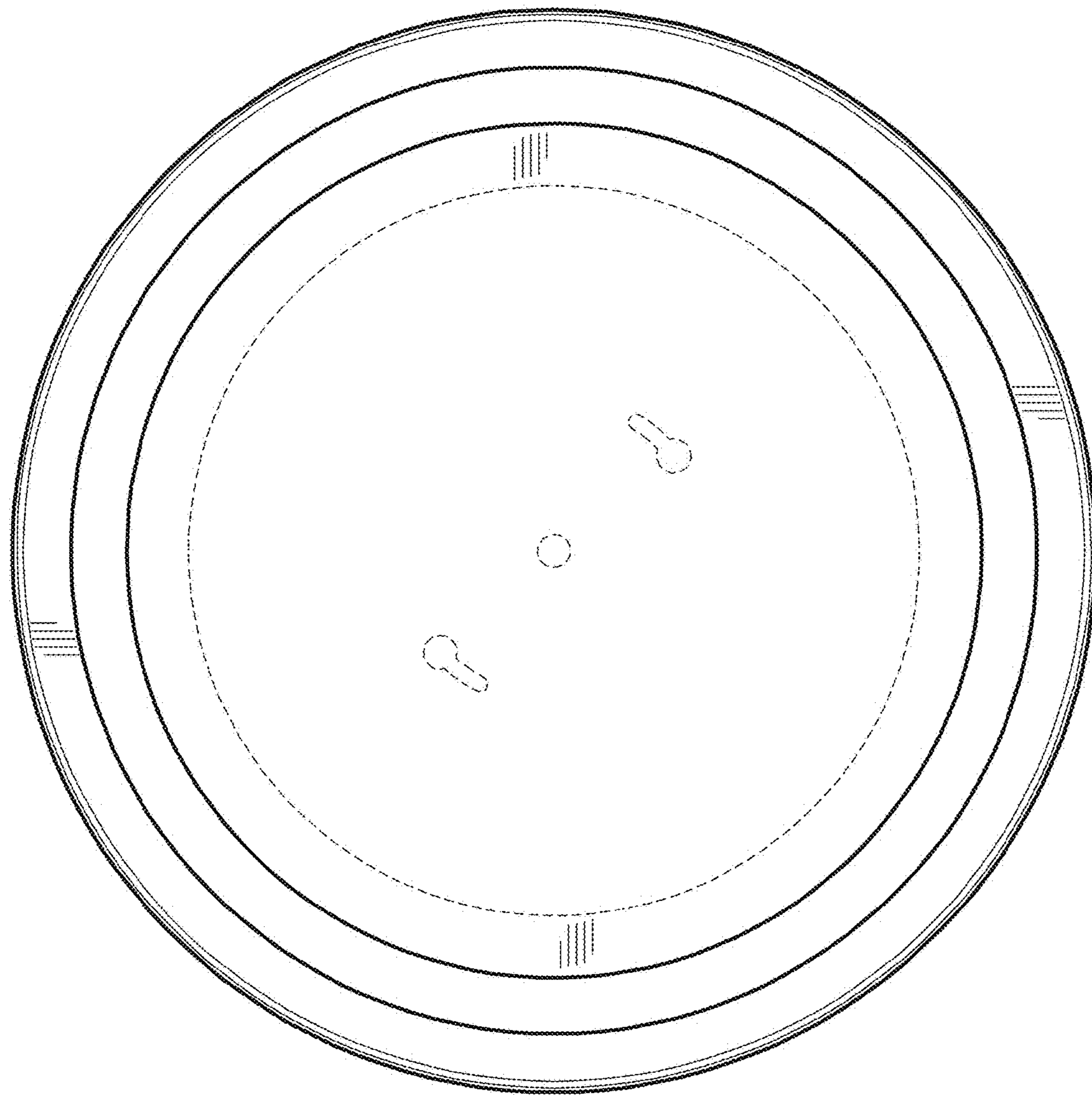




**FIG. 1**

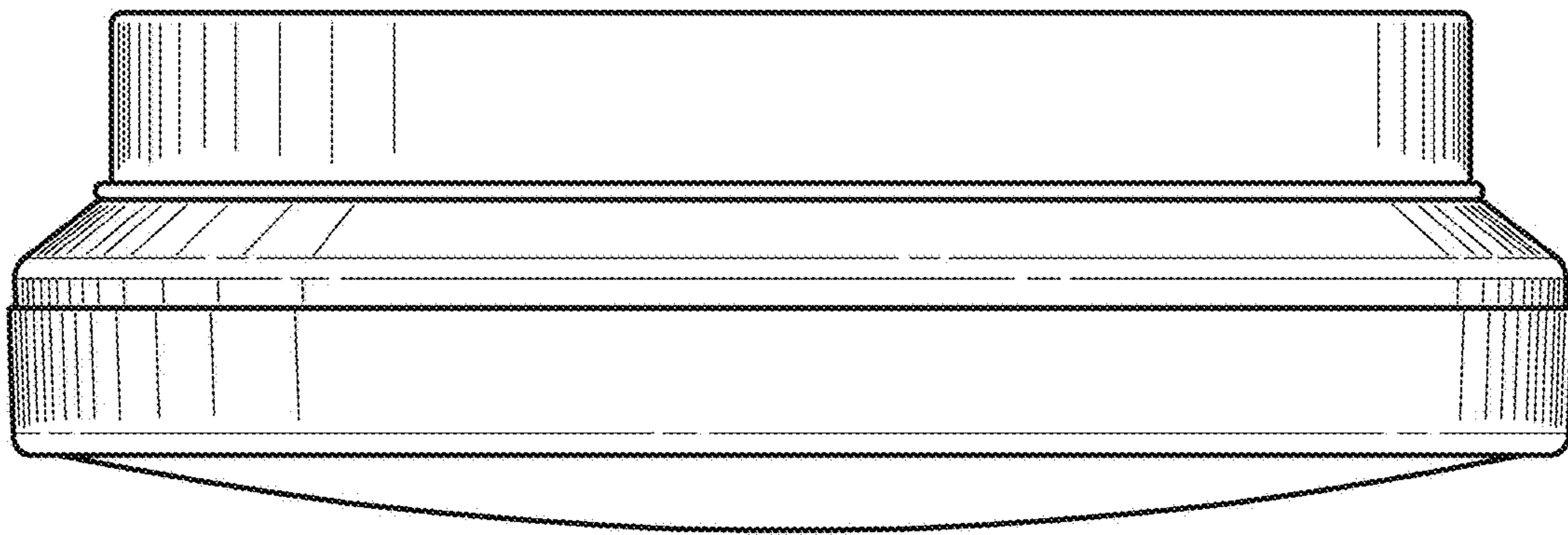


**FIG. 2**

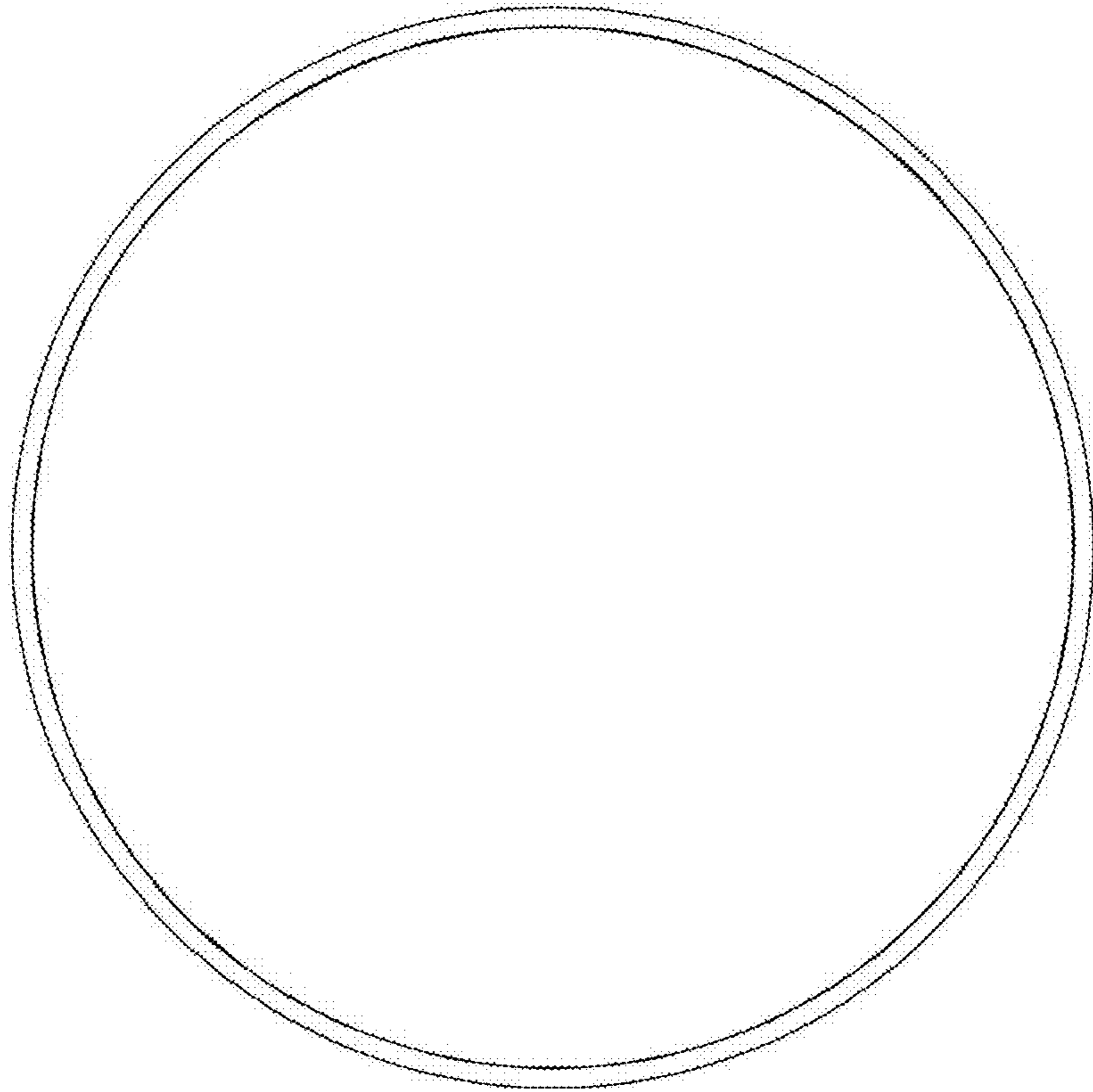


**FIG. 3**





**FIG. 4**



**FIG. 5**