



US00D785847S

(12) **United States Design Patent**  
**Nankil**

(10) **Patent No.:** **US D785,847 S**

(45) **Date of Patent:** **\*\* May 2, 2017**

(54) **LIGHTING FIXTURE HAVING STRUTS**

(56) **References Cited**

(71) Applicant: **Hubbell Incorporated**, Shelton, CT  
(US)

U.S. PATENT DOCUMENTS

(72) Inventor: **Robert R. Nankil**, Buena Park, CA  
(US)

D75,057 S *	5/1928	Rosenblatt .....	D26/88
D75,420 S *	6/1928	Frerichs .....	D26/88
D154,302 S *	6/1949	Palmquist .....	D26/88
D210,015 S *	1/1968	Kahn .....	D22/123
D225,563 S *	12/1972	Mackey .....	D26/88
D245,506 S *	8/1977	Kikoler .....	D22/123
D426,913 S *	6/2000	Johnson .....	D26/153
D447,591 S *	9/2001	Hsu .....	D26/84
D625,455 S *	10/2010	Sonneman .....	D26/85
D625,456 S *	10/2010	Sonneman .....	D26/85
D625,457 S *	10/2010	Sonneman .....	D26/85

(73) Assignee: **Hubbell Incorporated**, Shelton, CT  
(US)

(\*\*) Term: **15 Years**

\* cited by examiner

(21) Appl. No.: **29/552,851**

(22) Filed: **Jan. 26, 2016**

*Primary Examiner* — Clare E Heflin

(74) *Attorney, Agent, or Firm* — Michael Best & Friedrich, LLP

**Related U.S. Application Data**

(62) Division of application No. 29/502,213, filed on Sep. 12, 2014, now Pat. No. Des. 751,747, which is a division of application No. 29/440,322, filed on Dec. 20, 2012, now Pat. No. Des. 715,475, which is a division of application No. 29/419,121, filed on Apr. 25, 2012, now Pat. No. Des. 676,588, which is a division of application No. 29/401,710, filed on Sep. 14, 2011, now Pat. No. Des. 662,647, which is a division of application No. 29/347,584, filed on Mar. 8, 2010, now Pat. No. Des. 647,235.

(57) **CLAIM**

The ornamental design for a lighting fixture having struts, as shown and described.

(51) **LOC (10) Cl.** ..... **26-03**

(52) **U.S. Cl.**  
USPC ..... **D26/88**

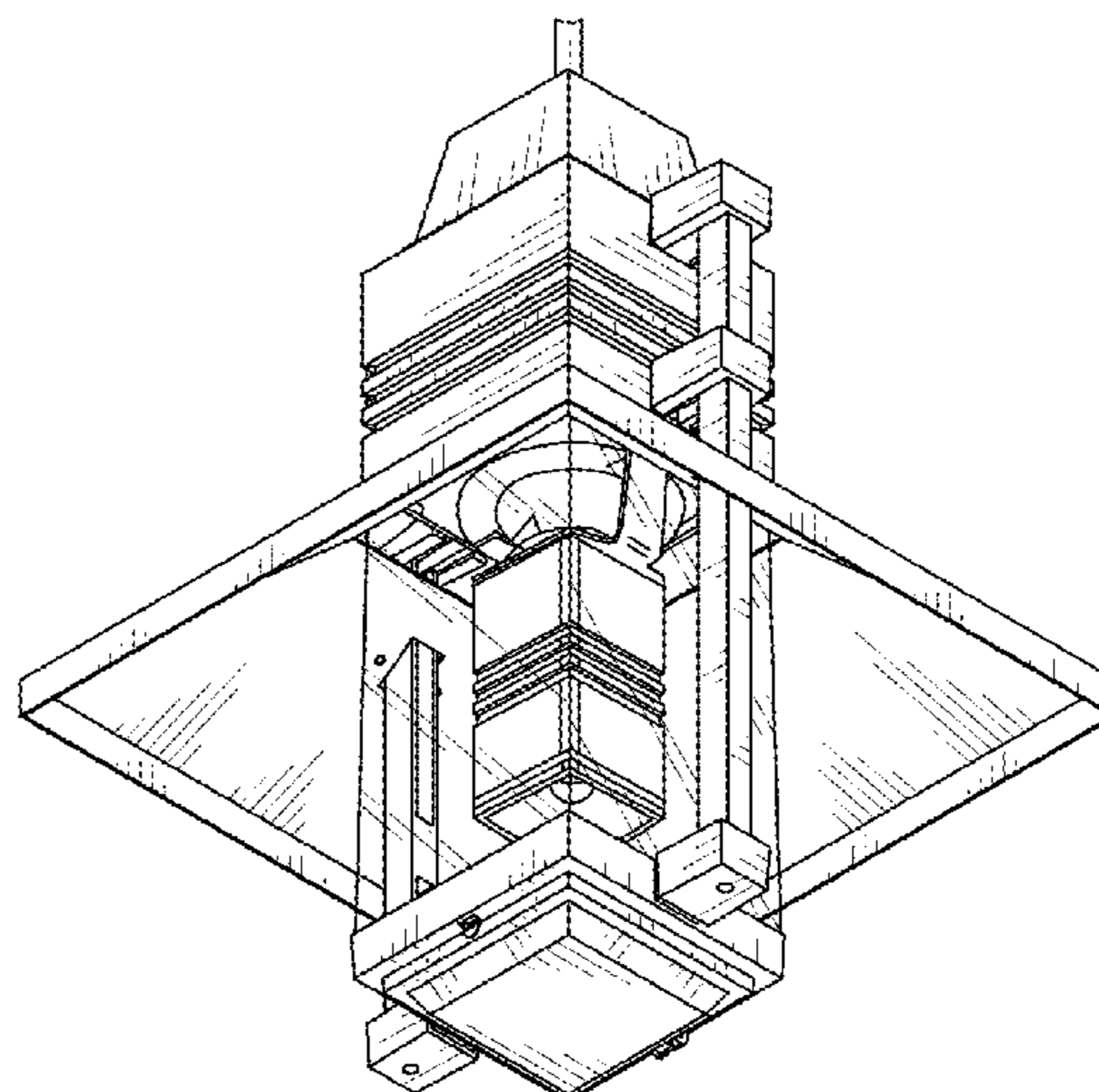
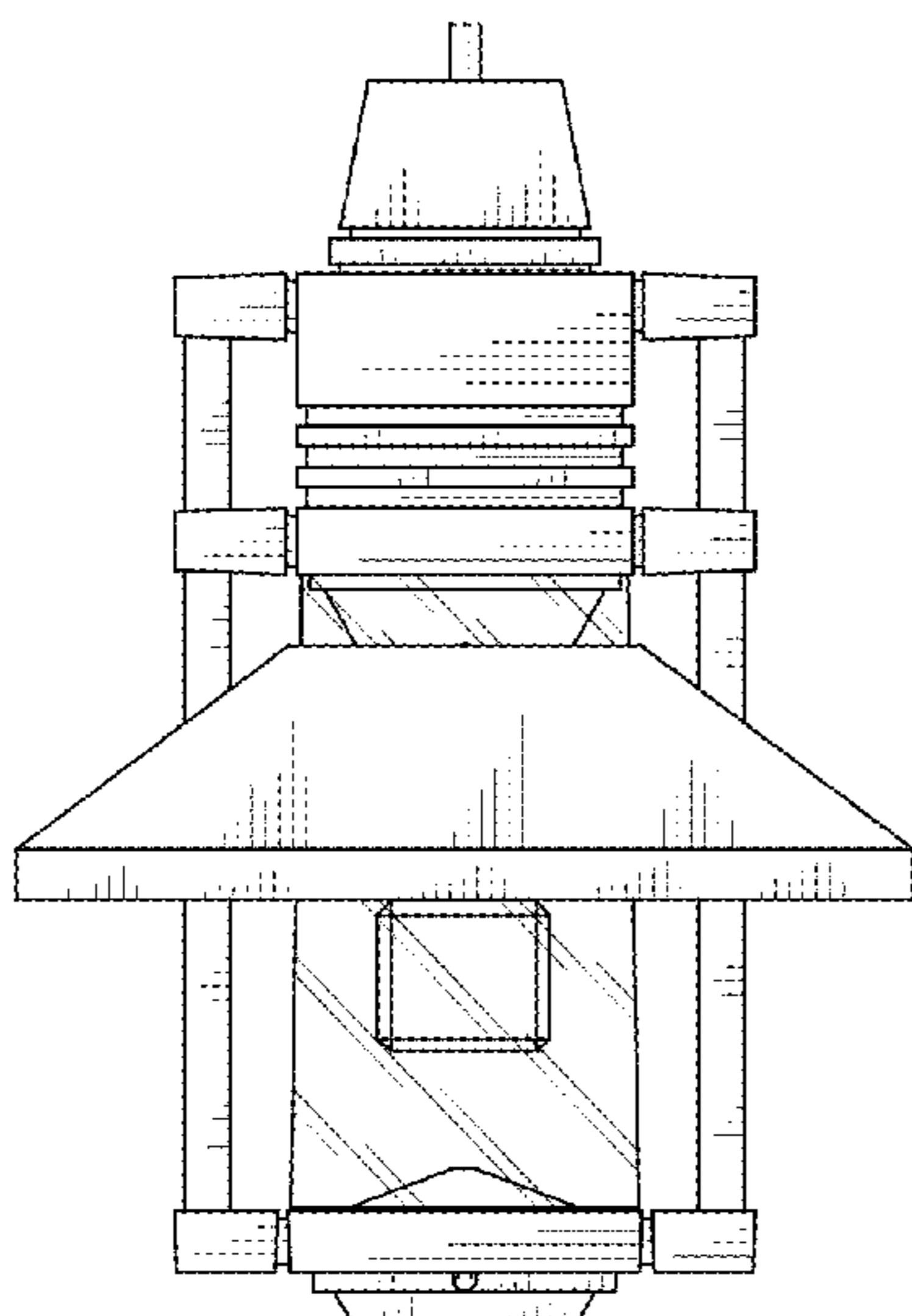
**DESCRIPTION**

(58) **Field of Classification Search**  
USPC ..... D26/67-72, 84, 85, 88, 118, 123, 131, D26/134  
CPC .... F21S 6/004; F21S 6/005; F21S 8/08; F21S 8/081; F21S 8/083; F21S 8/088; F21S 9/03; F21S 9/032; F21S 9/035; F21S 9/037; F21S 8/06; F21S 8/061; F21S 8/063; F21S 8/068; F21V 21/0824; F21V 2131/109

FIG. 1 is a top plan view showing the new design; FIG. 2 is a top perspective view of the lighting fixture illustrated in FIG. 1; FIG. 3 is a front elevational view of the lighting fixture illustrated in FIGS. 1 and 2, the back elevational view being the mirror image thereof; FIG. 4 is a left side elevational view of the lighting fixture illustrated in FIGS. 1-3, the right side being the mirror image thereof; FIG. 5 is a bottom plan view of the lighting fixture illustrated in FIGS. 1-4; and, FIG. 6 is a bottom perspective view of the lighting fixture illustrated in FIGS. 1-5. The broken lines shown on the end of the support member define the bounds of the claimed design and form no part thereof.

See application file for complete search history.

**1 Claim, 3 Drawing Sheets**



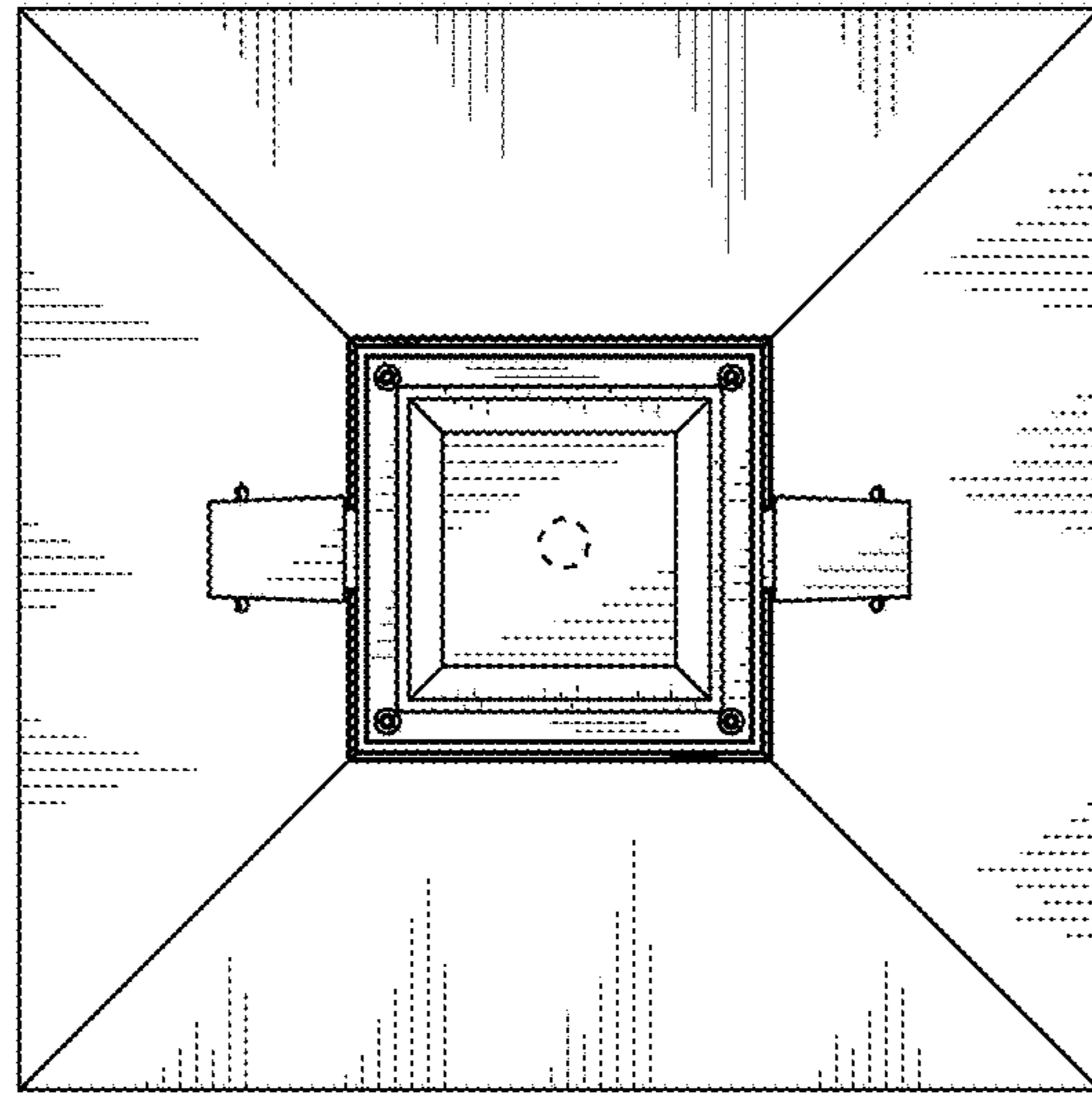


FIG. 1

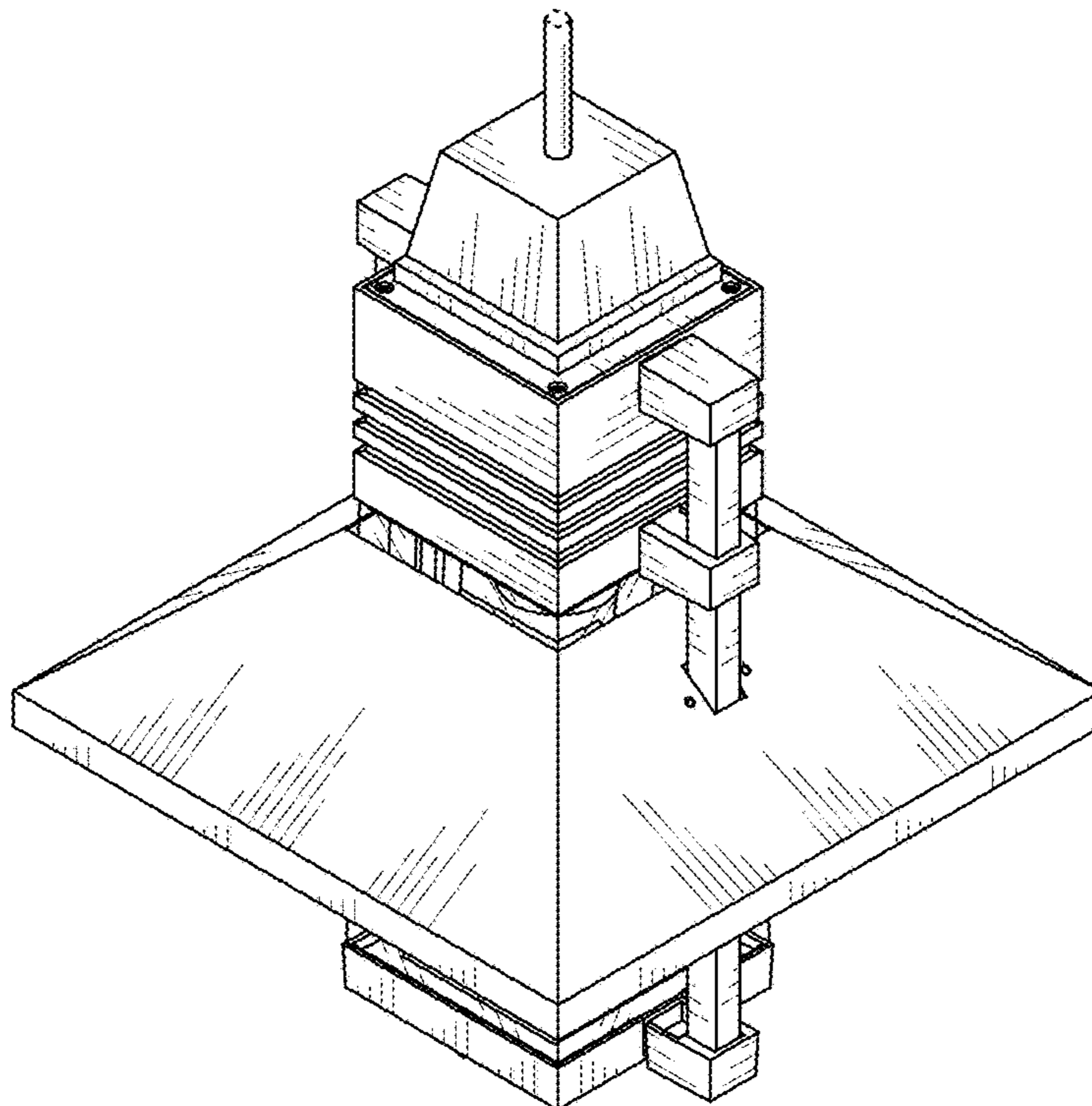


FIG. 2

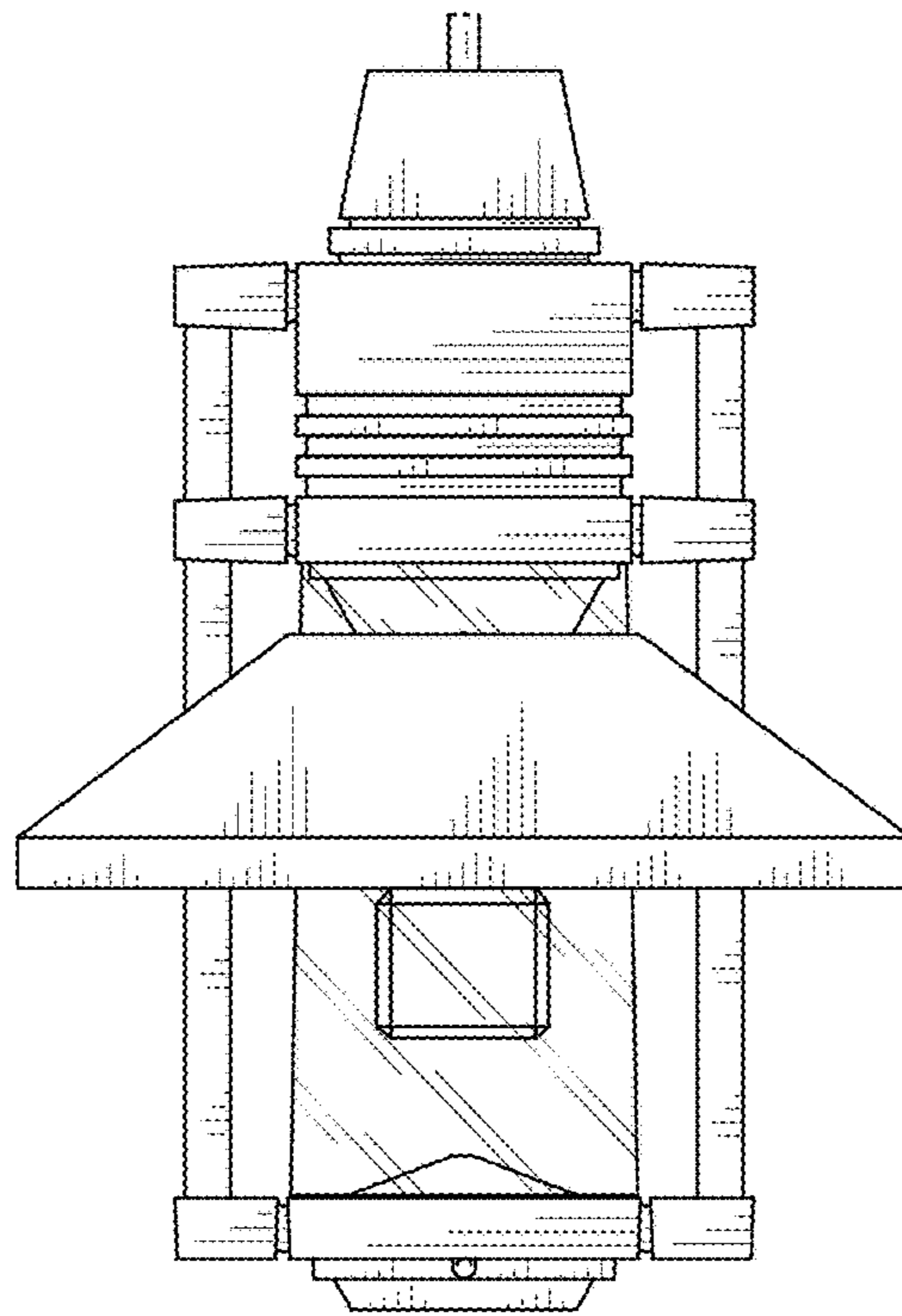


FIG. 3

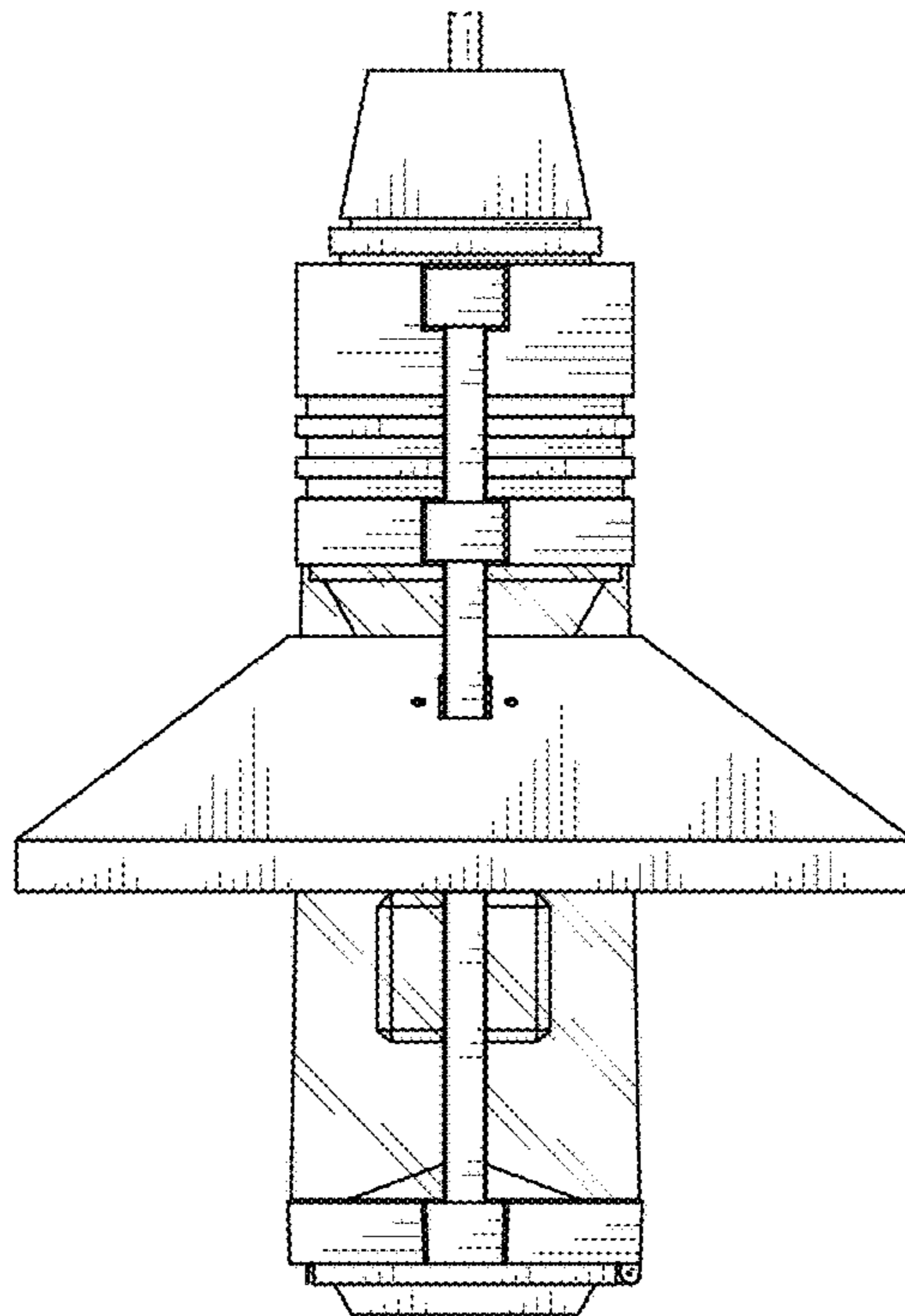


FIG. 4

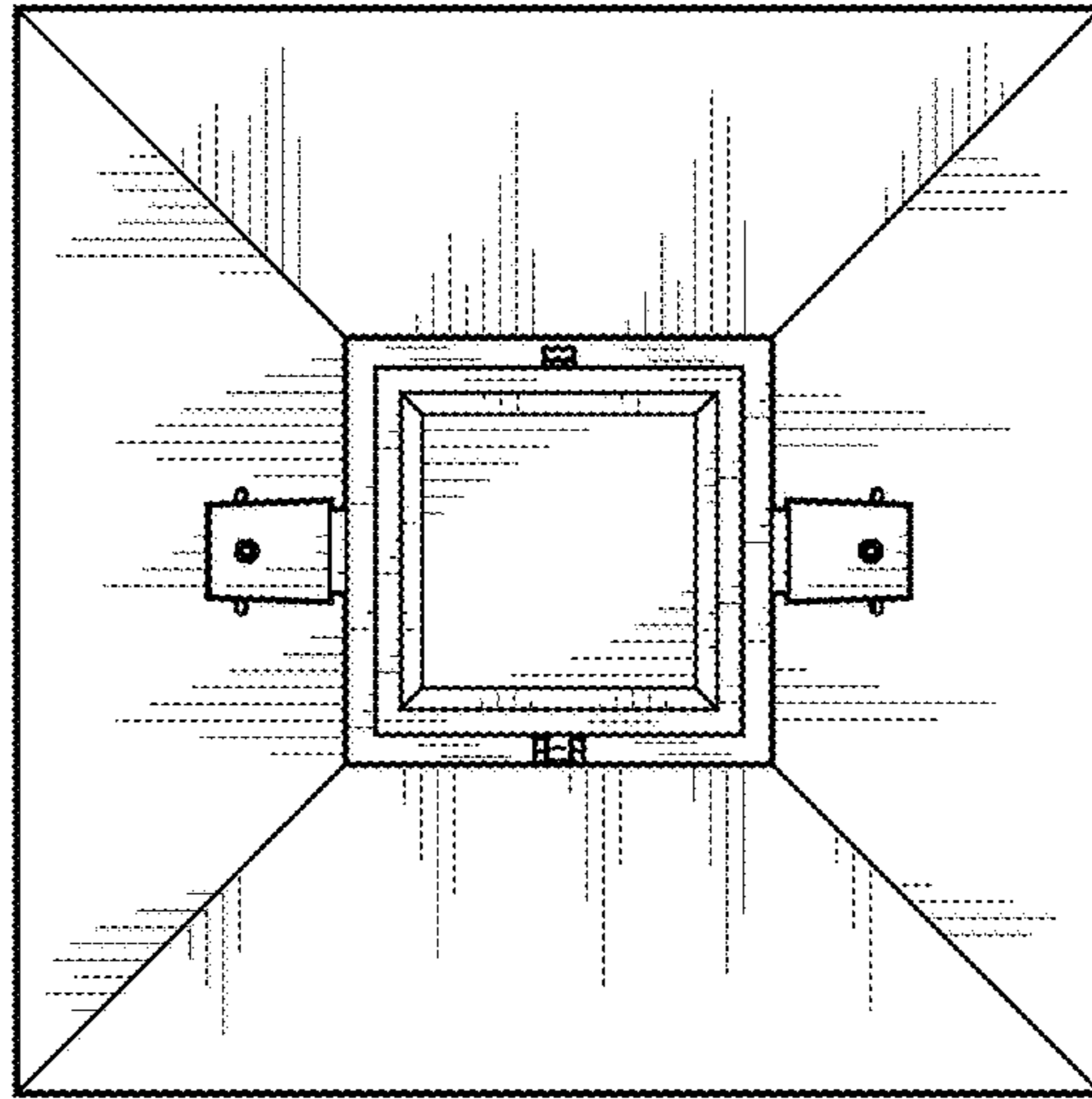


FIG. 5

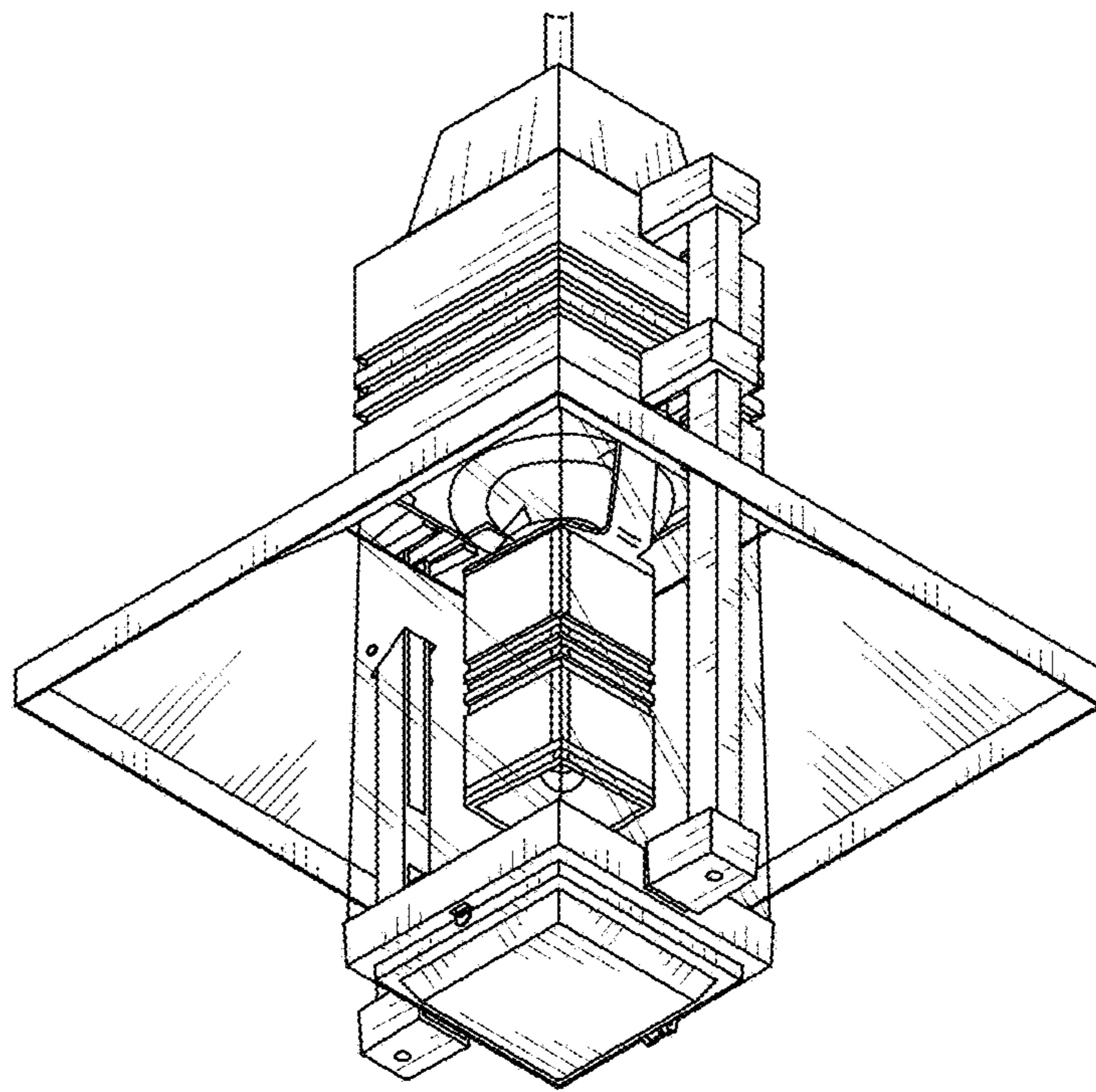


FIG. 6