



US00D785845S

(12) **United States Design Patent**  
**Lazalier et al.**

(10) **Patent No.:** **US D785,845 S**

(45) **Date of Patent:** **\*\* May 2, 2017**

(54) **FLOODLIGHT**

(71) Applicant: **Hubbell Incorporated**, Shelton, CT  
(US)

(72) Inventors: **Ray M. Lazalier**, Lake St. Louis, MO  
(US); **Matthew R. Bednara**,  
Collinsville, IL (US)

(73) Assignee: **Hubbell Incorporated**, Shelton, CT  
(US)

(\*\*) Term: **15 Years**

(21) Appl. No.: **29/579,128**

(22) Filed: **Sep. 28, 2016**

**Related U.S. Application Data**

(60) Division of application No. 29/533,648, filed on Jul.  
20, 2015, now Pat. No. Des. 770,658, which is a  
continuation of application No. 29/448,900, filed on  
Mar. 14, 2013, now Pat. No. Des. 734,886.

(51) **LOC (10) Cl.** ..... **26-03**

(52) **U.S. Cl.**  
USPC ..... **D26/63**

(58) **Field of Classification Search**

USPC ..... D26/1, 24, 61, 63, 65, 85, 92  
CPC ..... F21V 21/14; F21V 15/01; F21V 14/02;  
F21V 21/30; F21V 21/00; F21V 14/00;  
F21S 8/00; F21S 8/003; F21S 8/043;  
F21Y 2105/001

See application file for complete search history.

(56) **References Cited**

**U.S. PATENT DOCUMENTS**

D645,594 S \* 9/2011 Grawe ..... D26/63  
D650,505 S \* 12/2011 Oka ..... D26/63

D659,867 S \* 5/2012 Zhan ..... D26/24  
D695,435 S \* 12/2013 Pedersen ..... D26/63  
D711,030 S \* 8/2014 Zhan ..... D26/65  
D711,576 S \* 8/2014 Zhan ..... D26/63

\* cited by examiner

*Primary Examiner* — Brian N Vinson

(74) *Attorney, Agent, or Firm* — Michael Best &  
Friedrich, LLP

(57) **CLAIM**

We claim the ornamental design for a floodlight, as shown  
and described.

**DESCRIPTION**

FIG. 1 is a perspective view of a floodlight showing our new  
design.

FIG. 2 is a front view of the floodlight shown in FIG. 1.

FIG. 3 is a right side view of the floodlight shown in FIG.  
1.

FIG. 4 is a left side view of the floodlight shown in FIG. 1.

FIG. 5 is a top view of the floodlight shown in FIG. 1.

FIG. 6 is a bottom view of the floodlight shown in FIG. 1.

FIG. 7 is a perspective view of a floodlight showing our new  
design.

FIG. 8 is a front view of the floodlight shown in FIG. 7.

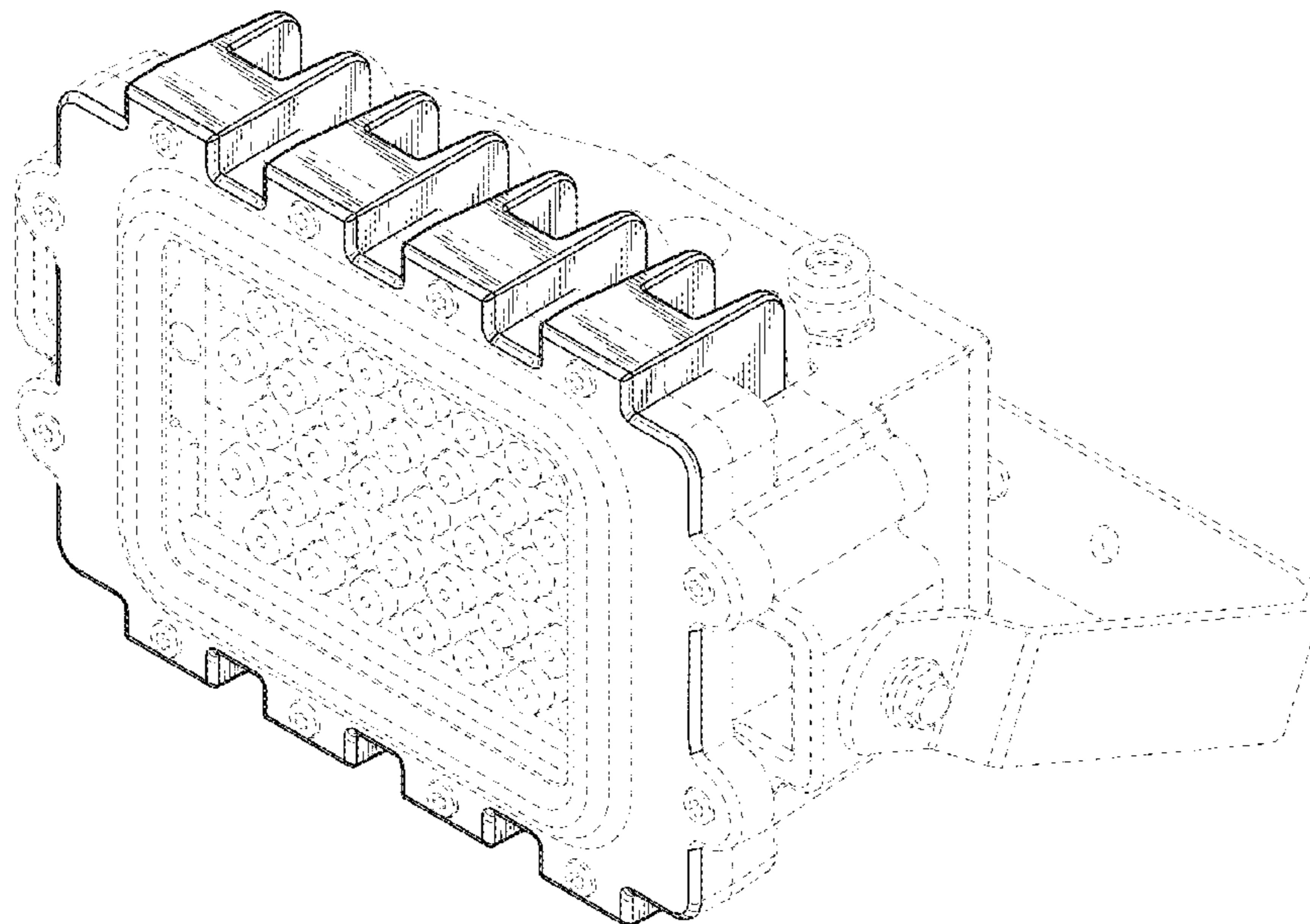
FIG. 9 is a right side view of the floodlight shown in FIG.  
7.

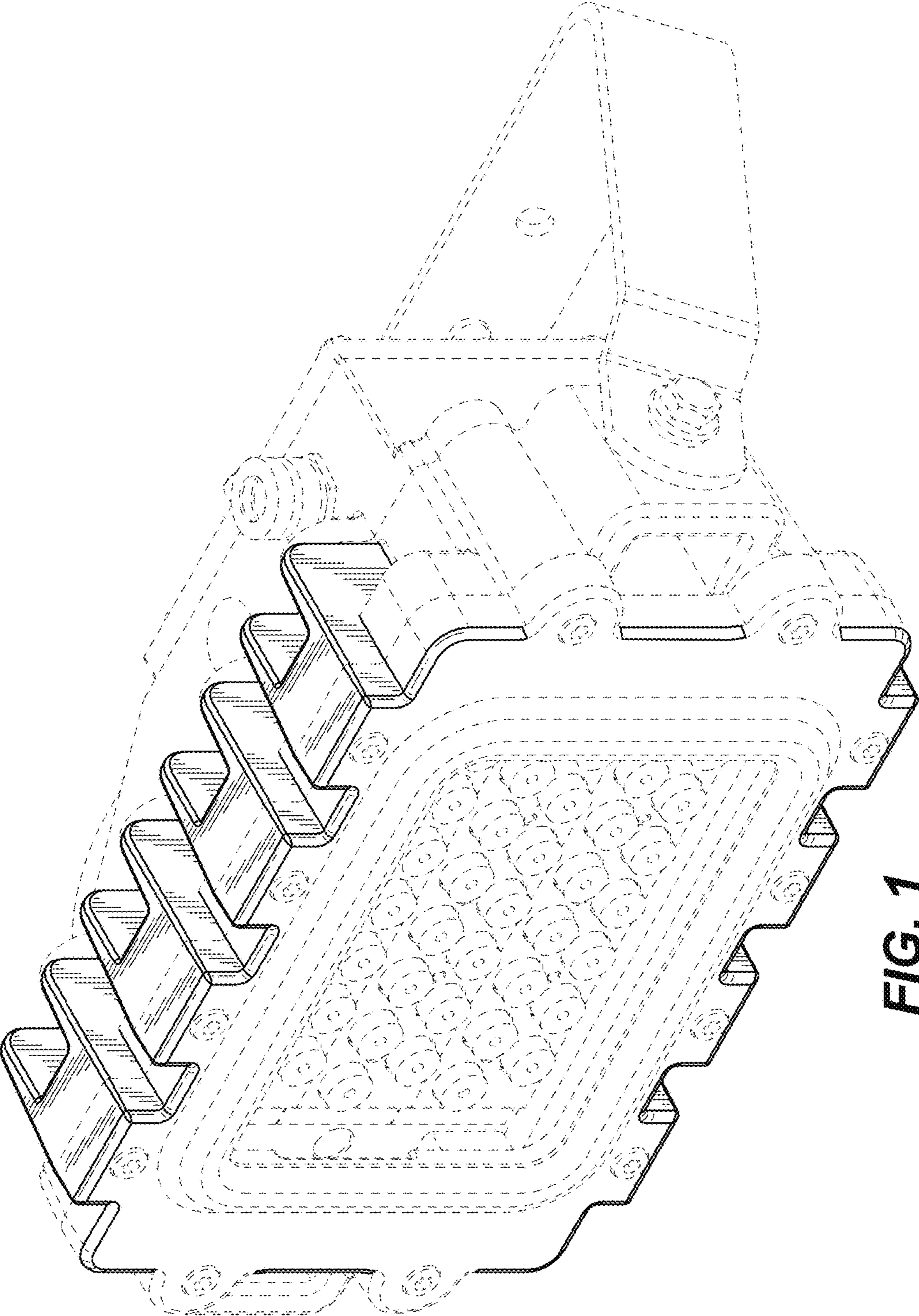
FIG. 10 is a left side view of the floodlight shown in FIG.  
7.

FIG. 11 is a top view of the floodlight shown in FIG. 7; and,  
FIG. 12 is a bottom view of the floodlight shown in FIG. 7.

The back views form no part of the claimed design. The  
elements shown in broken lines are included for the purpose  
of illustrating environment and form no part of the claimed  
design.

**1 Claim, 10 Drawing Sheets**





**FIG. 1**

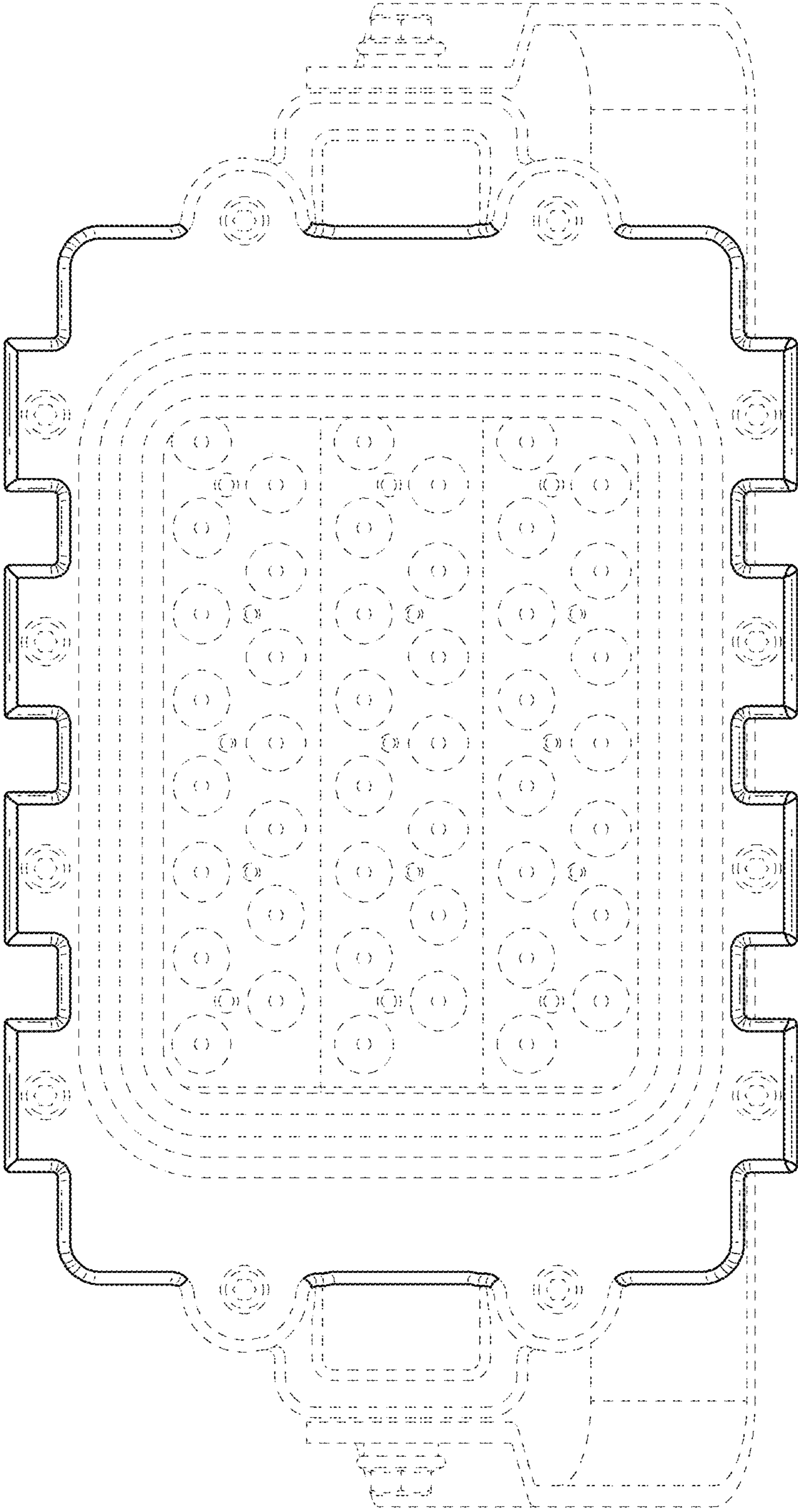
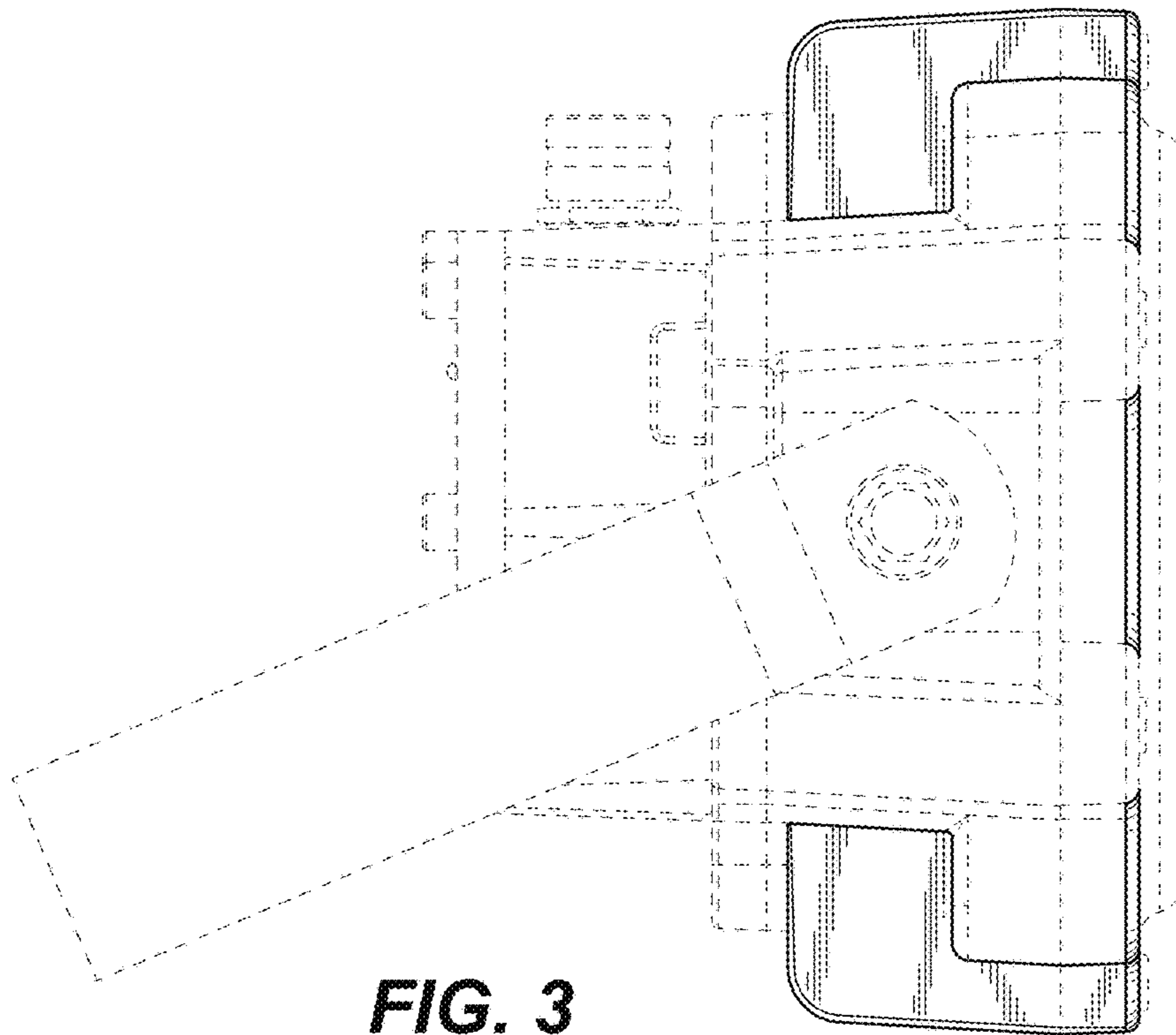
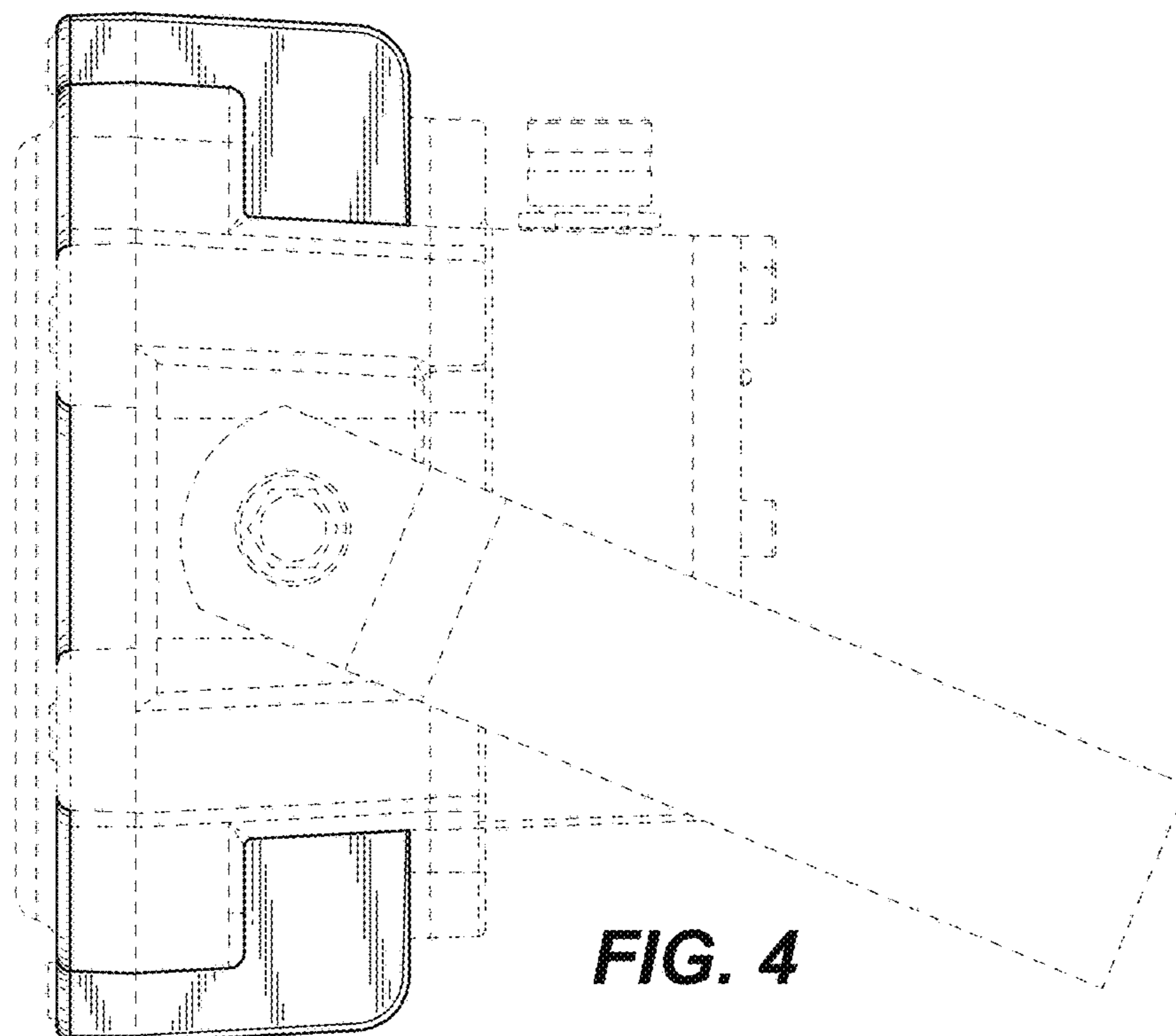


FIG. 2



**FIG. 3**



**FIG. 4**

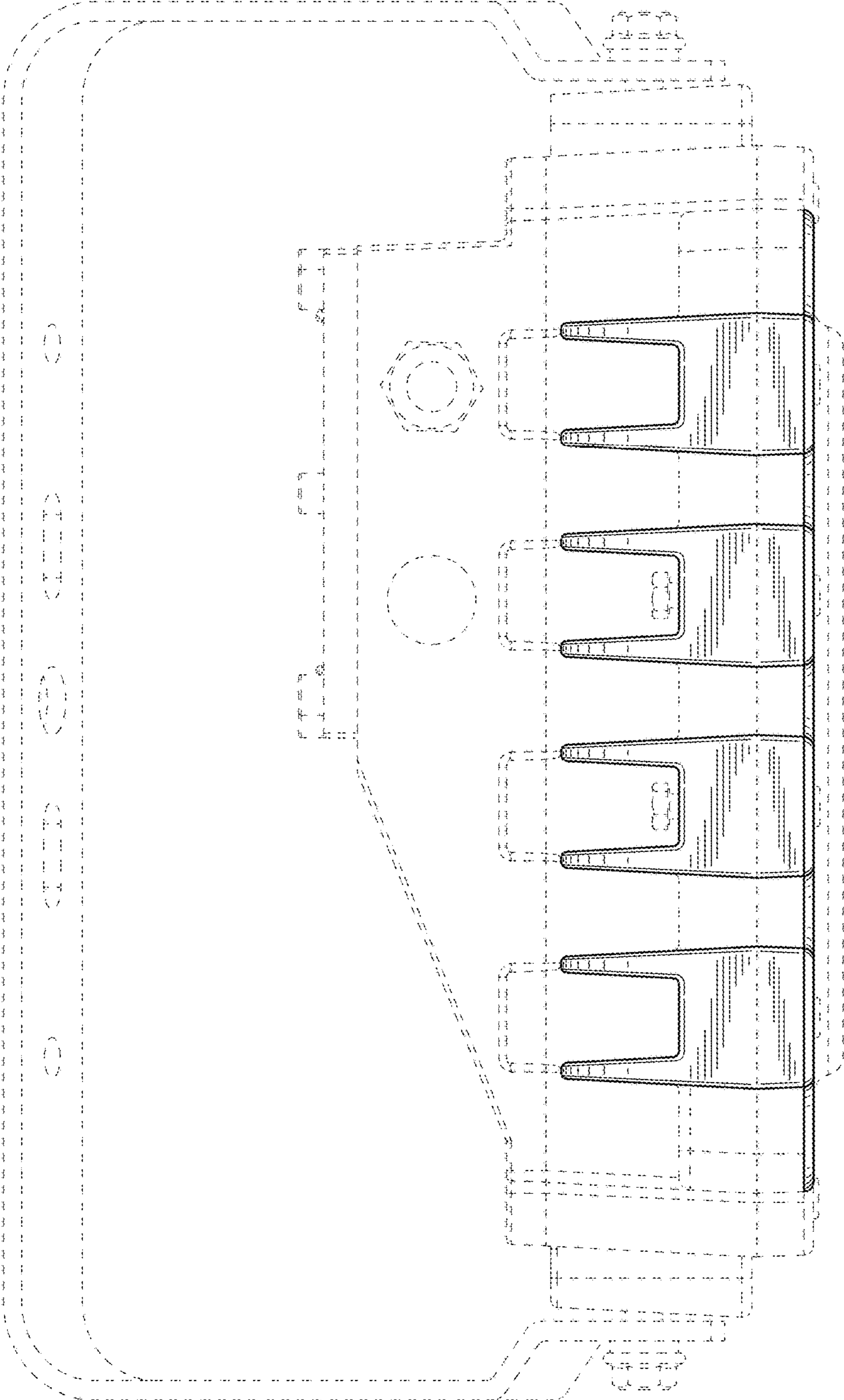
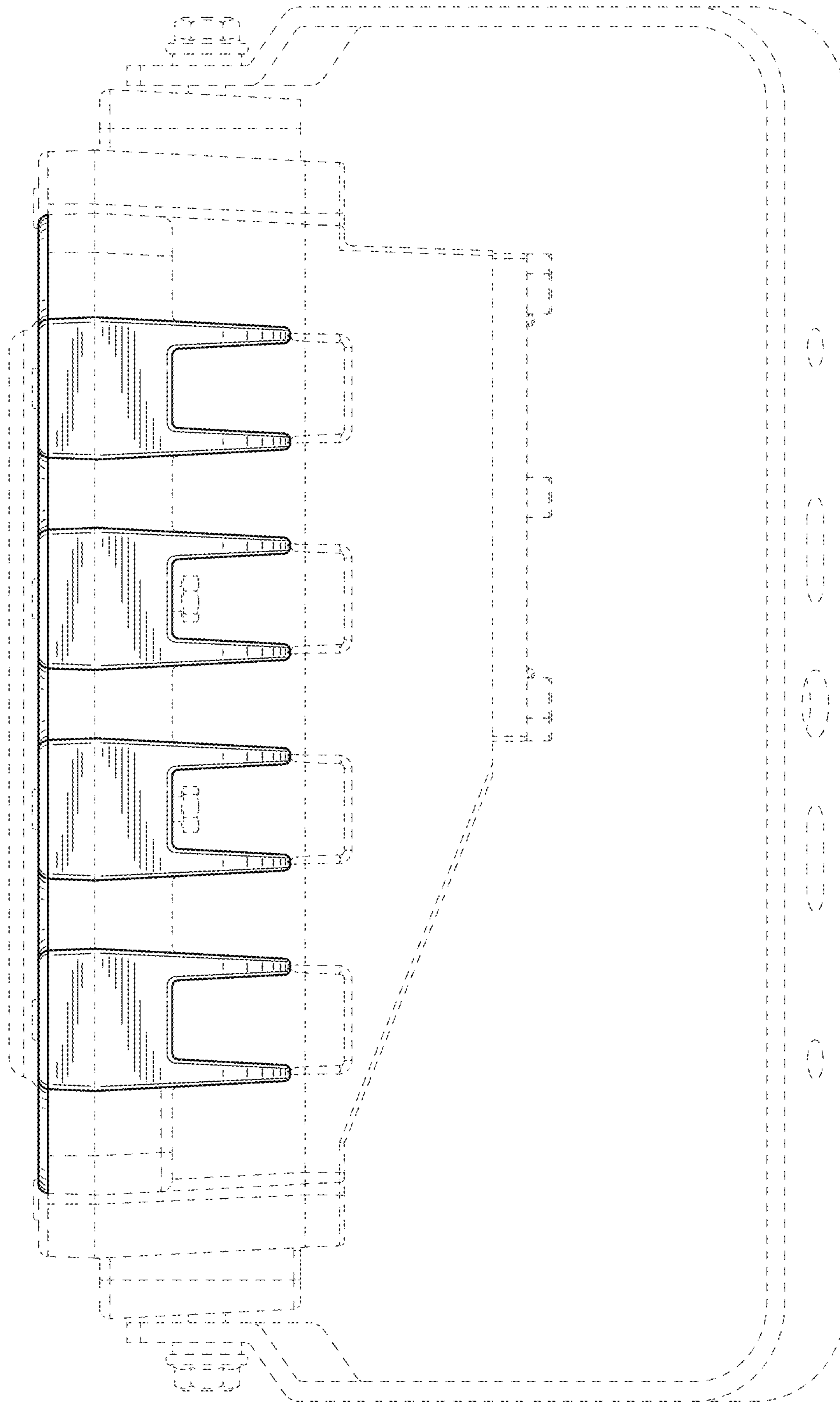


FIG. 5



**FIG. 6**

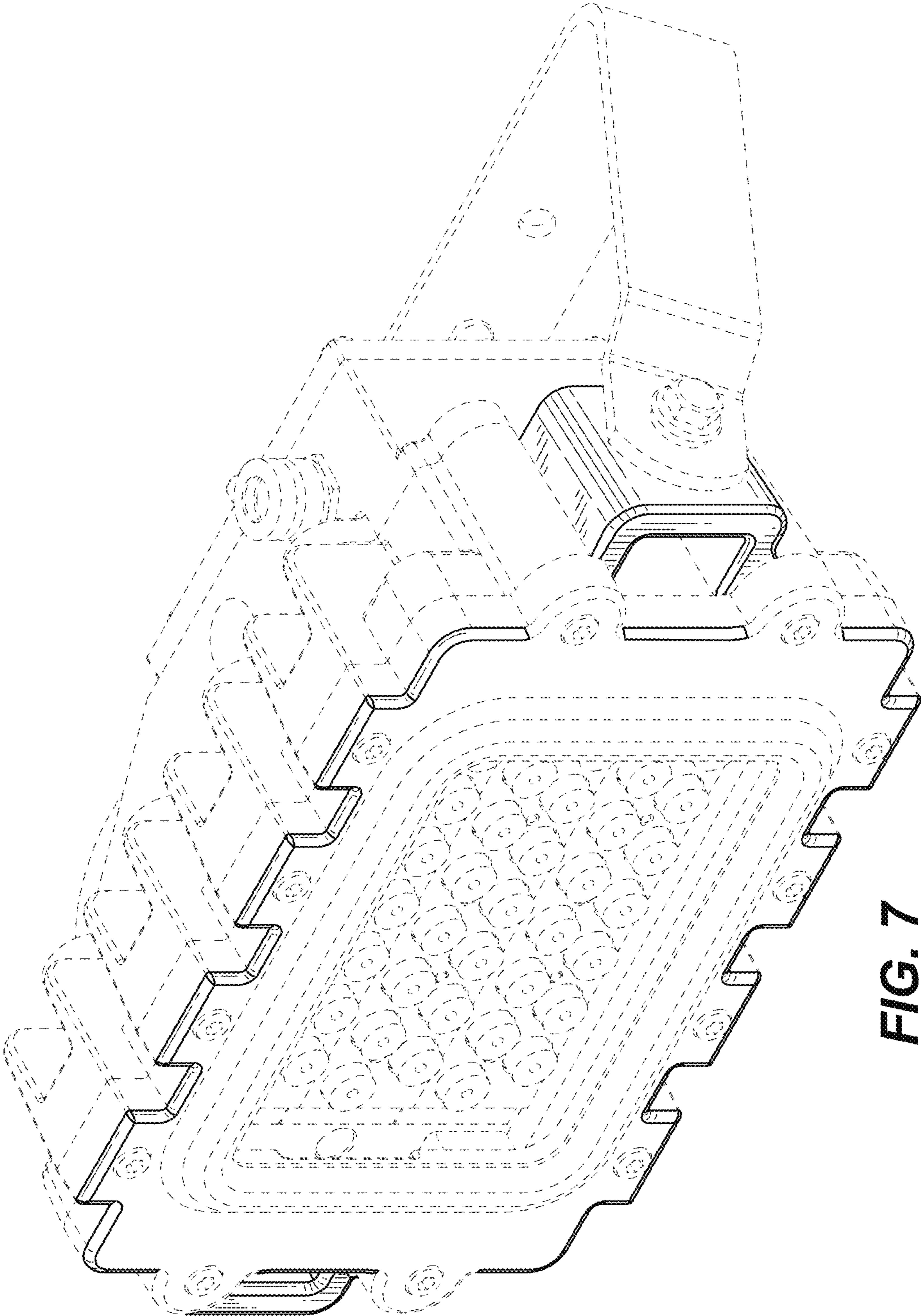
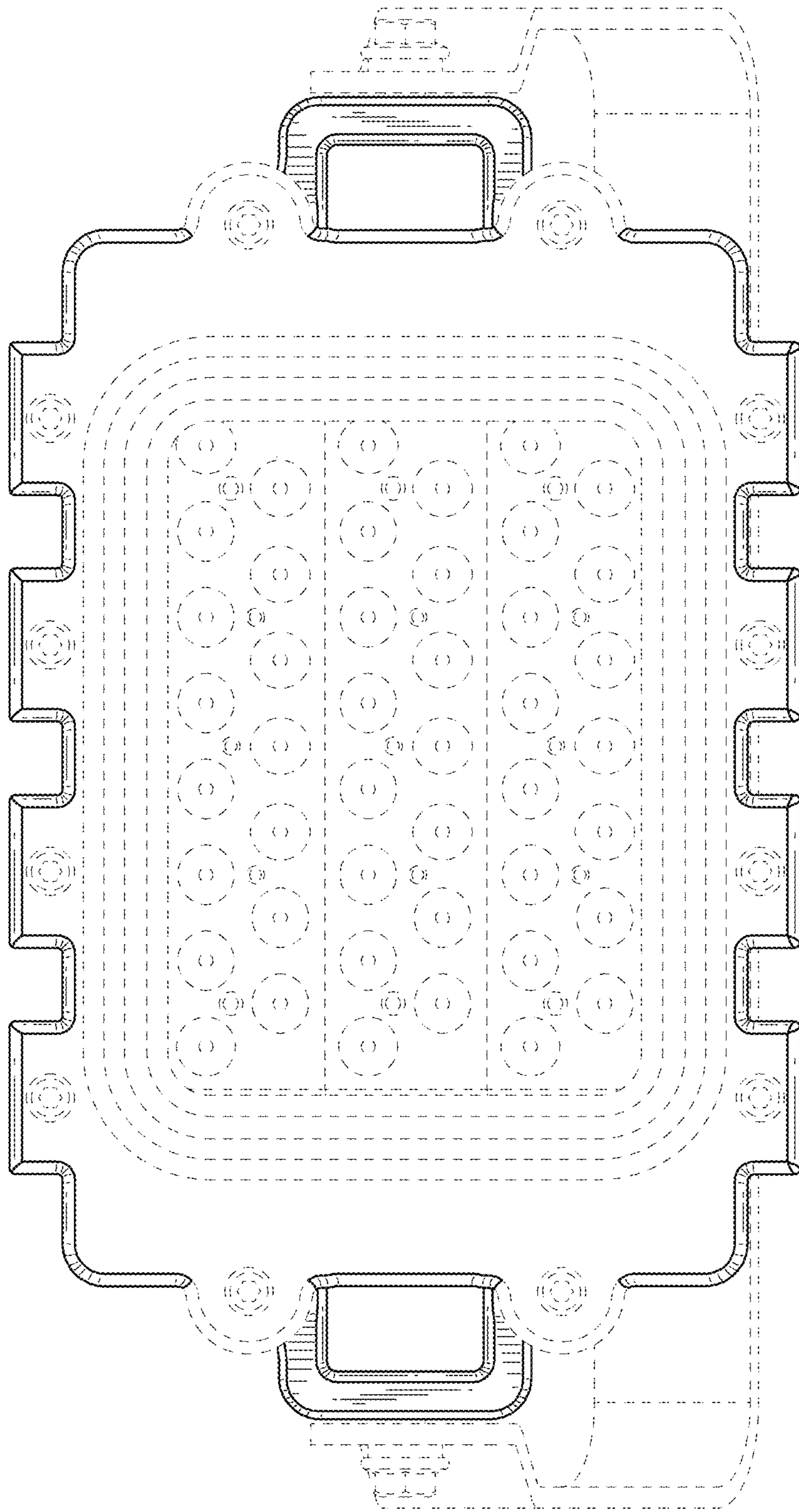
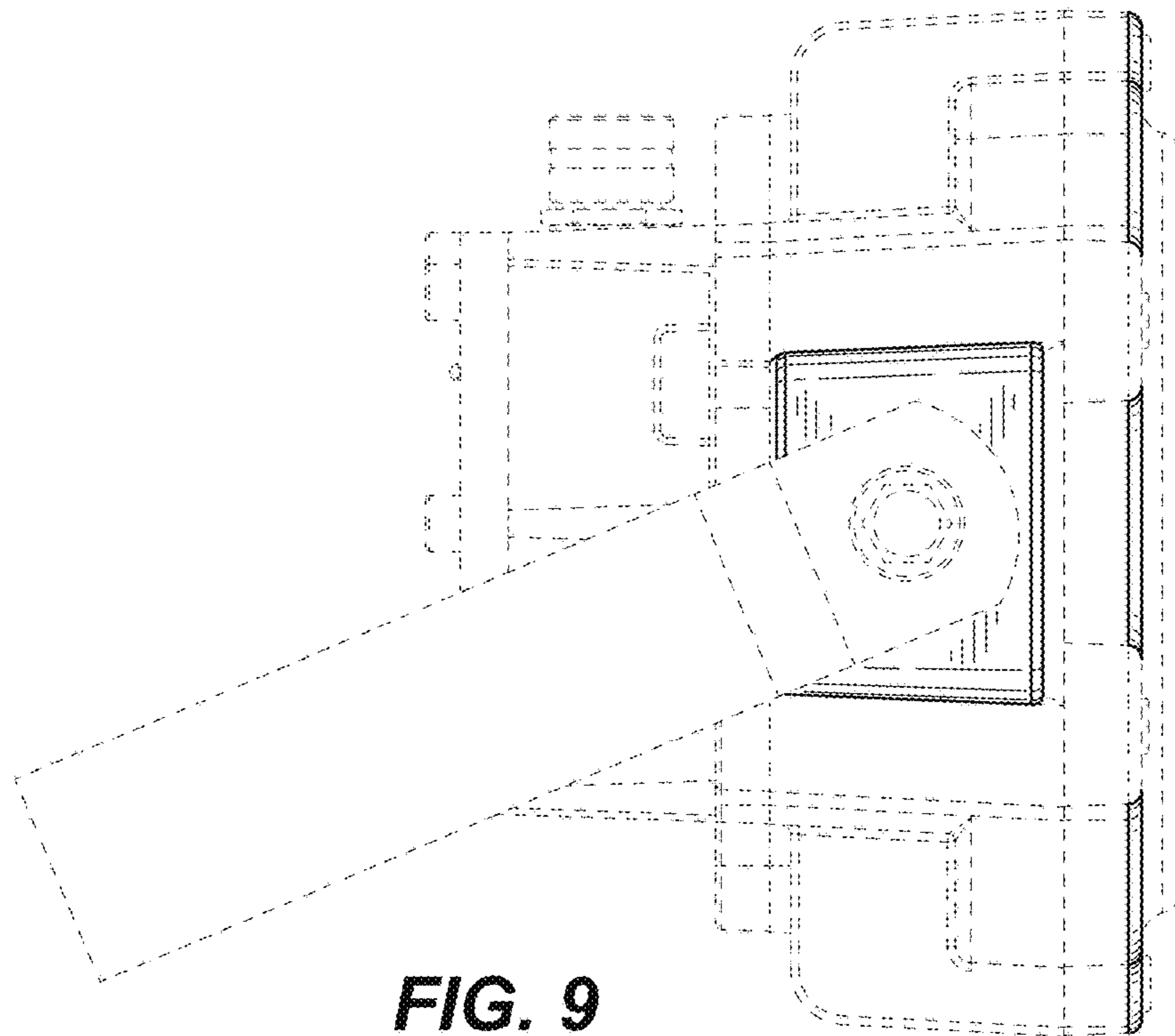


FIG. 7

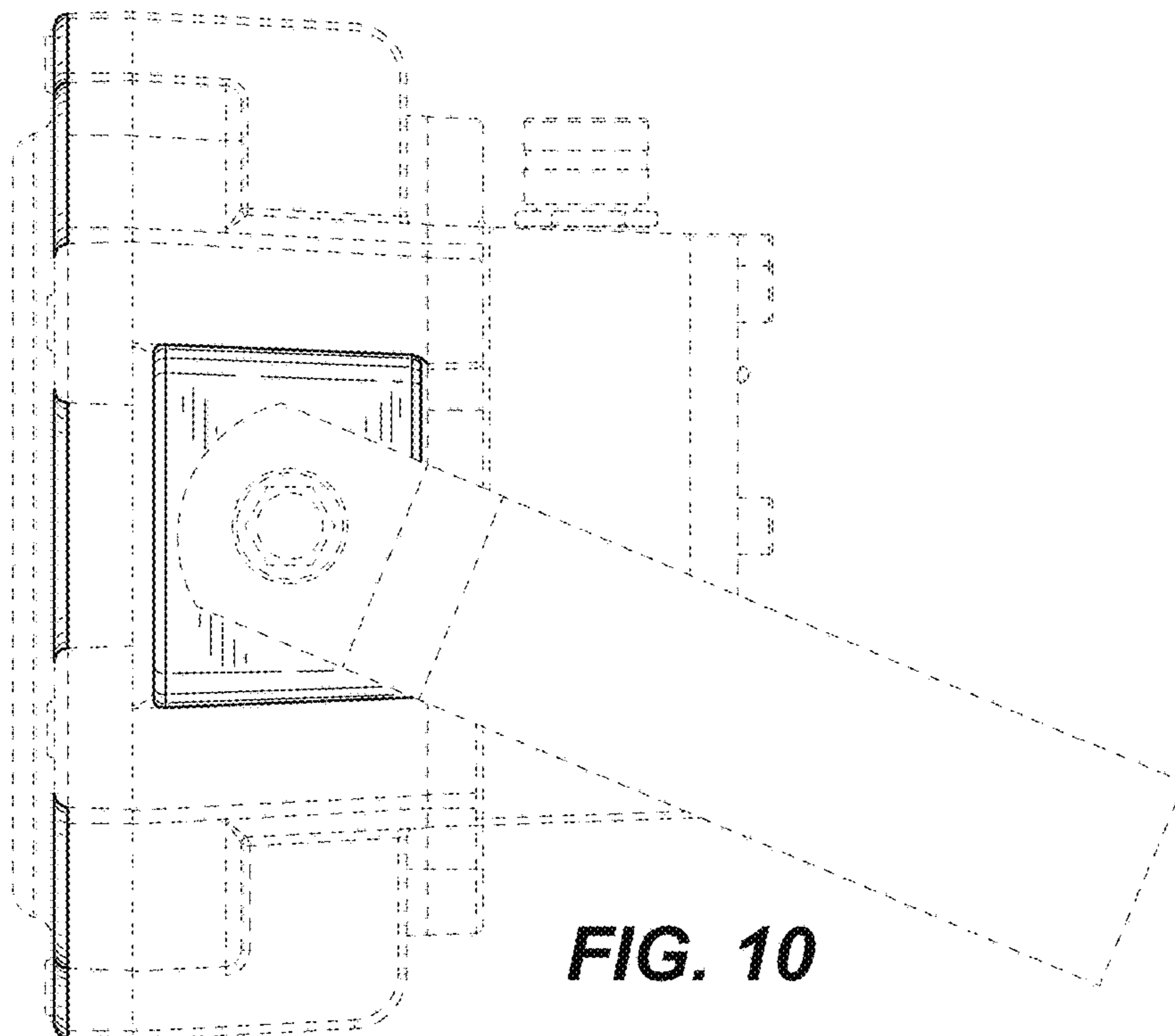


**FIG. 8**





**FIG. 9**



**FIG. 10**

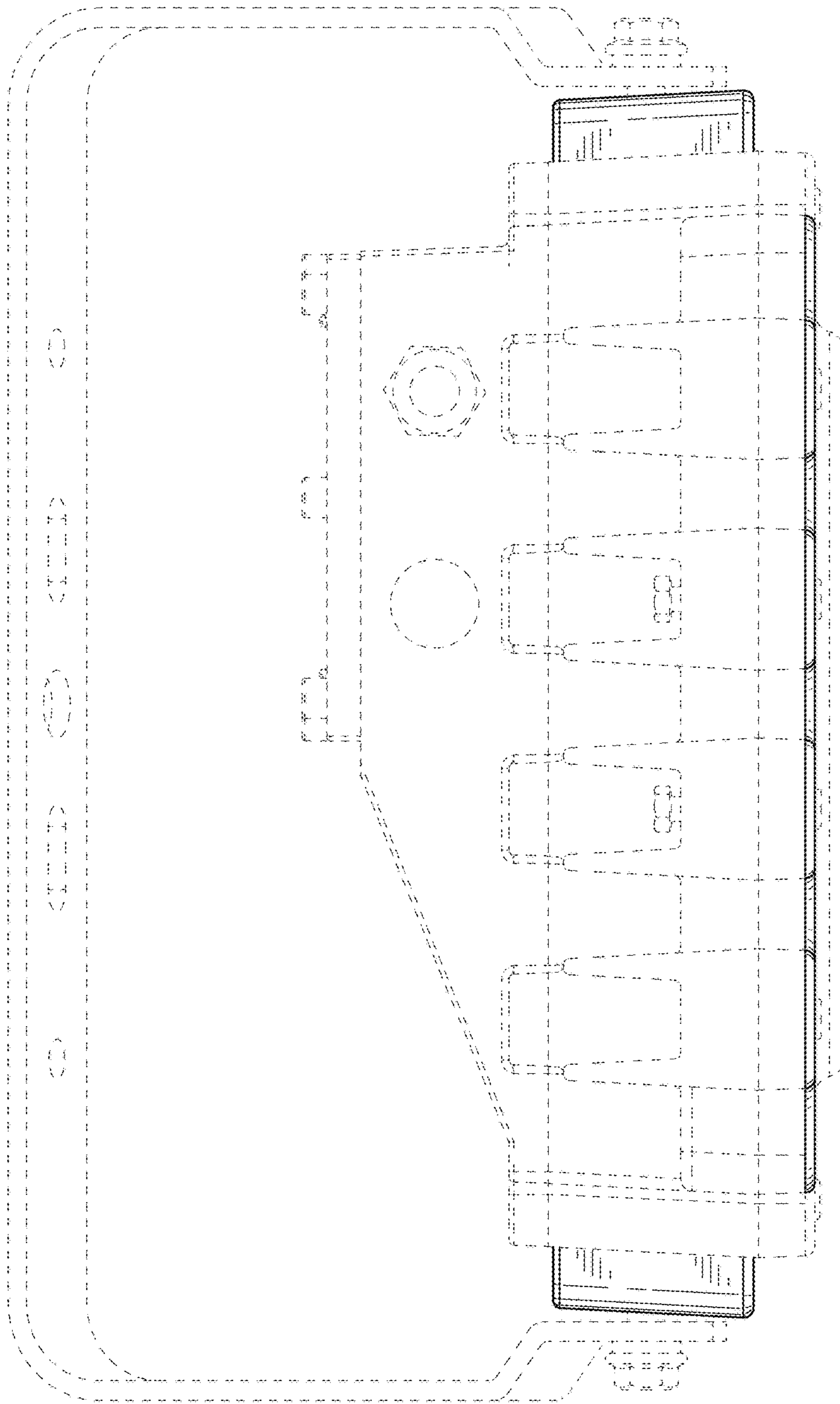


FIG. 11

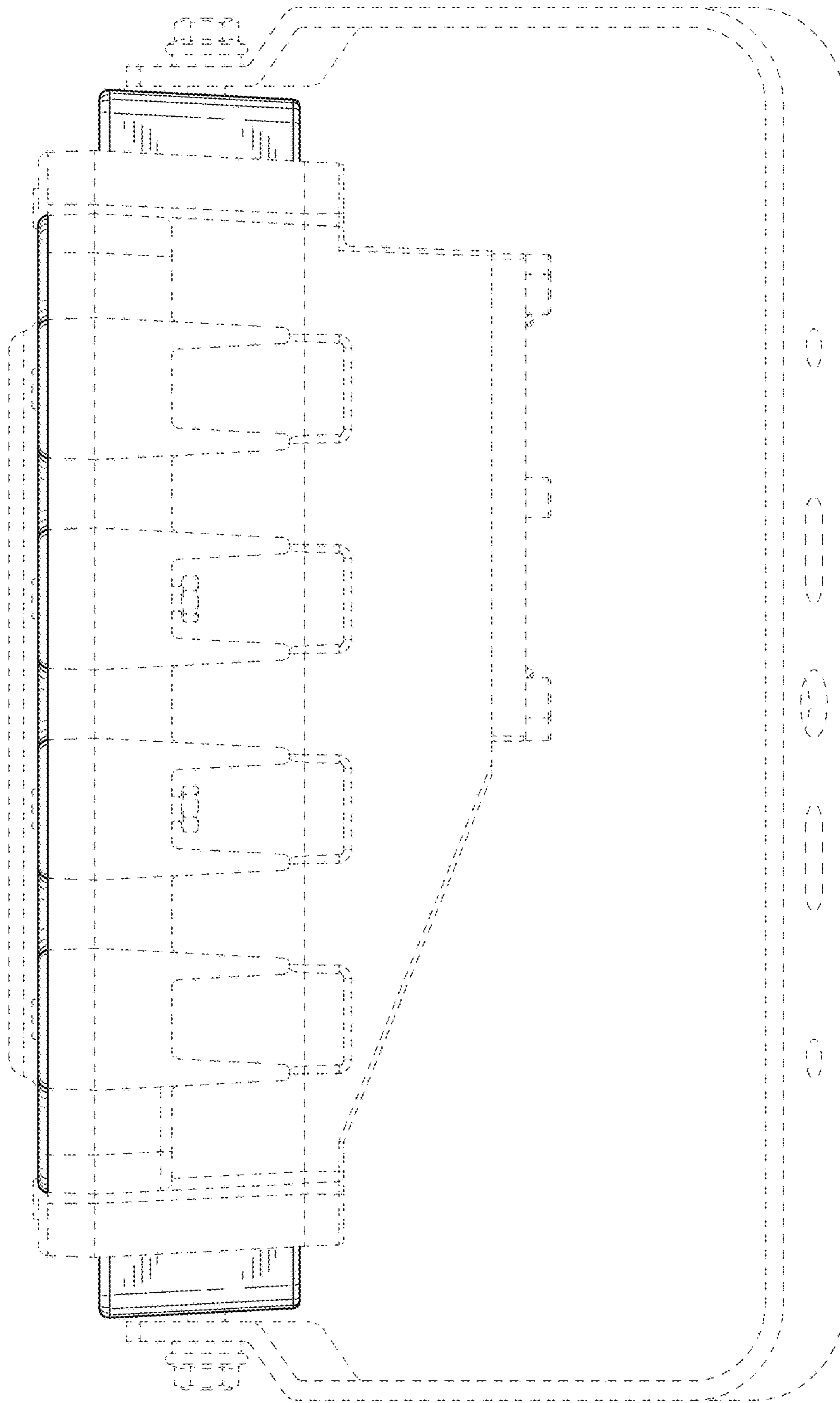


FIG. 12