



US00D785844S

(12) **United States Design Patent**  
**Grey**

(10) **Patent No.:** **US D785,844 S**

(45) **Date of Patent:** **\*\* May 2, 2017**

(54) **CLIP-ON WORK LIGHT FOR MECHANICS**

(71) Applicant: **Robert G. Grey**, Toronto (CA)

(72) Inventor: **Robert G. Grey**, Toronto (CA)

(\*\*) Term: **15 Years**

(21) Appl. No.: **29/505,363**

(22) Filed: **Dec. 2, 2015**

(51) **LOC (10) Cl.** ..... **26-03**

(52) **U.S. Cl.**  
USPC ..... **D26/60**

(58) **Field of Classification Search**  
USPC ..... D26/1, 24, 60, 61, 63, 65, 85, 92, 93,  
D26/104, 106  
CPC ..... F21V 21/14; F21V 15/01; F21V 14/02;  
F21V 21/30; F21V 21/00; F21V 14/00;  
F21V 21/145; F21V 21/60; F21S 8/00;  
F21S 8/003; F21S 8/043; F21Y 2105/001  
See application file for complete search history.

(56) **References Cited**

**U.S. PATENT DOCUMENTS**

- 4,272,803 A \* 6/1981 Johnson ..... F21V 21/145  
362/344
- D348,743 S \* 7/1994 Leen ..... D26/60

- D524,975 S \* 7/2006 Oas ..... D26/56
- 7,850,329 B2 \* 12/2010 Henry ..... F21V 21/406  
362/191
- D661,418 S \* 6/2012 Ko ..... D26/60
- D754,900 S \* 4/2016 Mumma ..... D26/60

\* cited by examiner

*Primary Examiner* — Brian N Vinson

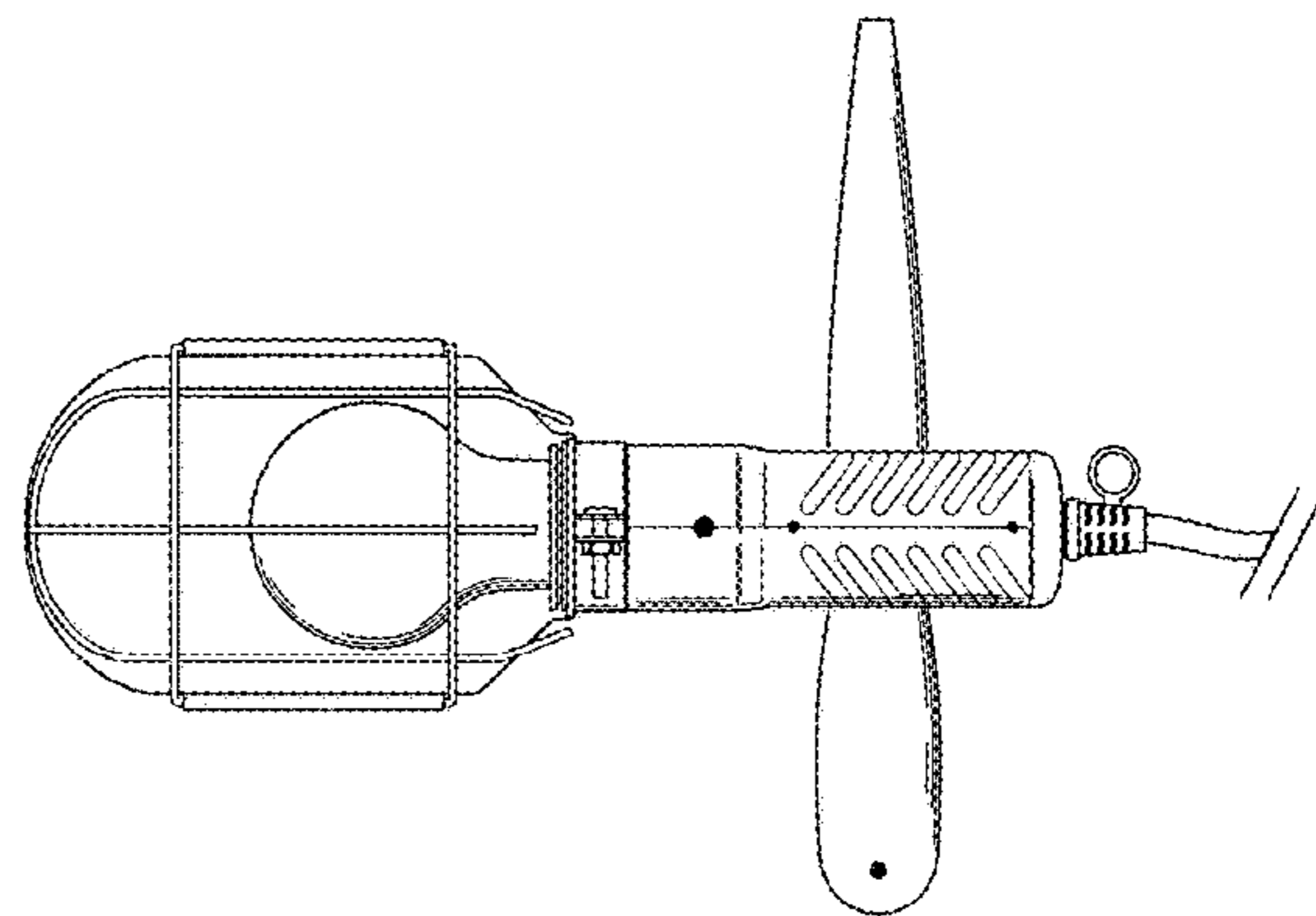
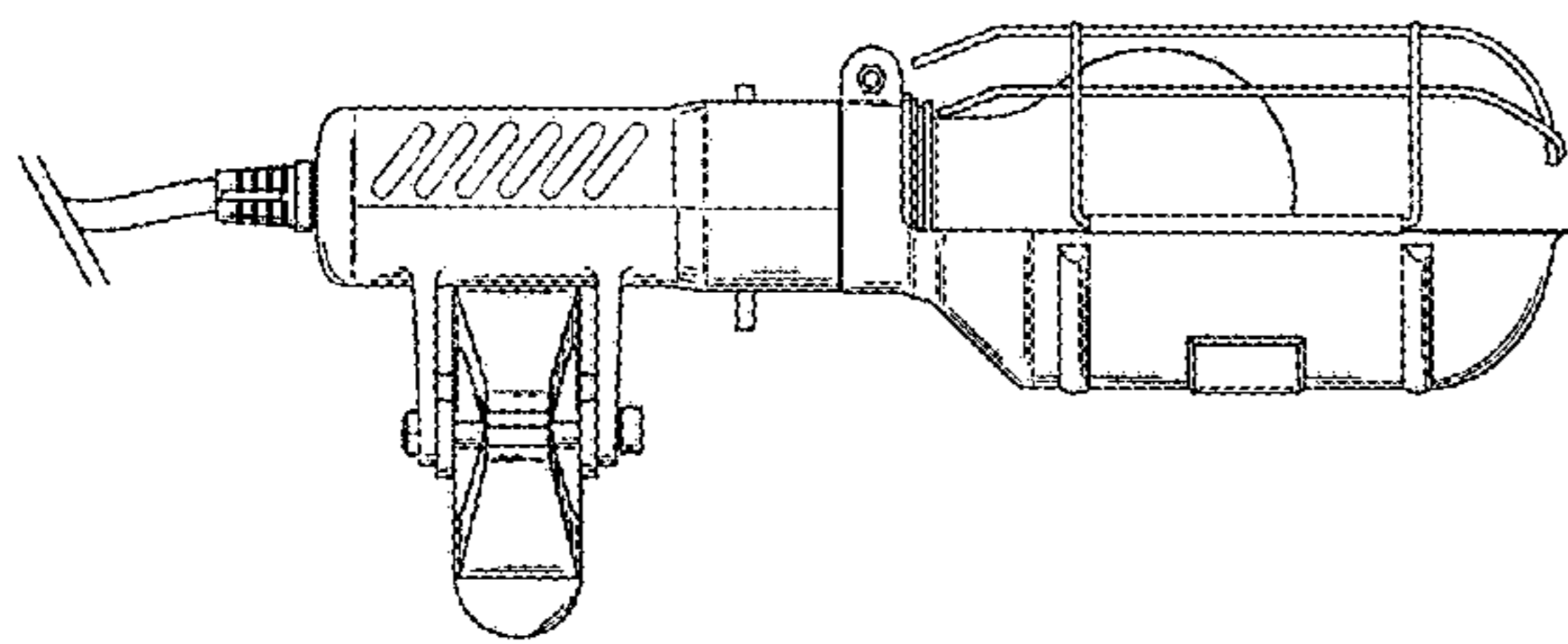
(57) **CLAIM**

The ornamental design for a clip-on work light for mechanics, as shown and described.

**DESCRIPTION**

FIG. 1 is a left side elevational view of a clip-on work light for mechanics showing my new design; FIG. 2 is a right side elevational view thereof; FIG. 3 is a bottom plan view thereof; FIG. 4 is a top plan view thereof; FIG. 5 is a front elevational view thereof; and, FIG. 6 is a rear elevational view thereof.

**1 Claim, 6 Drawing Sheets**



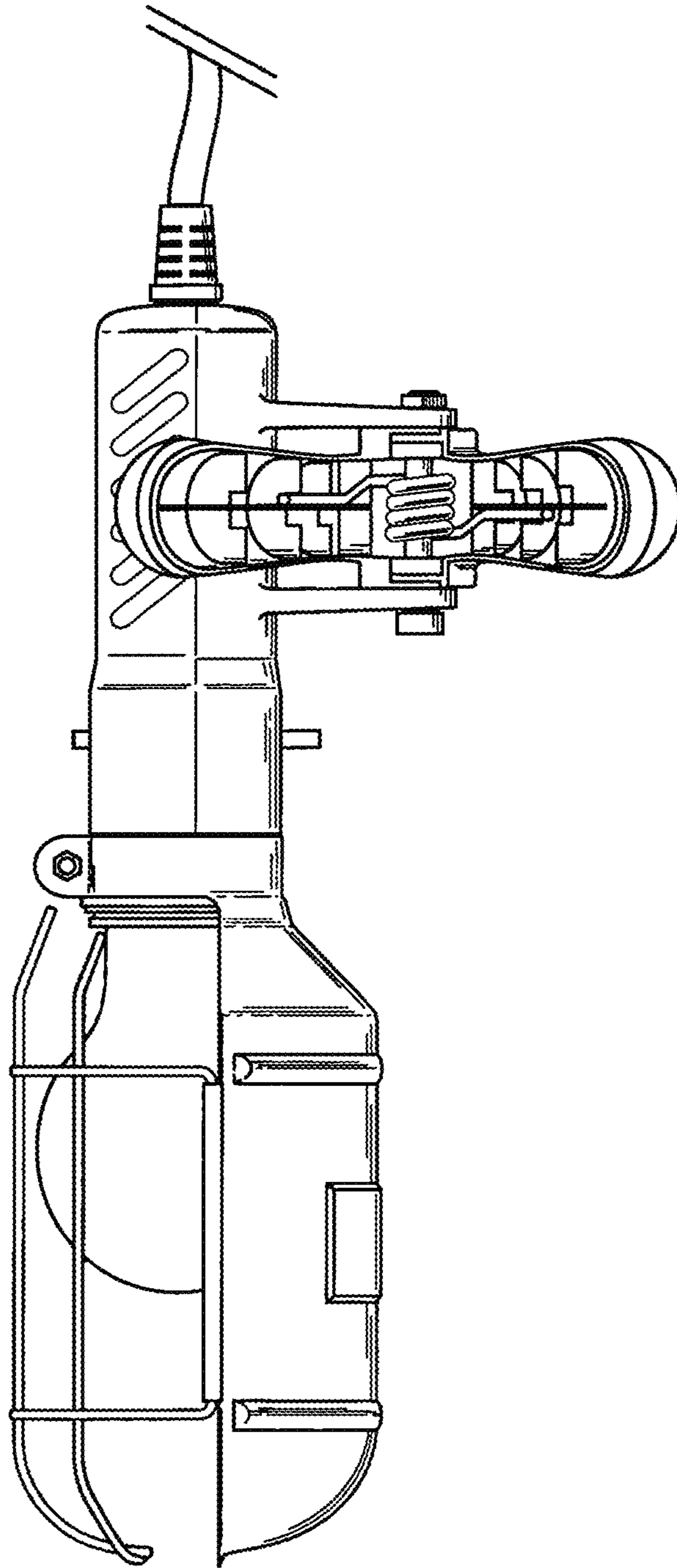


Figure 1

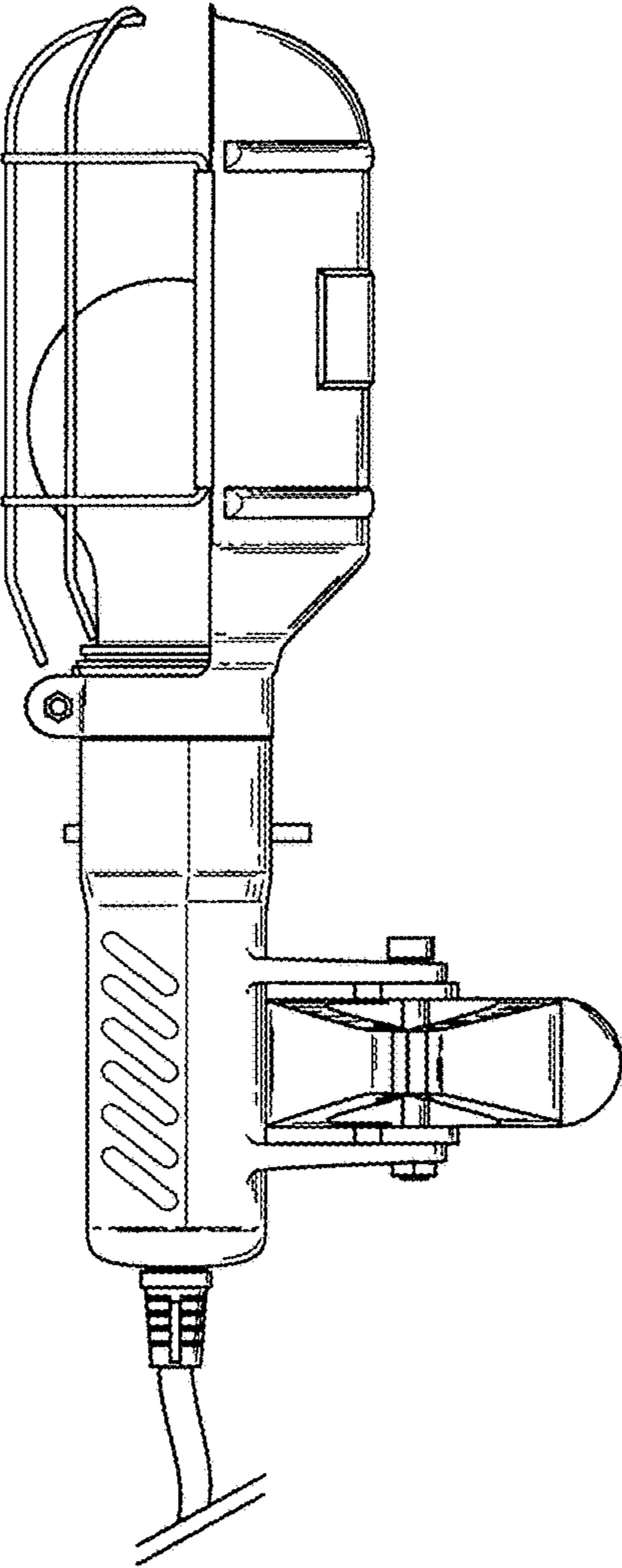


Figure 2

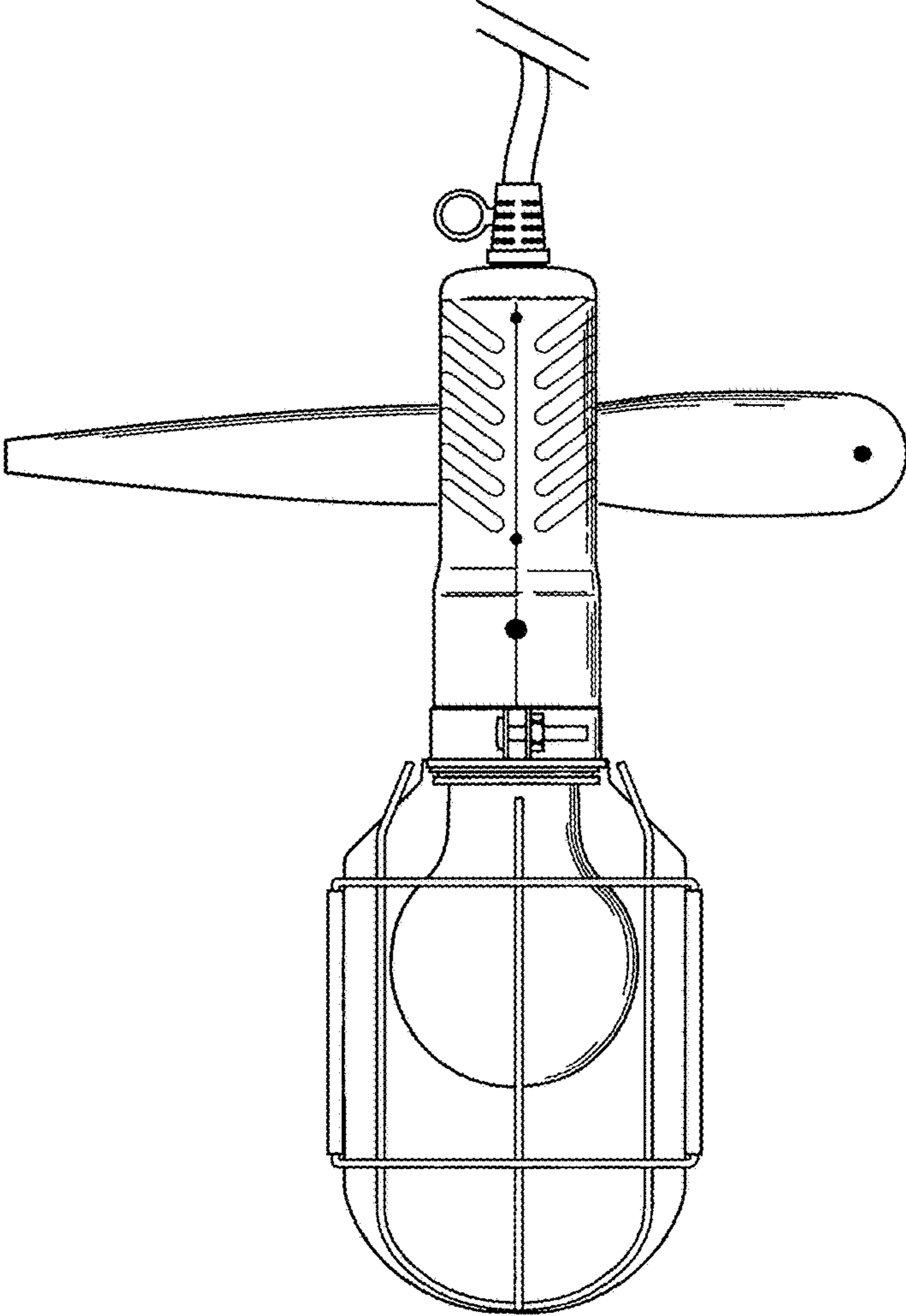


Figure 3

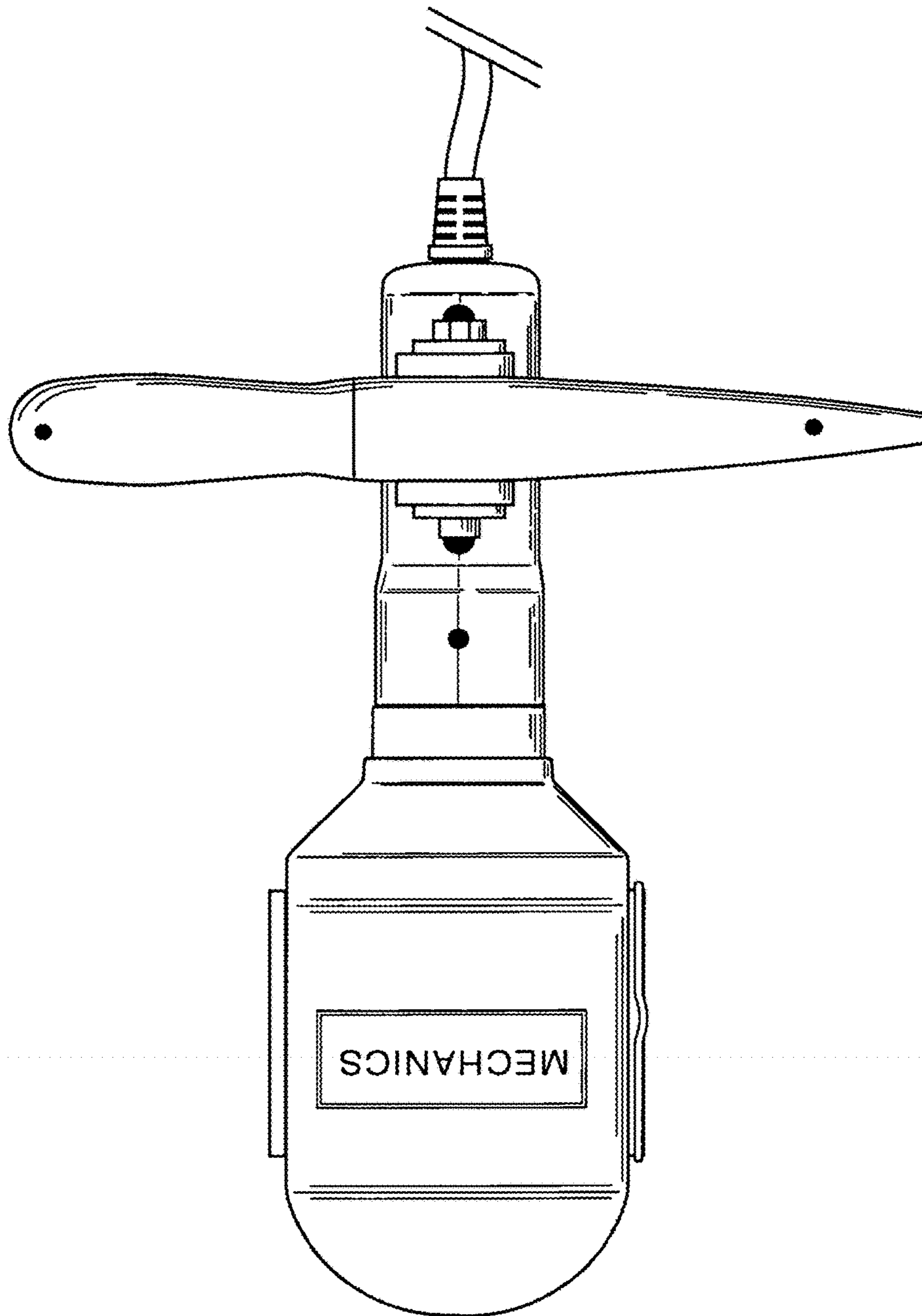


Figure 4

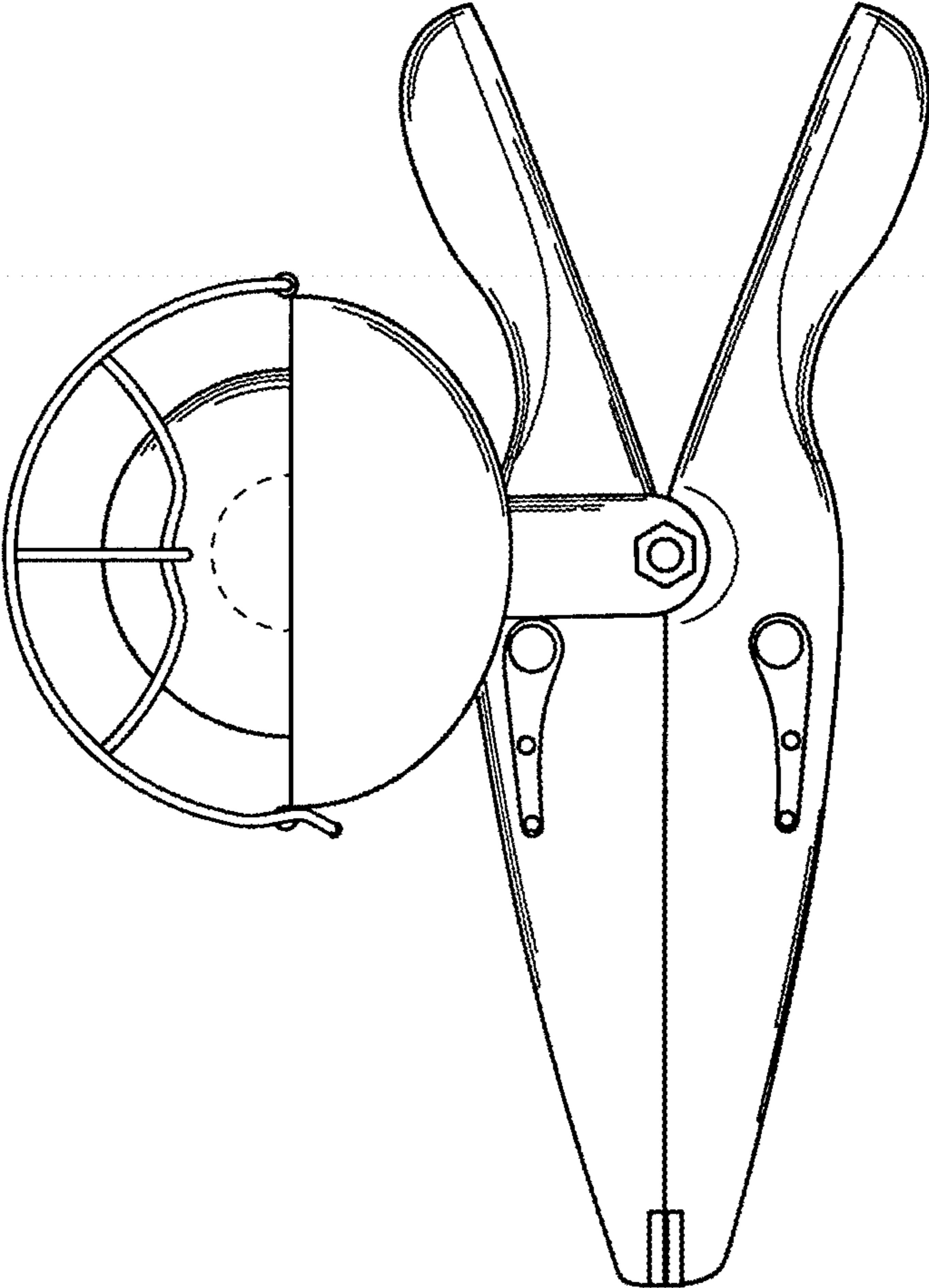


Figure 5



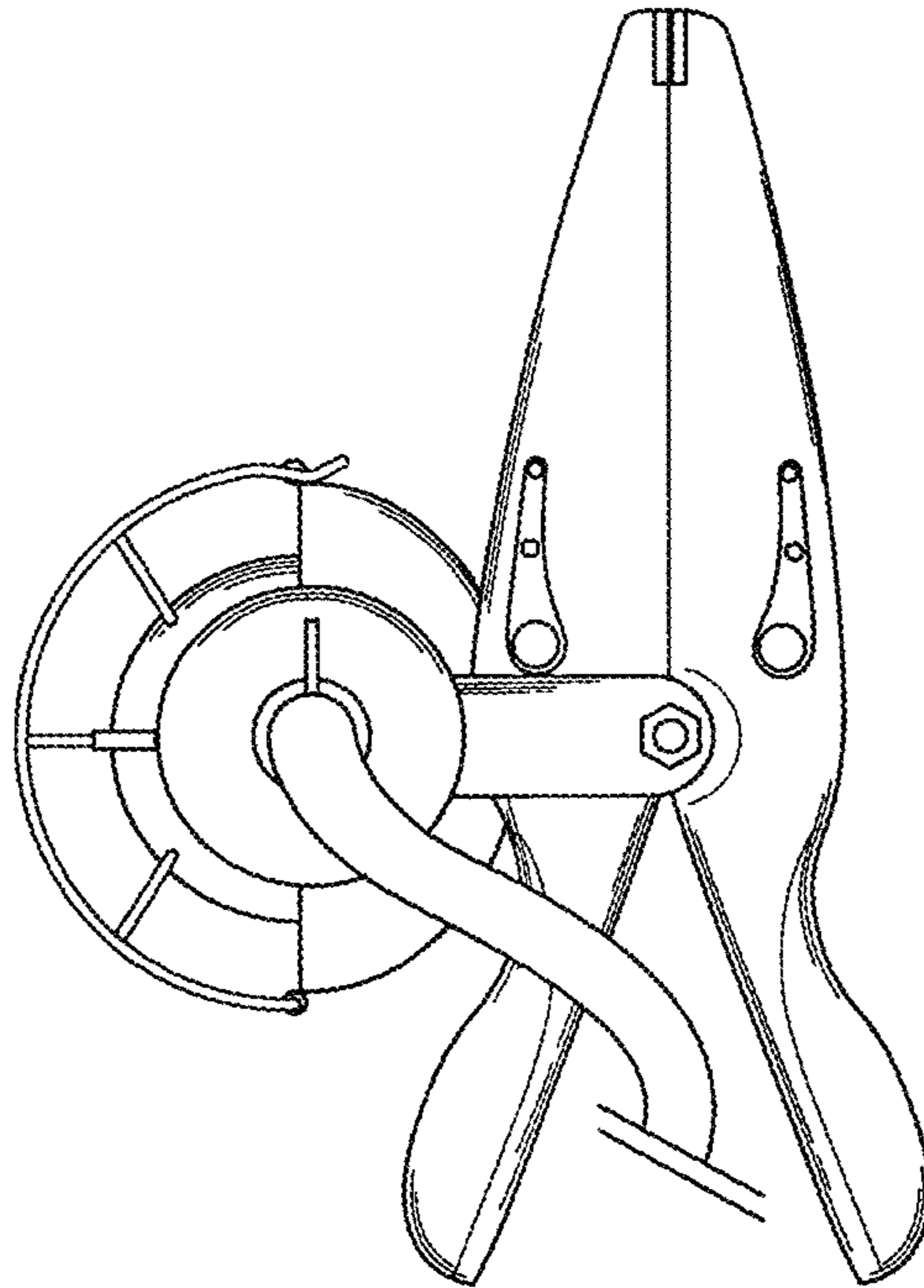


Figure 6