



US00D785843S

(12) **United States Design Patent** (10) **Patent No.:** **US D785,843 S**
Wen (45) **Date of Patent:** **** May 2, 2017**

- (54) **FLASHLIGHT**
- (71) Applicant: **C & A MARKETING, INC.**,
Ridgefield Park, NJ (US)
- (72) Inventor: **Chen Wen**, Shenzhen (CN)
- (73) Assignee: **C & A Marketing, Inc.**, Edison, NJ
(US)
- (**) Term: **15 Years**
- (21) Appl. No.: **29/564,331**
- (22) Filed: **May 12, 2016**
- (51) **LOC (10) Cl.** **26-02**
- (52) **U.S. Cl.**
USPC **D26/49**
- (58) **Field of Classification Search**
USPC D26/37, 38, 40, 42, 45, 46, 49, 51
CPC F21L 2003/00; F21L 4/00; F21L 4/005;
F21L 4/02; F21L 4/025; F21L 4/027;
F21L 4/04; F21L 4/08; F21L 2005/00;
F21L 7/00; F21L 11/00; F21L 13/00;
F21L 13/04; F21L 13/08; F21L 14/02;
F21L 17/00; F21L 19/00
See application file for complete search history.

- (56) **References Cited**
U.S. PATENT DOCUMENTS
D57,760 S 5/1921 Arnoll
D228,519 S * 10/1973 Moore D26/49
D241,971 S 10/1976 Brindley
D294,644 S * 3/1988 Ohashi D26/49
D299,274 S * 1/1989 Ohashi D26/49
D300,667 S * 4/1989 Ohashi D26/49
D307,057 S * 4/1990 Seok D26/49
D314,057 S * 1/1991 Naldi D26/49

- D356,170 S * 3/1995 Ohtaka D26/49
- D410,761 S 6/1999 Chiu
- D553,265 S * 10/2007 Maxik D26/2
- D553,266 S * 10/2007 Maxik D26/2
- D577,451 S 9/2008 Shiu
- D590,972 S 4/2009 Palmer et al.
- D596,773 S 7/2009 Liu
- 7,896,518 B2 3/2011 Holmes et al.
- D639,469 S * 6/2011 Zhuang D26/37
- D641,901 S * 7/2011 Opolka D26/49
- D651,321 S * 12/2011 Marchese D24/209
- D685,940 S * 7/2013 Lee D26/49
- D693,041 S 11/2013 van der Lande
- D709,232 S 7/2014 Inskeep
- D717,481 S * 11/2014 Yong D26/49
- D747,520 S * 1/2016 Hsu D26/37

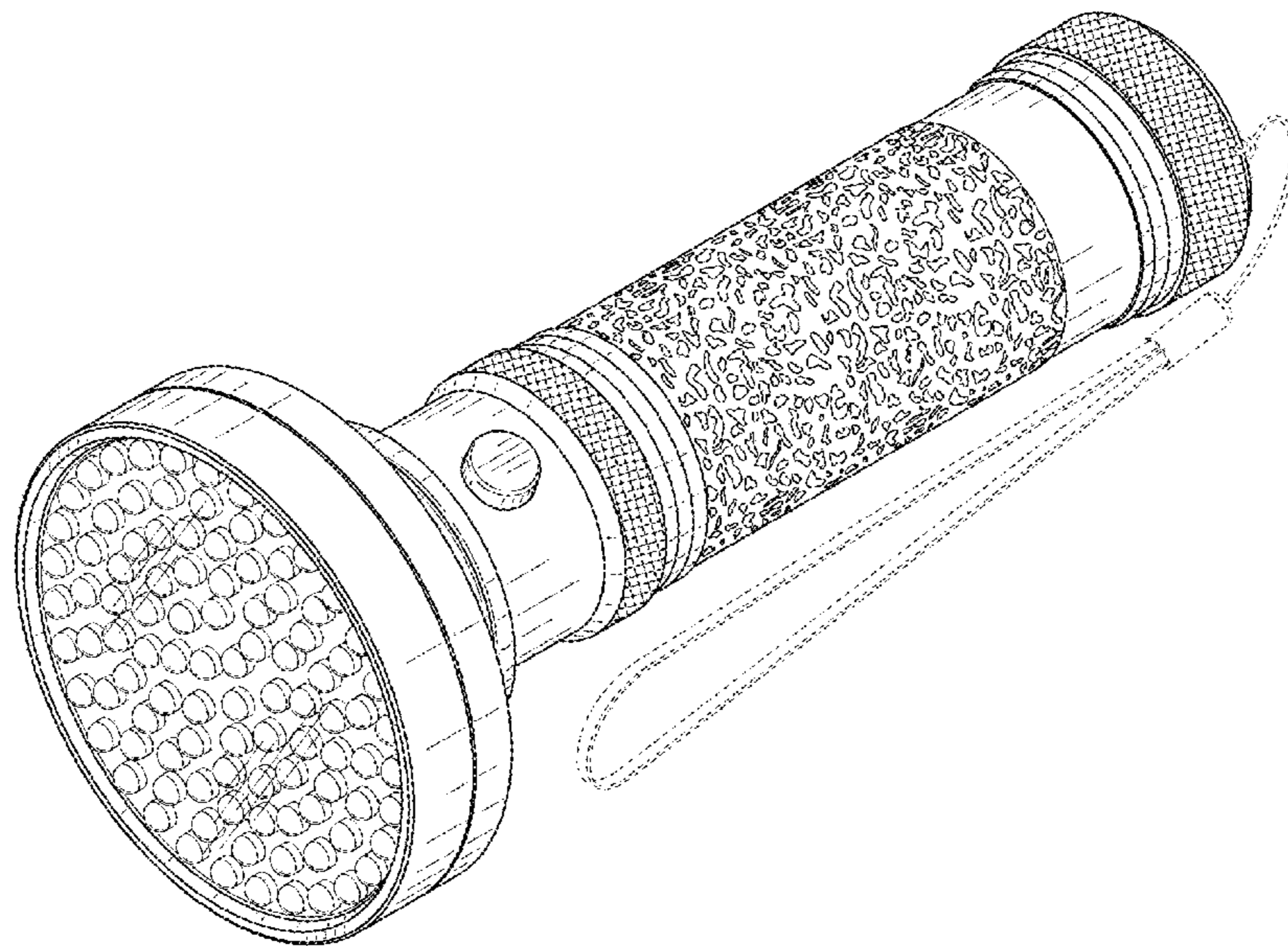
* cited by examiner

Primary Examiner — Lakiya Rogers
Assistant Examiner — Carissa C Fitts
(74) *Attorney, Agent, or Firm* — Weiss & Arons LLP; Avi Goldenberg, Esq.

(57) **CLAIM**
The ornamental design for a flashlight, as shown and described.

DESCRIPTION
FIG. 1 is a top, front, right perspective view of a flashlight showing my new design;
FIG. 2 is a front elevational view thereof;
FIG. 3 is a rear elevational view thereof;
FIG. 4 is a right side elevational view thereof;
FIG. 5 is a left side elevational view thereof;
FIG. 6 is a top plan view thereof; and,
FIG. 7 is a bottom plan view thereof.
The broken line showing of the environment is for illustrative purposes only and forms no part of the claimed design.

1 Claim, 6 Drawing Sheets



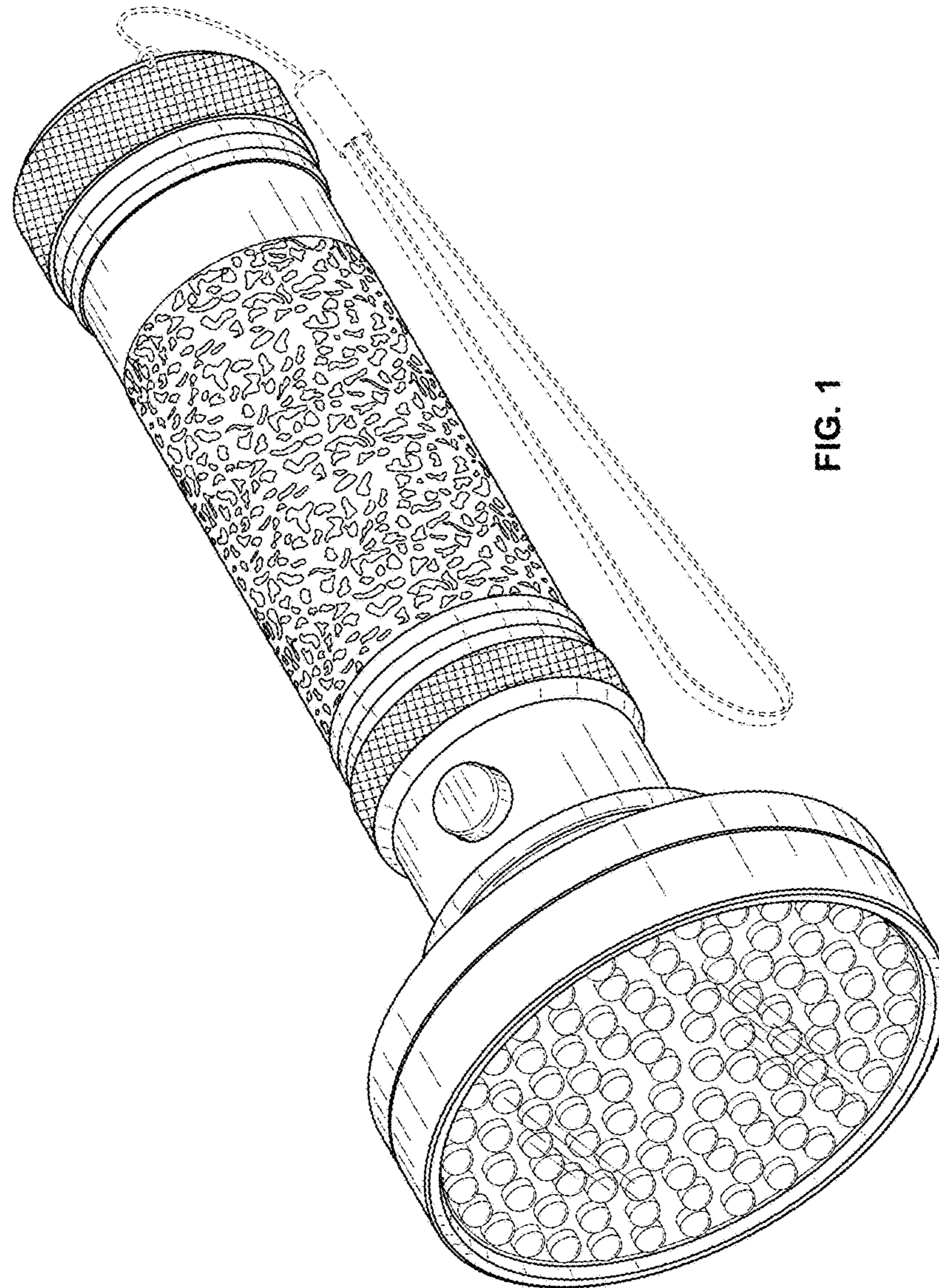


FIG. 1

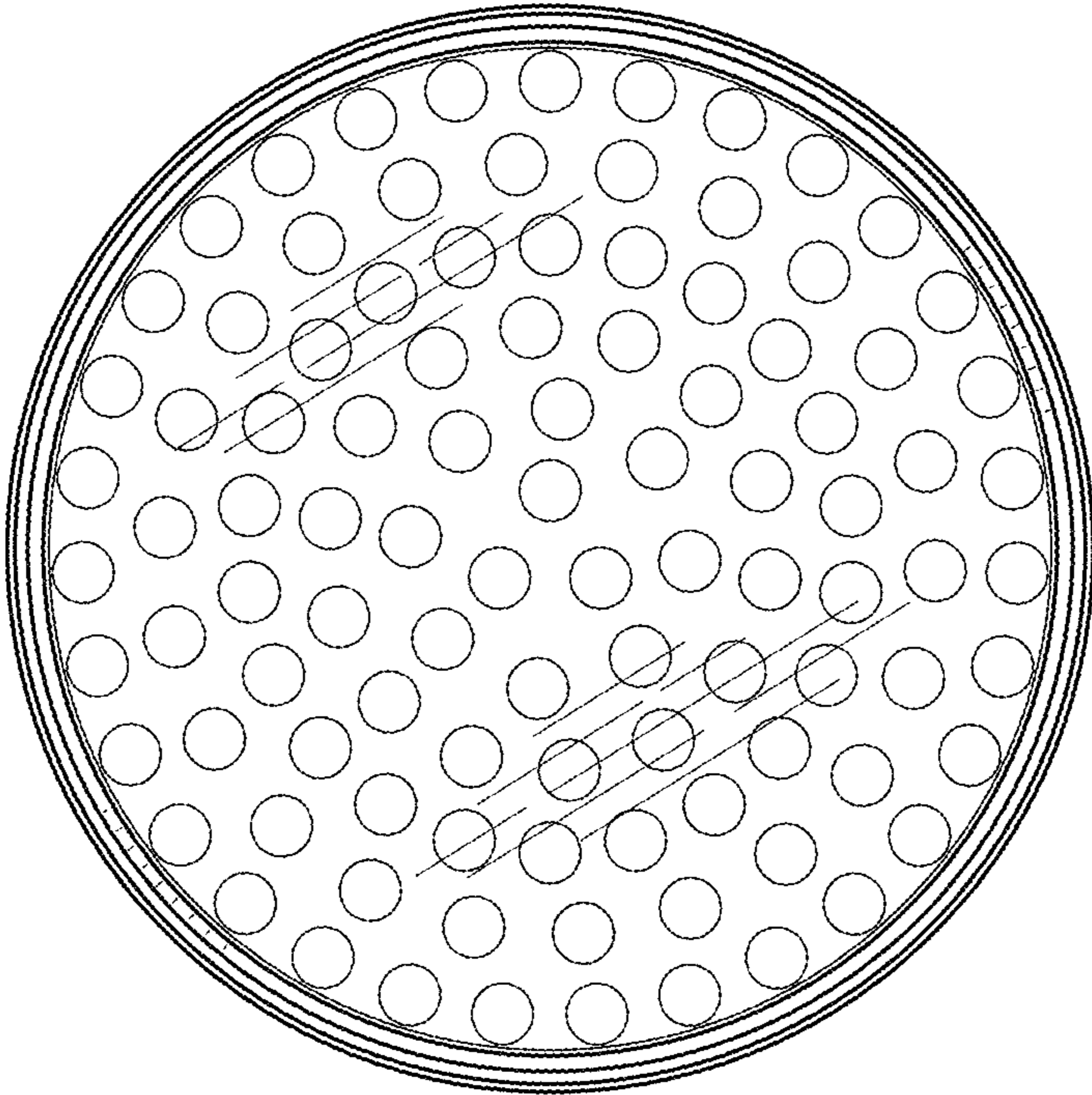


FIG. 2

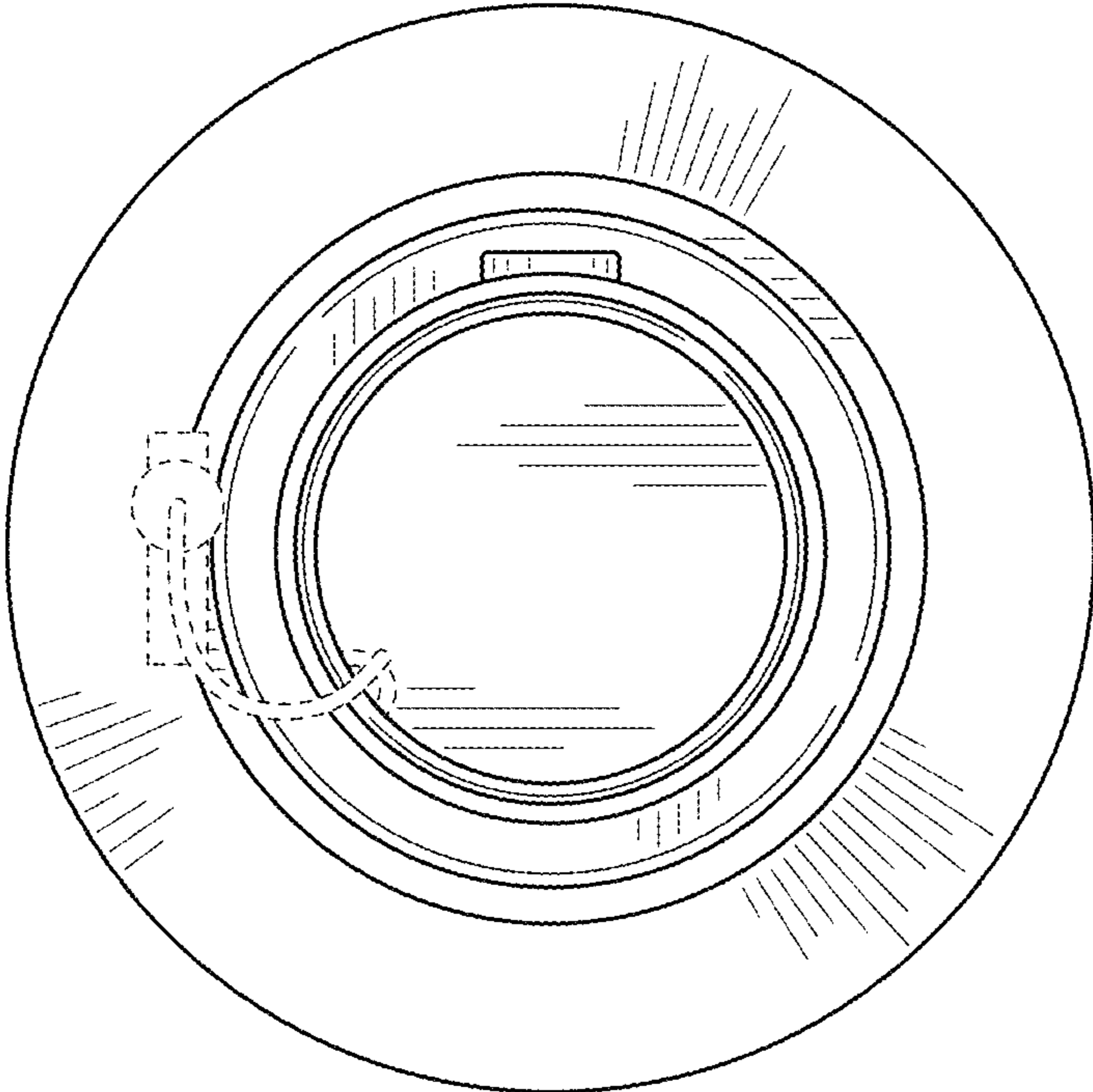


FIG. 3

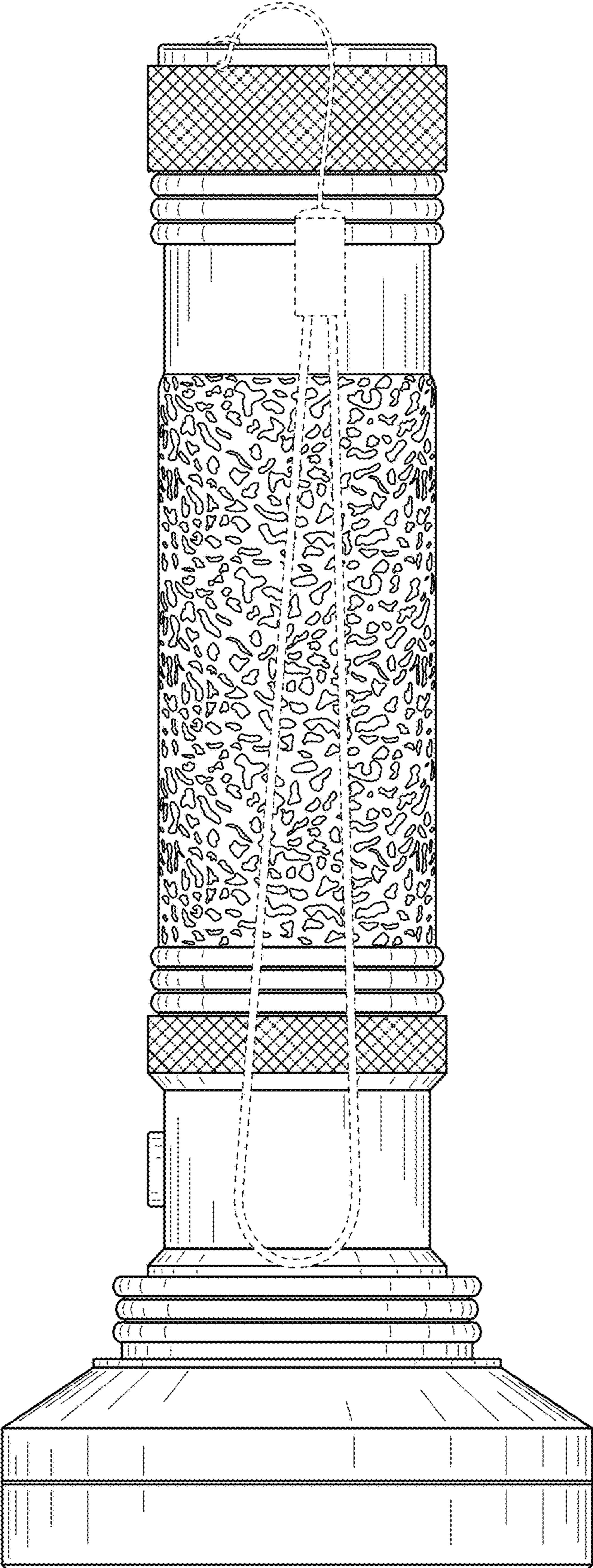


FIG. 4

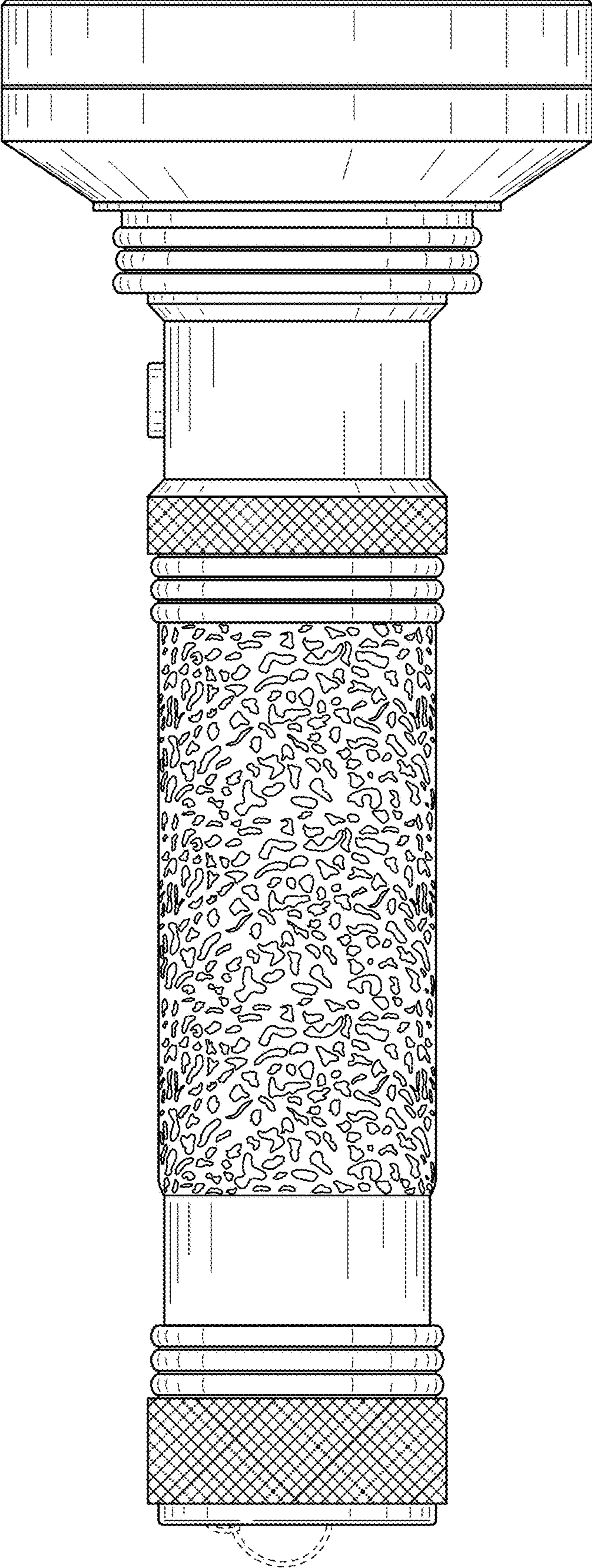


FIG. 5

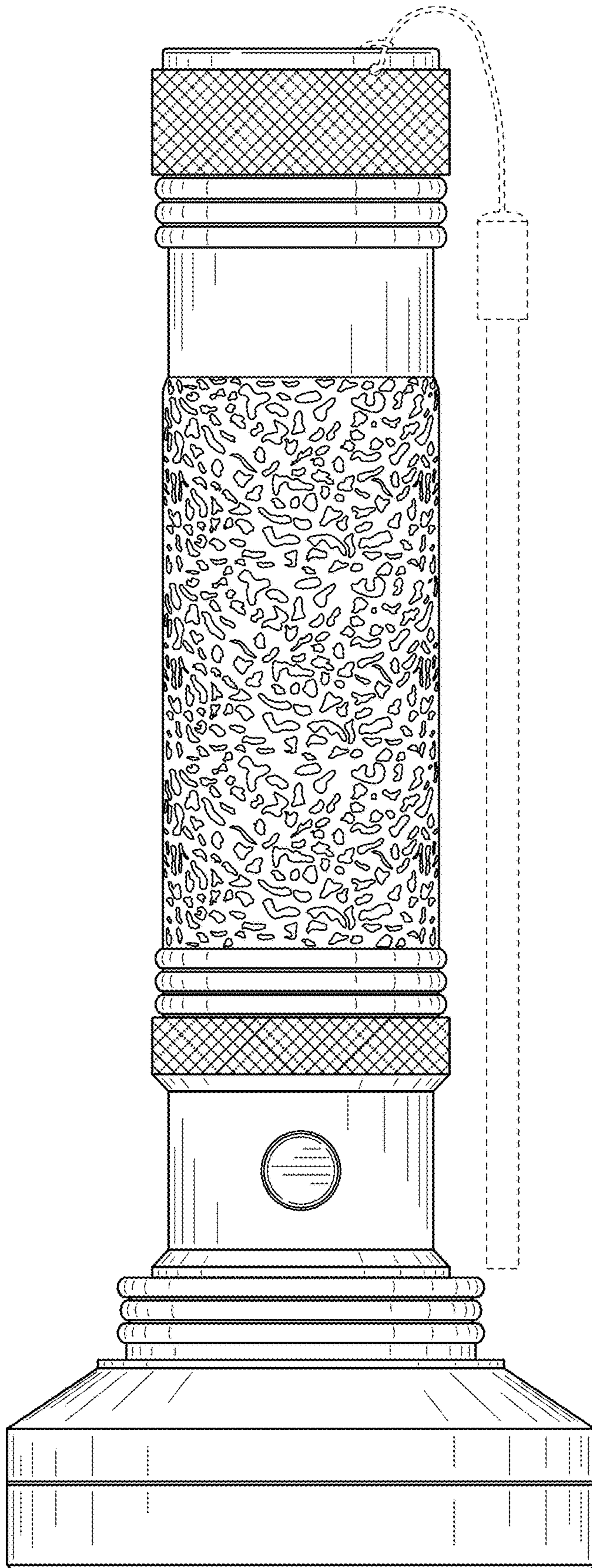


FIG. 6

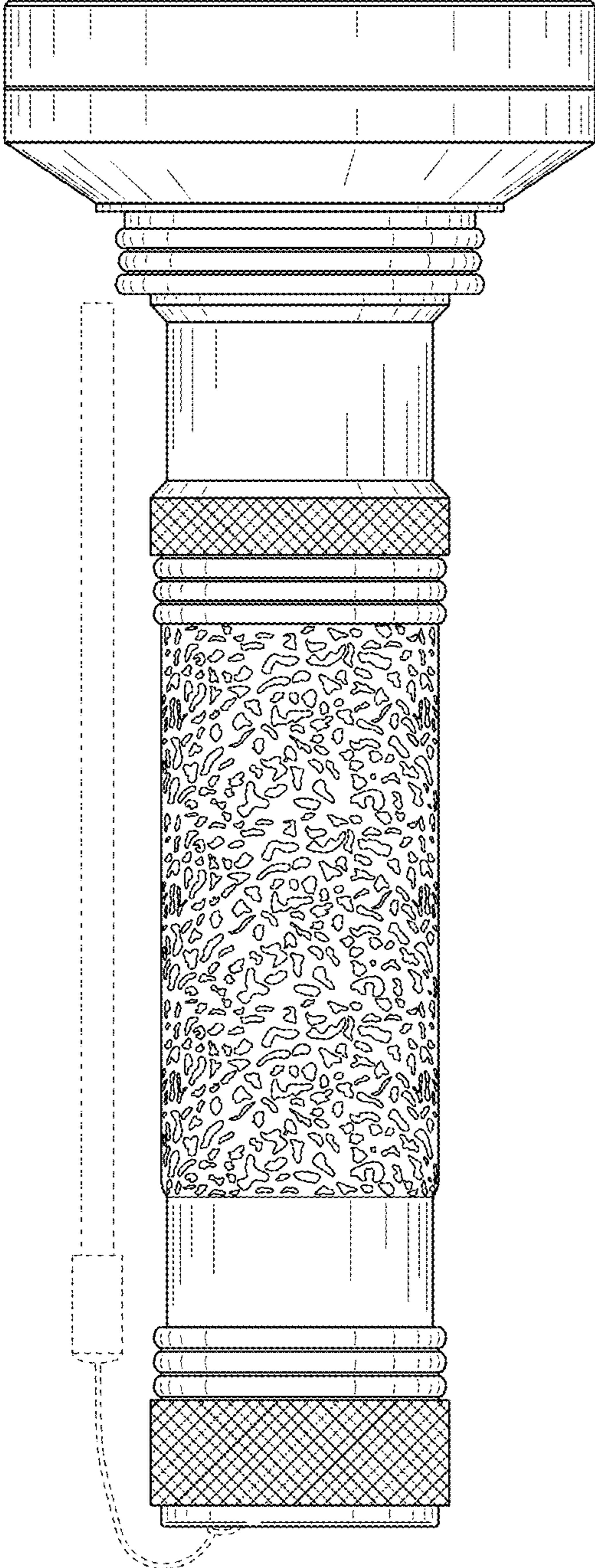


FIG. 7