



US00D785841S

(12) **United States Design Patent**
Brown et al.

(10) **Patent No.:** **US D785,841 S**

(45) **Date of Patent:** **** May 2, 2017**

(54) **HANDHELD LIGHT**

(71) Applicant: **Energizer Brands, LLC**, Saint Louis, MO (US)

(72) Inventors: **John Robert Brown**, Sydney (AU); **Siu Bong Ng**, NT (HK); **Daniel Durbin**, Avon Lake, OH (US); **Kenny Wong**, Kowloon (HK)

(73) Assignee: **ENERGIZER BRANDS, LLC**, Saint Louis, MO (US)

(**) Term: **15 Years**

(21) Appl. No.: **29/533,805**

(22) Filed: **Jul. 22, 2015**

(51) **LOC (10) Cl.** **26-02**

(52) **U.S. Cl.**
USPC **D26/49**

(58) **Field of Classification Search**
USPC D26/46, 49, 37, 38, 51; 362/158, 183, 362/184, 194-196, 200-208
CPC . F21L 2003/00; F21L 4/00; F21L 4/05; F21L 4/02; F21L 4/025; F21L 4/027; F21L 4/04; F21L 4/08; F21L 2005/00; F21L 7/00; F21L 11/00; F21L 13/00; F21L 13/04; F21L 13/08; F21L 14/02; F21L 17/00; F21L 19/00

See application file for complete search history.

(56) **References Cited**

U.S. PATENT DOCUMENTS

D216,735 S *	3/1970	Brindley	D26/49
D322,141 S *	12/1991	Yuen	D26/49
D325,100 S *	3/1992	Usami	D26/49
D368,318 S *	3/1996	Furth	D26/49
D403,446 S *	12/1998	Lynch	D26/37
D423,129 S *	4/2000	Nakagawa	D26/49
D426,906 S *	6/2000	Nakagawa	D26/49

D448,878 S *	10/2001	Dalton	D26/49
D449,395 S *	10/2001	Dalton	D26/49
D455,512 S *	4/2002	MacKool	D26/49
D474,554 S *	5/2003	Dalton	D26/49
D483,432 S *	12/2003	Parsons	D22/117
D494,298 S *	8/2004	Brent	D26/49
D502,278 S *	2/2005	Dalton	D26/49
D506,848 S *	6/2005	Kung	D26/49
D507,370 S *	7/2005	Marshall	D26/37
D525,380 S *	7/2006	Gillis	D26/49
D531,337 S *	10/2006	Dalton	D26/49
D531,747 S *	11/2006	Brown	D26/49
D552,776 S *	10/2007	Osiecki	D26/37
D608,482 S *	1/2010	Brown	D26/49
D619,743 S *	7/2010	Liu	D26/49
D638,157 S *	5/2011	Lee	D26/49
D646,007 S *	9/2011	Tompkin	D26/46
D658,797 S *	5/2012	Bayat	D26/46
D716,983 S *	11/2014	Ma	D26/49
D719,286 S *	12/2014	Inskeep	D26/49
D746,500 S *	12/2015	Brown	D26/49

* cited by examiner

Primary Examiner — Lakiya Rogers

Assistant Examiner — Carissa C Fitts

(74) *Attorney, Agent, or Firm* — Alston & Bird LLP

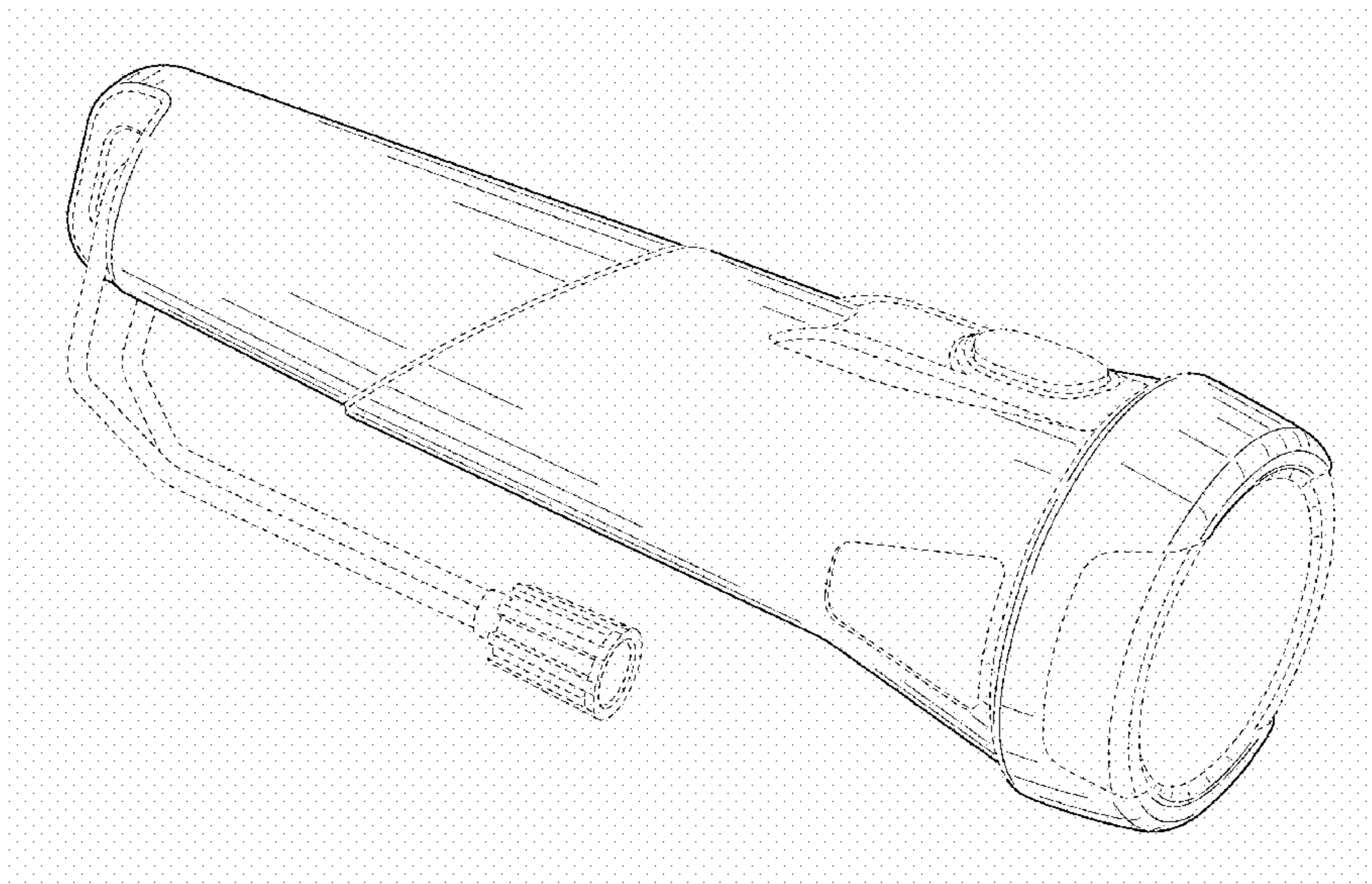
(57) **CLAIM**

The ornamental design for a handheld light, as shown and described.

DESCRIPTION

FIG. 1 is a front perspective view of the design; FIG. 2 is a front view of the design; FIG. 3 is a rear view of the design; FIG. 4 is a first side view of the design; FIG. 5 is a second side view of the design; FIG. 6 is a top view of the design; and, FIG. 7 is a bottom view of the design. Any broken line(s) shown represents unclaimed portions of the article and forms no part of the claimed design.

1 Claim, 4 Drawing Sheets



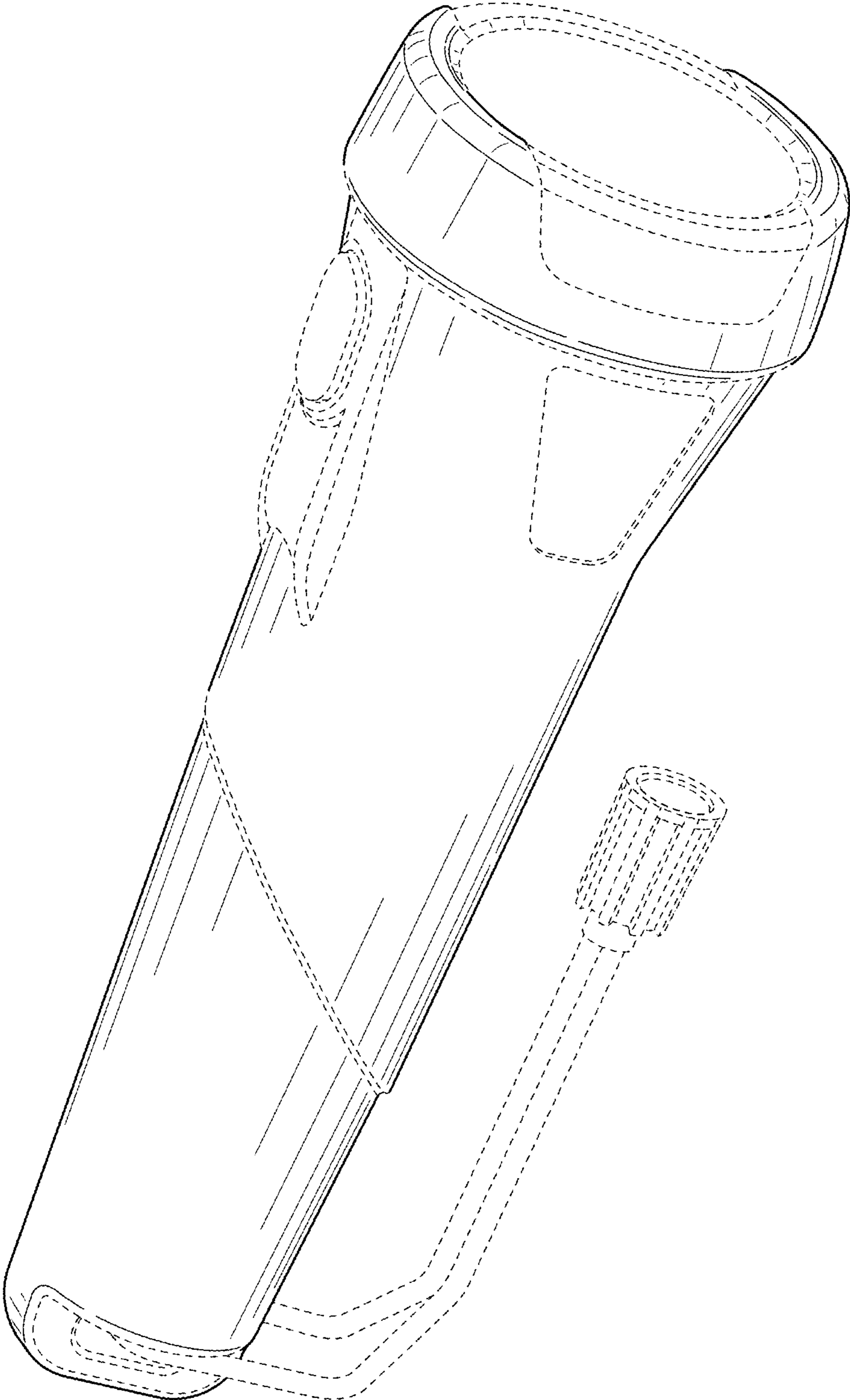


FIG. 1

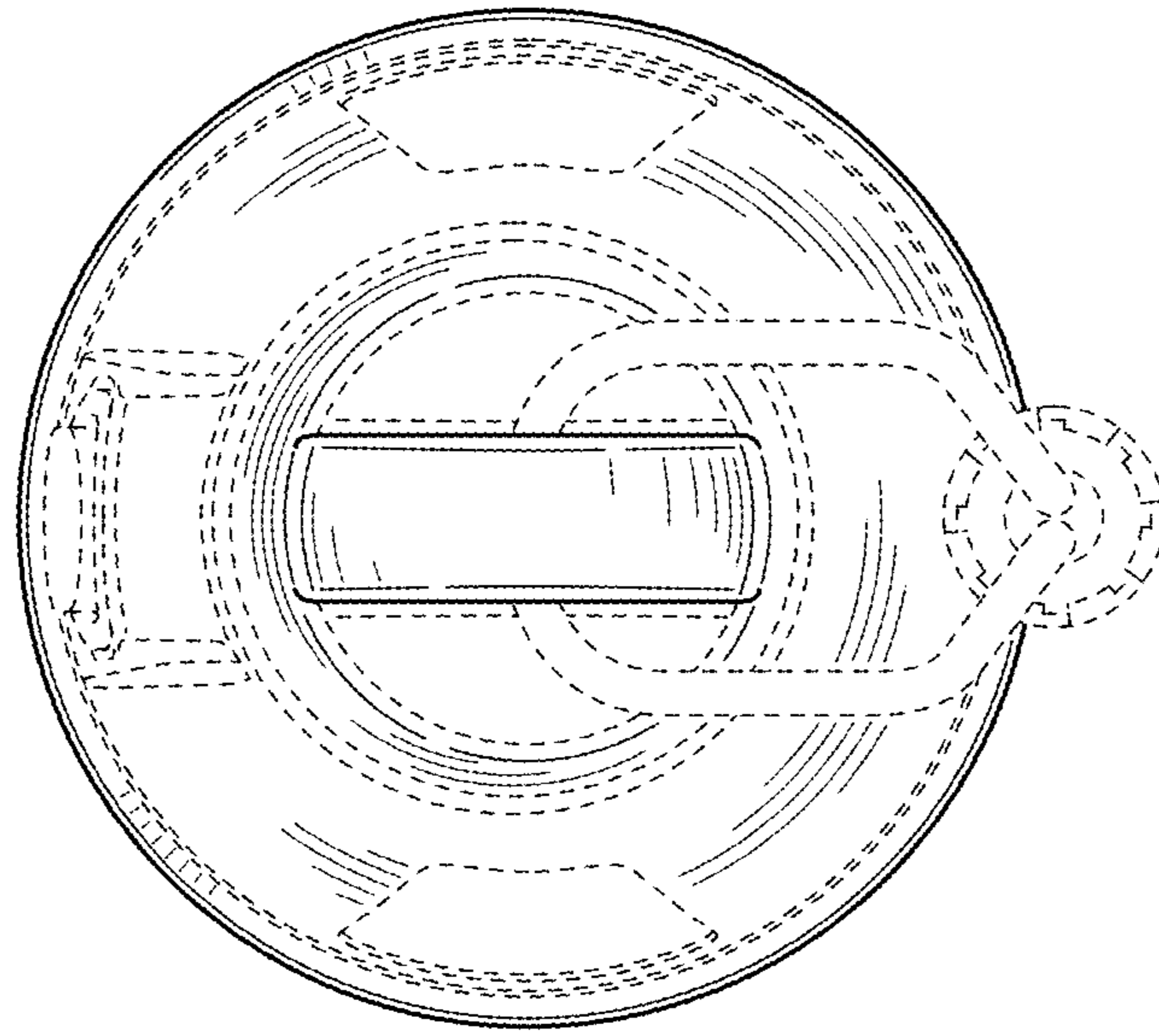


FIG. 3

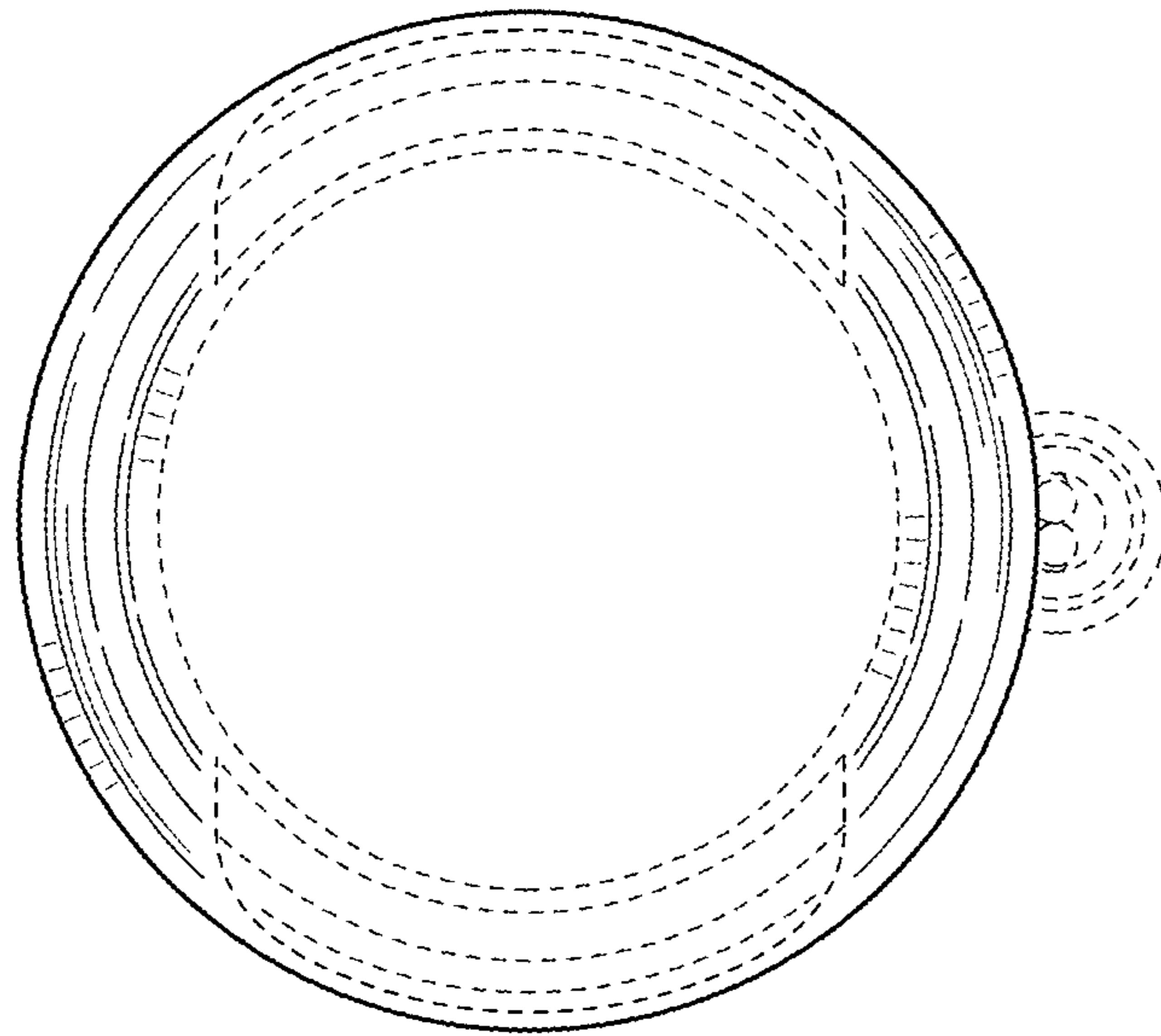


FIG. 2

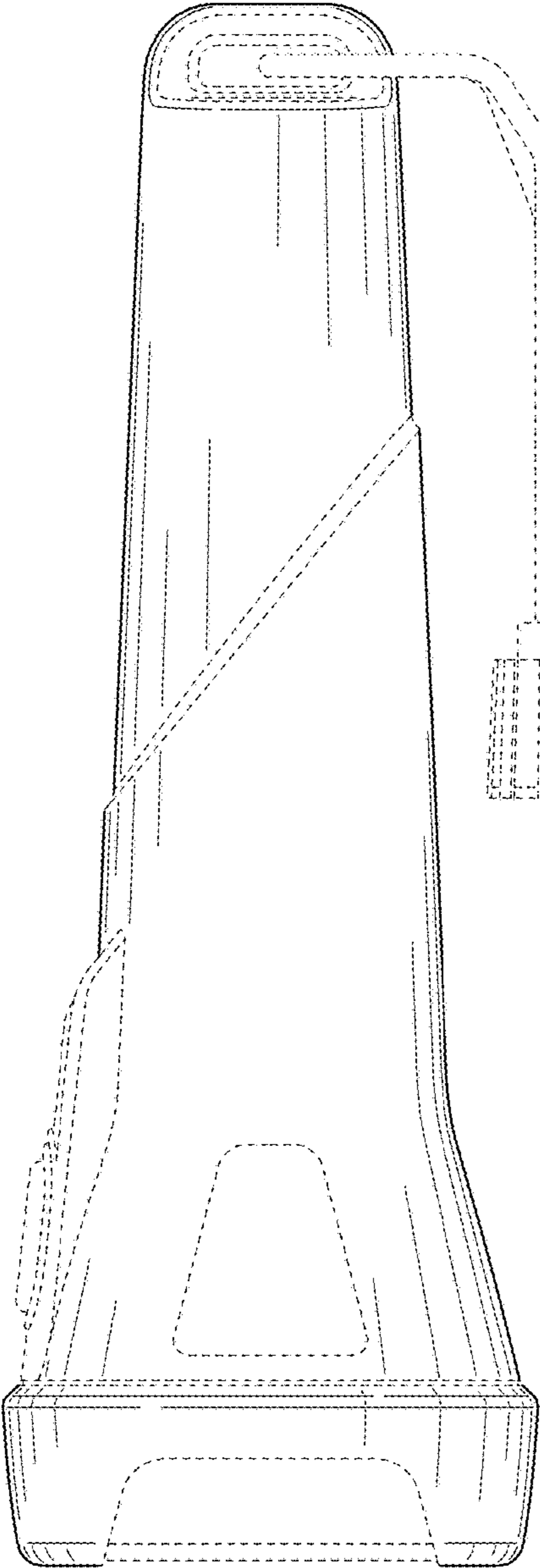


FIG. 4

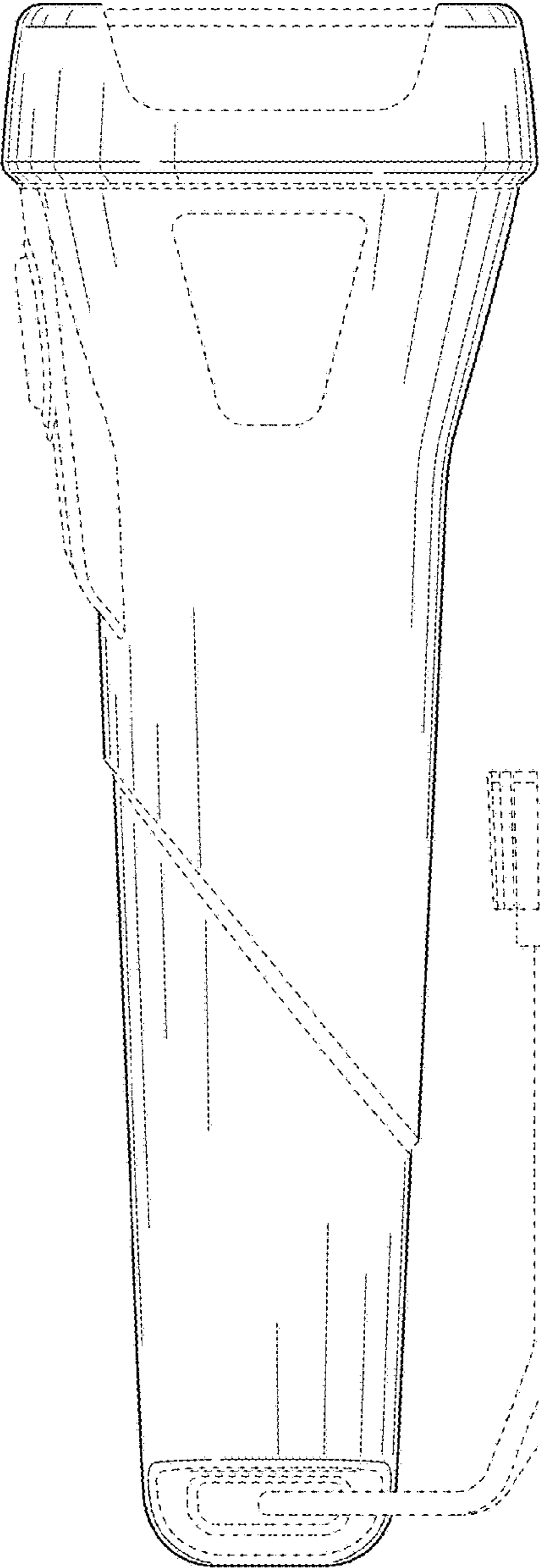


FIG. 5

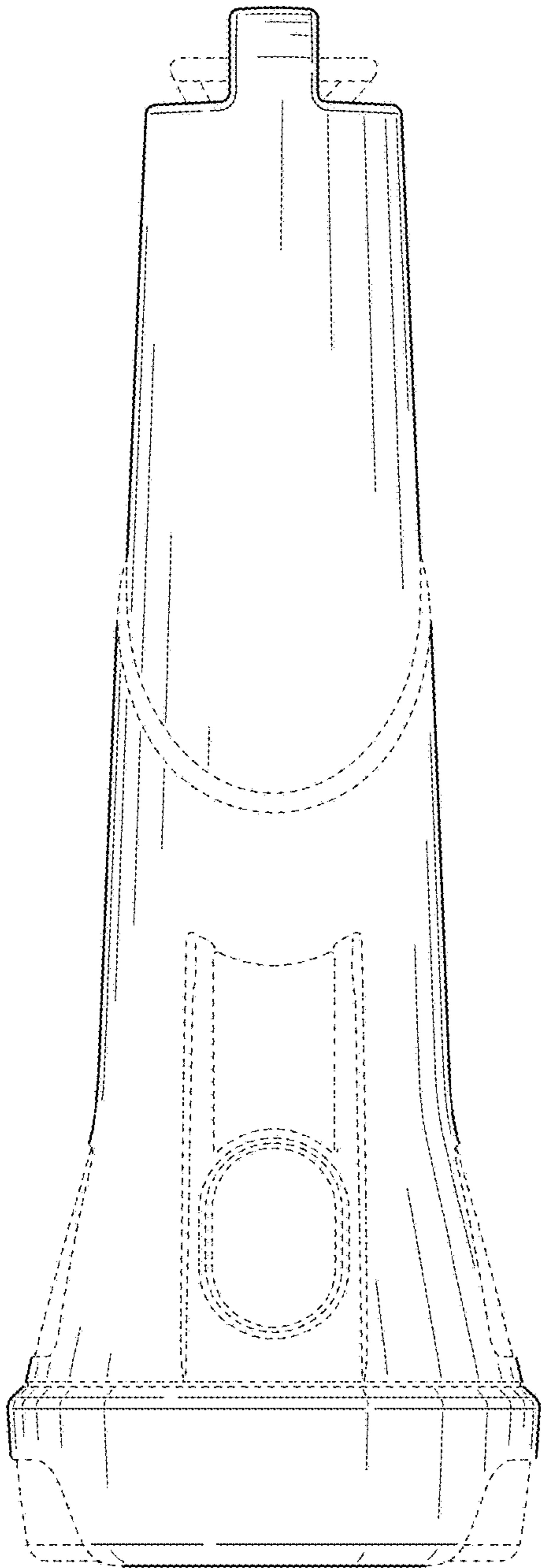


FIG. 6

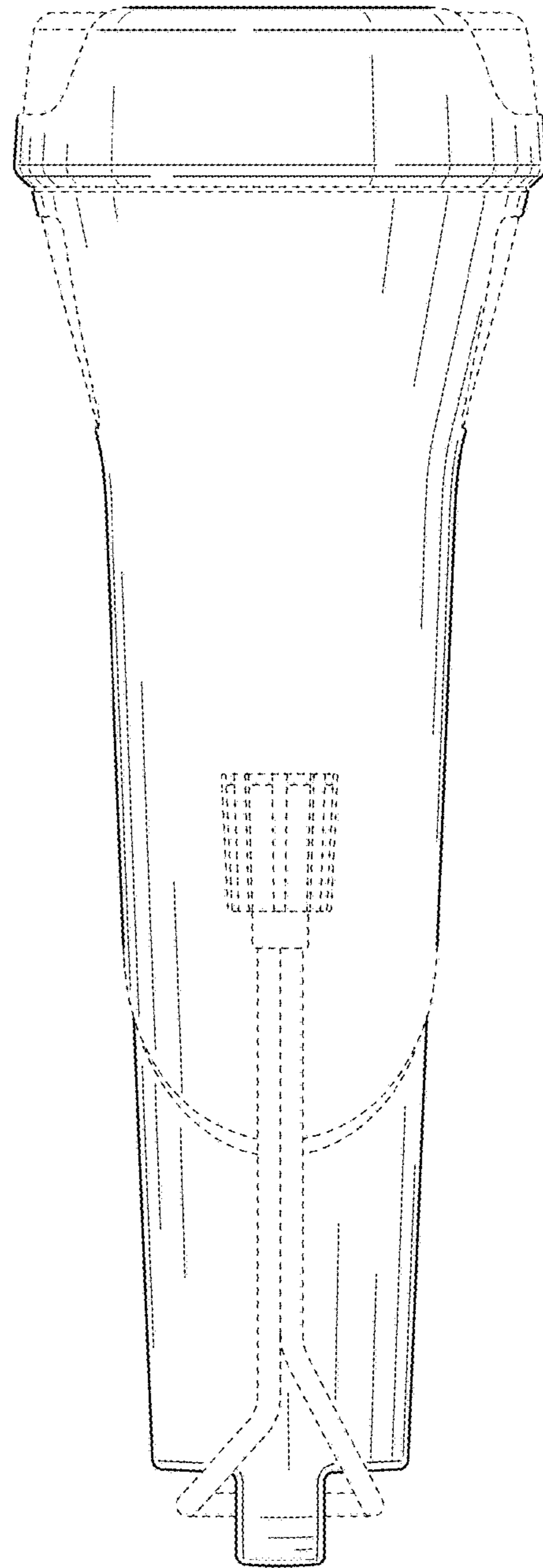


FIG. 7