



US00D785840S

(12) **United States Design Patent** (10) **Patent No.:** **US D785,840 S**
Brown et al. (45) **Date of Patent:** **** *May 2, 2017**

- (54) **HANDHELD FLASHLIGHT**
- (71) Applicant: **Energizer Brands, LLC**, Saint Louis, MO (US)
- (72) Inventors: **John Robert Brown**, Sydney (AU); **Daniel Durbin**, Avon Lake, OH (US); **Kenny Wong**, Kowloon (HK); **Siu Bong Ng**, NT (HK)
- (73) Assignee: **ENERGIZER BRANDS, LLC**, Saint Louis, MO (US)
- (*) Notice: This patent is subject to a terminal disclaimer.
- (**) Term: **15 Years**
- (21) Appl. No.: **29/533,797**
- (22) Filed: **Jul. 22, 2015**
- (51) **LOC (10) Cl.** **26-02**
- (52) **U.S. Cl.**
USPC **D26/49**
- (58) **Field of Classification Search**
USPC D26/46, 49, 37, 38, 51; 362/158, 183, 362/184, 194-196, 200-208
CPC F21L 2003/00; F21L 4/00; F21L 4/005; F21L 4/02; F21L 4/025; F21L 4/027; F21L 4/04; F21L 4/08; F21L 2005/00; F21L 7/00; F21L 11/00; F21L 13/00; F21L 13/04; F21L 13/08; F21L 14/02; F21L 17/00; F21L 19/00
See application file for complete search history.

- (56) **References Cited**
U.S. PATENT DOCUMENTS
D216,735 S * 3/1970 Brindley D26/49
D322,141 S * 12/1991 Yuen D26/49

- D325,100 S * 3/1992 Usami D26/49
- D368,318 S * 3/1996 Furth D26/49
- D403,446 S * 12/1998 Lynch D26/37
- D423,129 S * 4/2000 Nakagawa D26/49
- D426,906 S * 6/2000 Nakagawa D26/49
- D448,878 S * 10/2001 Dalton D26/49
- D449,395 S * 10/2001 Dalton D26/49
- D455,512 S * 4/2002 MacKool D26/49
- D474,554 S * 5/2003 Dalton D26/49
- D483,432 S * 12/2003 Parsons D22/117
- D494,298 S * 8/2004 Brent D26/49
- D507,370 S * 7/2005 Marshall D26/37
- D507,672 S * 7/2005 Fritz D26/49
- D531,337 S * 10/2006 Dalton D26/49
- D608,482 S * 1/2010 Brown D26/49
- D619,743 S * 7/2010 Liu D26/49
- D658,797 S * 5/2012 Bayat D26/46
- D716,983 S * 11/2014 Ma D26/49
- D746,500 S * 12/2015 Brown D26/49

* cited by examiner

Primary Examiner — Lakiya Rogers
Assistant Examiner — Carissa C Fitts
(74) *Attorney, Agent, or Firm* — Alston & Bird LLP

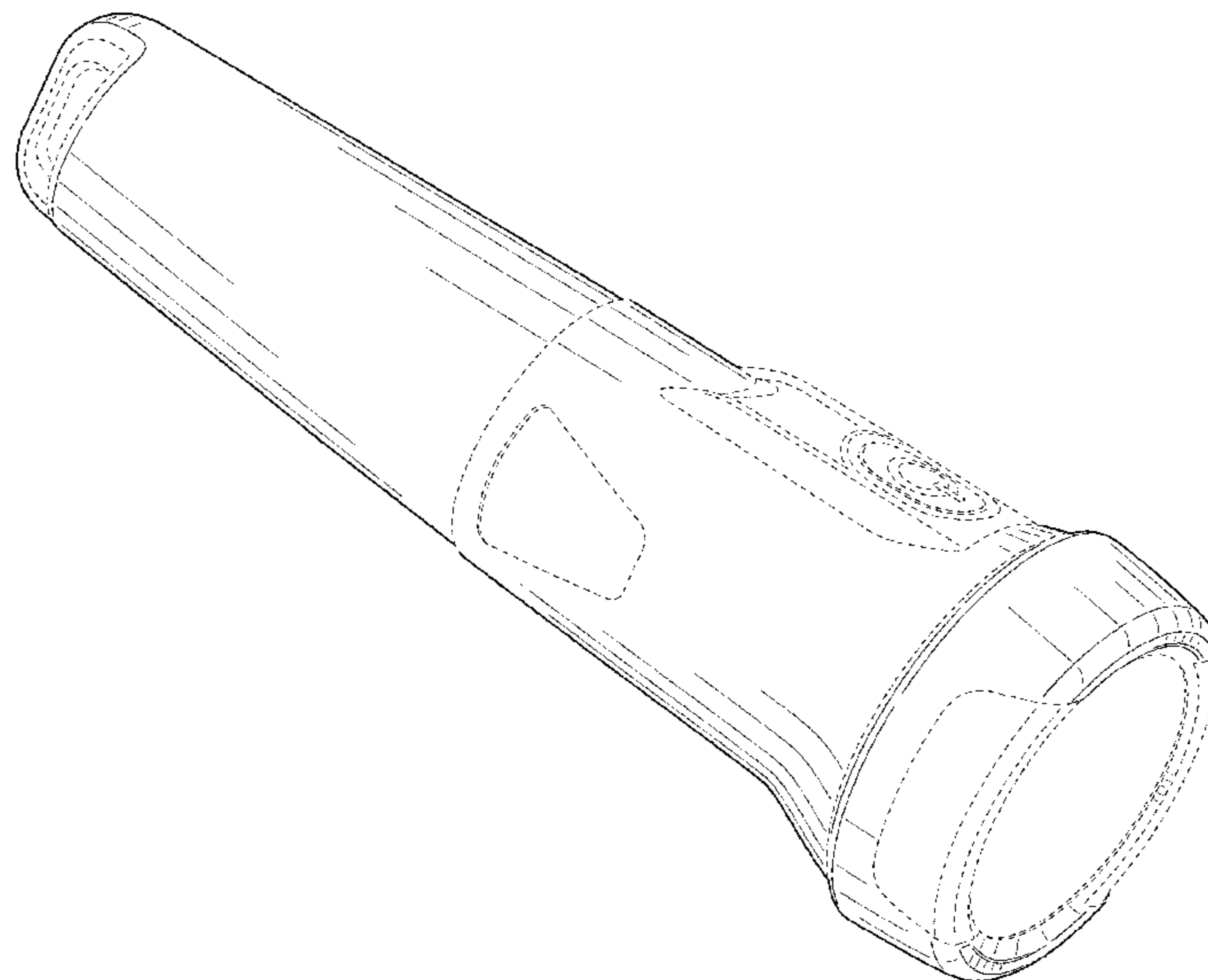
(57) **CLAIM**

The ornamental design for a handheld flashlight, as shown and described.

DESCRIPTION

FIG. 1 is a front perspective view of the design; FIG. 2 is a front view of the design; FIG. 3 is a rear view of the design; FIG. 4 is a first side view of the design; FIG. 5 is a second side view of the design; FIG. 6 is a top view of the design; and, FIG. 7 is a bottom view of the design. Any broken line(s) shown represents unclaimed portions of the article and forms no part of the claimed design.

1 Claim, 4 Drawing Sheets



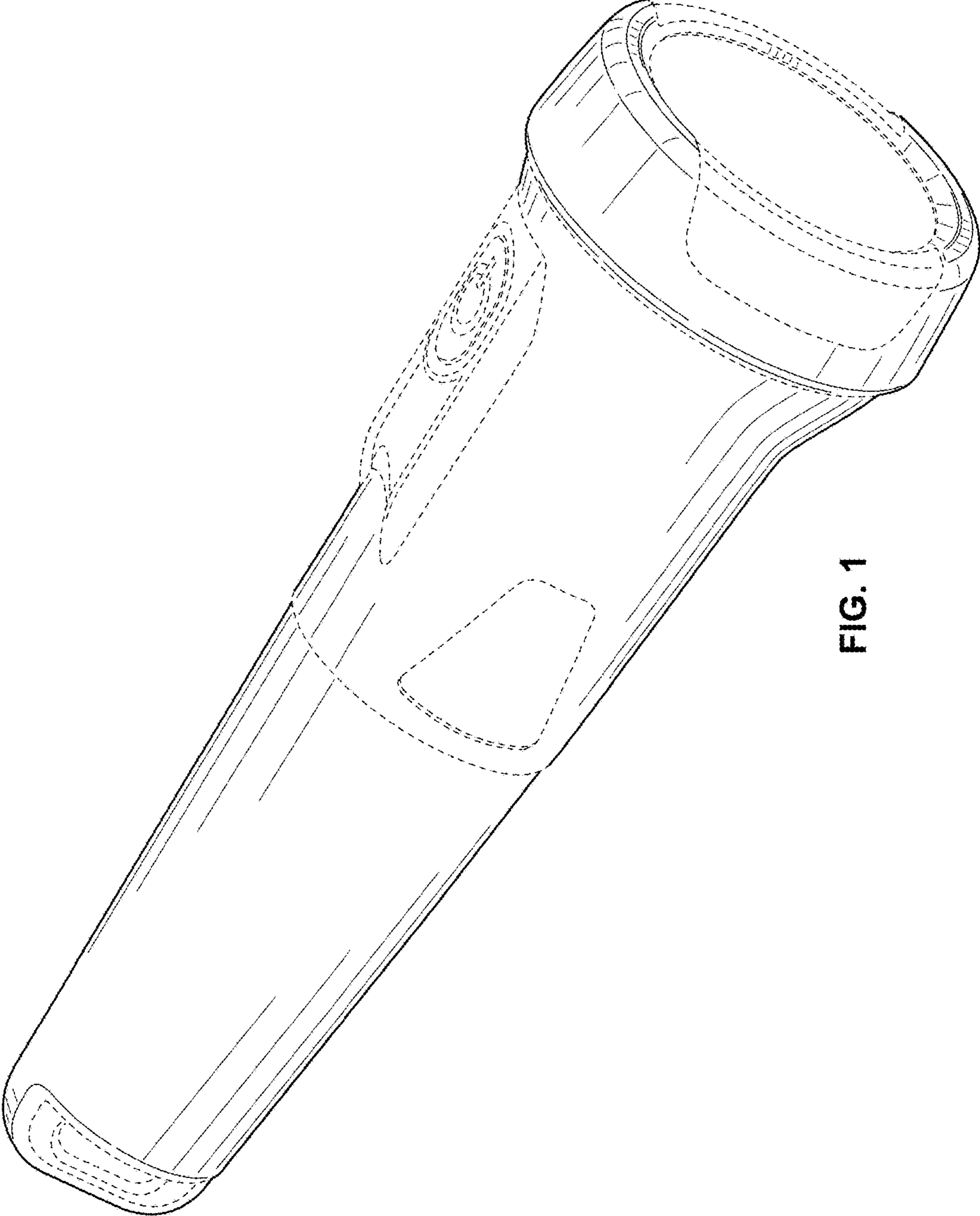


FIG. 1

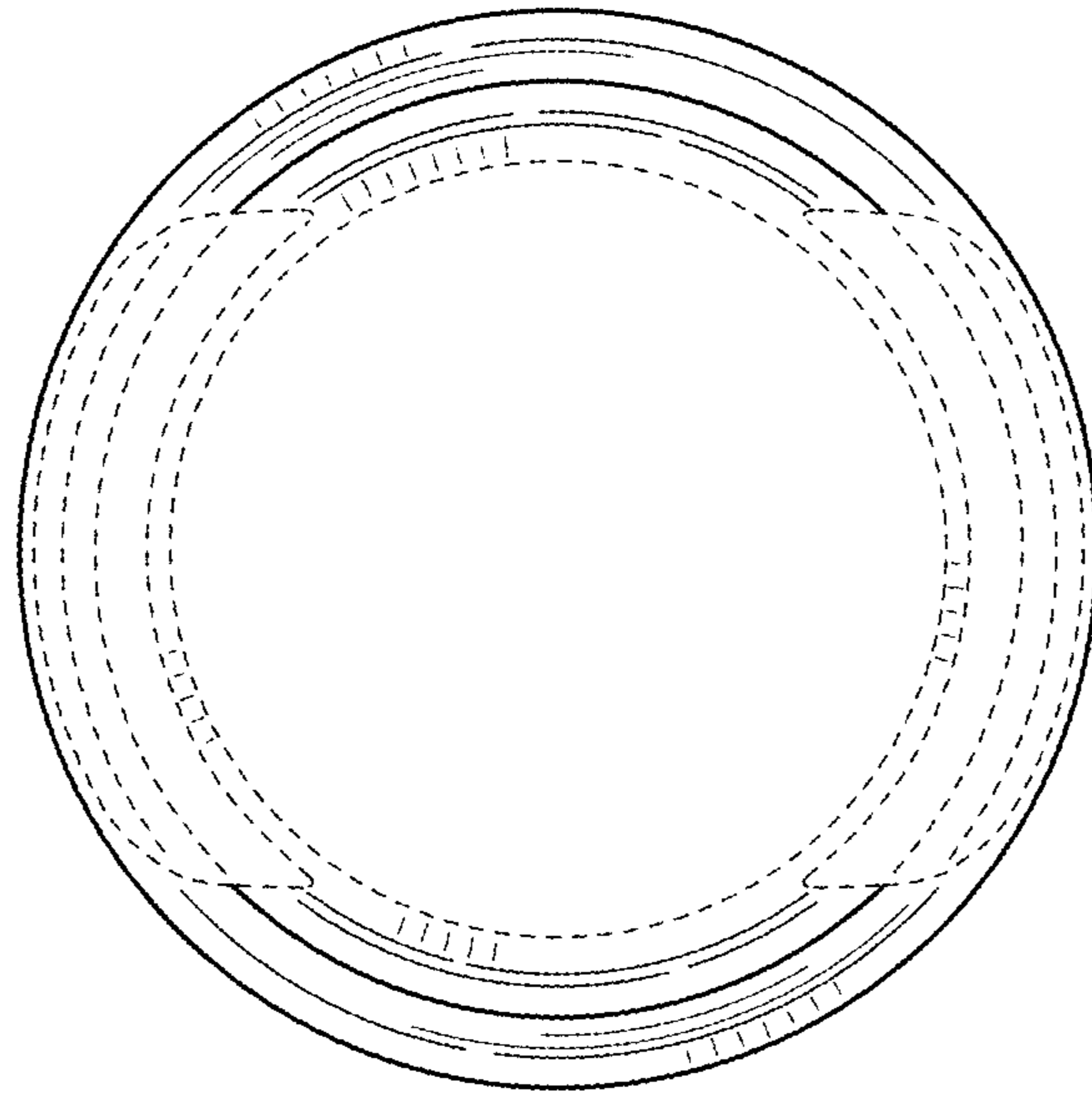


FIG. 2

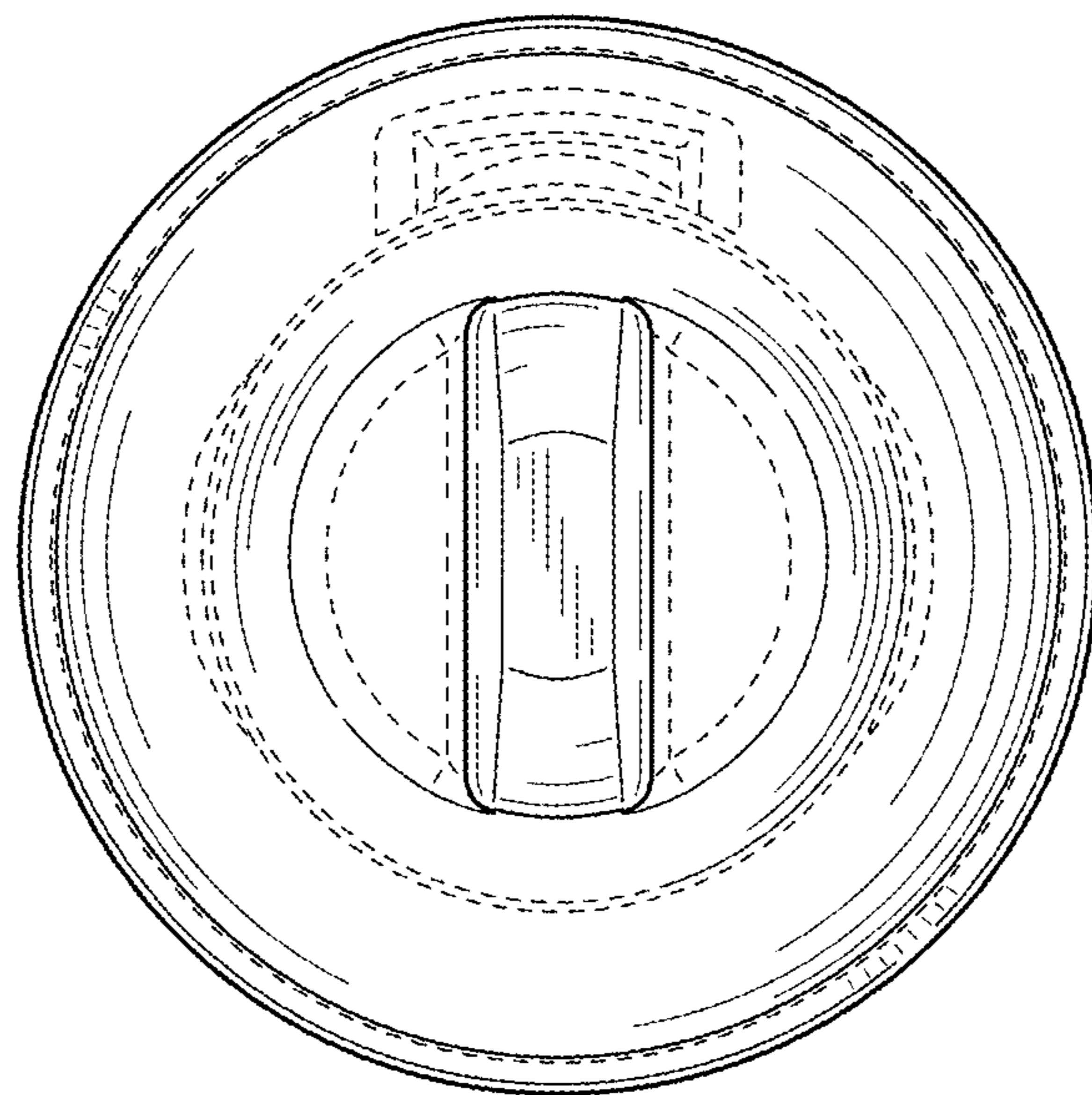


FIG. 3

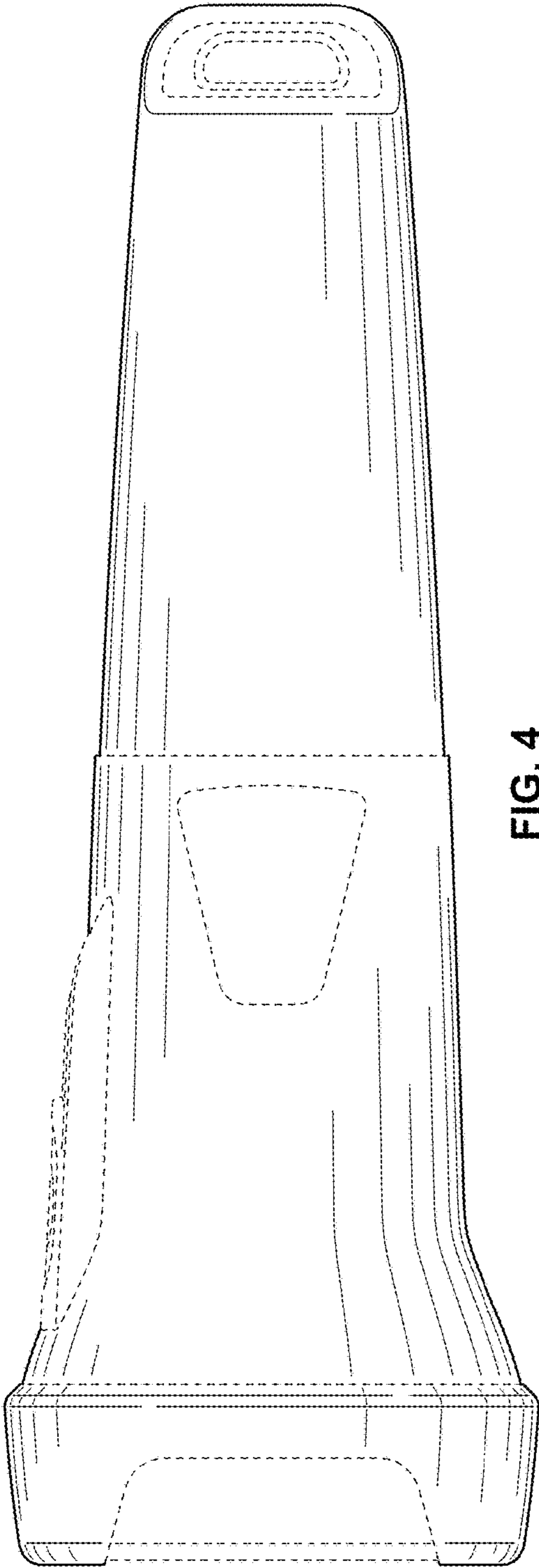


FIG. 4

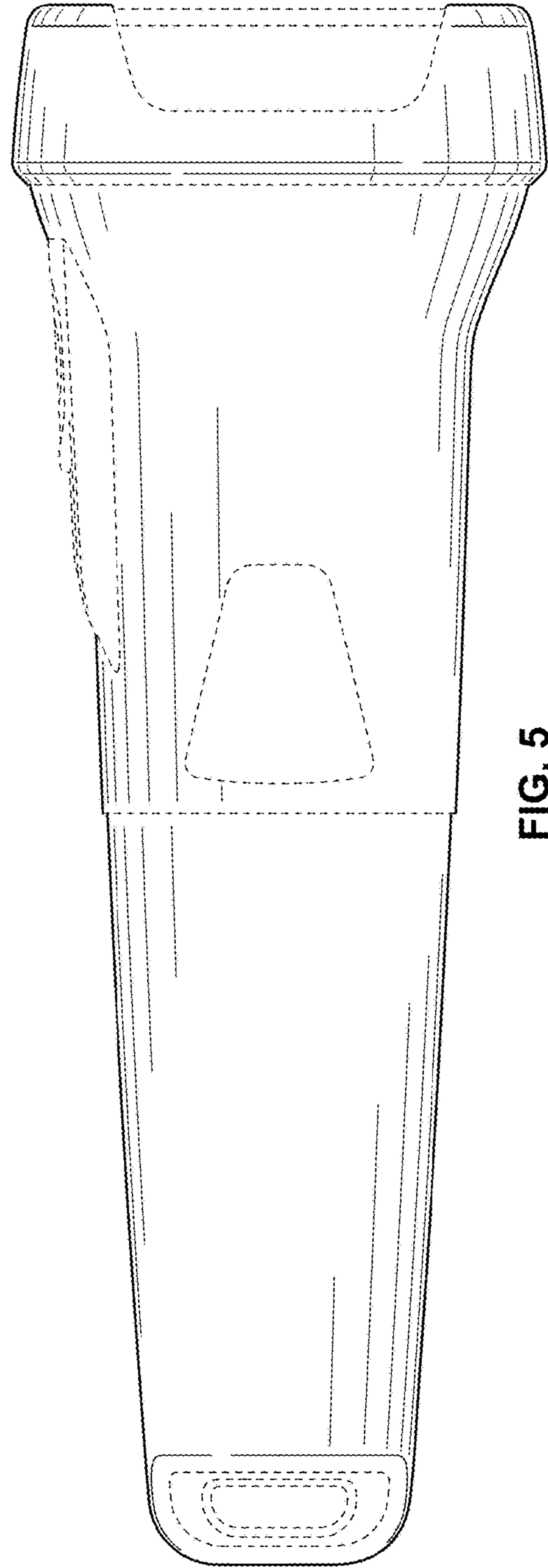


FIG. 5

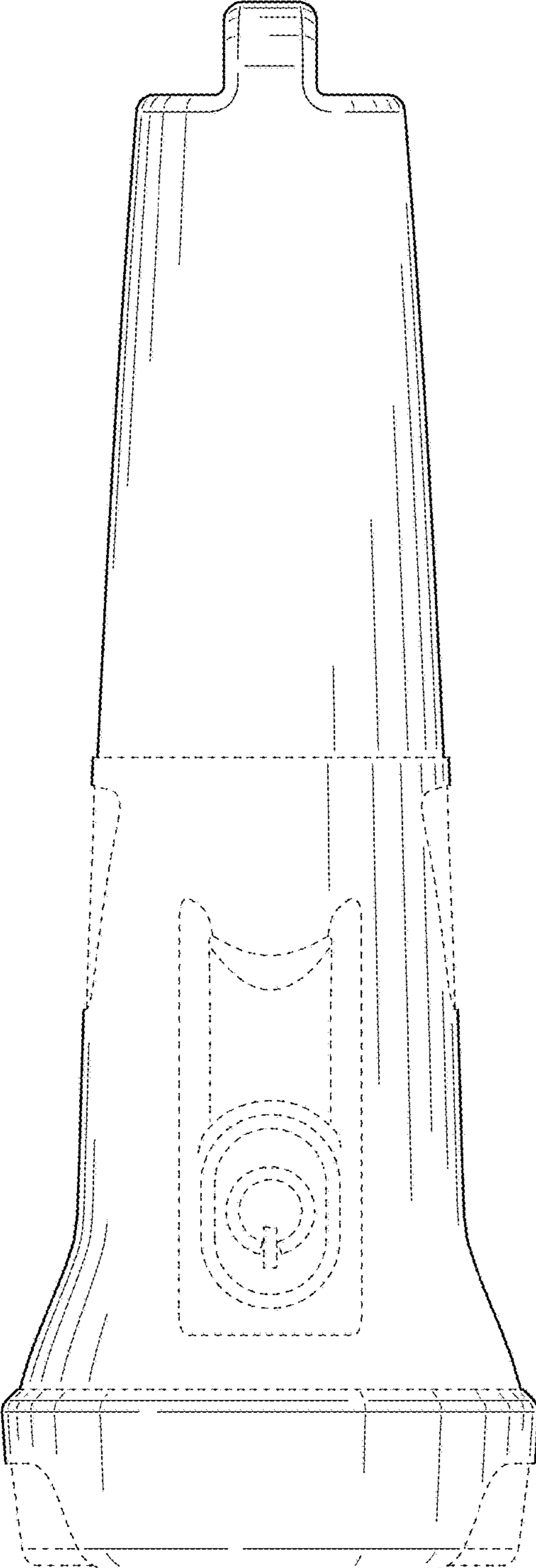


FIG. 6

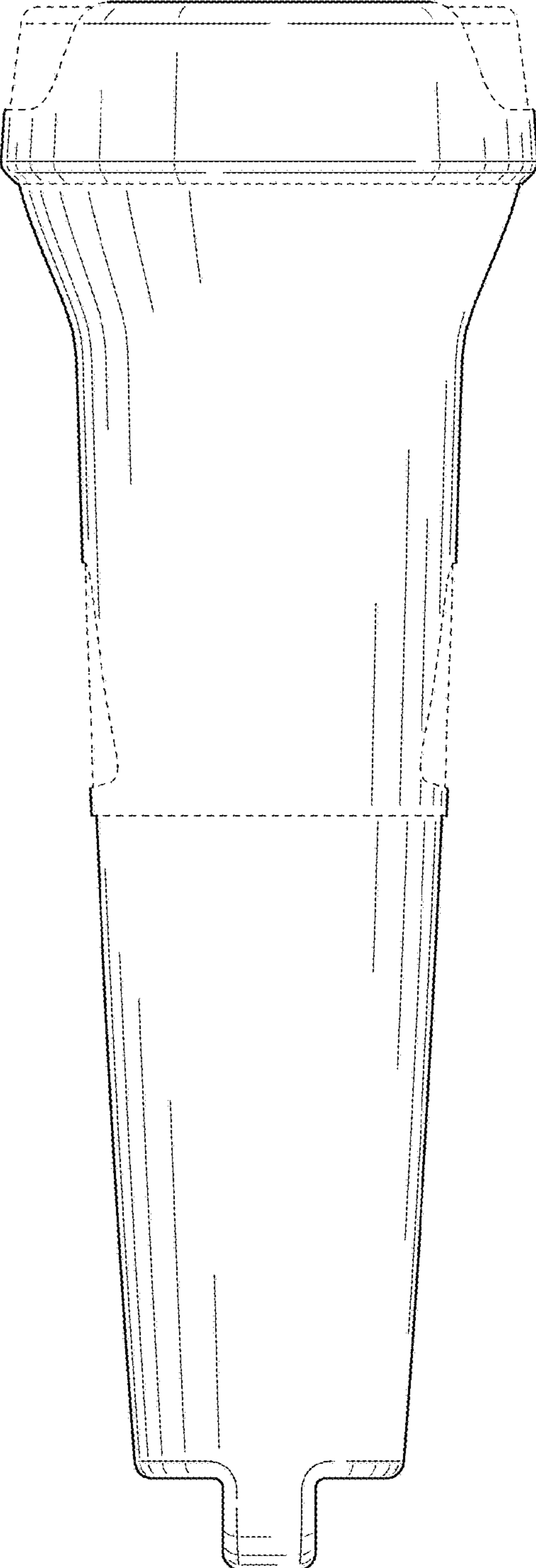


FIG. 7