



US00D785836S

(12) **United States Design Patent** (10) **Patent No.:** **US D785,836 S**  
**Lee et al.** (45) **Date of Patent:** **\*\* May 2, 2017**

(54) **REAR COMBINATION LAMP FOR AN AUTOMOBILE**

D635,698 S \* 4/2011 Jeong ..... D26/28  
D637,743 S \* 5/2011 Cho ..... D26/28  
D652,550 S \* 1/2012 Cho ..... D26/28  
D681,245 S \* 4/2013 Colborne ..... D26/28  
D714,985 S \* 10/2014 Moon ..... D26/28

(71) Applicant: **Kia Motors Corporation**, Seoul (KR)

\* cited by examiner

(72) Inventors: **Soon Il Lee**, Gyeonggi-do (KR); **Ju Young Kim**, Gyeonggi-do (KR)

*Primary Examiner* — Marcus Jackson

(73) Assignee: **Kia Motors Corporation**, Seoul (KR)

(74) *Attorney, Agent, or Firm* — Mintz Levin Cohn Ferris Glovsky and Popeo, P.C.; Kongsik Kim

(\*\*) Term: **15 Years**

(21) Appl. No.: **29/557,676**

(57) **CLAIM**

(22) Filed: **Mar. 10, 2016**

The ornamental design for a rear combination lamp for an automobile, as shown and described.

(30) **Foreign Application Priority Data**

**DESCRIPTION**

Sep. 16, 2015 (KR) ..... 30-2015-0047070

(51) **LOC (10) Cl.** ..... **26-06**

(52) **U.S. Cl.**  
USPC ..... **D26/28**

(58) **Field of Classification Search**  
USPC ..... D26/28–36; 362/80–83, 267–269,  
362/459–468, 475–478, 485–487  
CPC ..... F21S 48/00; F21S 48/10; F21S 48/115;  
F21S 48/225; F21S 48/1233; F21S  
48/1266; F21S 48/1388; F21S 48/2268;  
F21V 21/04  
See application file for complete search history.

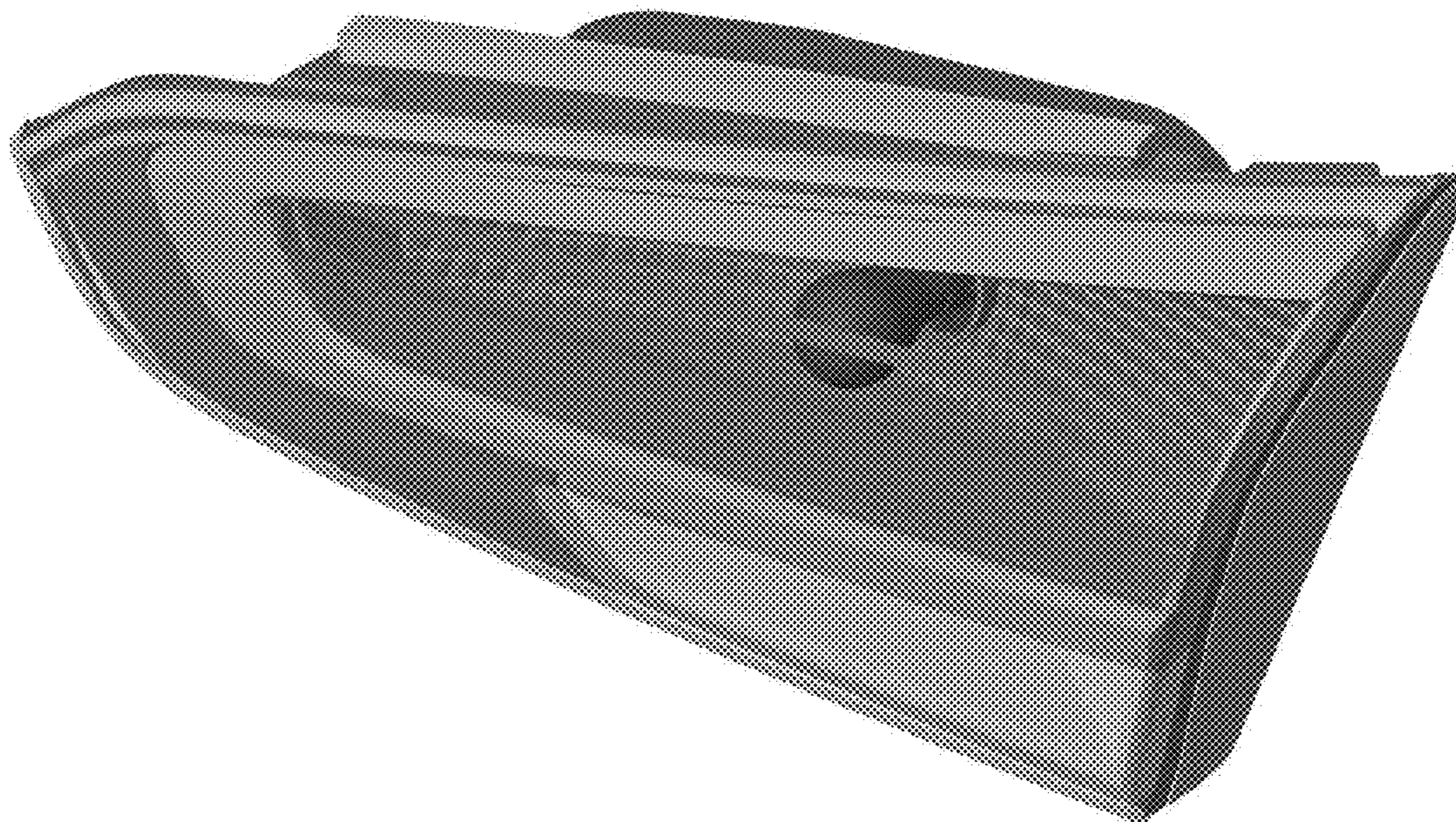
FIG. 1 is a perspective view of the rear combination lamp for an automobile according to the present invention.  
FIG. 2 is a front view of the rear combination lamp for an automobile of FIG. 1.  
FIG. 3 is a rear view of the rear combination lamp for an automobile of FIG. 1.  
FIG. 4 is a left side view of the rear combination lamp for an automobile of FIG. 1.  
FIG. 5 is a right side view of the rear combination lamp for an automobile of FIG. 1.  
FIG. 6 is a top view of the rear combination lamp for an automobile of FIG. 1; and,  
FIG. 7 is a bottom view of the rear combination lamp for an automobile of FIG. 1.

(56) **References Cited**

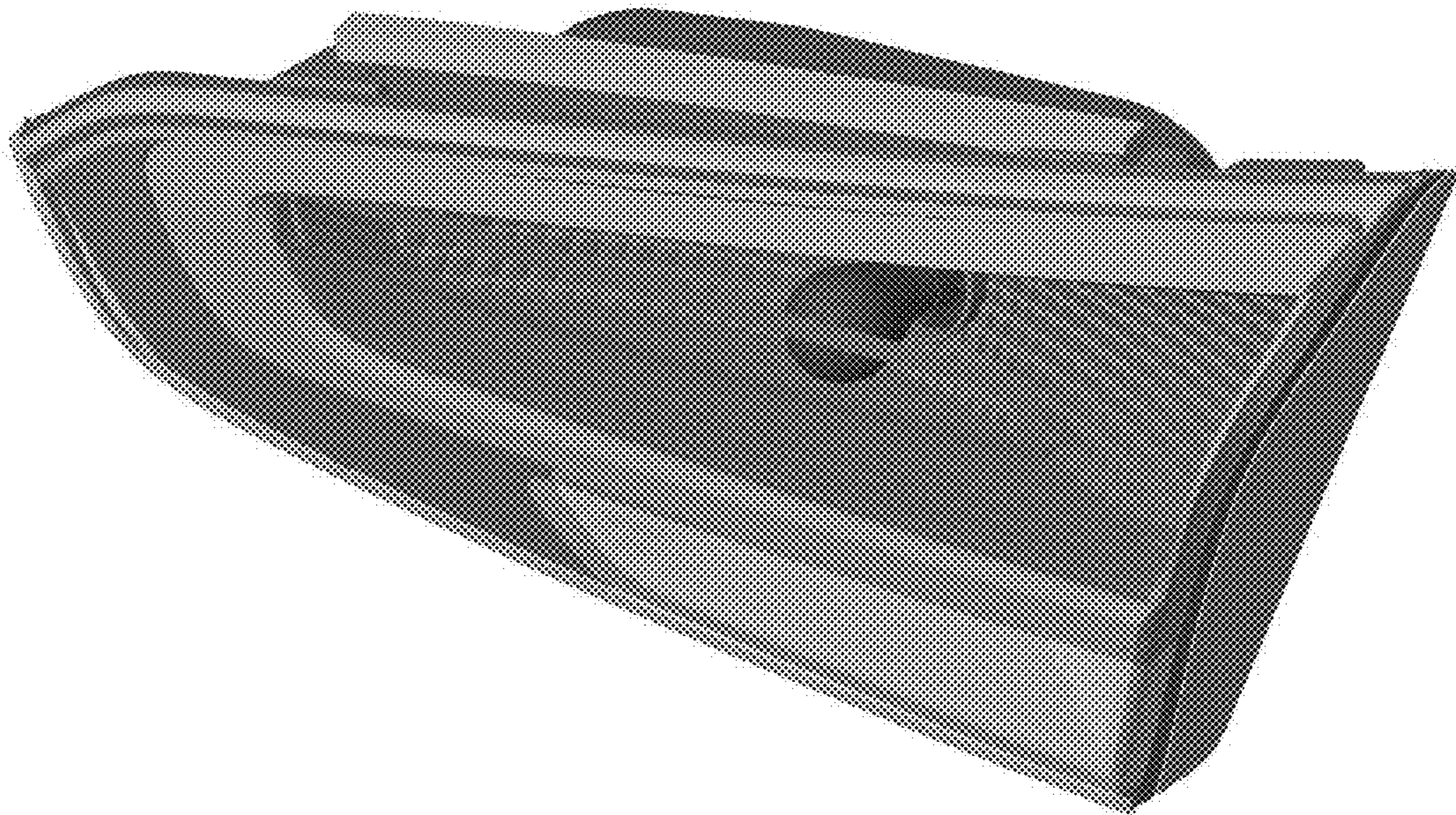
**U.S. PATENT DOCUMENTS**

D526,427 S \* 8/2006 Morioka ..... D26/28  
D595,880 S \* 7/2009 Lamm ..... D26/28

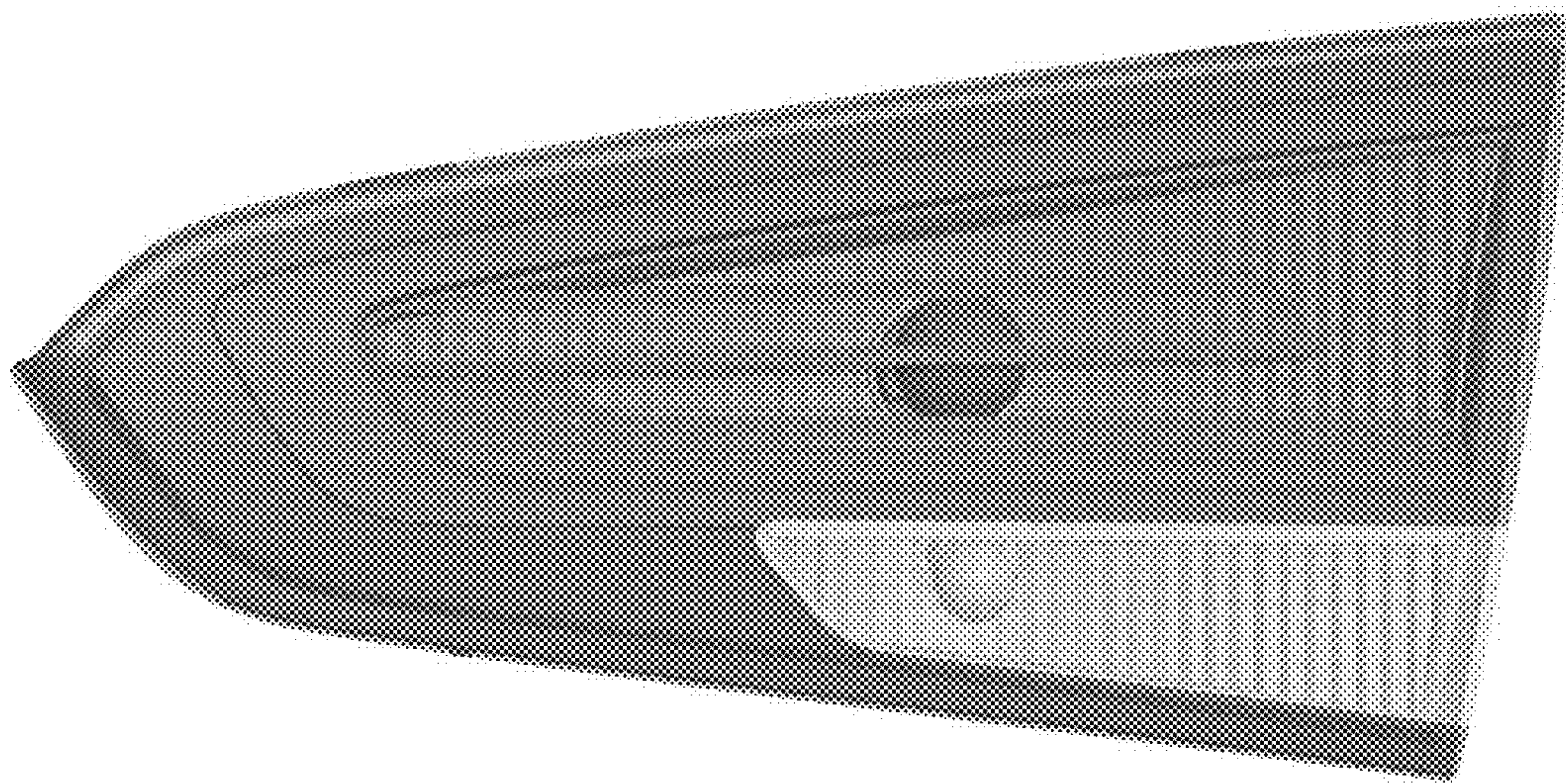
**1 Claim, 7 Drawing Sheets**



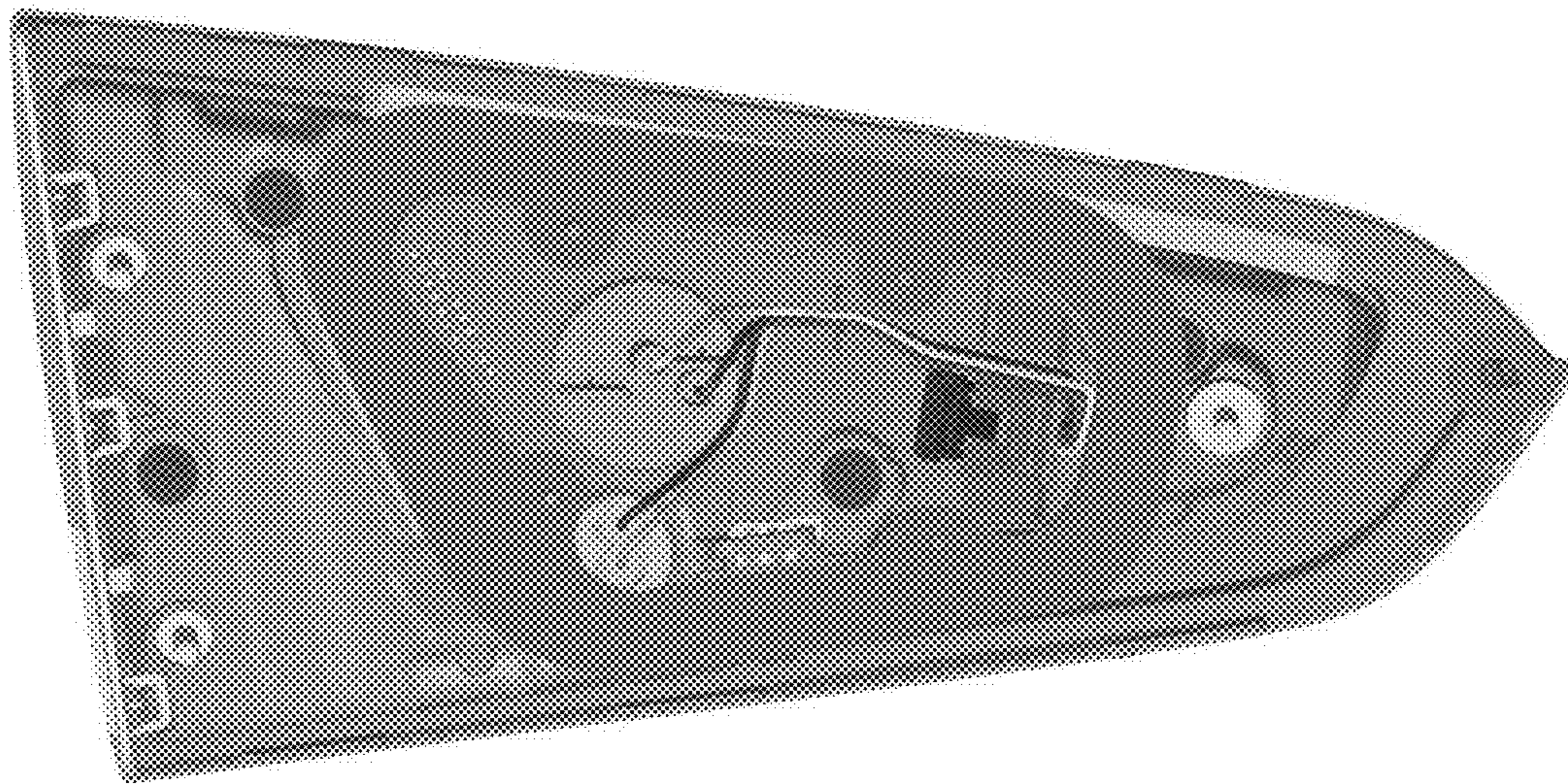
**FIG. 1**



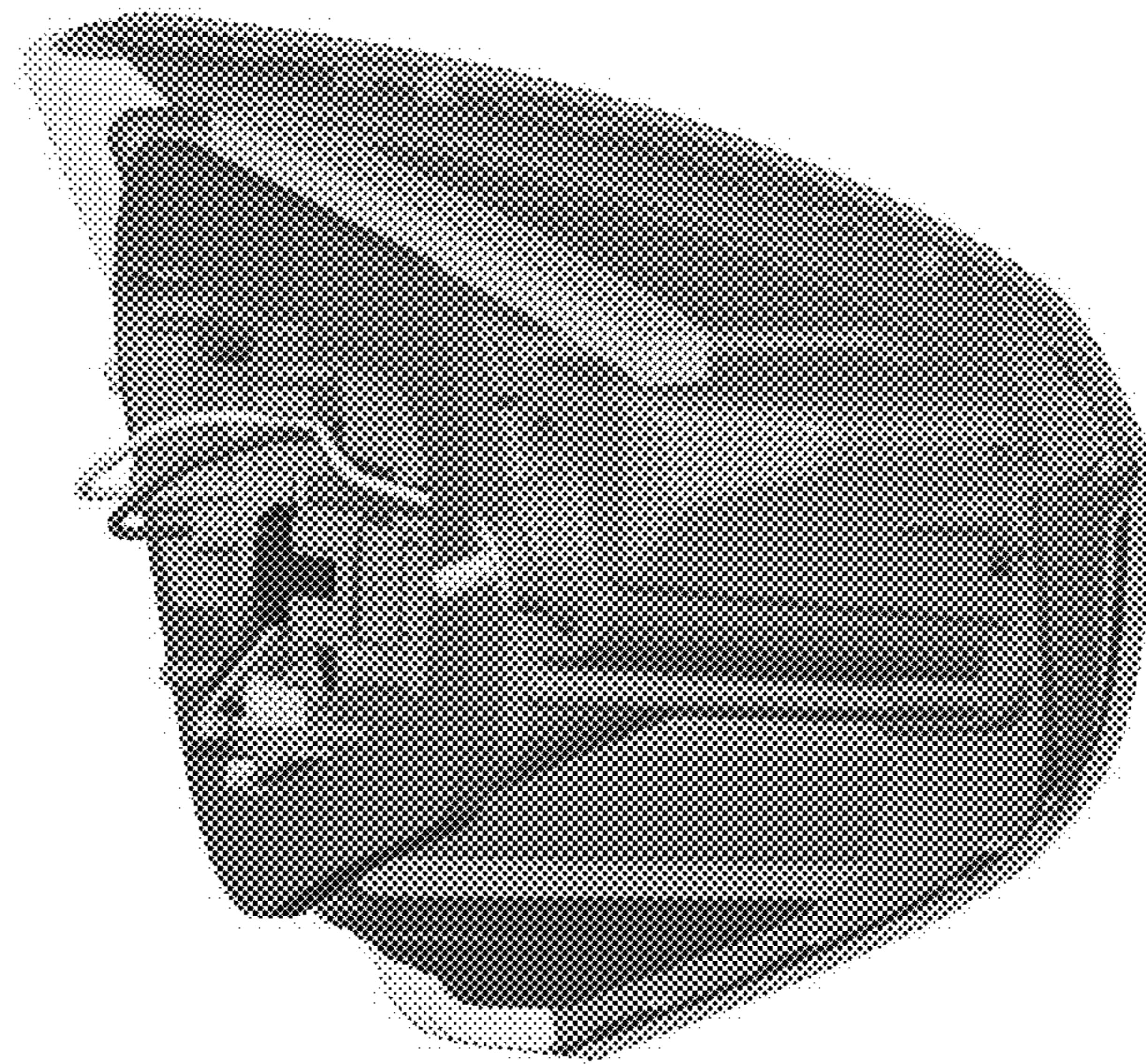
**FIG. 2**



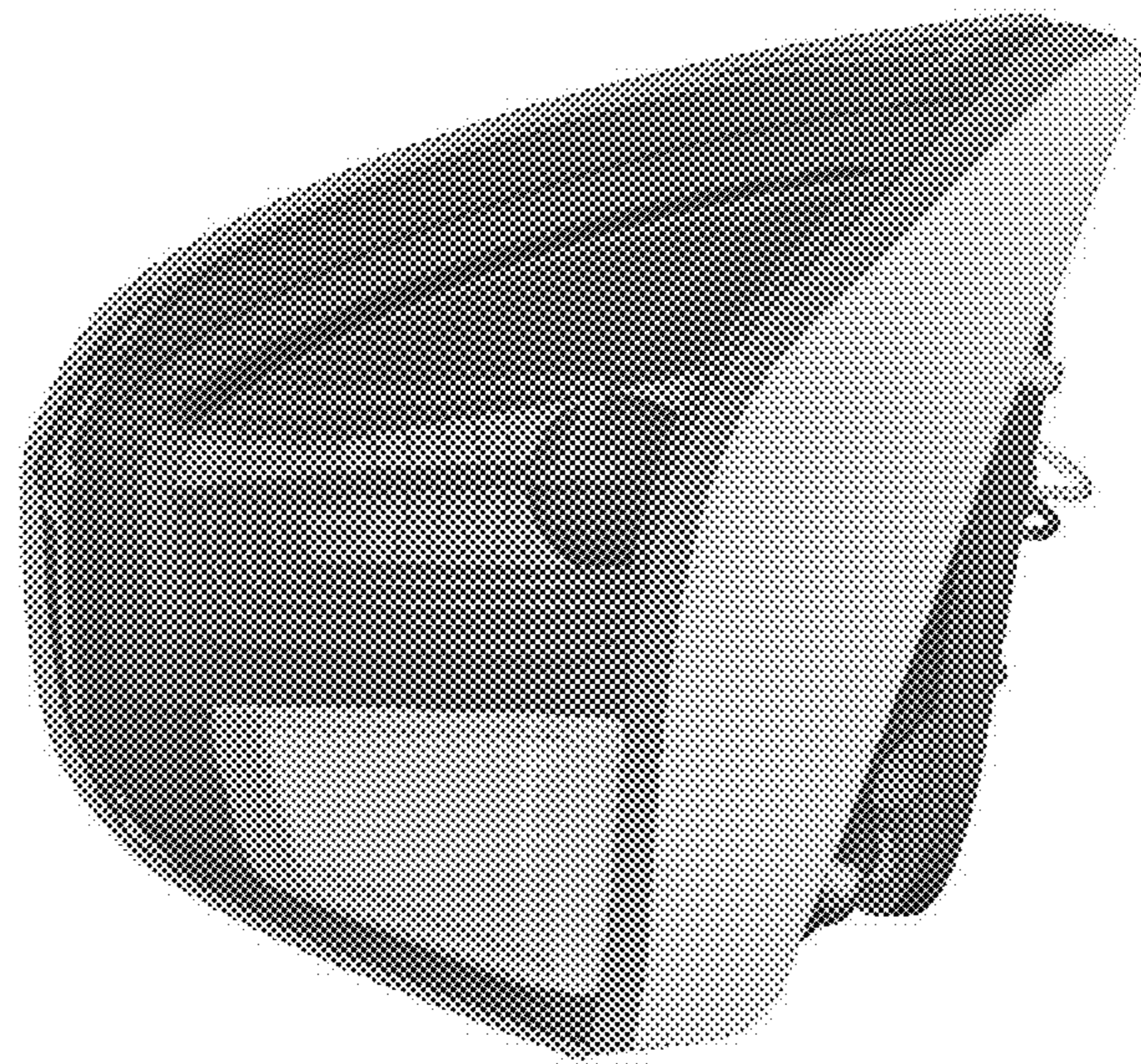
**FIG. 3**



**FIG. 4**



**FIG. 5**



**FIG. 6**

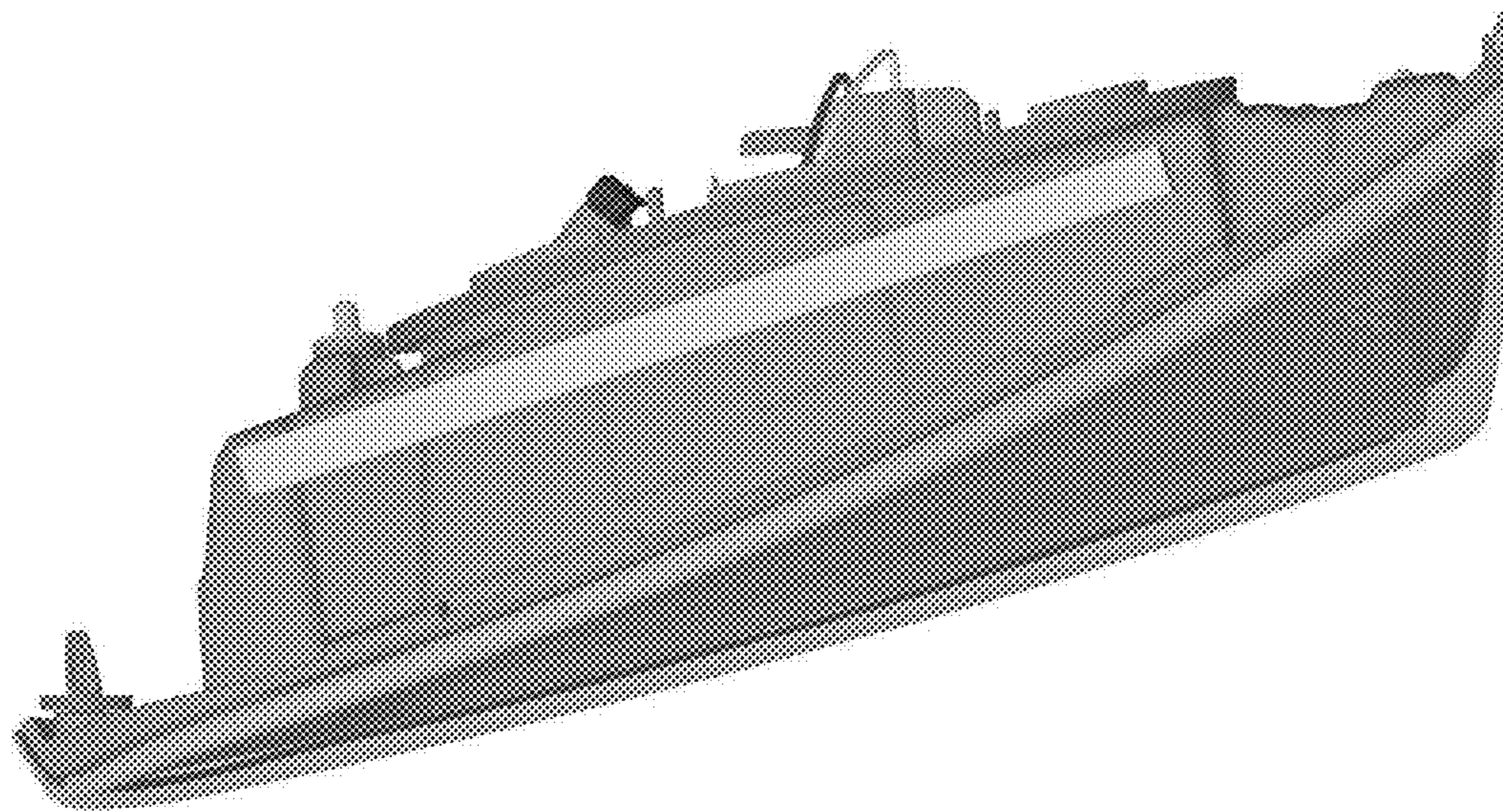


FIG. 7

