



US00D785833S

(12) **United States Design Patent**
Lee et al.

(10) **Patent No.:** **US D785,833 S**

(45) **Date of Patent:** **** May 2, 2017**

(54) **HEAD LAMP FOR AN AUTOMOBILE**

D528,231 S * 9/2006 Ikeda D26/28
D535,409 S * 1/2007 Yamaguchi D26/28
D544,614 S * 6/2007 Markefka D26/28

(71) Applicant: **Kia Motors Corporation**, Seoul (KR)

* cited by examiner

(72) Inventors: **Soon Il Lee**, Gyeonggi-do (KR); **Ju Young Kim**, Gyeonggi-do (KR)

Primary Examiner — Marcus Jackson

(73) Assignee: **Kia Motors Corporation**, Seoul (KR)

(74) *Attorney, Agent, or Firm* — Mintz Levin Cohn Ferris Glovsky and Popeo, P.C.; Kongsik Kim

(**) Term: **15 Years**

(21) Appl. No.: **29/557,653**

(57) **CLAIM**

(22) Filed: **Mar. 10, 2016**

The ornamental design for a head lamp for an automobile, as shown and described.

(30) **Foreign Application Priority Data**

Sep. 23, 2015 (KR) 30-2015-0048299

(51) **LOC (10) Cl.** **26-06**

DESCRIPTION

(52) **U.S. Cl.**
USPC **D26/28**

(58) **Field of Classification Search**
USPC D26/28-36; 362/80-83, 267-269,
362/459-468, 475-478, 485-487
CPC F21S 48/00; F21S 48/10; F21S 48/115;
F21S 48/225; F21S 48/1233; F21S
48/1266; F21S 48/1388; F21S 48/2268;
F21V 21/04

FIG. 1 is a perspective view of a head lamp for an automobile according to the present invention.
FIG. 2 is a front view of the head lamp for an automobile of FIG. 1.
FIG. 3 is a rear view of the head lamp for an automobile of FIG. 1.
FIG. 4 is a left side view of the head lamp for an automobile of FIG. 1.
FIG. 5 is a right side view of the head lamp for an automobile of FIG. 1.
FIG. 6 is a top view of the head lamp for an automobile of FIG. 1; and,
FIG. 7 is a bottom view of the head lamp for an automobile of FIG. 1.

See application file for complete search history.

(56) **References Cited**

1 Claim, 7 Drawing Sheets

U.S. PATENT DOCUMENTS

D508,136 S * 8/2005 Pfeiffer D26/28
D518,581 S * 4/2006 Osawa D26/28

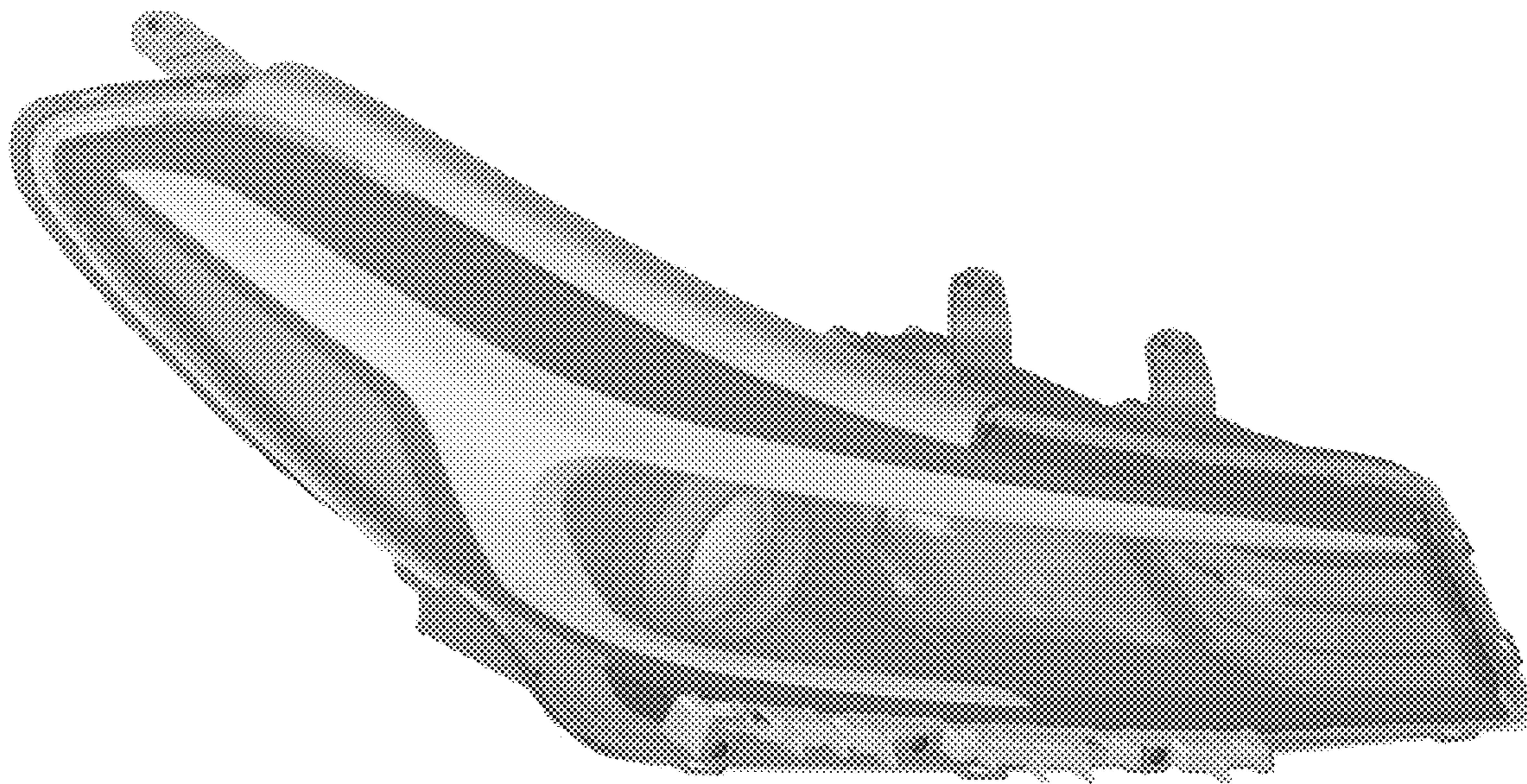


FIG. 1

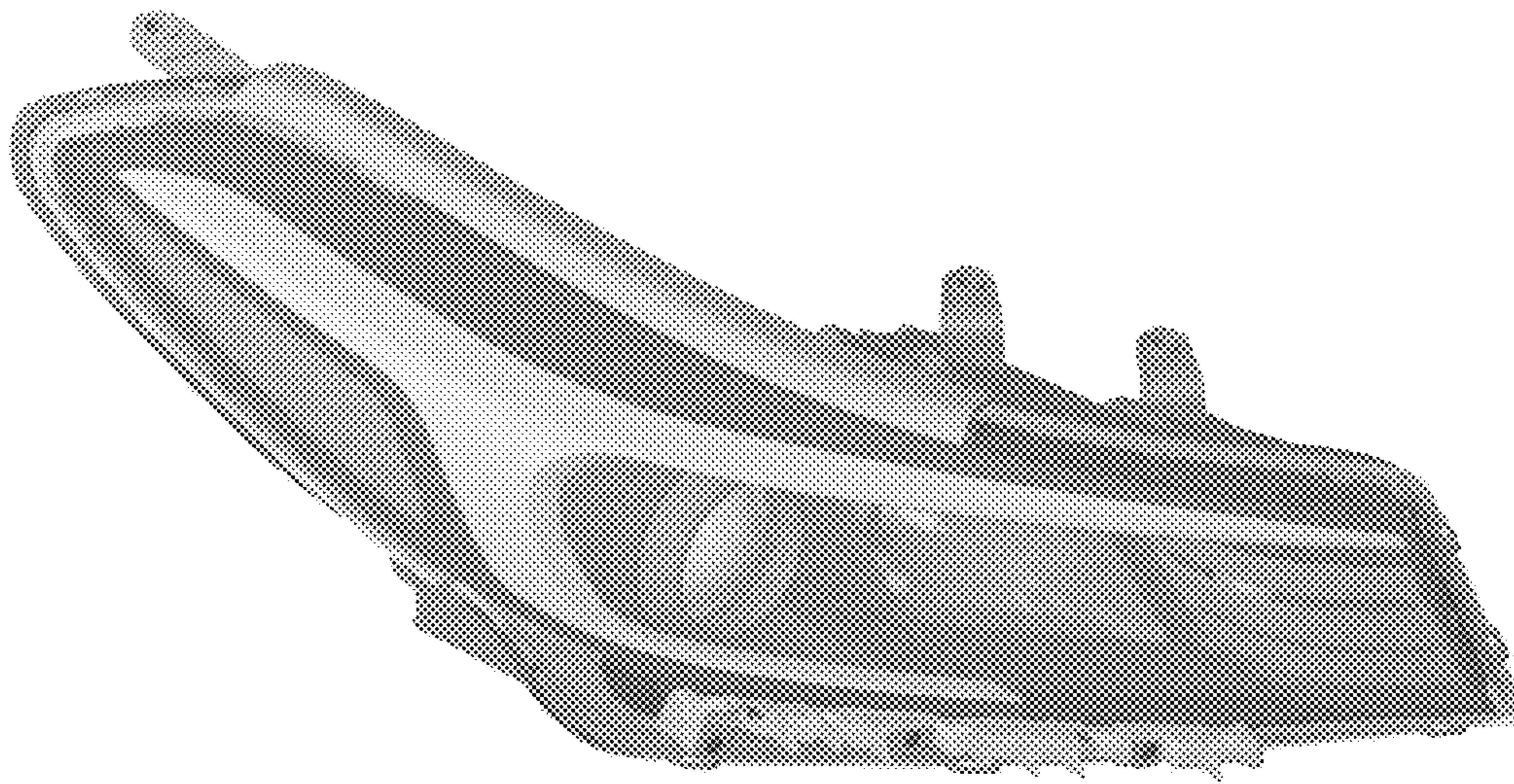


FIG. 2

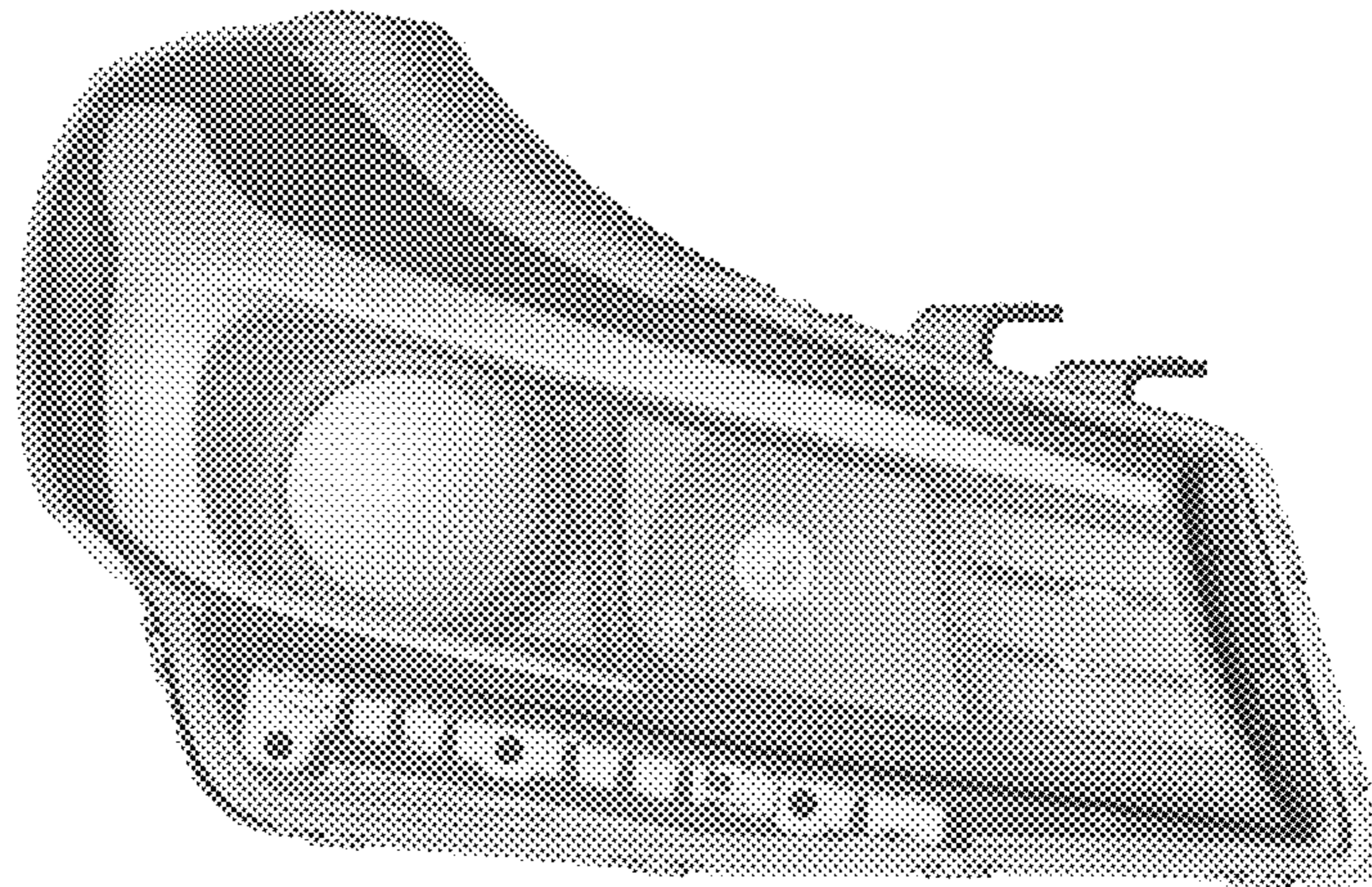


FIG. 3

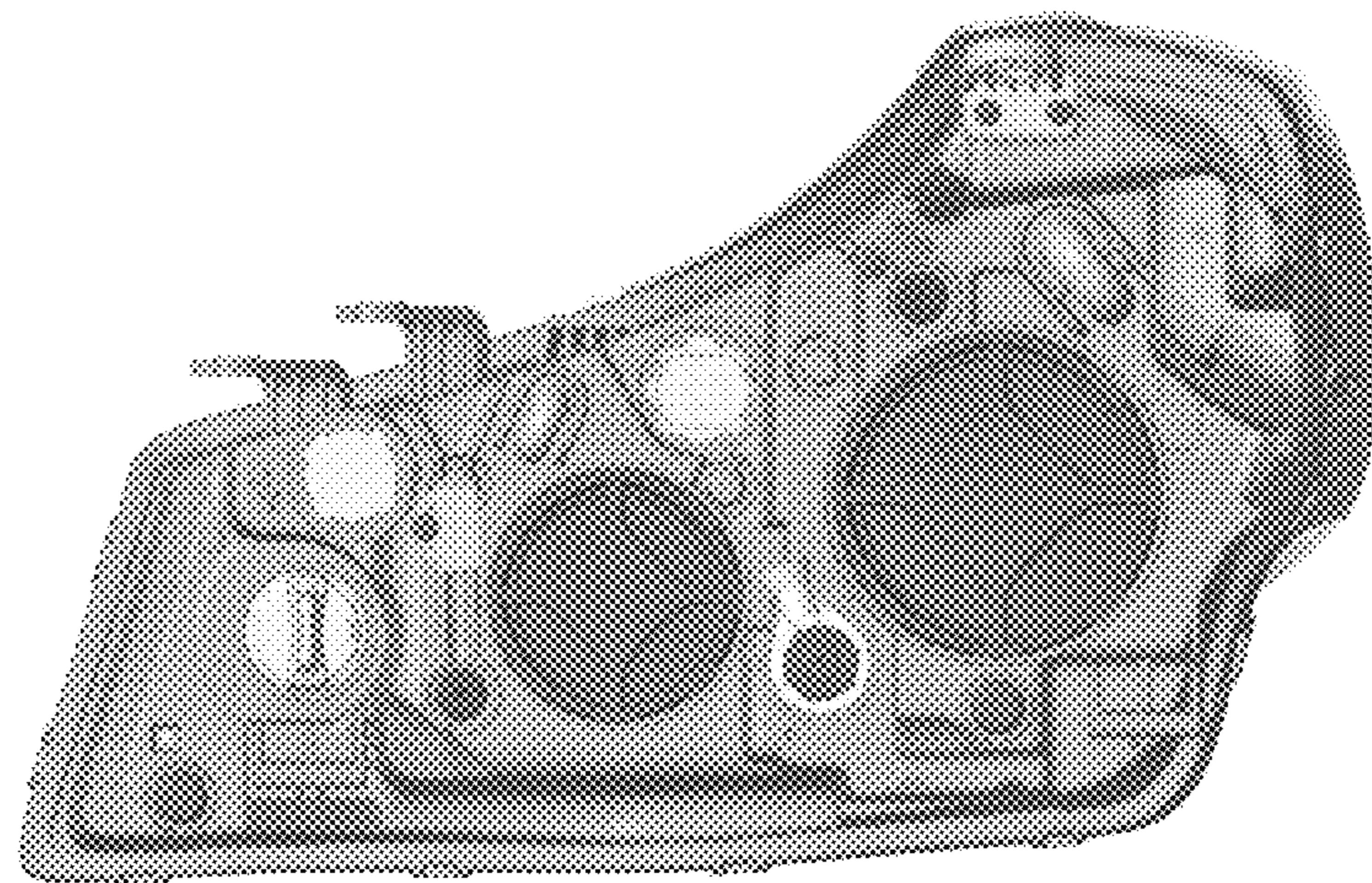


FIG. 4

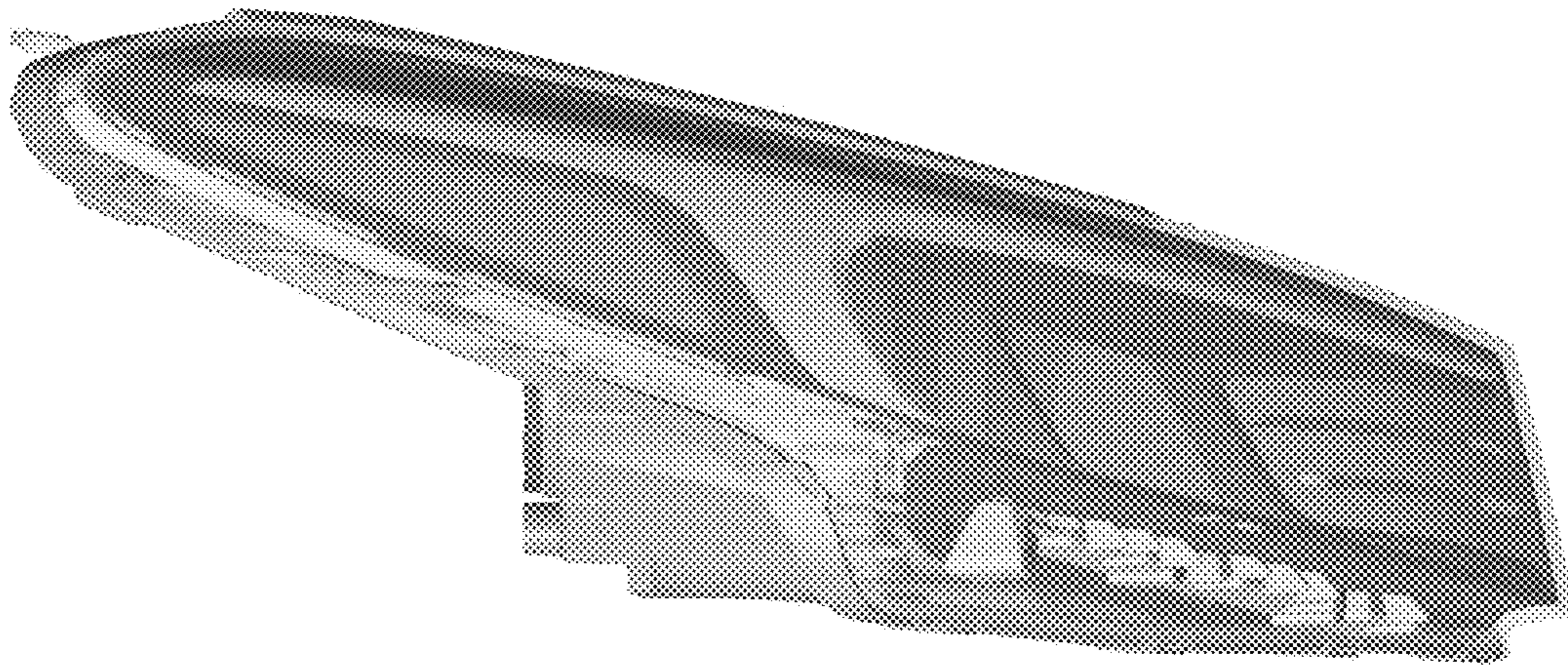


FIG. 5

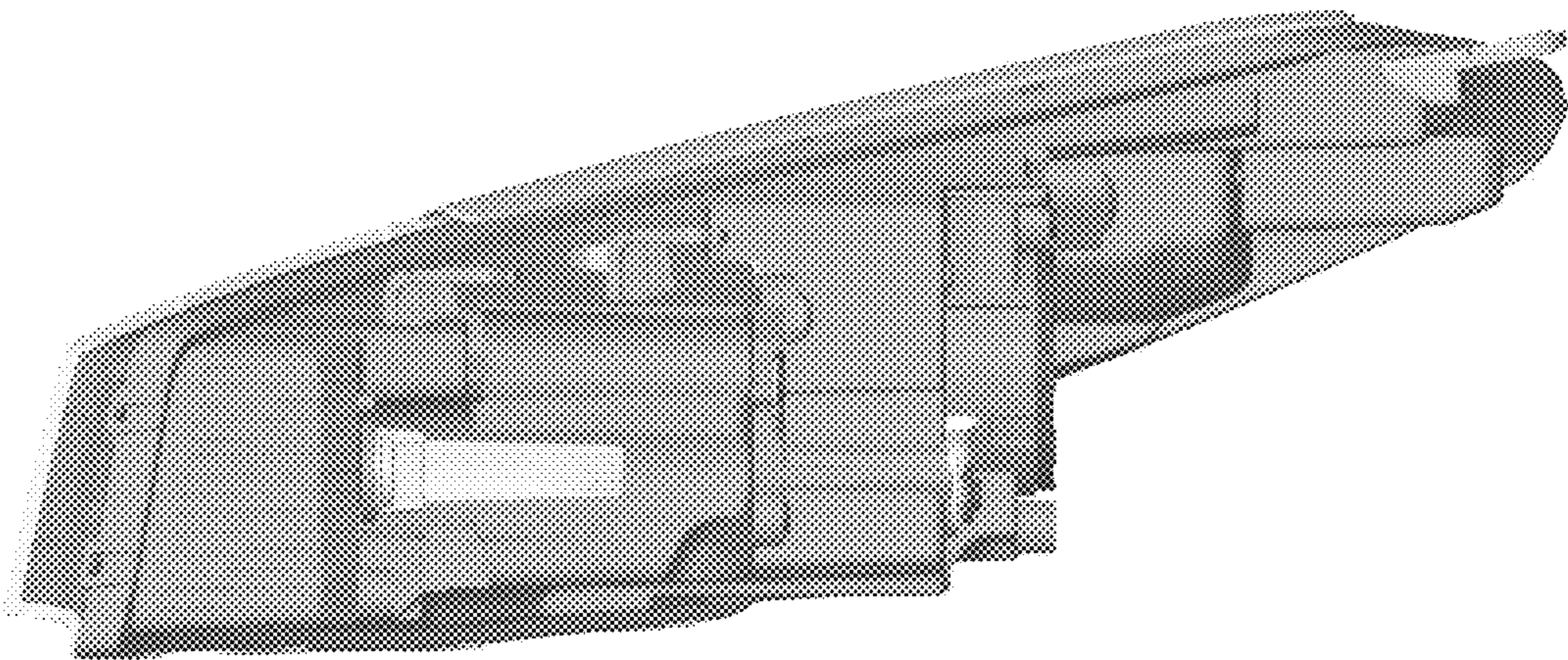


FIG. 6

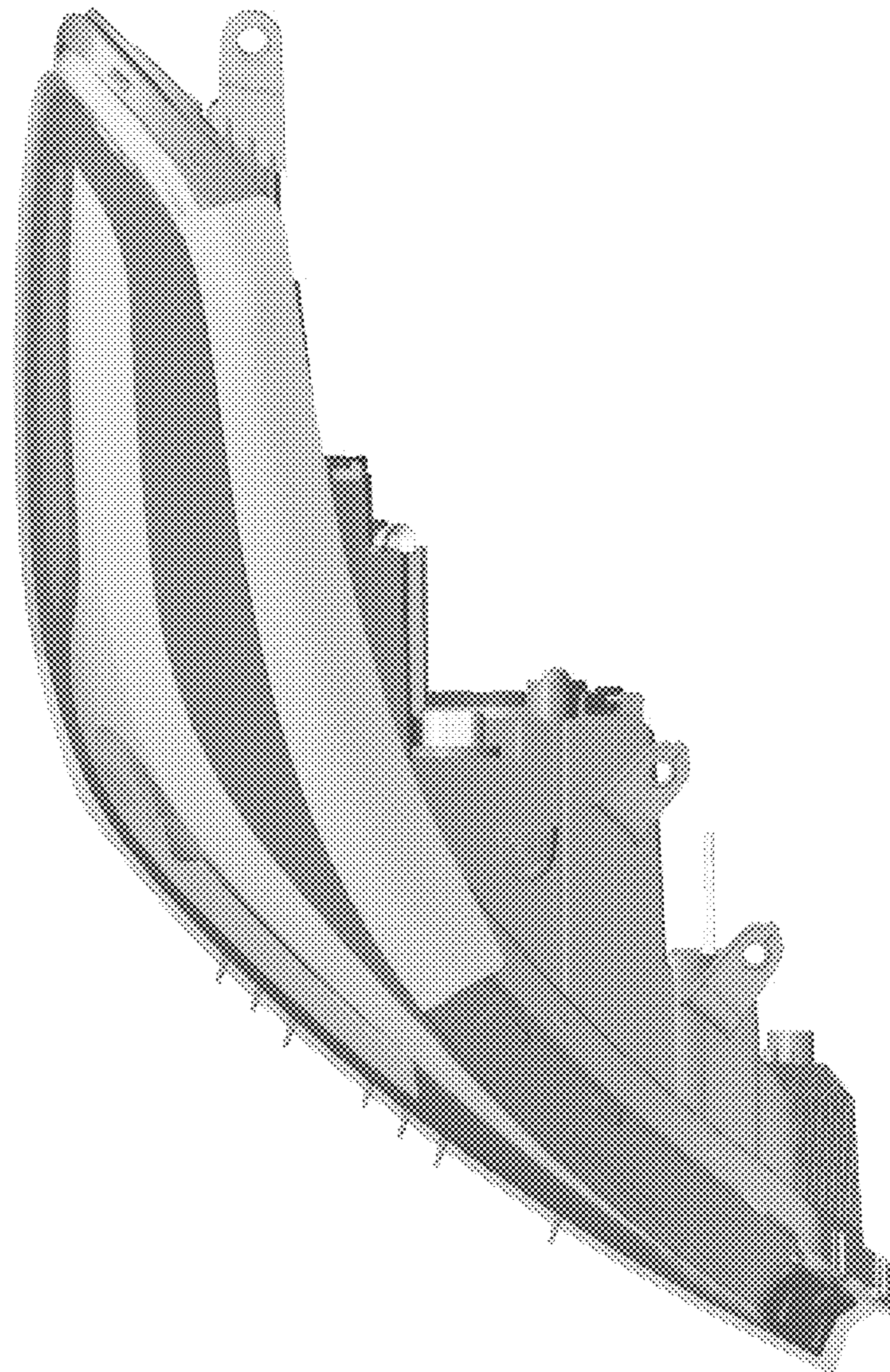


FIG. 7

