



US00D785828S

(12) **United States Design Patent** (10) **Patent No.:** **US D785,828 S**
Peng (45) **Date of Patent:** **** May 2, 2017**

(54) **SIDELAMP FOR A BOAT**
(71) Applicant: **I-Sin Peng**, Taichung (TW)
(72) Inventor: **I-Sin Peng**, Taichung (TW)
(73) Assignee: **I-Sing Peng**, Taichung (TW)
(**) Term: **15 Years**
(21) Appl. No.: **29/555,164**
(22) Filed: **Feb. 19, 2016**
(51) **LOC (10) Cl.** **26-06**
(52) **U.S. Cl.**
USPC **D26/28**
(58) **Field of Classification Search**
USPC D26/28-36; 362/80-83, 267-269,
362/459-468, 475-478, 485-487
CPC F21S 48/00; F21S 48/10; F21S 48/115;
F21S 48/1233; F21S 48/1266; F21S
48/1388; F21S 48/2268; F21V 21/02;
F21V 21/04
See application file for complete search history.

D544,113 S * 6/2007 Ueda D26/28
D575,424 S * 8/2008 Gebhard D26/28
D582,084 S * 12/2008 Gebhard D26/28
D665,113 S * 8/2012 Perkins D26/28

* cited by examiner

Primary Examiner — Marcus Jackson

(74) *Attorney, Agent, or Firm* — Yuwen Guo

(57) **CLAIM**

The ornamental design for a sidelamp for a boat, as shown and described.

DESCRIPTION

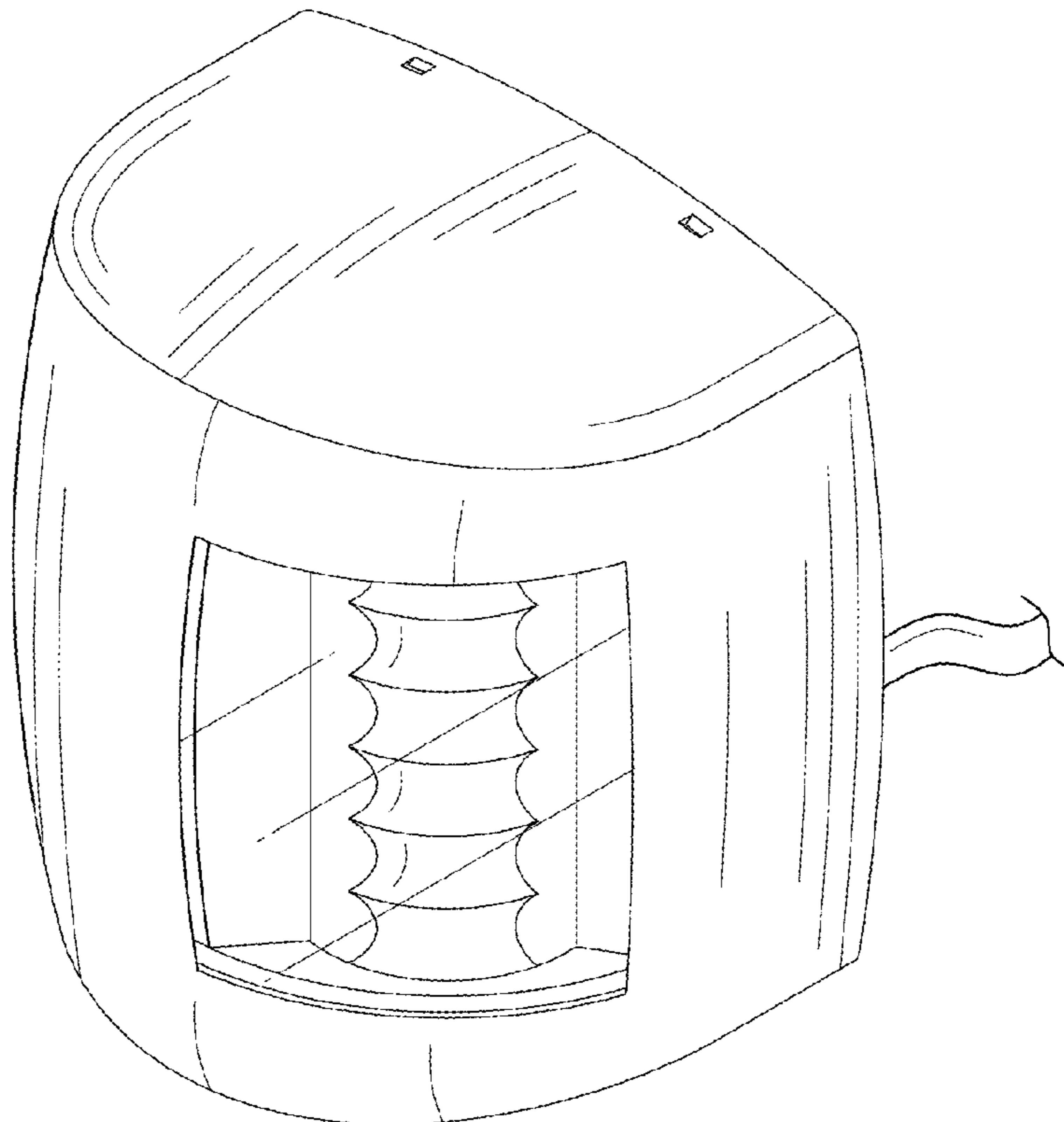
FIG. 1 is a perspective view of a sidelamp for a boat, showing my new design, with the wire broken away to indicated indeterminate length;
FIG. 2 is a front elevation view of the sidelamp;
FIG. 3 is a rear elevation view of the sidelamp;
FIG. 4 is a right-side elevation view of the sidelamp;
FIG. 5 is a left-side elevation view of the sidelamp;
FIG. 6 is a top plan view of the sidelamp;
FIG. 7 is a bottom plan view of the sidelamp;
FIG. 8 is a perspective view of the sidelamp mounted on the left side of the boat; and,
FIG. 9 is a perspective view of the sidelamp mounted on the right side of the boat.
The broken line showing of structural features is included for the purpose of illustrating non-claim subject matter and forms no part of the claimed design.

(56) **References Cited**

U.S. PATENT DOCUMENTS

D515,228 S * 2/2006 Gebhard D26/28
D532,126 S * 11/2006 Kinzel D26/28

1 Claim, 9 Drawing Sheets



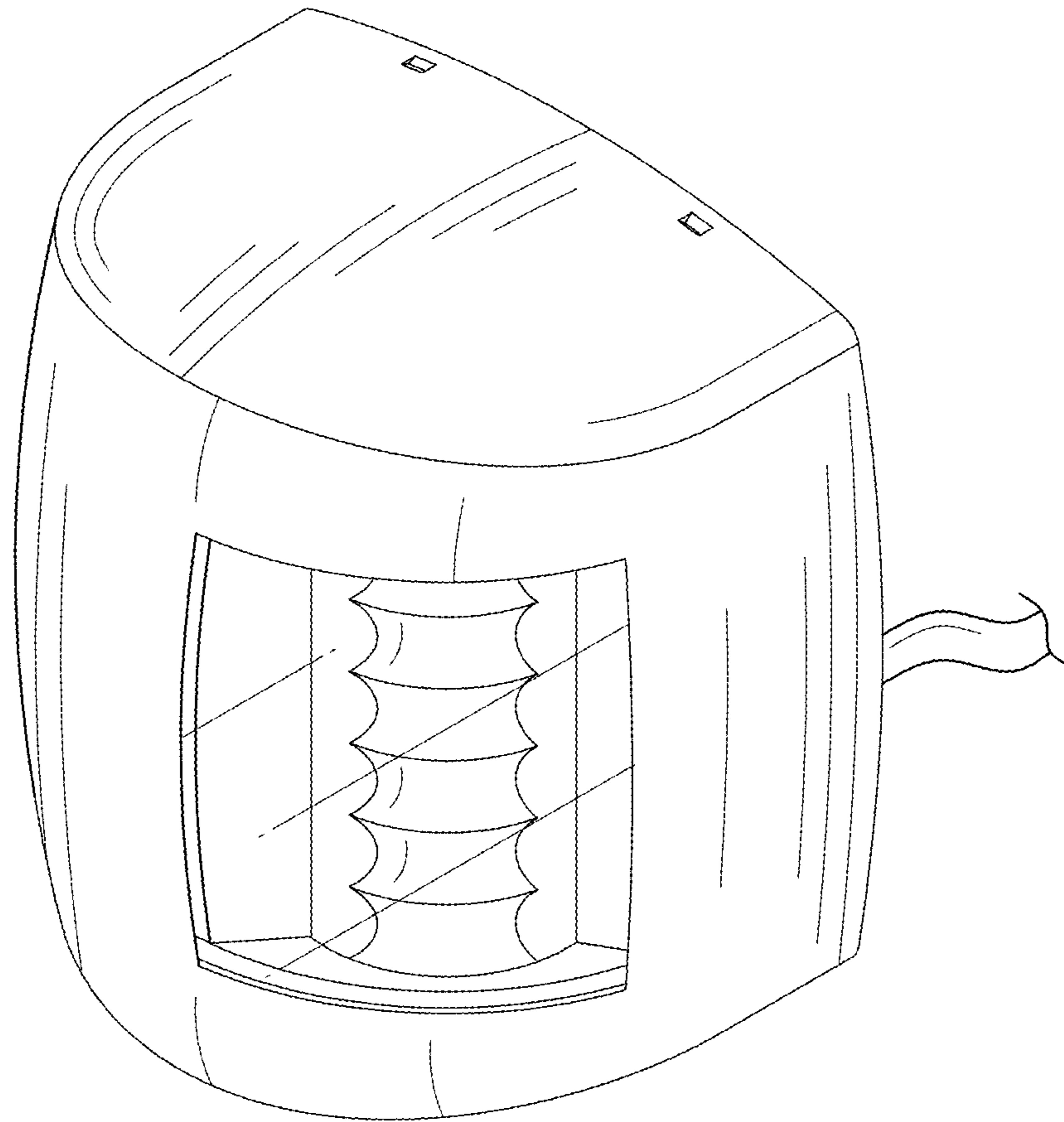


FIG. 1

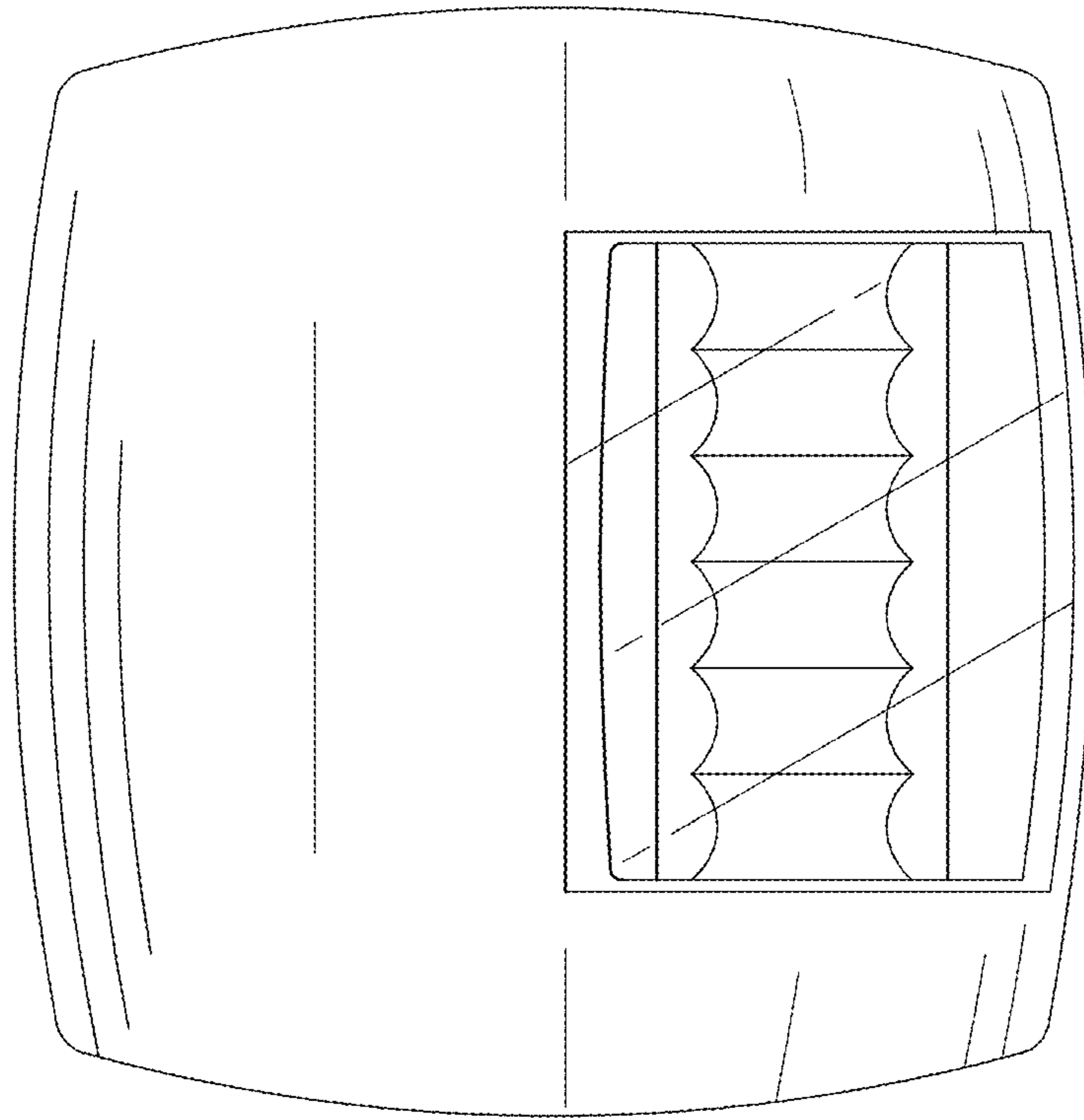


FIG. 2

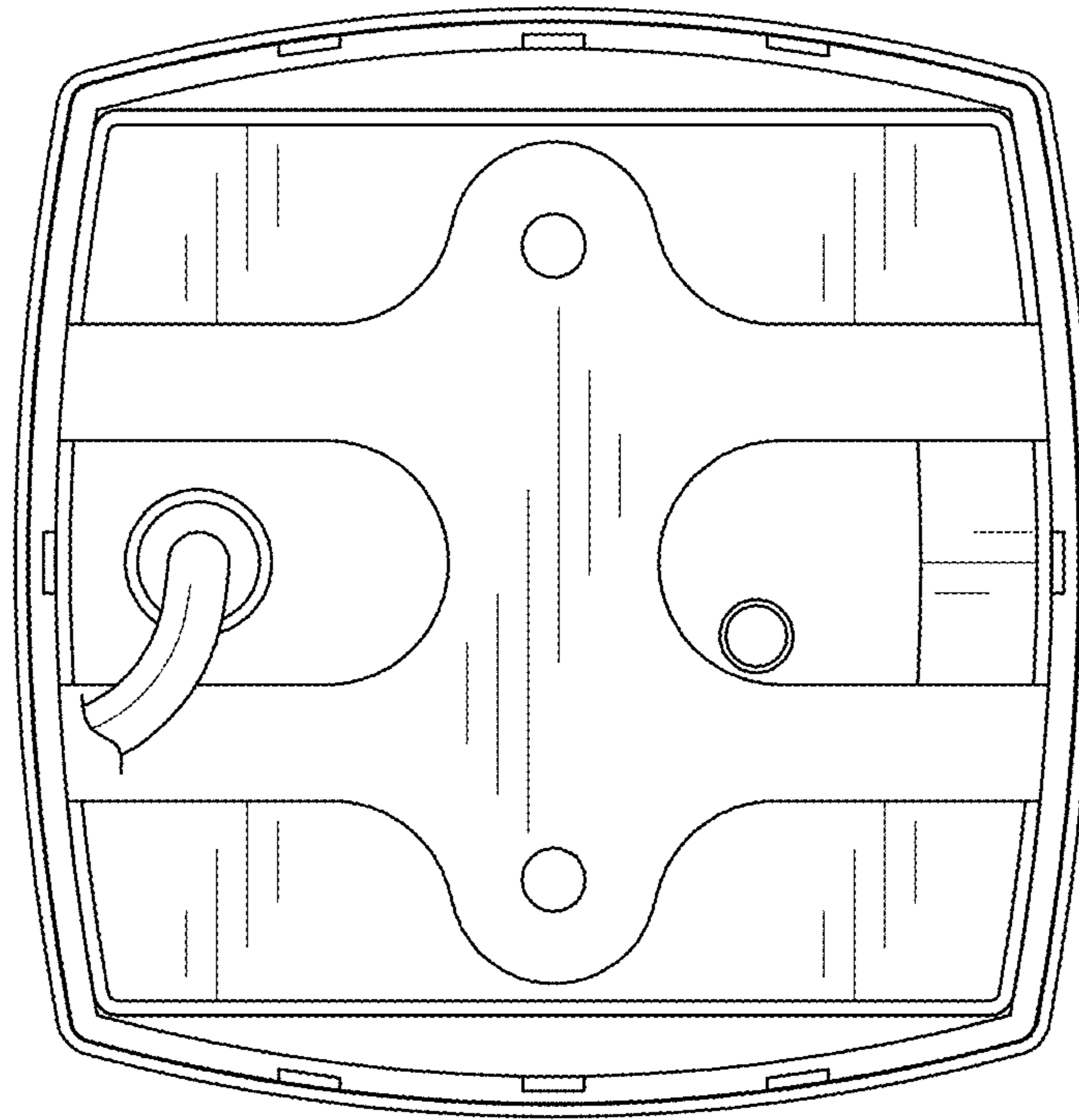


FIG. 3

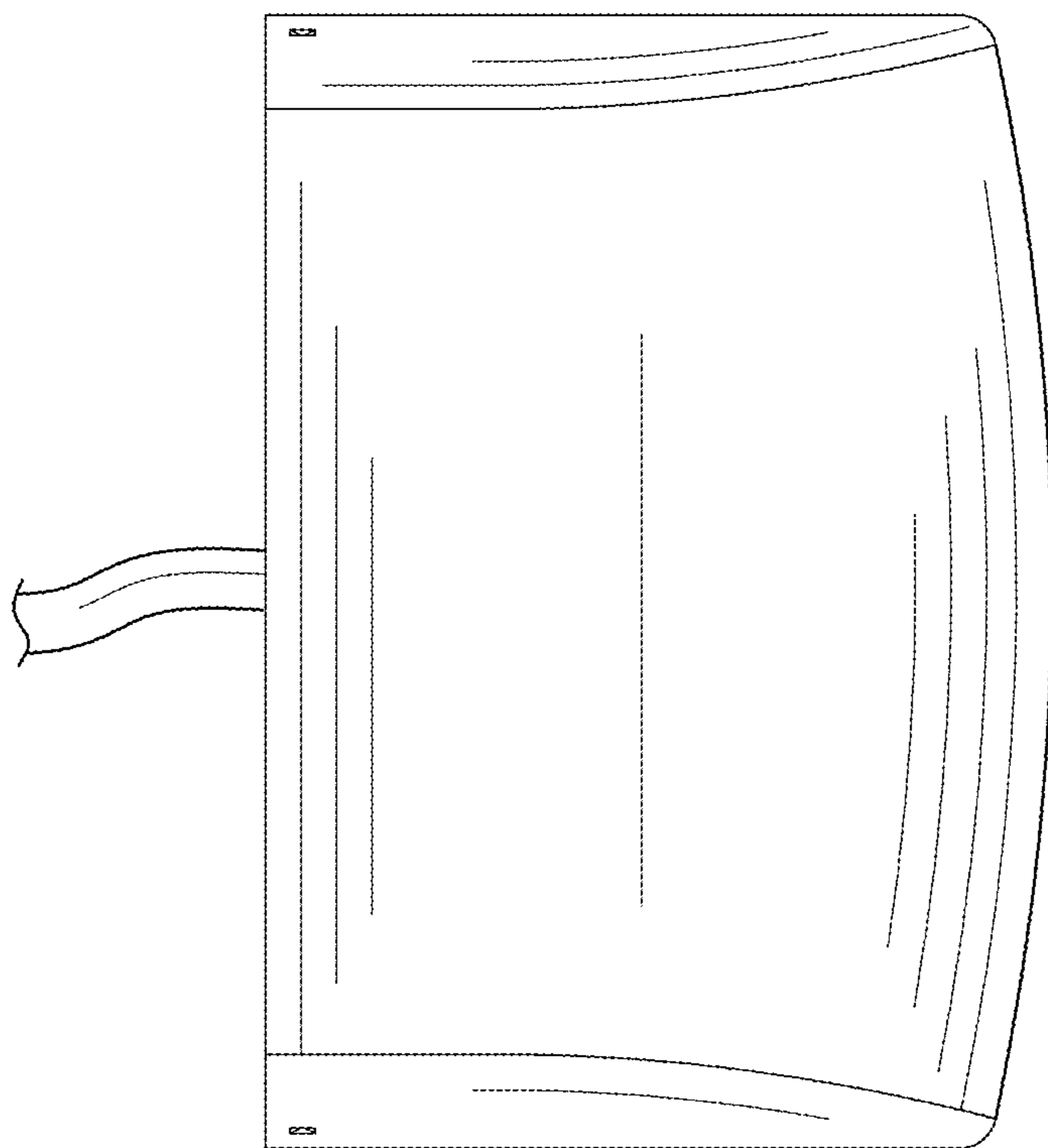


FIG. 4

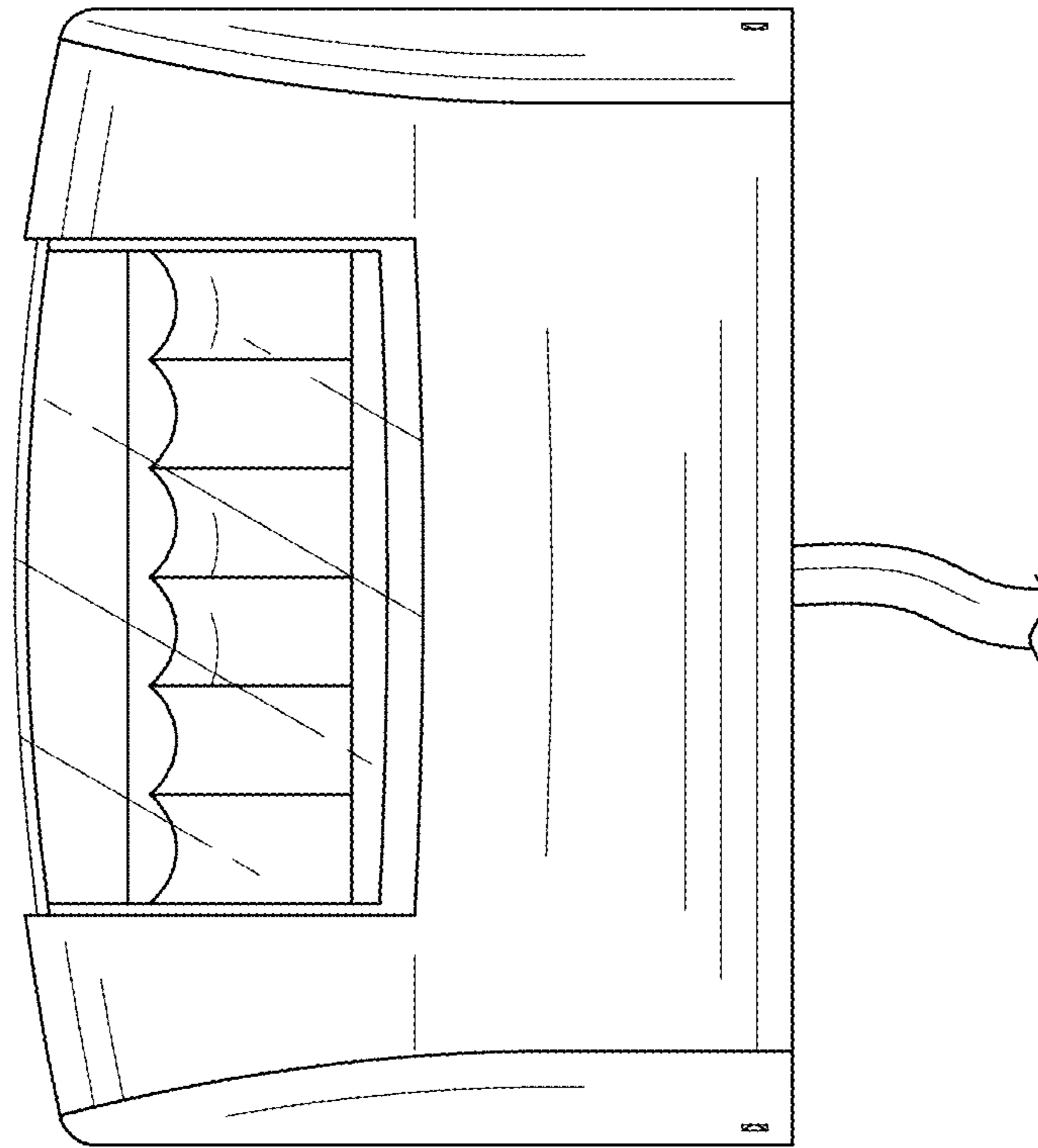


FIG. 5

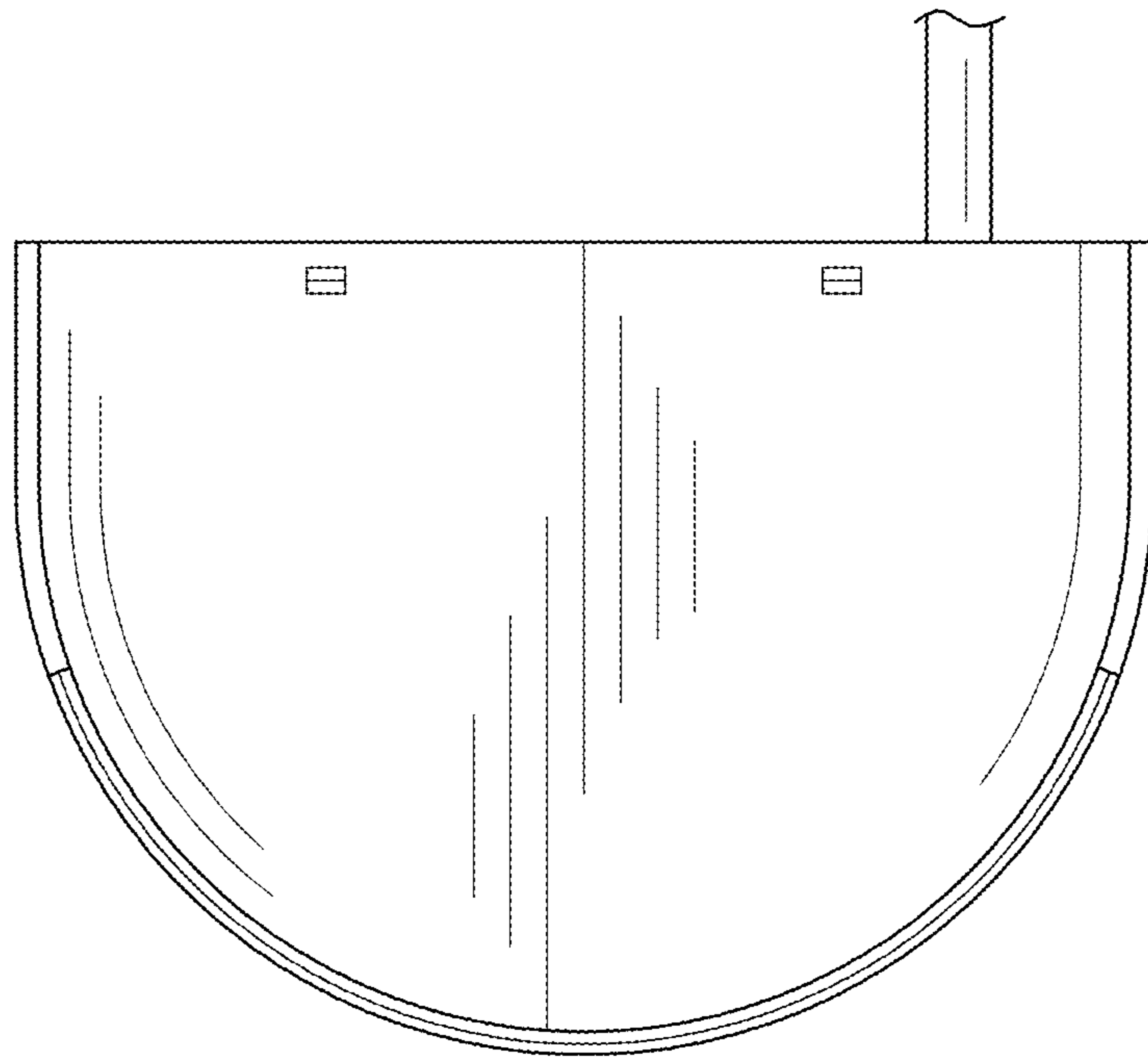


FIG. 6

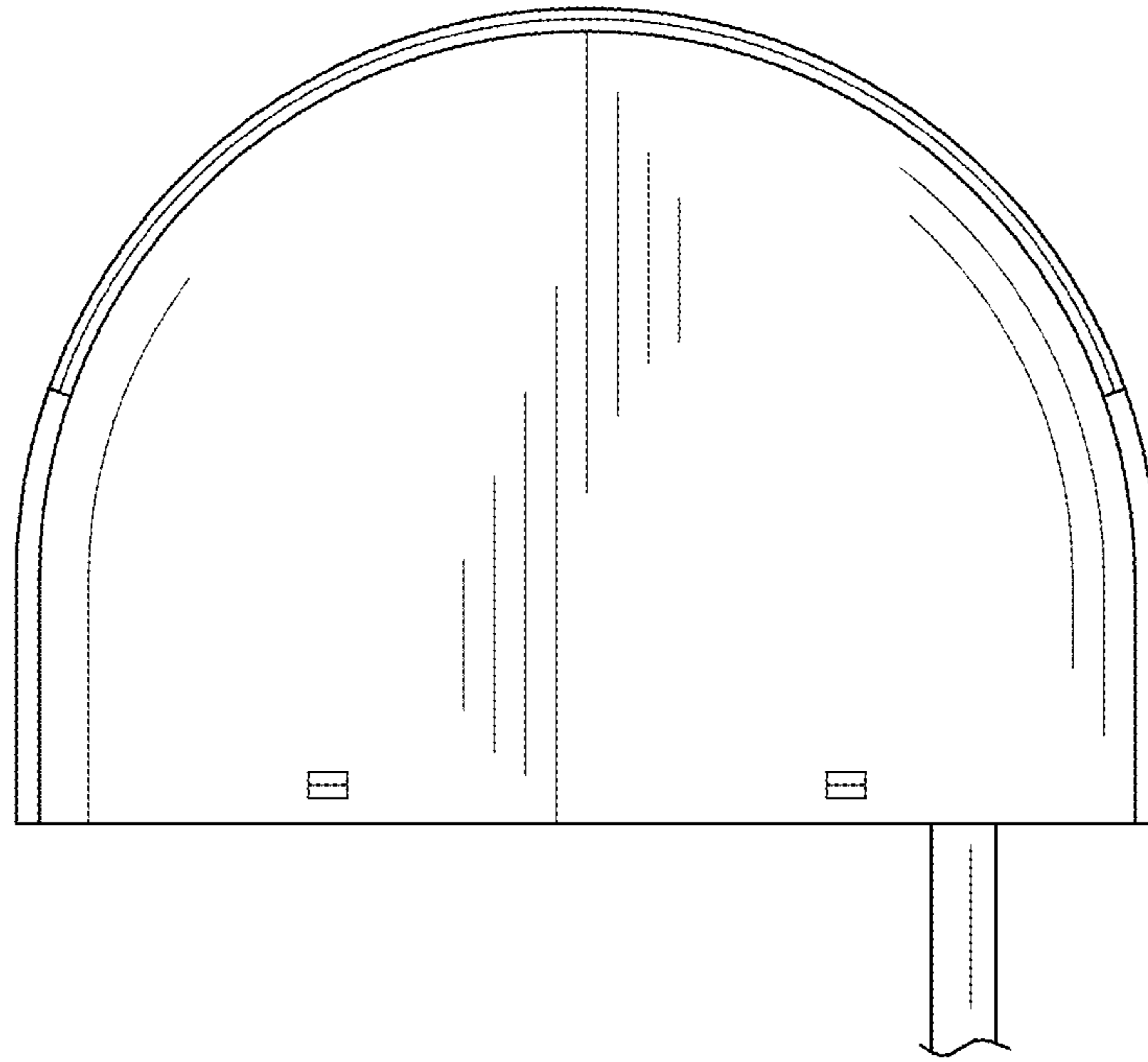


FIG. 7

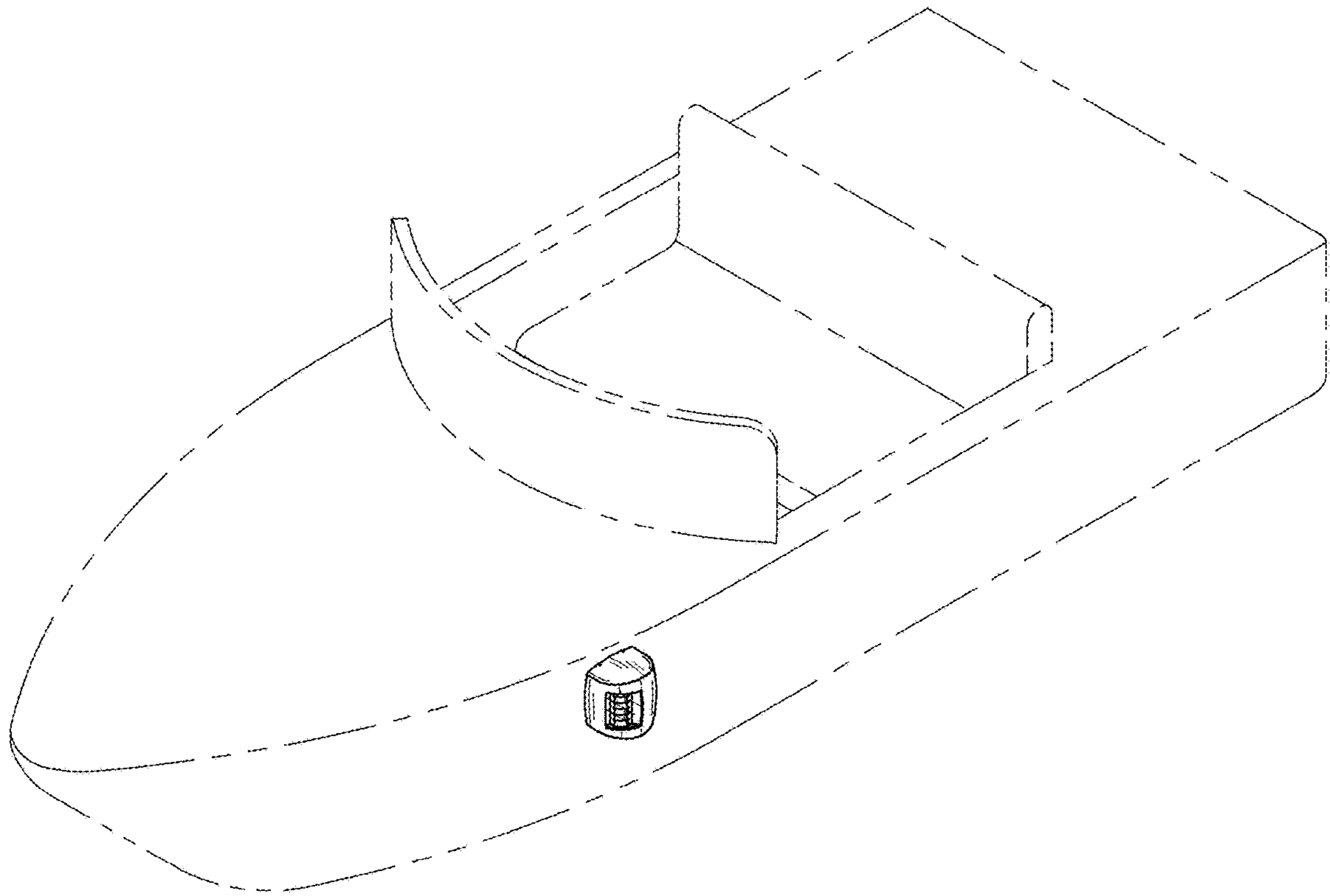


FIG. 8

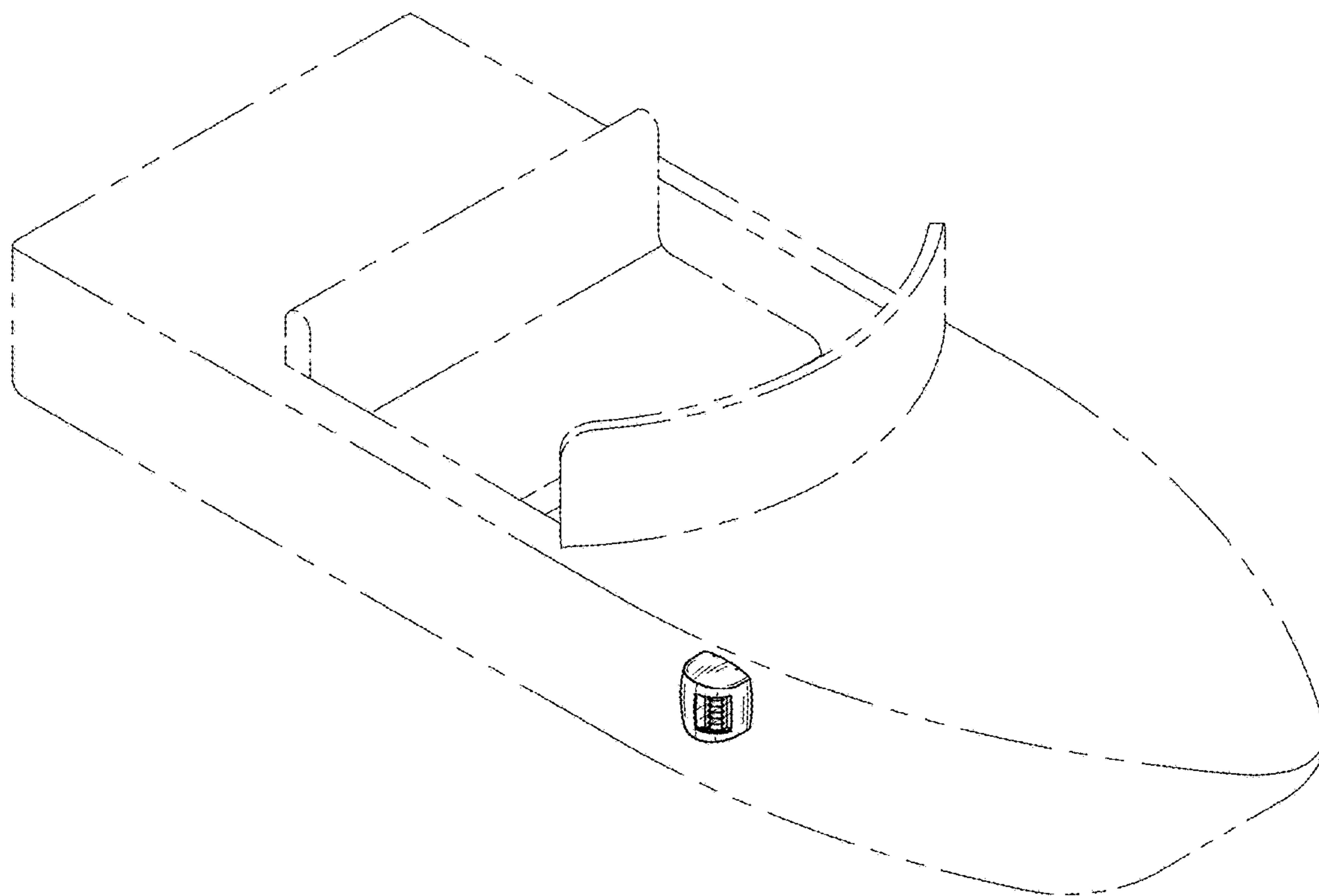


FIG. 9